



US00D413189S

United States Patent [19] Conti

[11] **Patent Number: Des. 413,189**

[45] **Date of Patent: ** Aug. 24, 1999**

[54] **WHEELED CONTAINER**

[75] Inventor: **Rino Conti**, Stoughton, Mass.

[73] Assignee: **Holiday Housewares, Inc.**, Leominster, Mass.

[**] Term: **14 Years**

[21] Appl. No.: **29/092,257**

[22] Filed: **Aug. 14, 1998**

[51] **LOC (6) Cl.** **09-09**

[52] **U.S. Cl.** **D34/5**

[58] **Field of Search** D34/1-11; 280/47.26;
220/908, 909, 910, 911, 675

[56] **References Cited**

U.S. PATENT DOCUMENTS

D. 218,359	8/1970	Marsh	D49/35
D. 231,184	4/1974	Brown et al.	D7/189
D. 256,423	8/1980	Bacskey et al.	280/47.26 X
D. 345,837	4/1994	Bean	D34/5
D. 355,514	2/1995	Breen	D34/1
D. 376,235	12/1996	Presnell	D34/1
1,014,475	1/1912	Holloway	.	
3,055,674	9/1962	Karwatt et al.	280/47.26
3,224,789	12/1965	Tessler et al.	280/47.26

3,346,271	10/1967	Parsons	280/33.99
3,366,397	1/1968	Zeilstra et al.	280/47.26
4,351,539	9/1982	Rodolakis	280/47.26
5,722,788	3/1998	Bent et al.	404/6
5,730,451	3/1998	Walker	280/47.26

Primary Examiner—Susan J. Lucas
Assistant Examiner—Cynthia E Ramirez
Attorney, Agent, or Firm—Pandiscio & Pandiscio

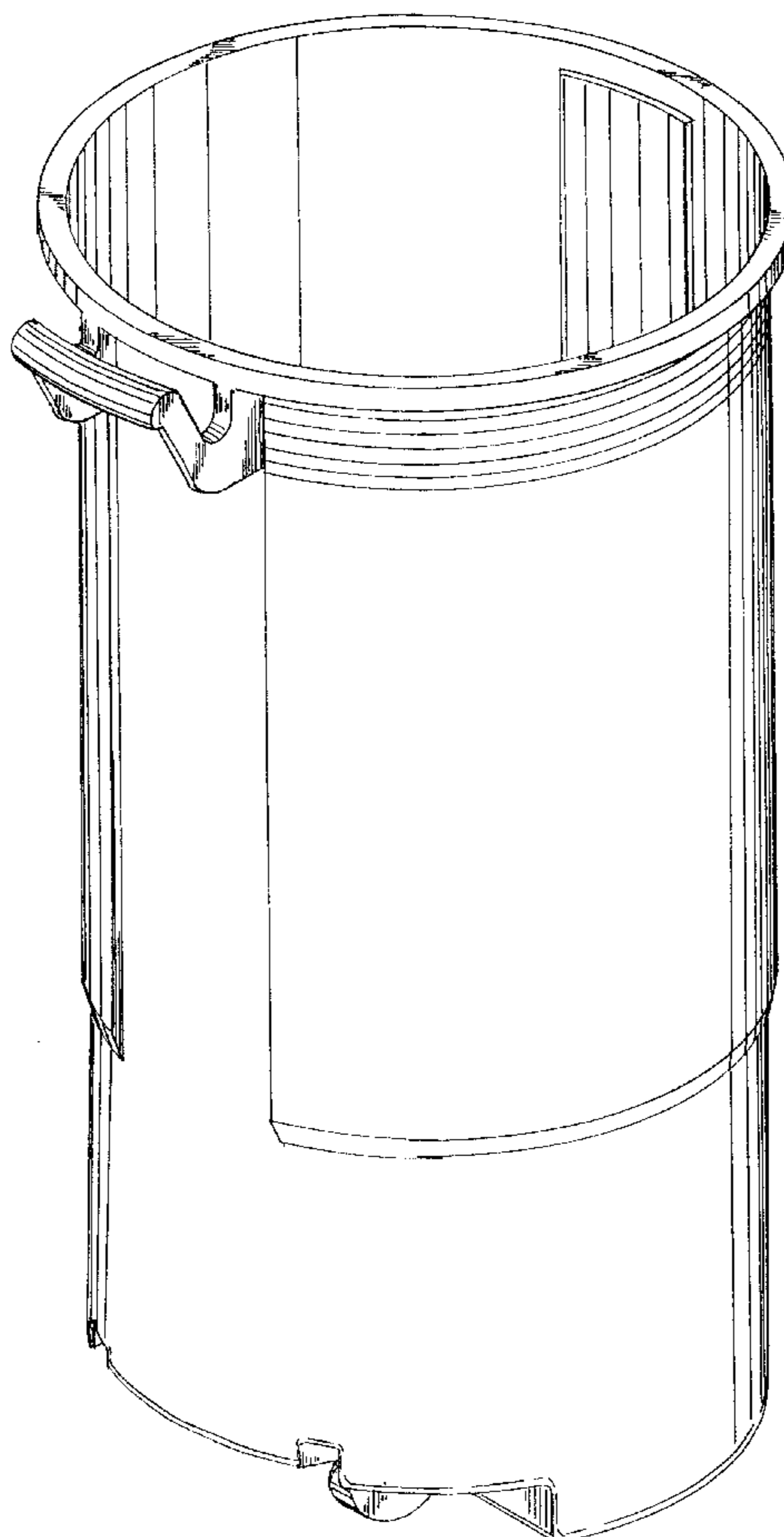
[57] **CLAIM**

The ornamental design for a wheeled container, as shown and described.

DESCRIPTION

FIG. 1 is a perspective view of a wheeled container incorporating the invention;
FIG. 2 is a front view in elevation of the same wheeled container;
FIG. 3 is a rear view in elevation of the same wheeled container;
FIG. 4 is a right side elevation of the wheeled container;
FIG. 5 is a top plan view of the same wheeled container; and,
FIG. 6 is a bottom plan view of the same wheeled container. The view of the wheeled container from the left-hand side is a mirror image of FIG. 4.

1 Claim, 6 Drawing Sheets



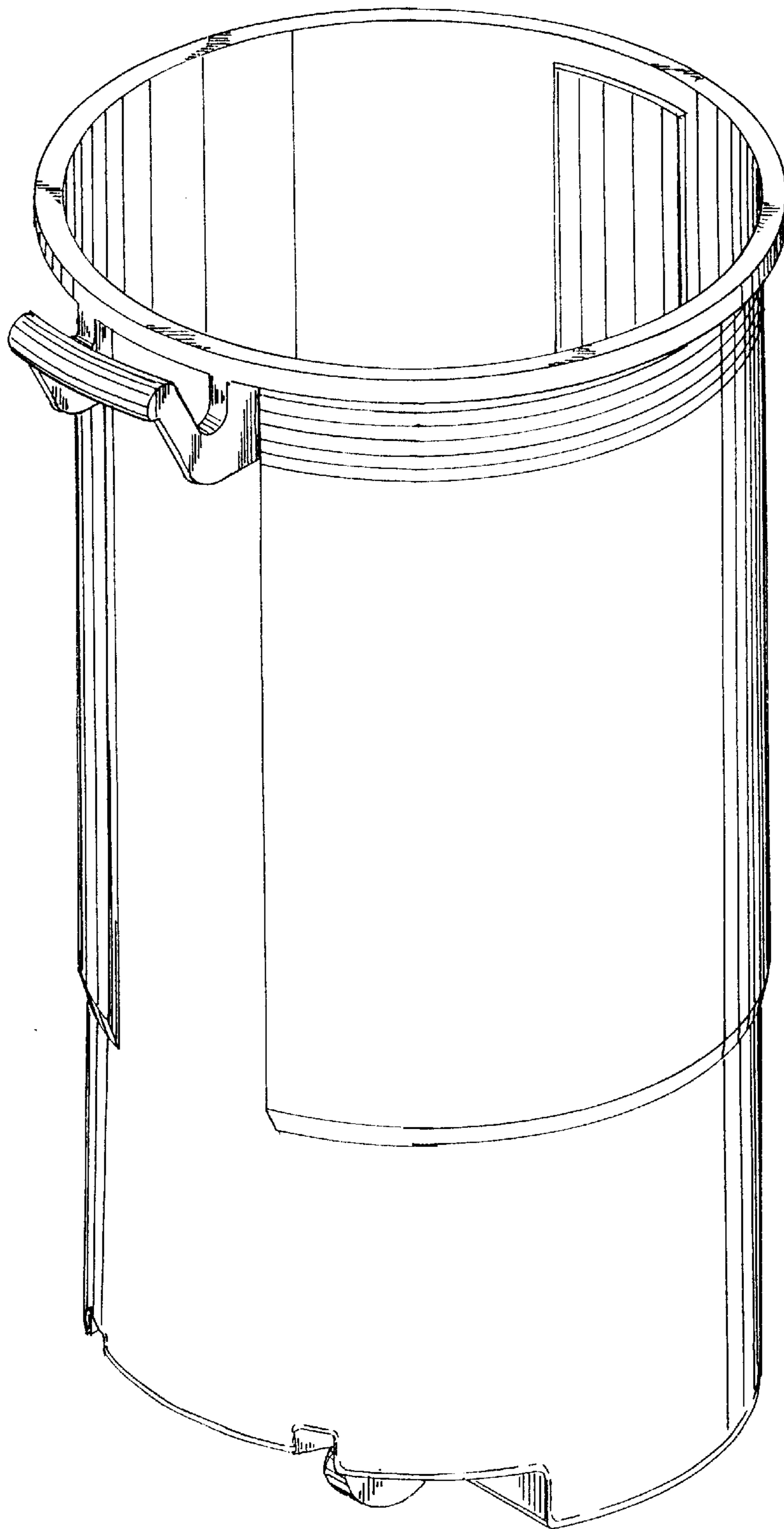


Fig. 1

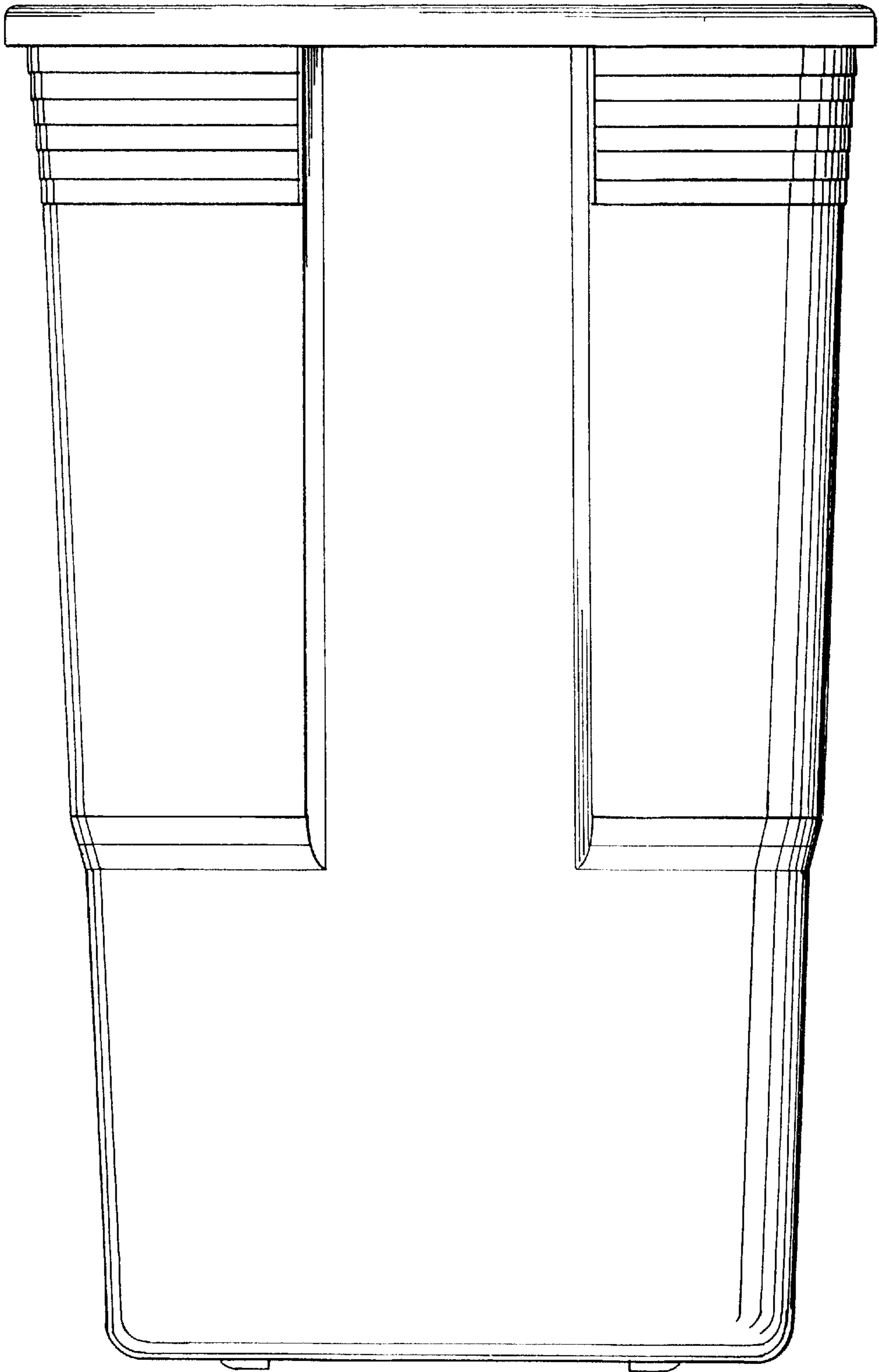


Fig. 2

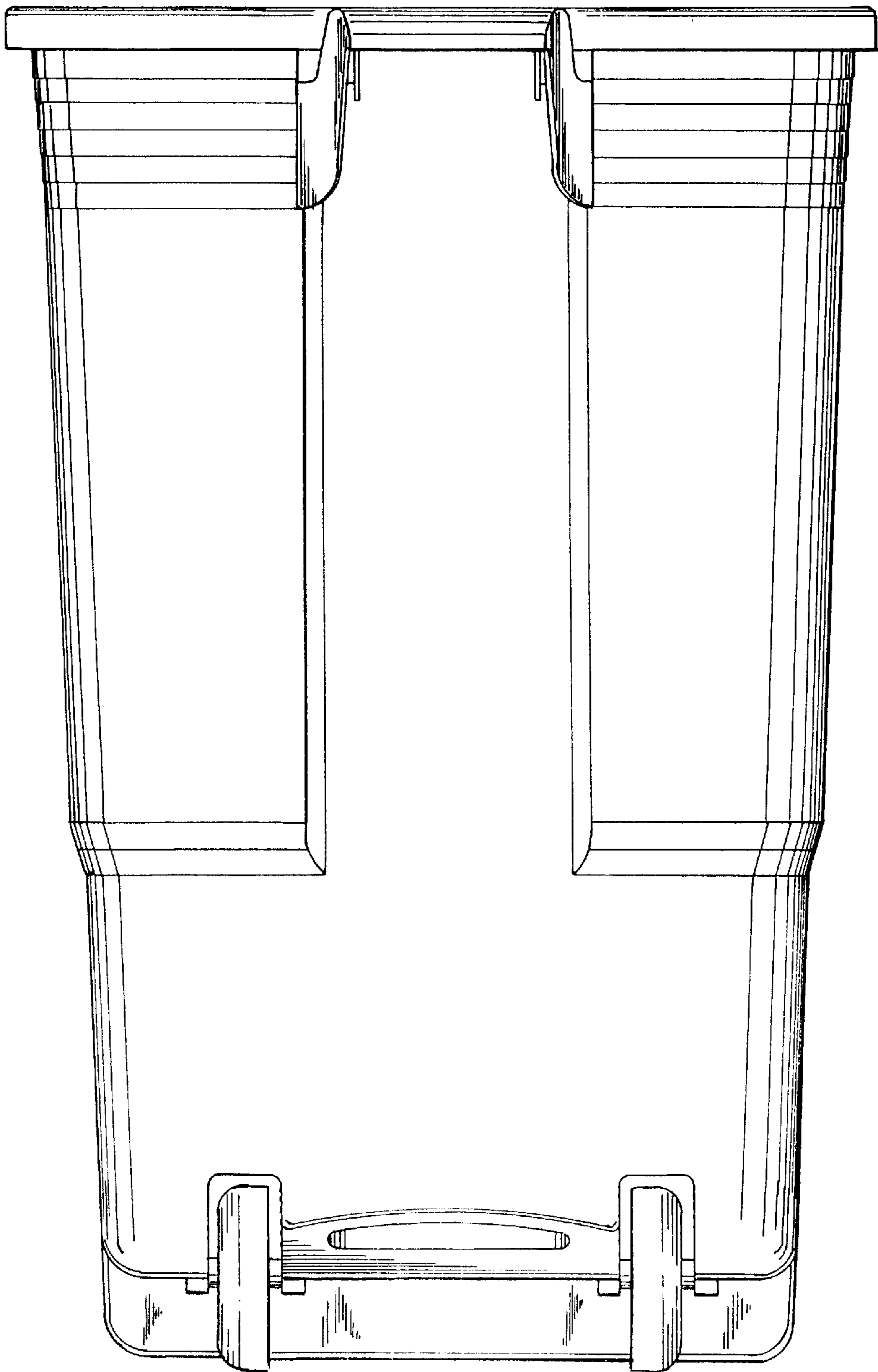


Fig. 3

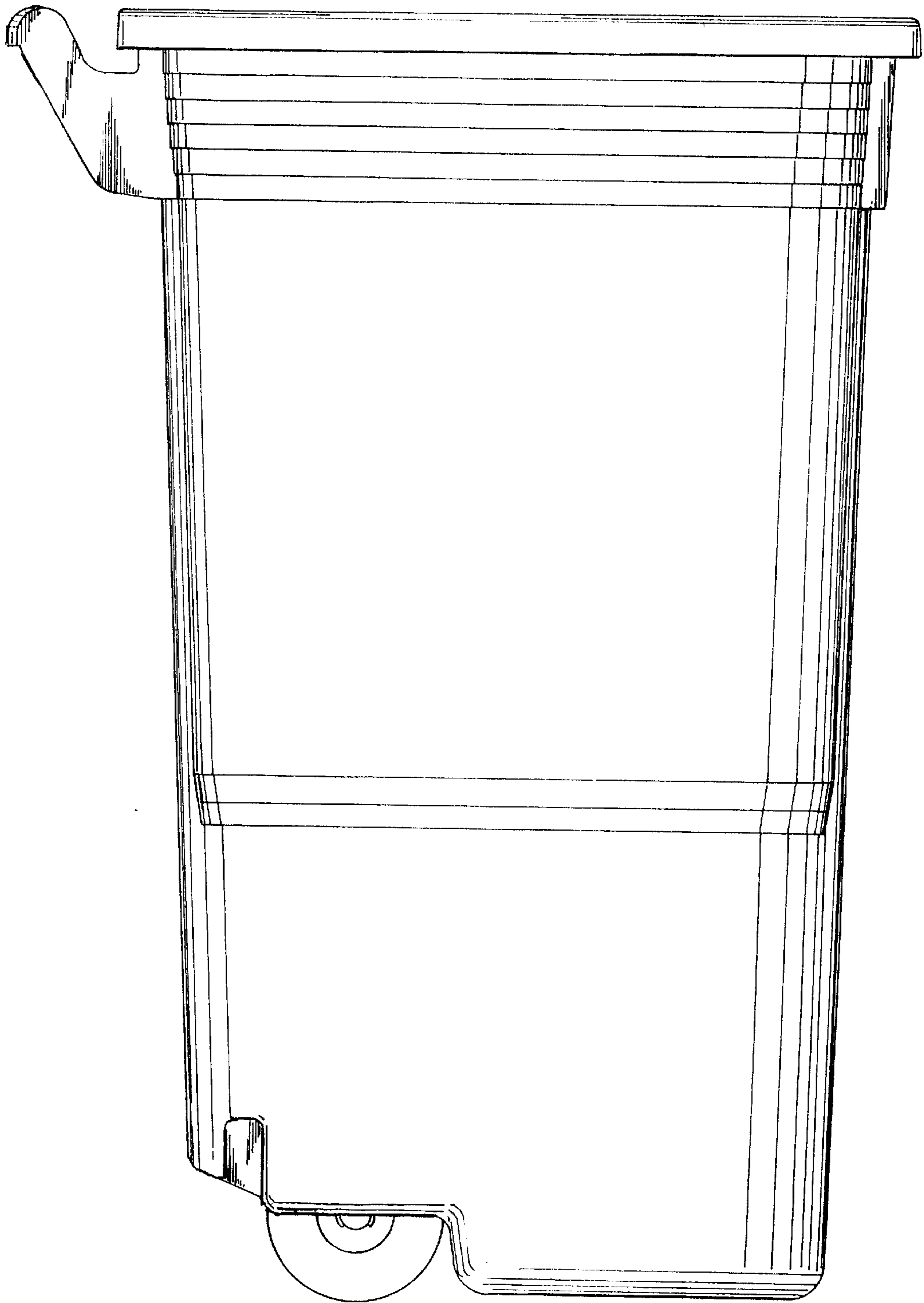


Fig. 4

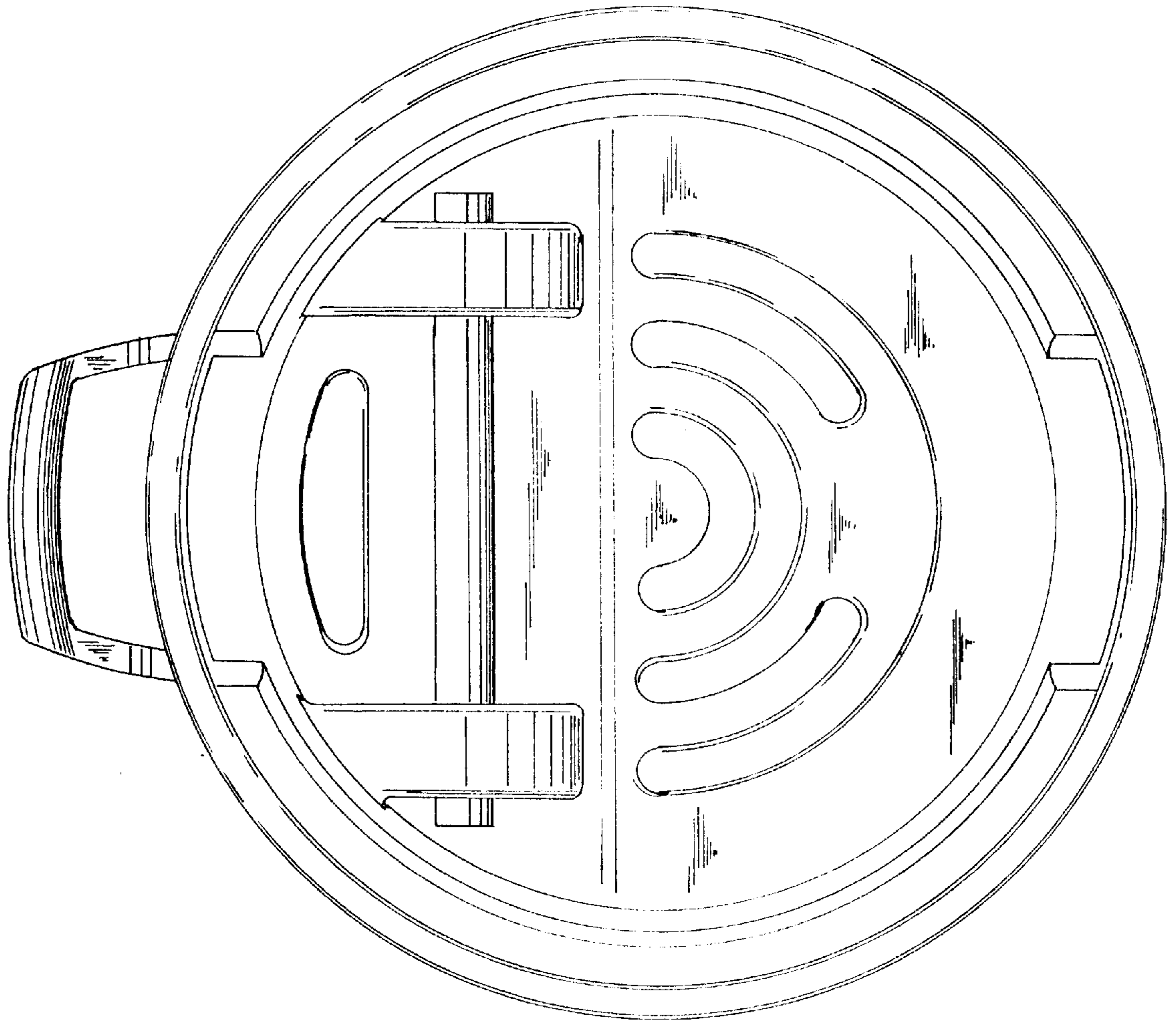


Fig. 5

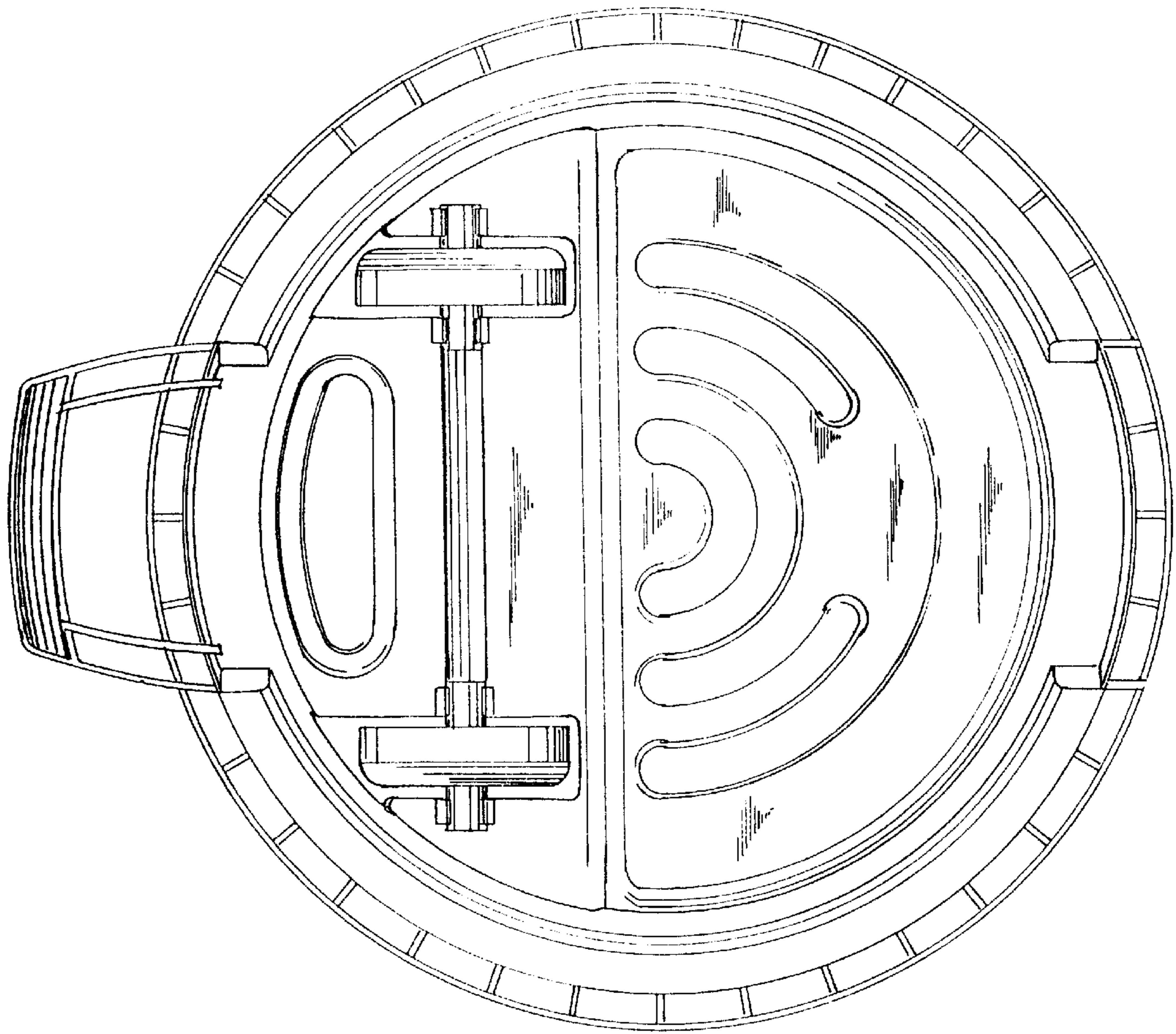


Fig. 6