



US00D413188S

United States Patent [19]

[11] **Patent Number: Des. 413,188**

Whaley

[45] **Date of Patent: ** Aug. 24, 1999**

[54] **TRASH RECEPTACLE AND HOLDER FOR USE IN AN OVER-THE-ROAD TRUCK**

Attorney, Agent, or Firm—Polster, Lieder, Woodruff & Lucchesi LC

[76] Inventor: **Joseph H. C. Whaley**, R.R. 8, Box 68, Doniphan, Mo. 63935

[57] **CLAIM**

[**] Term: **14 Years**

I claim the ornamental design for trash receptacle and holder for use in an over-the-road truck, as shown and described.

[21] Appl. No.: **29/082,467**

DESCRIPTION

[22] Filed: **Jan. 22, 1998**

FIG. 1 is a perspective view of a trash receptacle and holder for use in an over-the-road truck showing my new design, shown in use;

[51] **LOC (6) Cl.** **09-09**

FIG. 2 is a perspective view thereof;

[52] **U.S. Cl.** **D34/1; D12/415**

FIG. 3 is a top plan view of the receptacle;

[58] **Field of Search** **D34/1, 5, 6, 7;**

FIG. 4 is a bottom plan view of the receptacle;

220/908–909; D12/415; 224/928

FIG. 5 is a front elevational view thereof shown in the direction of line 5—5 of FIG. 3;

[56] **References Cited**

U.S. PATENT DOCUMENTS

D. 223,681	5/1972	Whitaker	D12/415
D. 333,559	3/1993	Land	D34/1
3,458,095	7/1969	Stall	D12/415
3,771,754	11/1973	Swartz	224/928
5,226,576	7/1993	Ellsworth	224/928

FIG. 6 is a side elevational view thereof, shown in the direction of line 6—6 of FIG. 3;

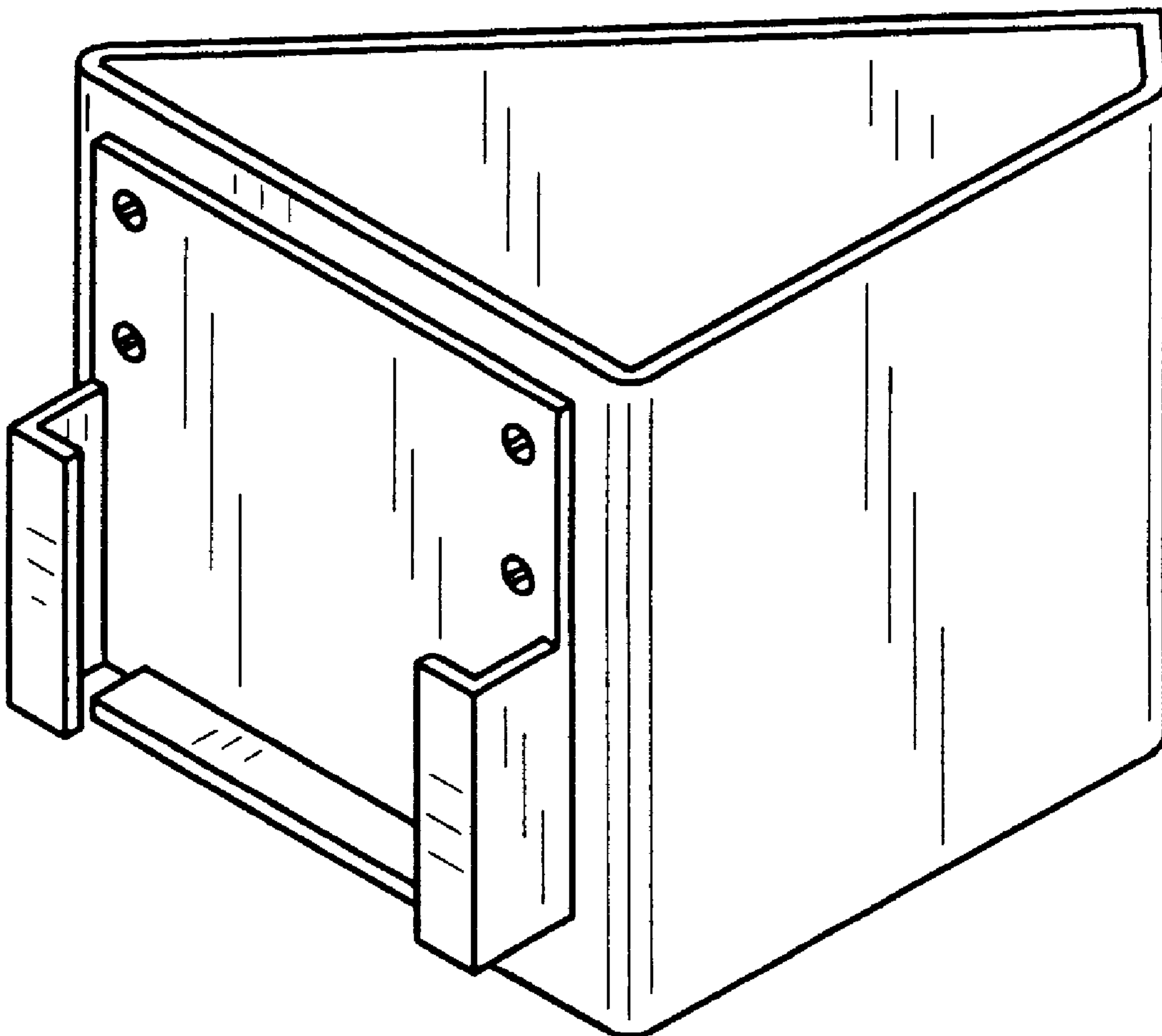
FIG. 7 is another side elevational view thereof, shown in the direction of line 7—7 of FIG. 3; and,

Primary Examiner—Alan P. Douglas
Assistant Examiner—Robin V. Taylor

FIG. 8 shows the attachment to a wall portion with the receptacle shown fragmented for ease of illustration.

The broken line showing is for illustrative purposes only and forms no part of the claimed design.

1 Claim, 2 Drawing Sheets



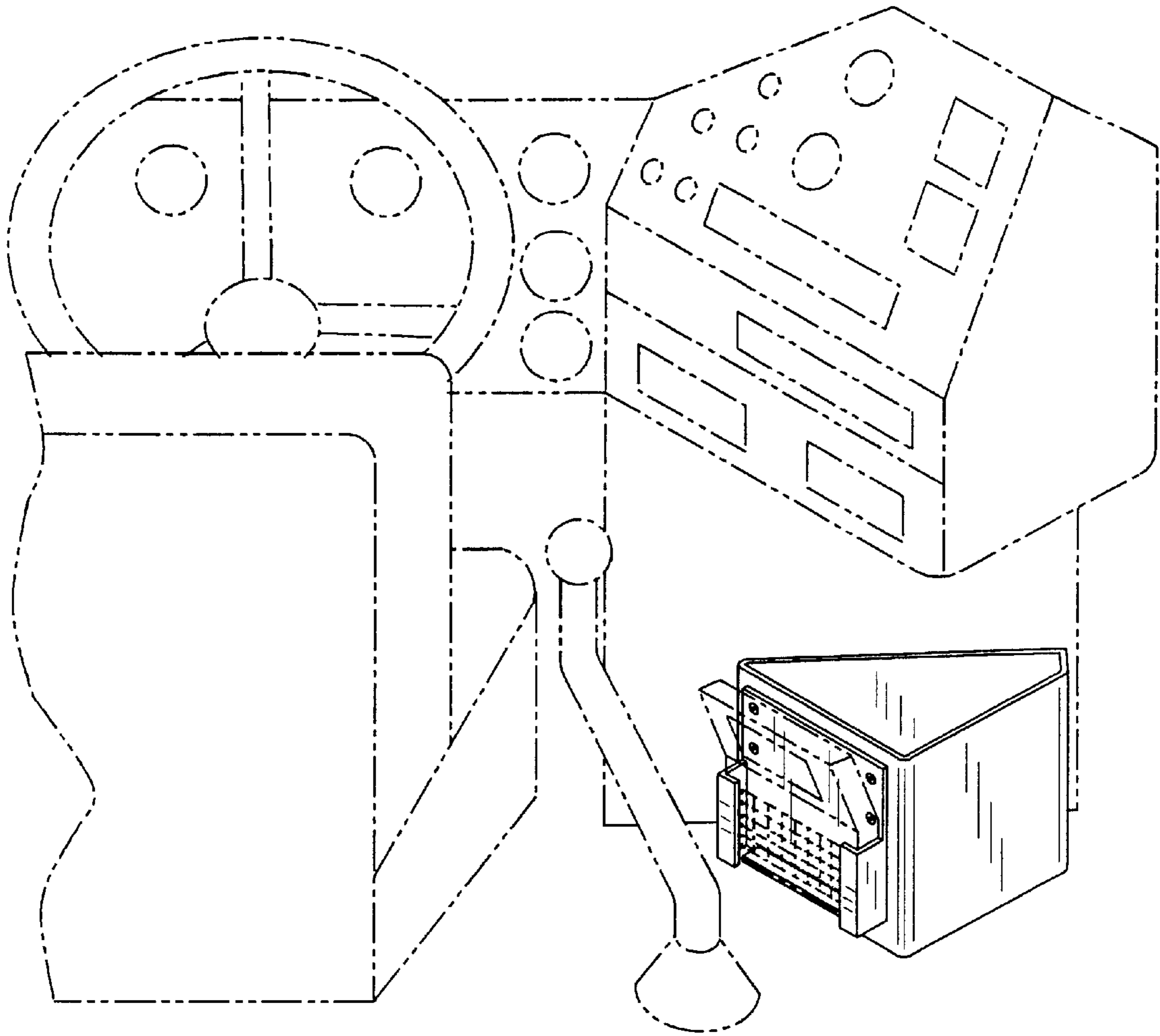


FIG. 1

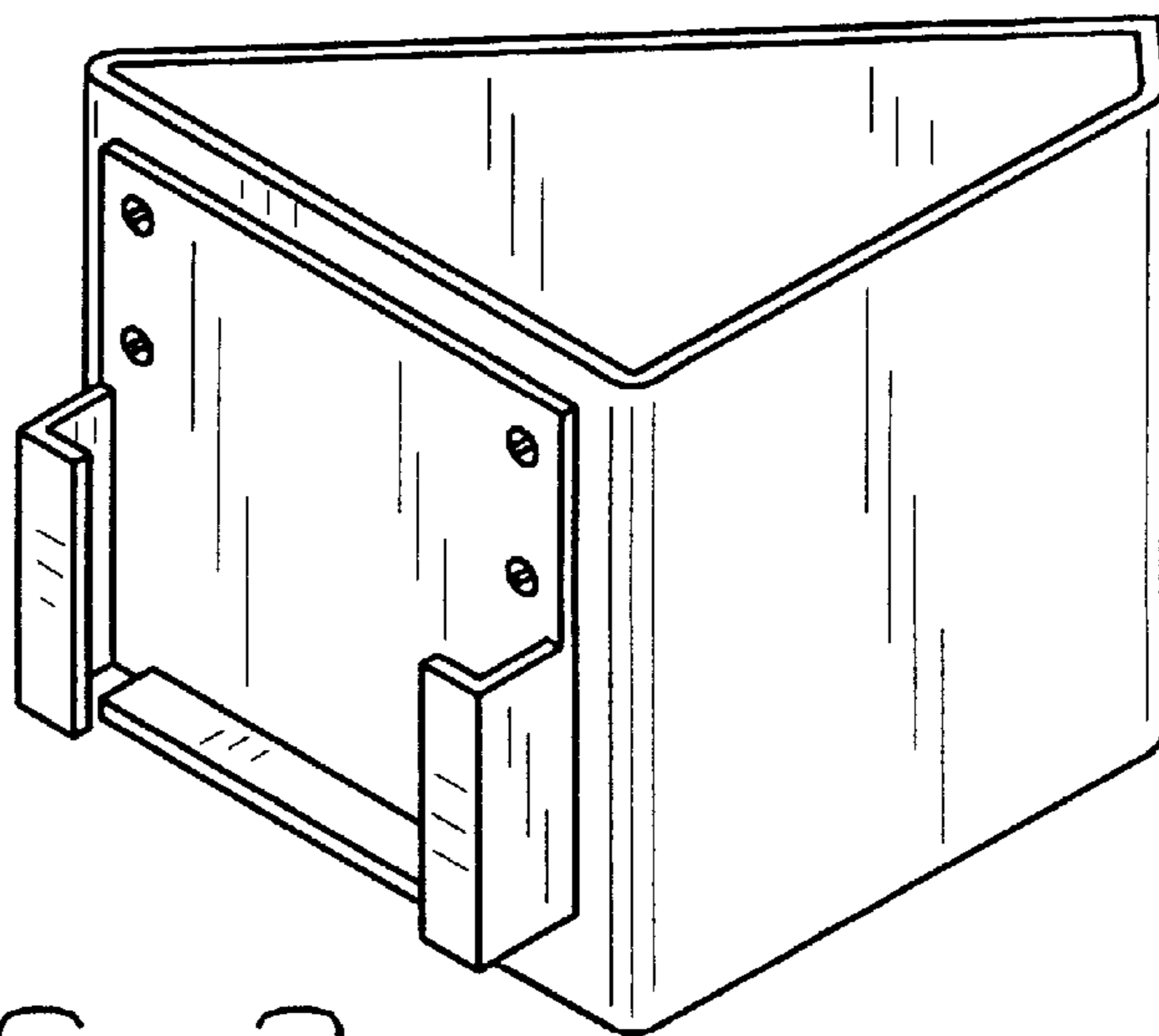


FIG. 2

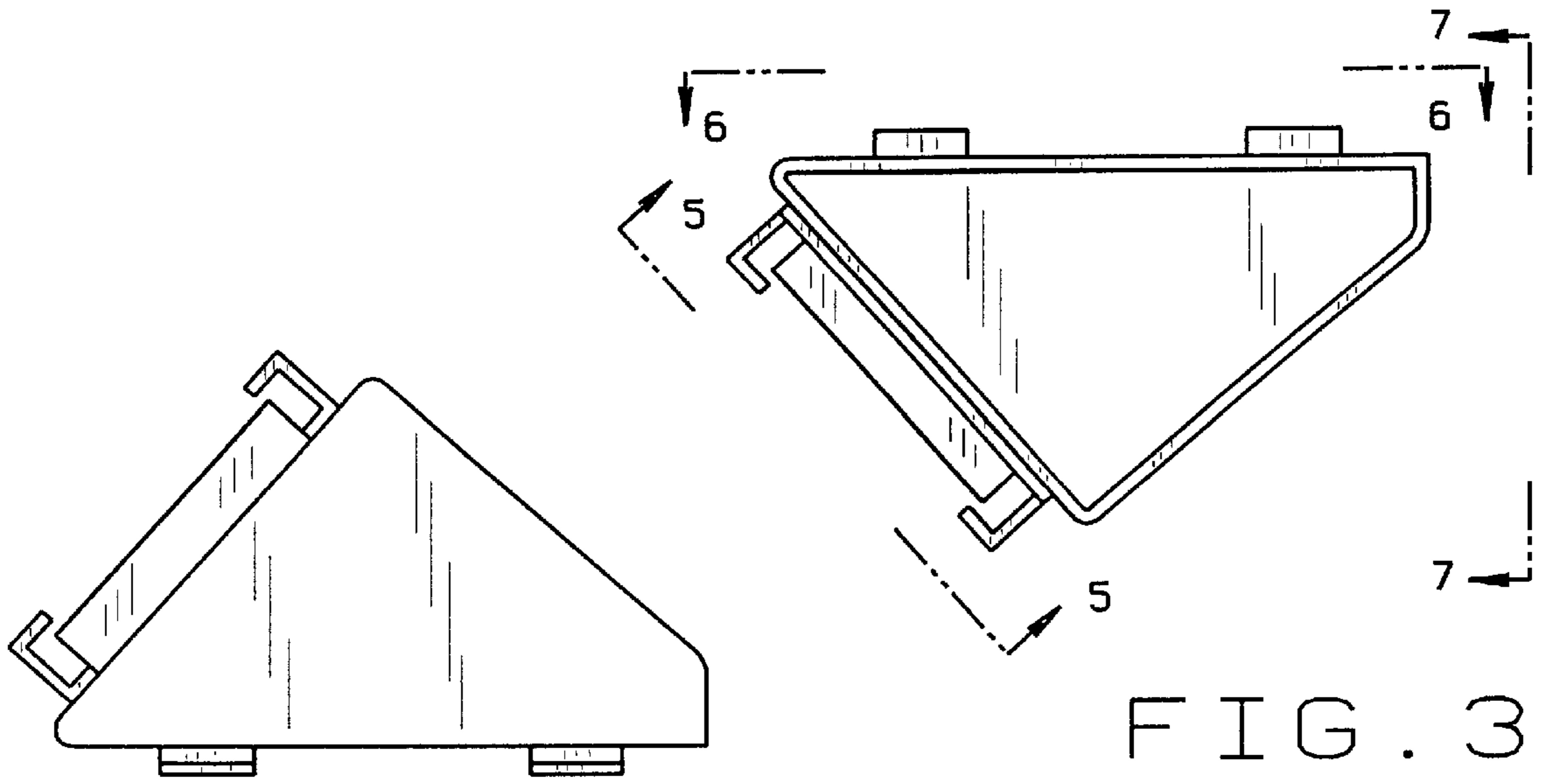


FIG. 4

FIG. 3

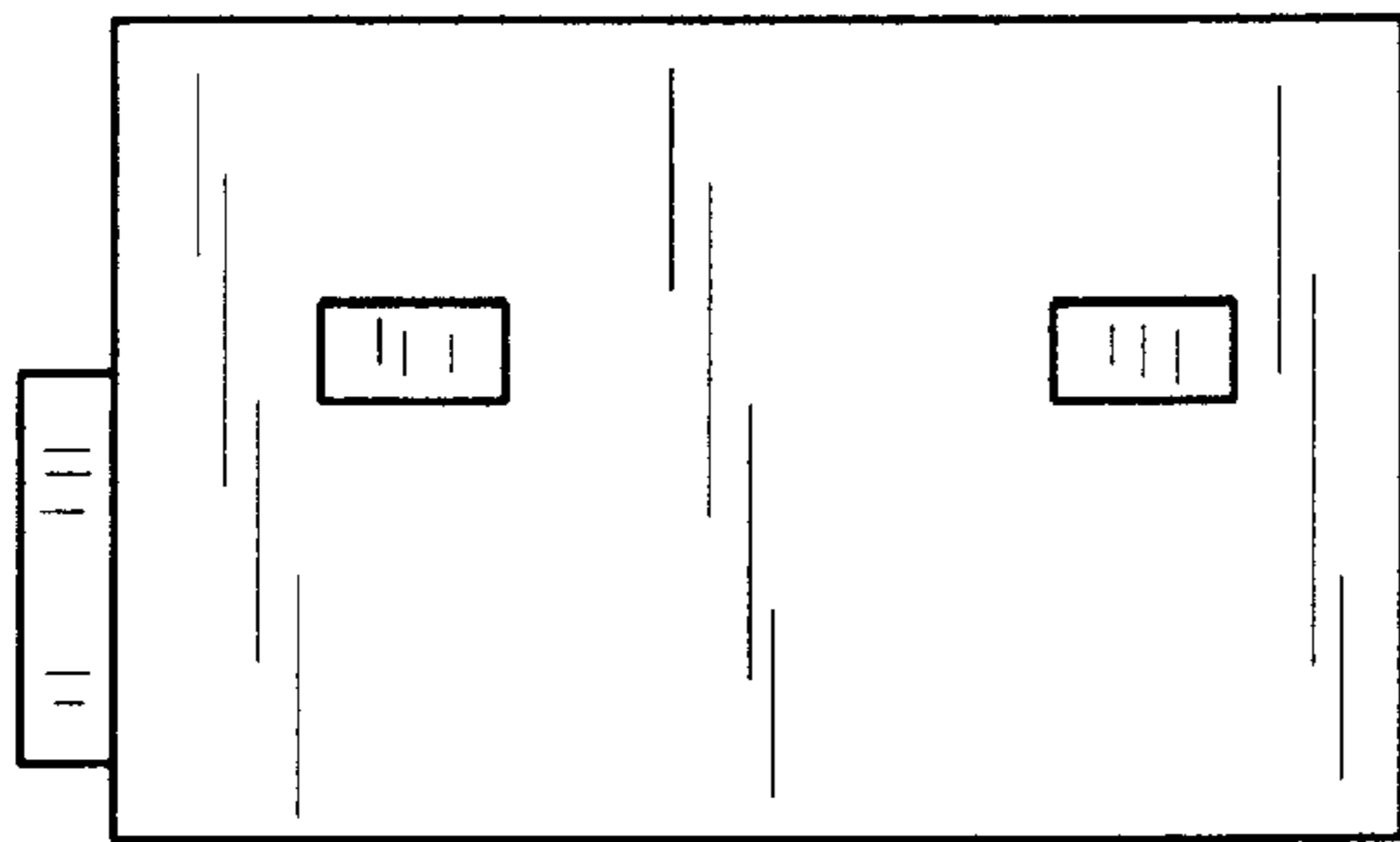


FIG. 6

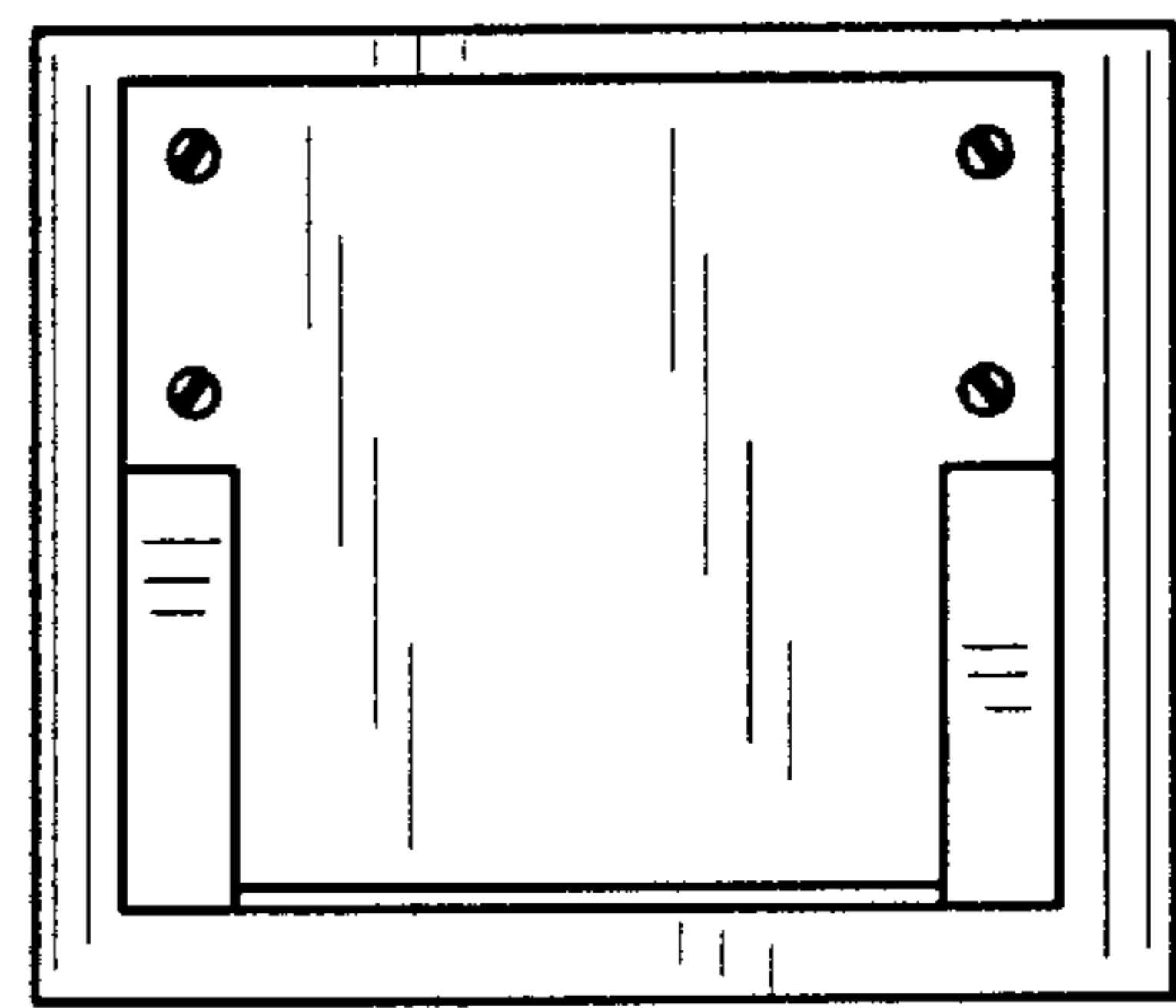


FIG. 5

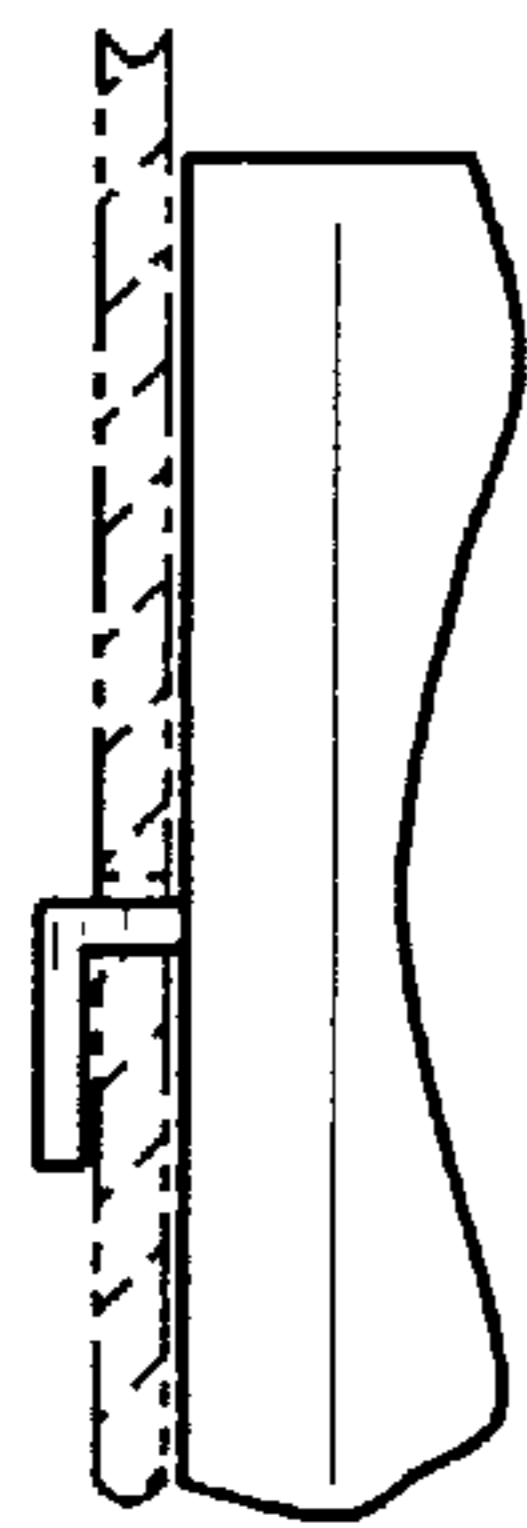


FIG. 8

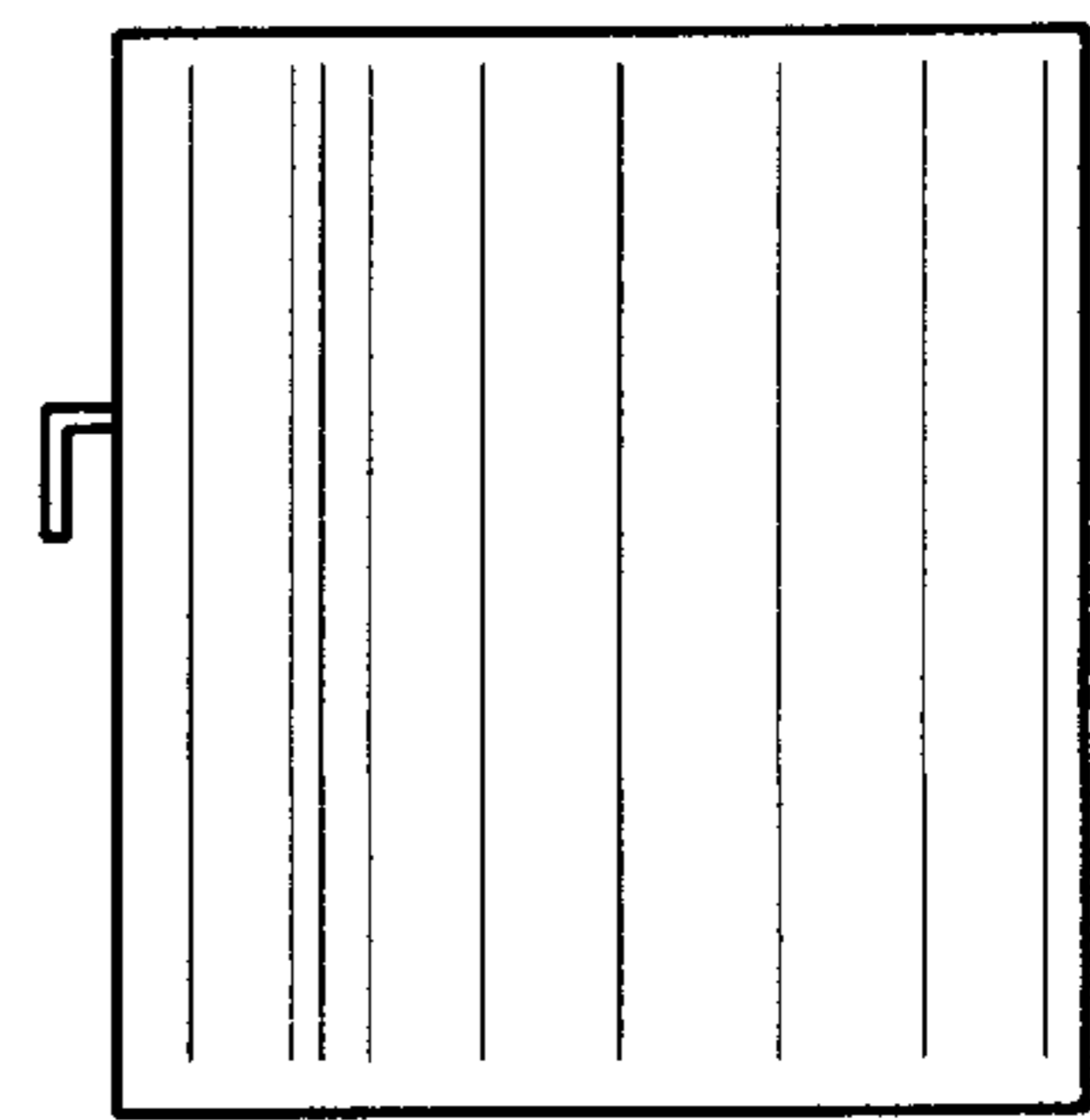


FIG. 7