



US00D413184S

United States Patent [19] Cooper

[11] Patent Number: Des. 413,184

[45] Date of Patent: ** Aug. 24, 1999

[54] **MIRRORED COSMETIC ACCOUTREMENT CLIP**

4,050,187 9/1977 Geiger et al. 24/339 X
5,178,478 1/1993 Ryder 401/195
5,489,078 2/1996 Risley 248/231.81

[76] Inventor: **Gary Cooper**, 104 W. 70th St., New York, N.Y. 10023

[**] Term: **14 Years**

[21] Appl. No.: **29/079,519**

[22] Filed: **Nov. 19, 1997**

[51] **LOC (6) Cl.** **28-03**

[52] **U.S. Cl.** **D28/64.3; D28/73; D28/77**

[58] **Field of Search** D28/73, 77, 64.3, D28/86; D19/75, 77, 81, 83, 78, 54, 56; D8/372, 380, 382, 394, 395, 396, 349, 354, 355, 356; 132/286, 294, 314, 316-318; 24/339, 346, 370; 248/682, 683, 689, 690, 692, 74.1, 68.1, 219.1; 224/247, 248; 401/34, 35, 48, 58, 131, 195

[56] **References Cited**

U.S. PATENT DOCUMENTS

D. 206,208	11/1966	Ashenfarb	D28/77
D. 344,449	2/1994	Ward	D8/395
D. 366,410	1/1996	Schlabach	D8/395
D. 386,828	11/1997	Pullman	D28/77
1,324,308	12/1919	Crossan	24/339
1,462,714	7/1923	Marchand	24/546
1,899,509	2/1933	Lapin	24/339 X
3,983,602	10/1976	Barry	224/247 X

FOREIGN PATENT DOCUMENTS

110762	5/1964	Czechoslovakia	248/68.1
935861	7/1948	France	132/316
944816	4/1949	France	132/316
2439350	5/1980	France	248/68.1

Primary Examiner—Raphael Barkai
Assistant Examiner—C. Tuttle
Attorney, Agent, or Firm—Alfred M. Walker

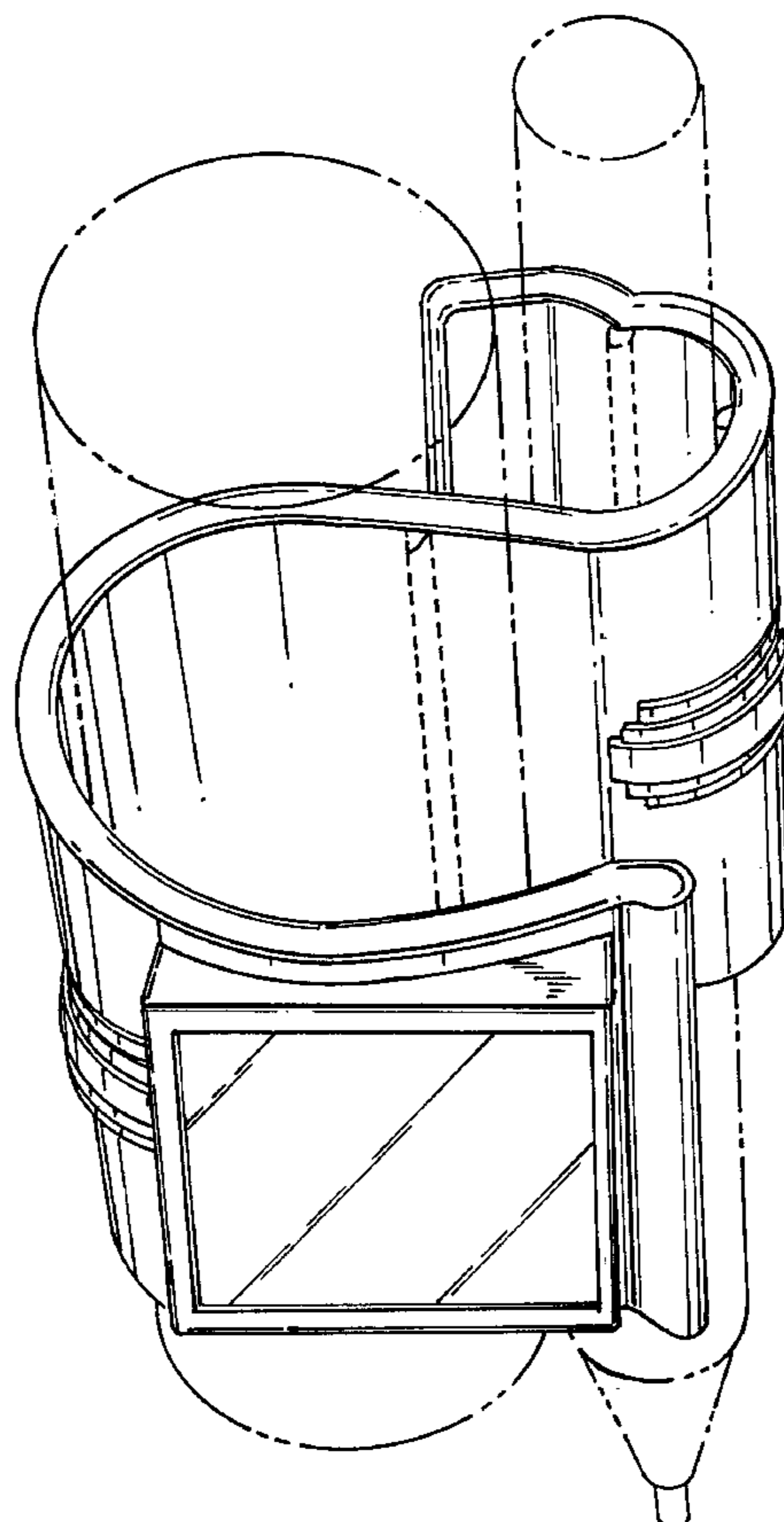
[57] **CLAIM**

The ornamental design for a mirrored cosmetic accoutrement clip, as shown and described.

DESCRIPTION

FIG. 1 is a top and right side perspective view showing my new design in use, the broken lines showing the lipstick barrel, lip liner pencil and inner ribs being for illustrative purposes only and forming no part of the claimed design; FIG. 2 is a front elevation view thereof; FIG. 3 is a rear view thereof; FIG. 4 is a left side elevational view thereof; FIG. 5 is a right side elevational thereof; and, FIG. 6 is a top plan view thereof; the bottom view being a mirror image thereof.

1 Claim, 3 Drawing Sheets



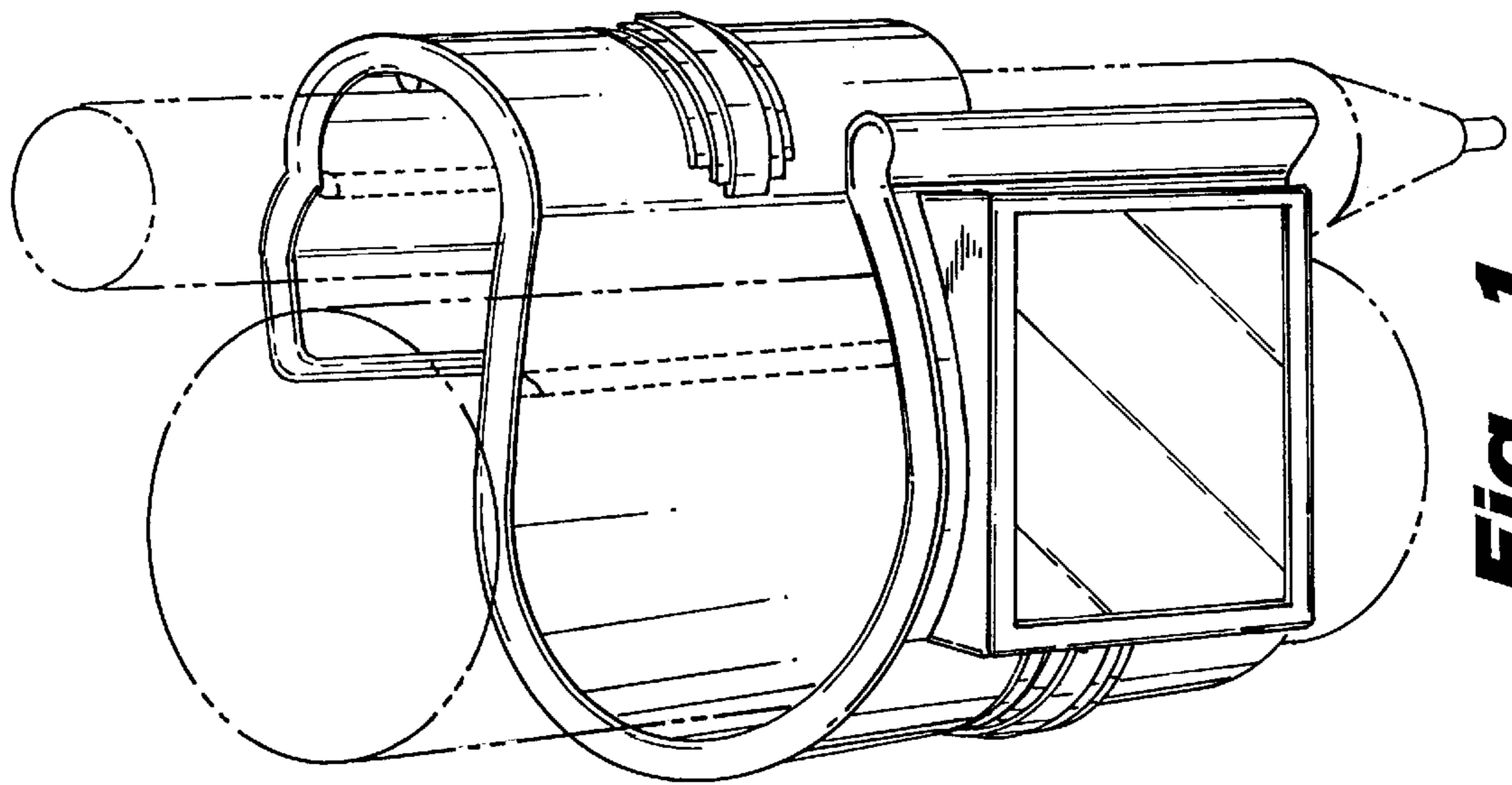


Fig. 1

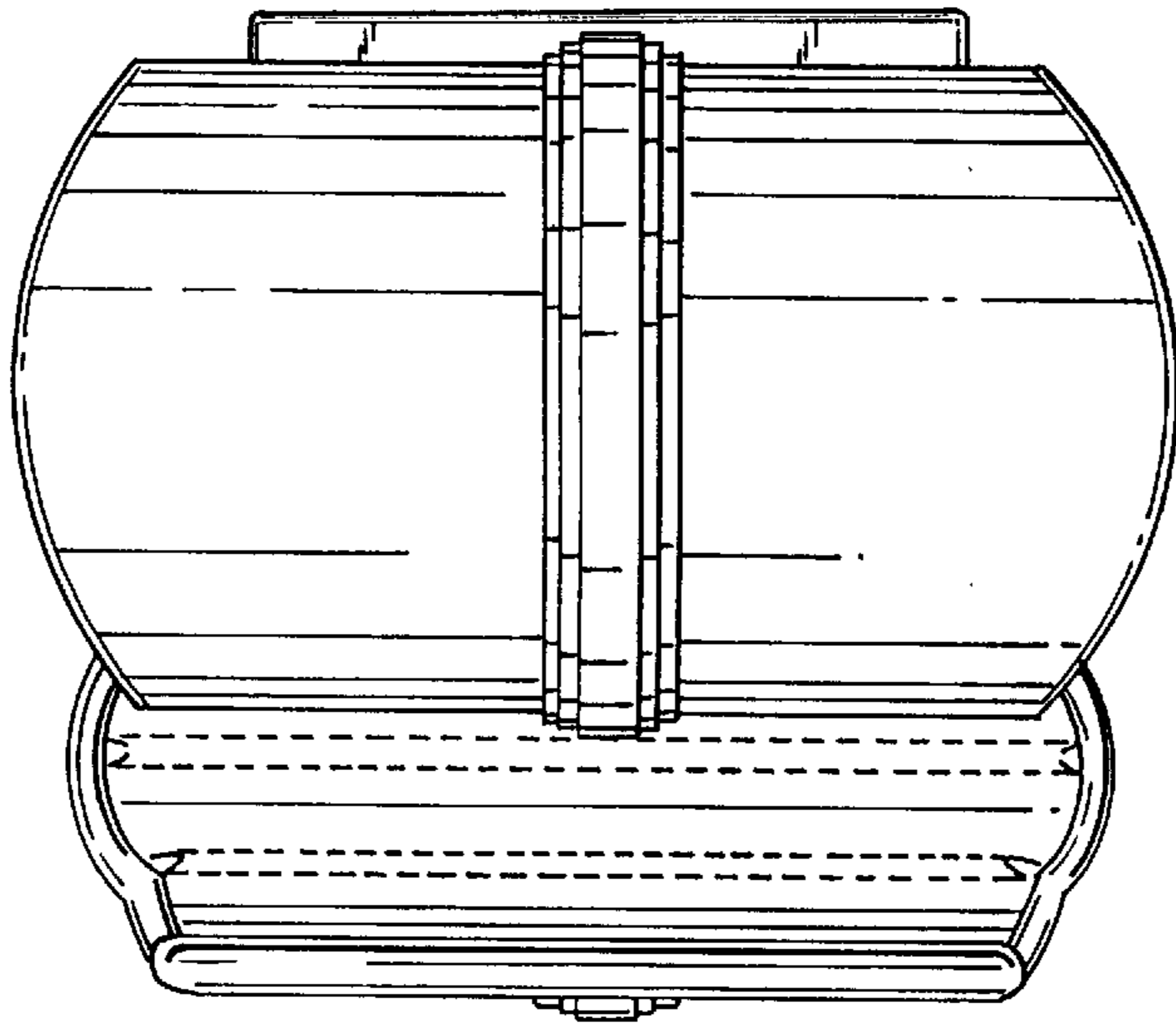


Fig. 2

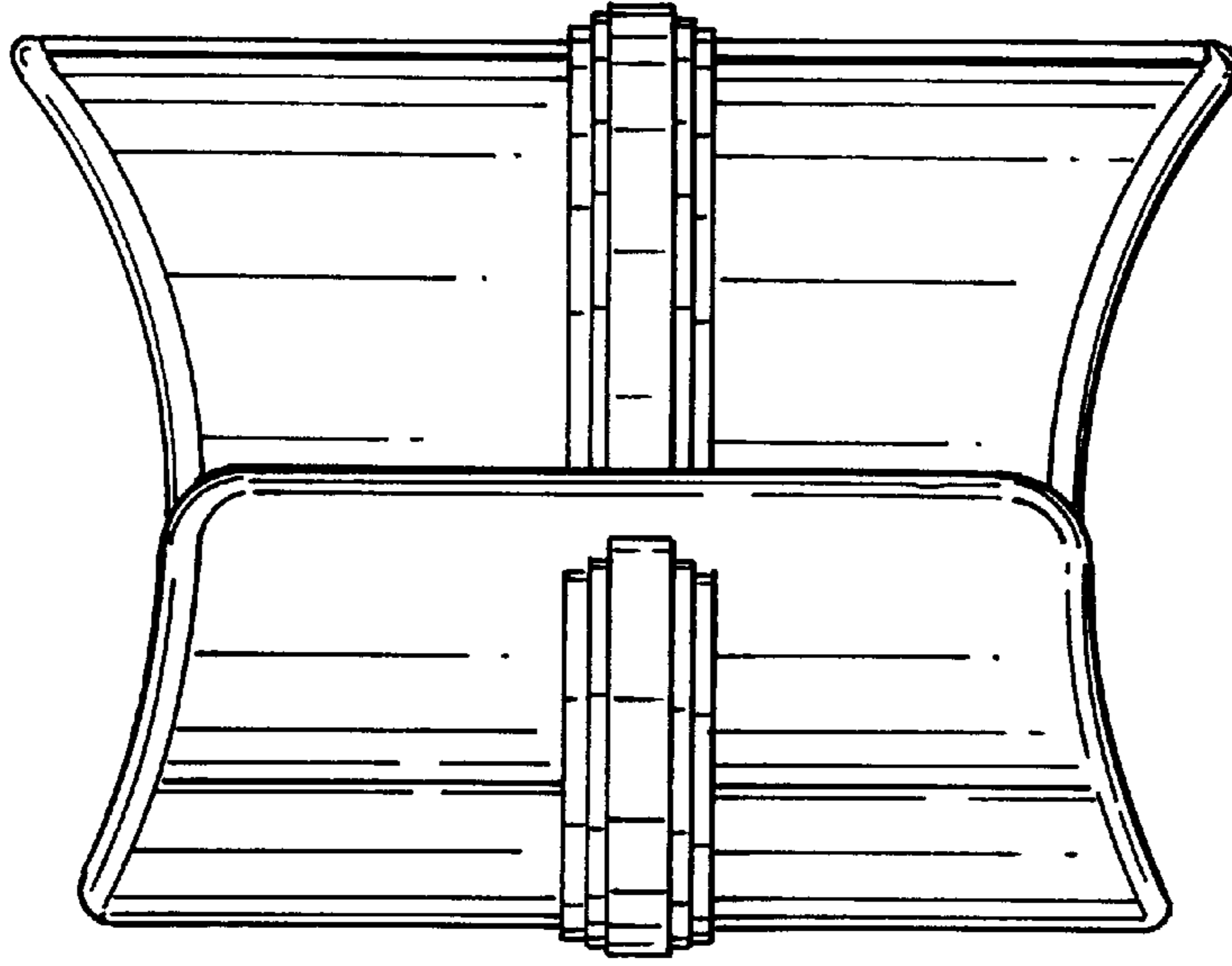


Fig. 4

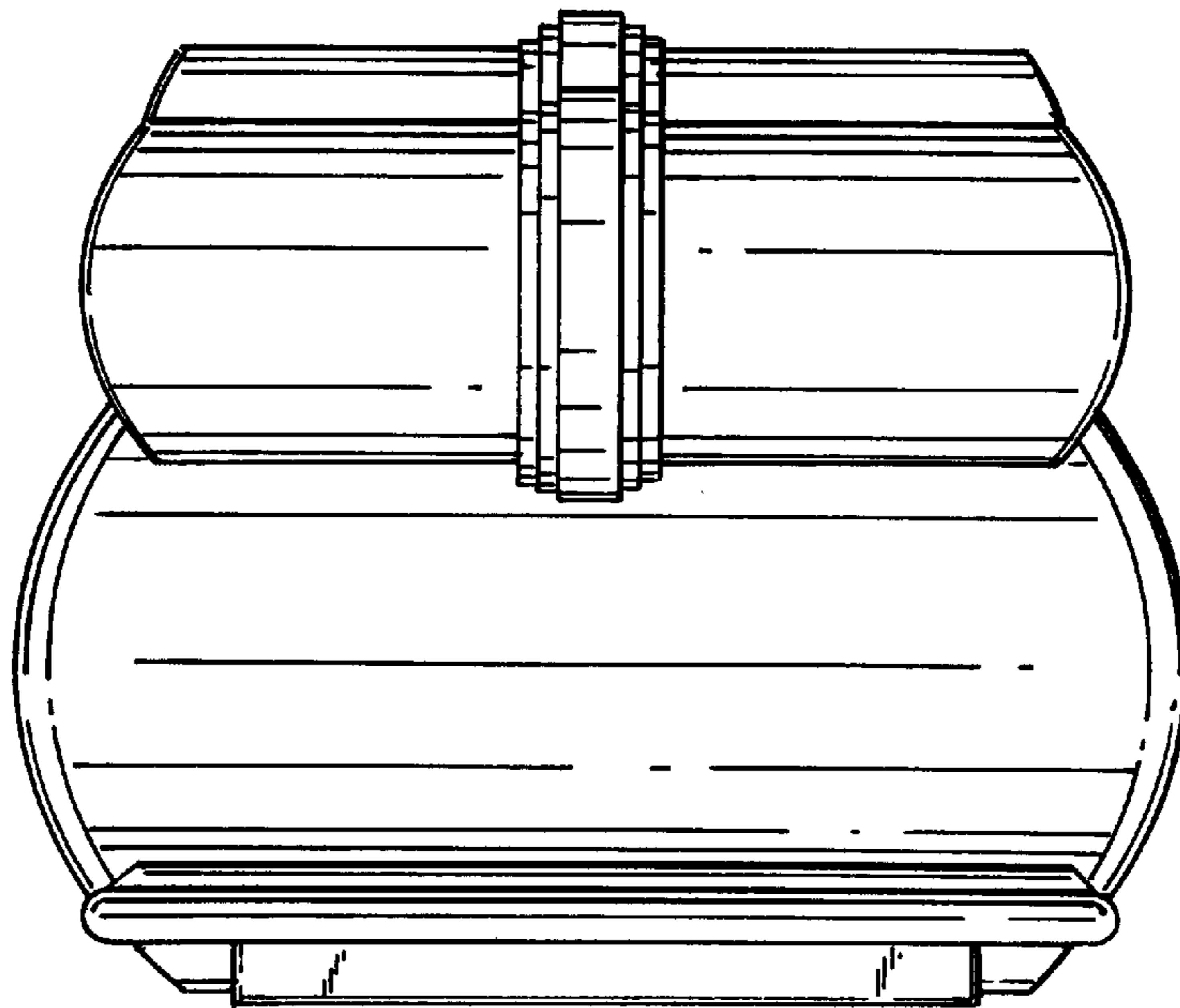


Fig. 3

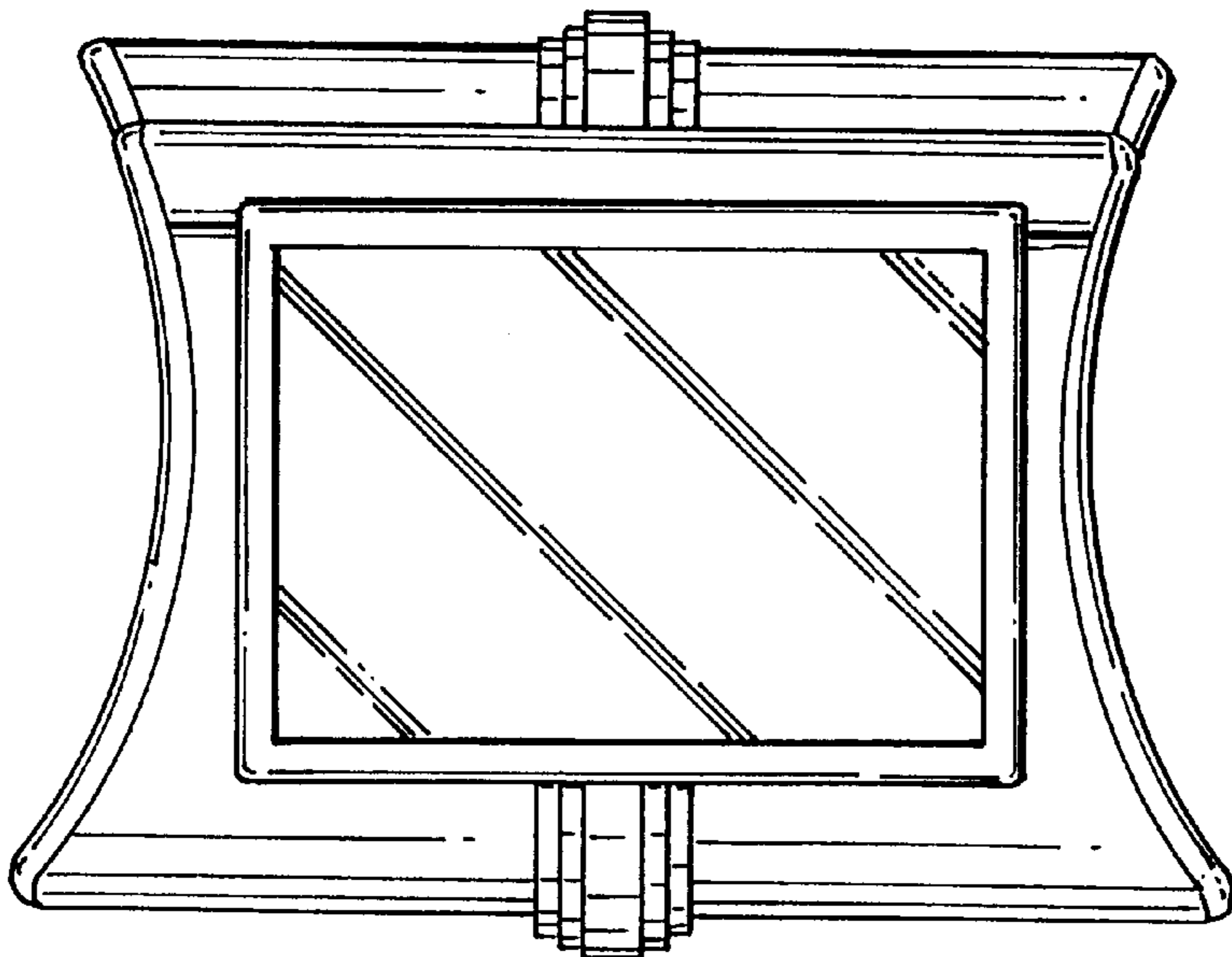


Fig. 5

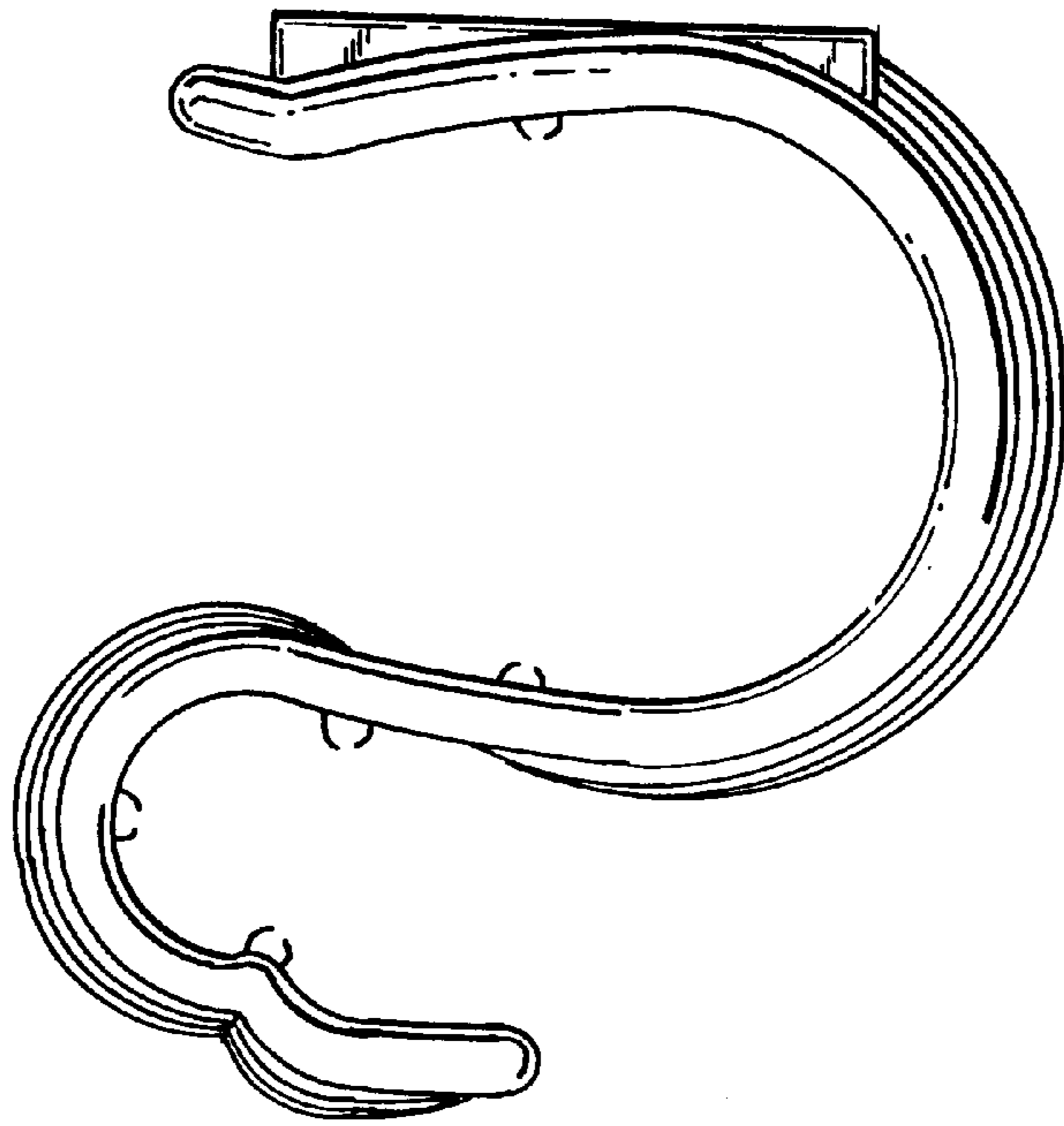


Fig. 6