



US00D413178S

United States Patent [19]
Perenzin

[11] **Patent Number: Des. 413,178**

[45] **Date of Patent: ** Aug. 24, 1999**

[54] **LIGHTING FIXTURE**

[75] Inventor: **Guerrino Perenzin**, Quero, Italy

[73] Assignee: **Davoil, Inc.**, Ft. Worth, Tex.

[**] Term: **14 Years**

[21] Appl. No.: **29/081,631**

[22] Filed: **Jan. 7, 1998**

[51] **LOC (6) Cl. 26-05**

[52] **U.S. Cl. D26/92**

[58] **Field of Search D26/85, 87, 92,
D26/142; 362/432, 147**

[56] **References Cited**

U.S. PATENT DOCUMENTS

D. 380,851 7/1997 Dolan D26/92

OTHER PUBLICATIONS

Kichler Lighting catalog, p. 28, wall lamp # K-483, Sep. 1990.

Minka-Lavery lighting catalog, p. 167, wall lamp # A W99-22, Jan. 1995.

Progress lighting catalog, p. 16, wall lamp, # TC2902-47, 1990.

Primary Examiner—Susan J. Lucas
Attorney, Agent, or Firm—Kenneth C. Hill

[57] **CLAIM**

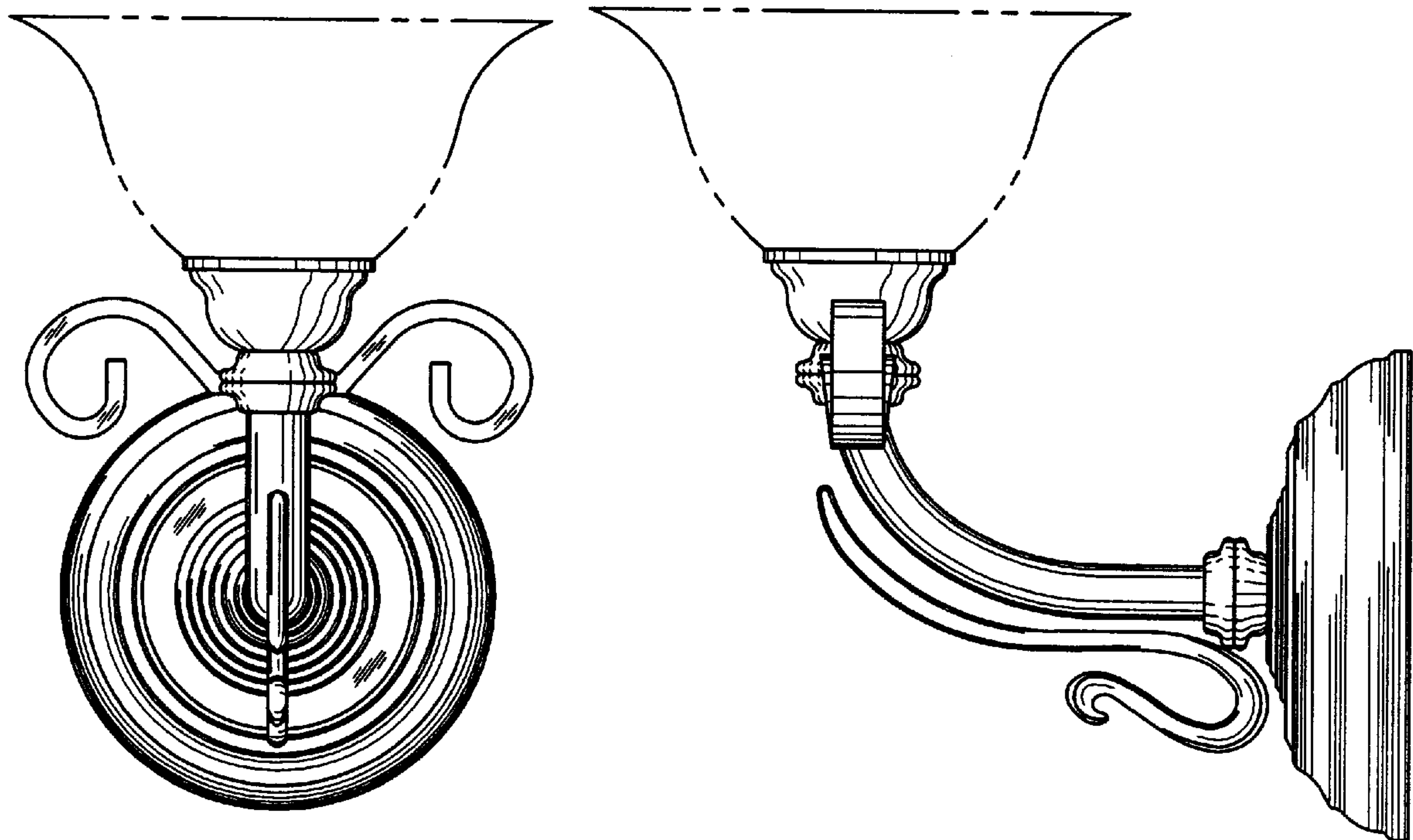
The ornamental design for a lighting fixture, as shown and described.

DESCRIPTION

FIG. 1 is a front view of the lighting fixture;
FIG. 2 is a back view of the lighting fixture;
FIG. 3 is a right side view of the lighting fixture;
FIG. 4 is a left side view of the lighting fixture;
FIG. 5 is a top view of the lighting fixture; and,
FIG. 6 is a bottom view of the lighting fixture.

The broken lines showing the glass shade is for illustrative purposes only and forms no part of the claimed design. The lines illustrating curvature are for shading purposes only, and form no part of the invention.

1 Claim, 3 Drawing Sheets



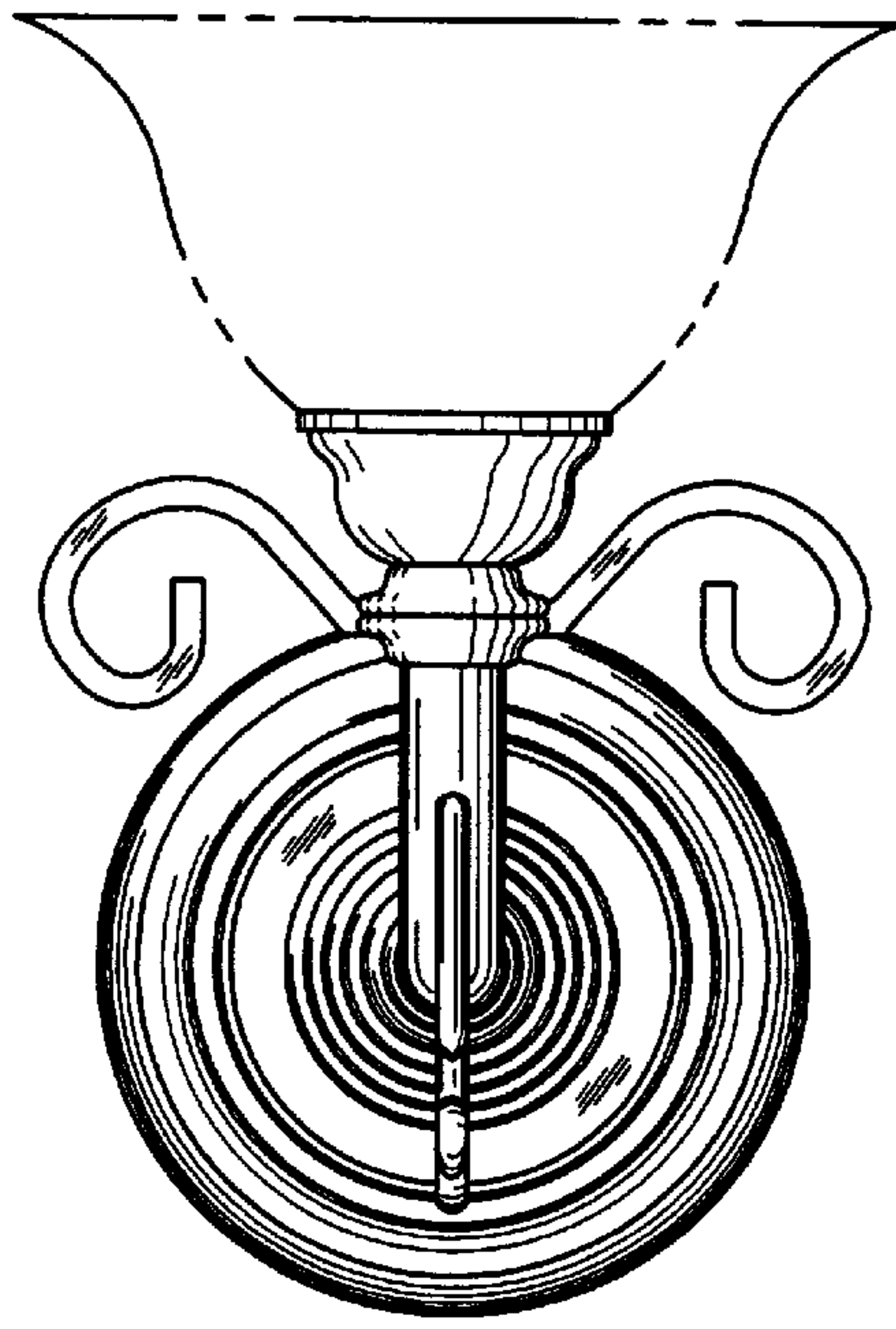


Fig. 1

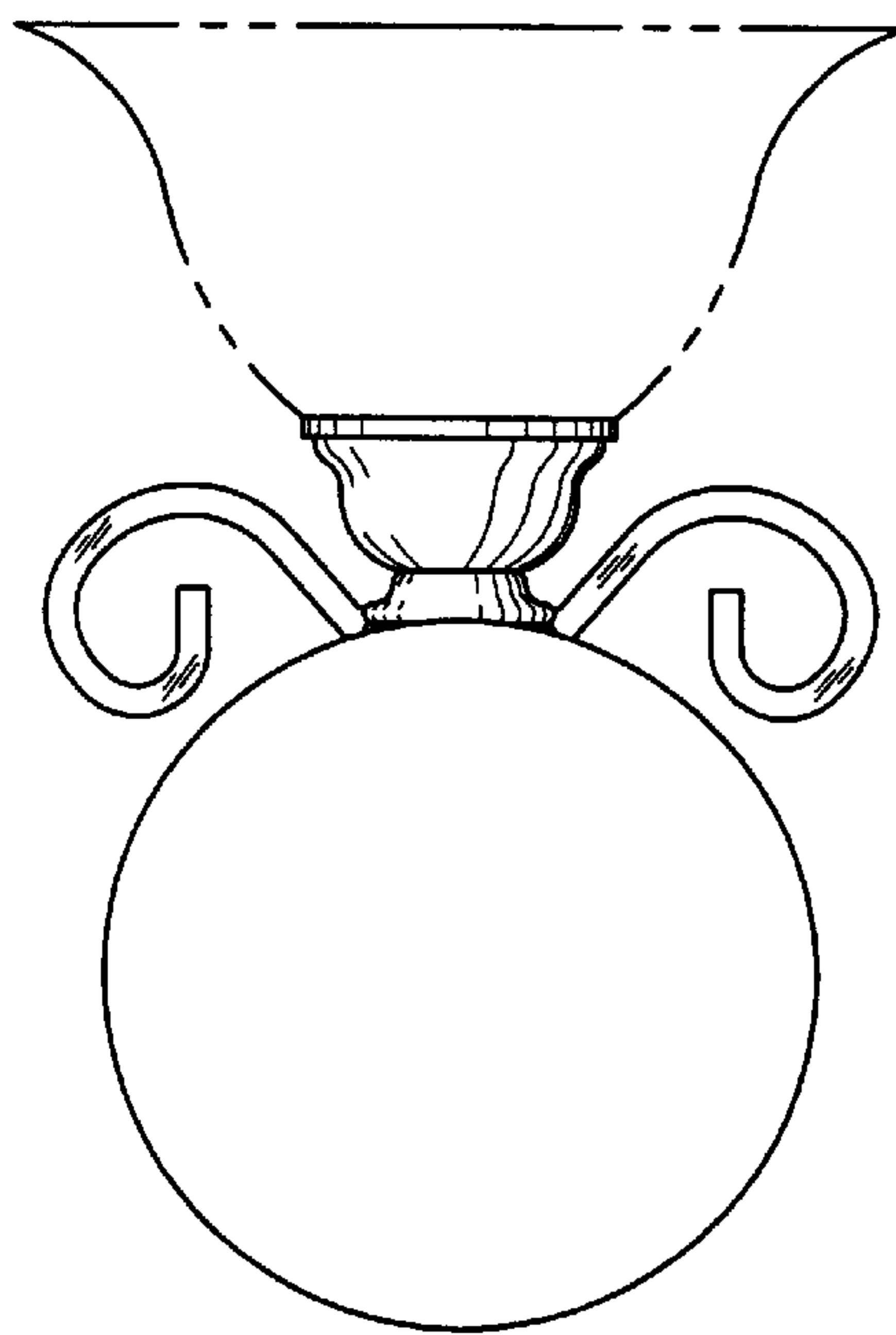


Fig. 2

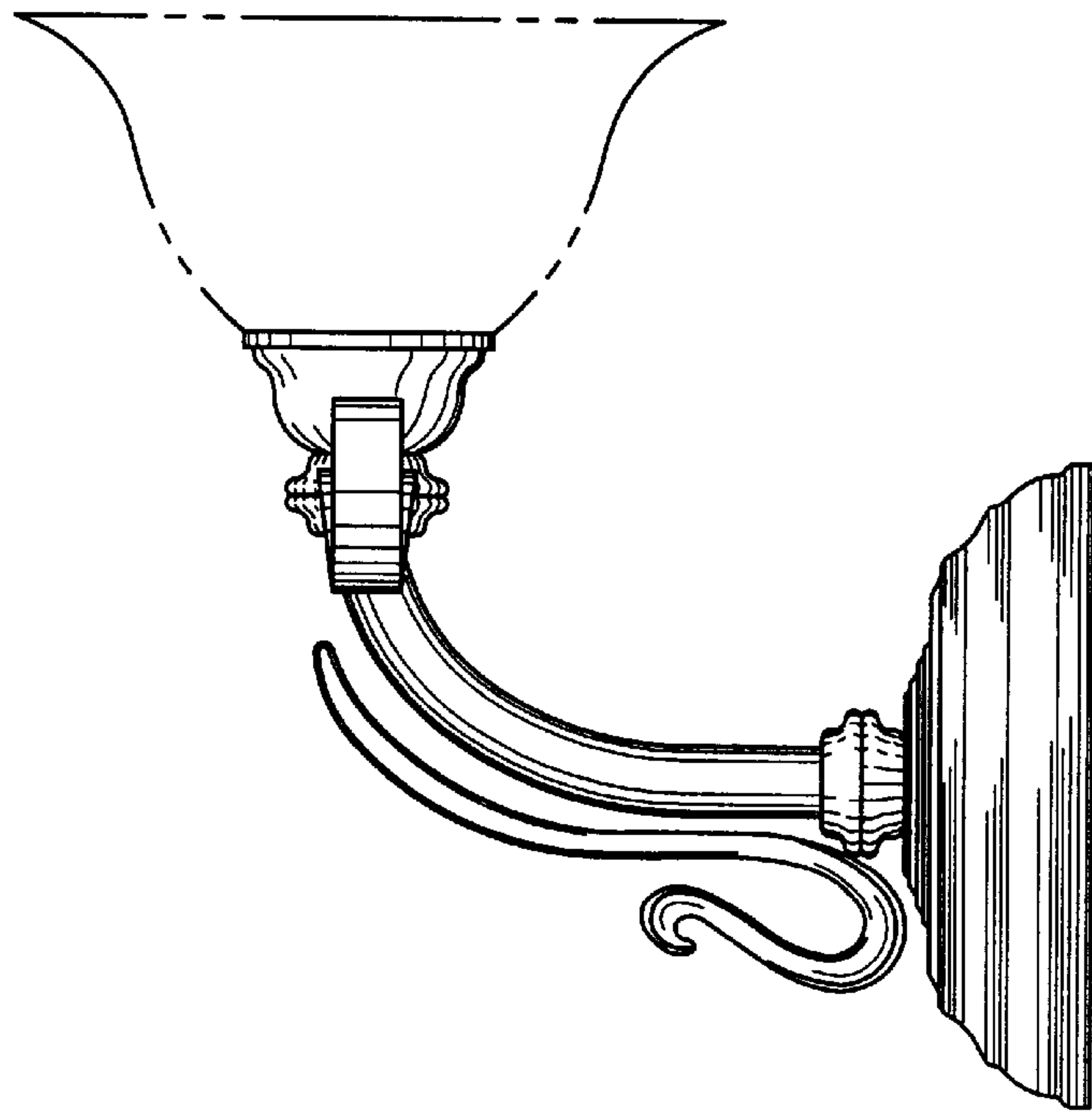


Fig. 3

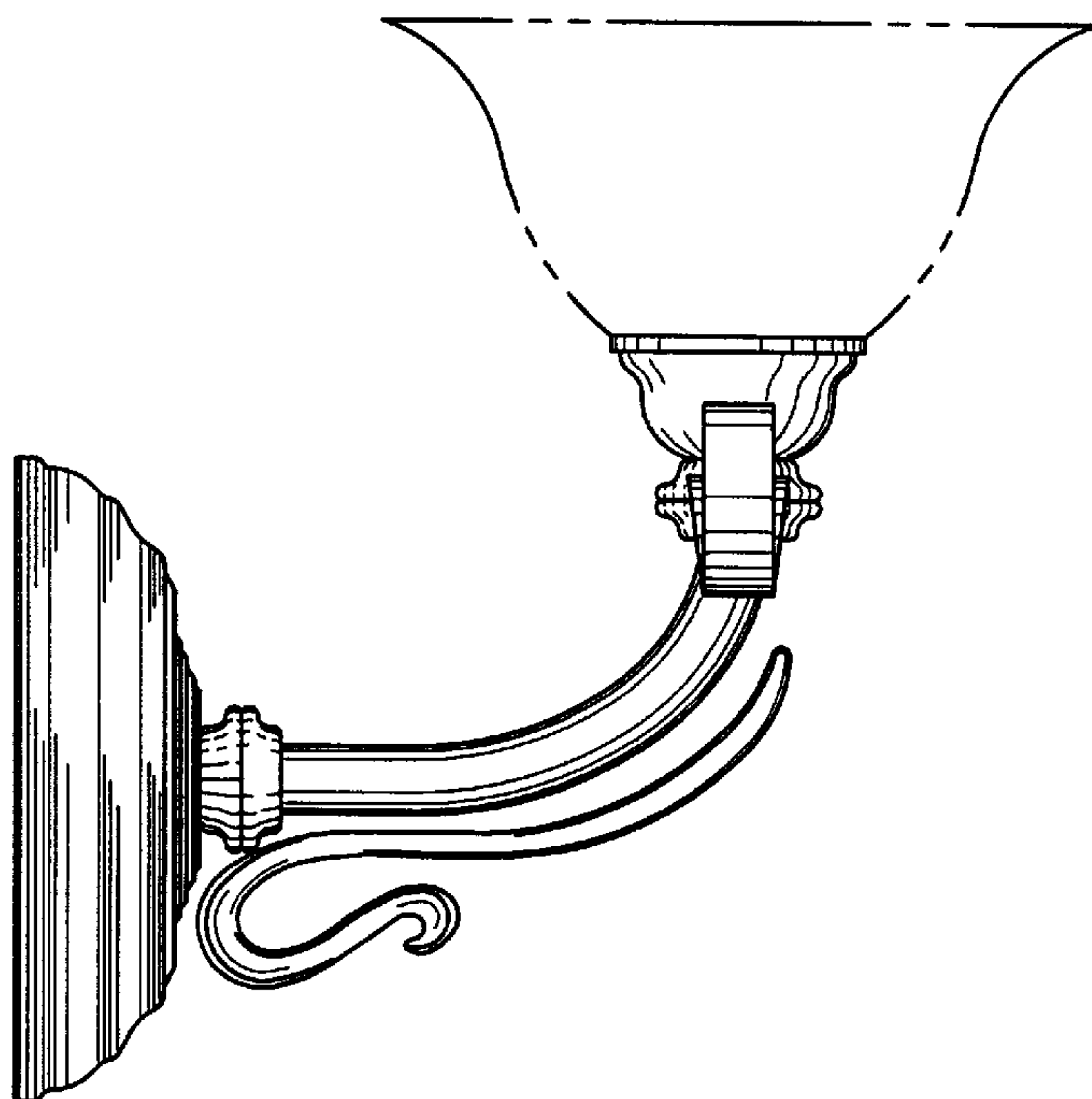


Fig. 4

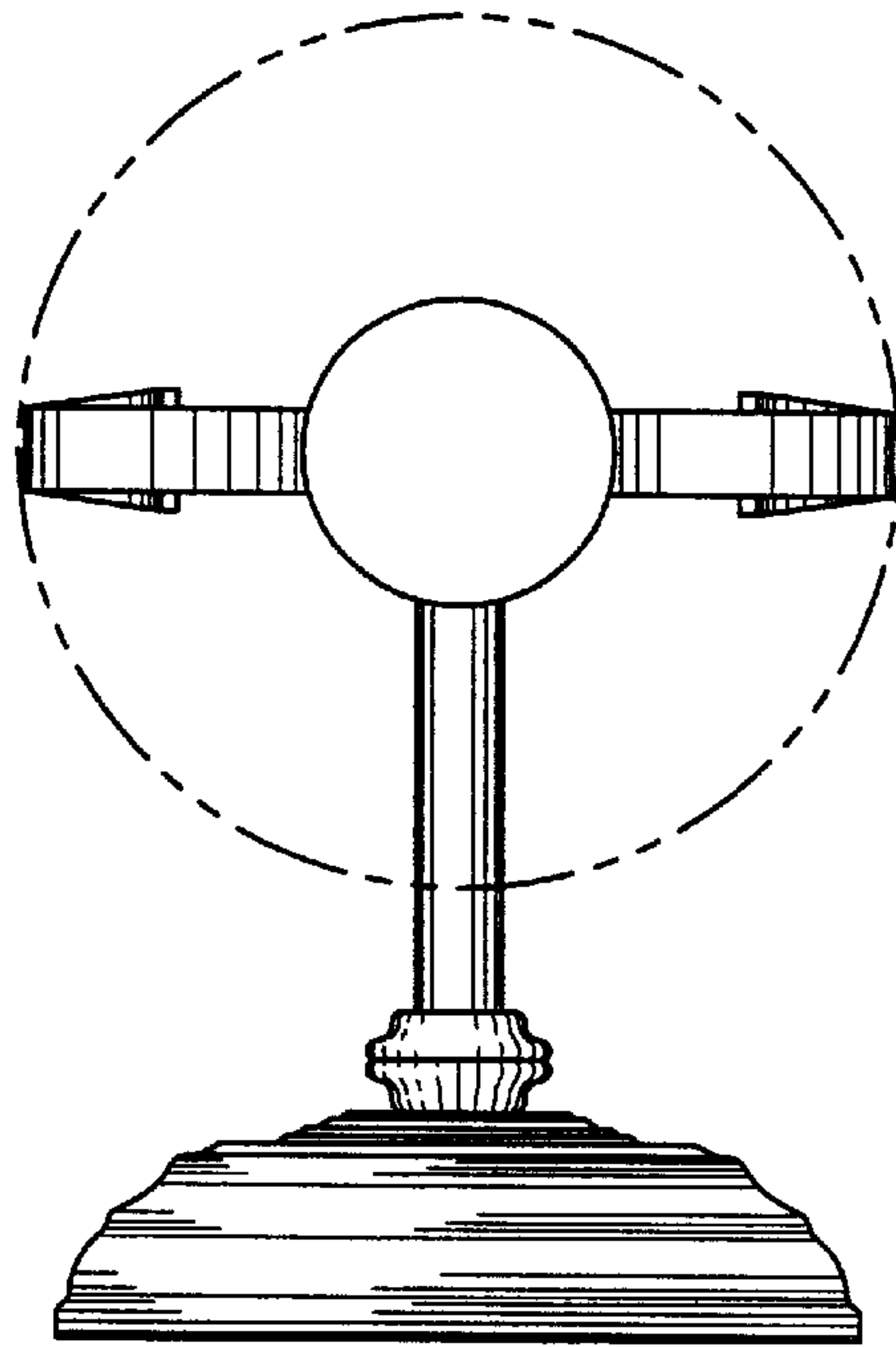


Fig. 5

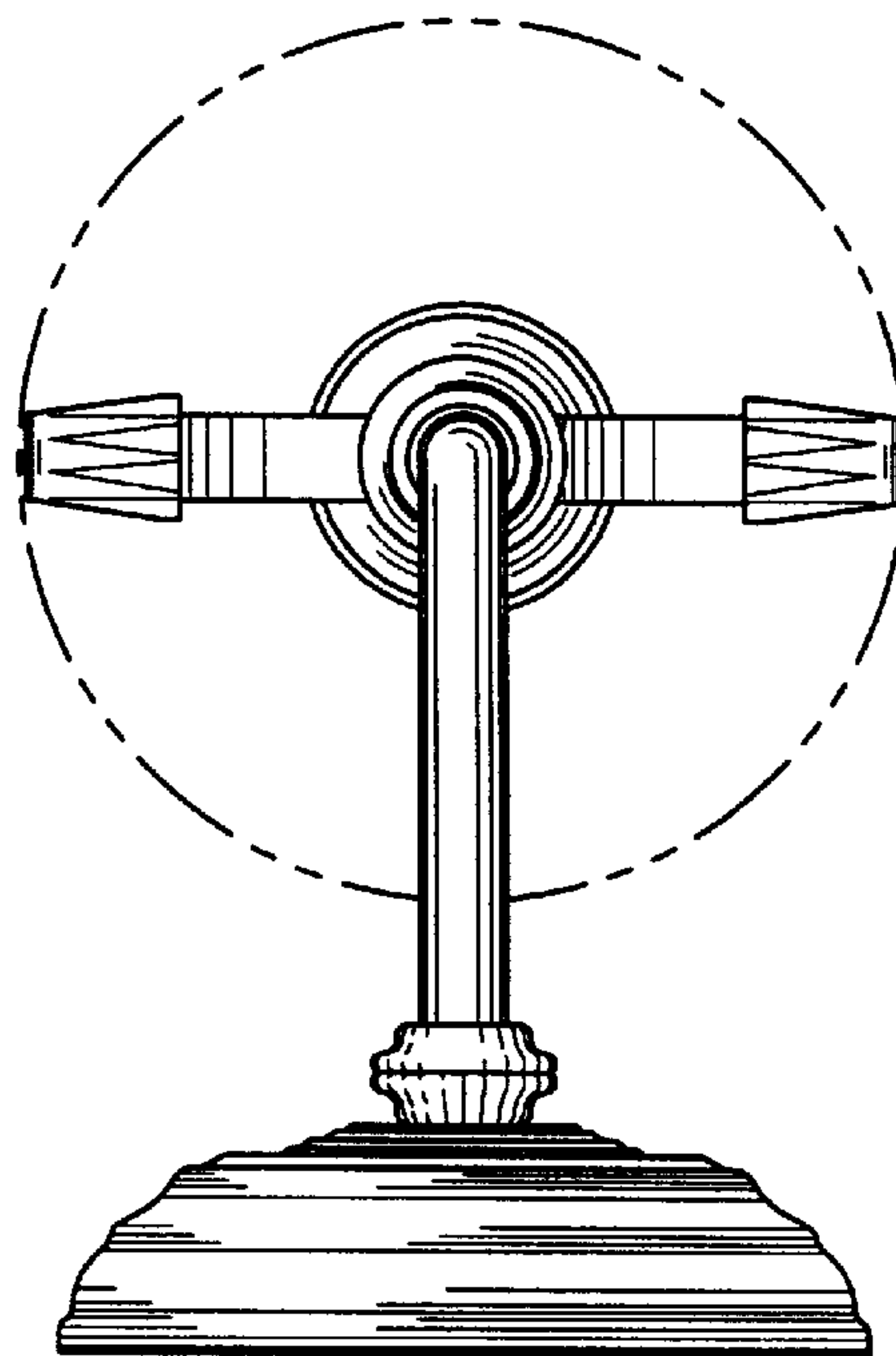


Fig. 6