



US00D413176S

United States Patent [19] Mier-Langner

[11] **Patent Number: Des. 413,176**

[45] **Date of Patent: ** Aug. 24, 1999**

[54] **TRIPLE TUBE SCOOP LIGHTING FIXTURE**

4,489,368 12/1984 Sangiamo et al. 362/427 X
5,130,910 7/1992 Engel 362/217

[75] Inventor: **Alejandro Mier-Langner**, Providence, R.I.

Primary Examiner—Susan J. Lucas
Attorney, Agent, or Firm—Hopgood, Calimafde, Kalil & Judlowe, LLP

[73] Assignee: **Lightolier Division of Genlyte Group Inc.**, Fall River, Mass.

[**] Term: **14 Years**

[57] **CLAIM**

The ornamental design for a triple tube scoop lighting fixture, as shown and described.

[21] Appl. No.: **29/086,648**

DESCRIPTION

[22] Filed: **Apr. 16, 1998**

[51] **LOC (6) Cl.** **26-05**

[52] **U.S. Cl.** **D26/63; D26/78**

[58] **Field of Search** D26/72, 75, 76,
D26/77, 78, 79, 60, 61, 63, 65; 362/147,
404, 406, 217, 222, 223, 224, 225, 269,
275, 287, 418, 419, 427

FIG. 1 is a perspective view of a triple tube scoop lighting fixture showing my new design;
FIG. 2 is a top plan view thereof;
FIG. 3 is a bottom plan view thereof;
FIG. 4 is a left side elevational view thereof;
FIG. 5 is a right side elevational thereof;
FIG. 6 is a rear elevational view thereof; and,
FIG. 7 is a front elevational view thereof.

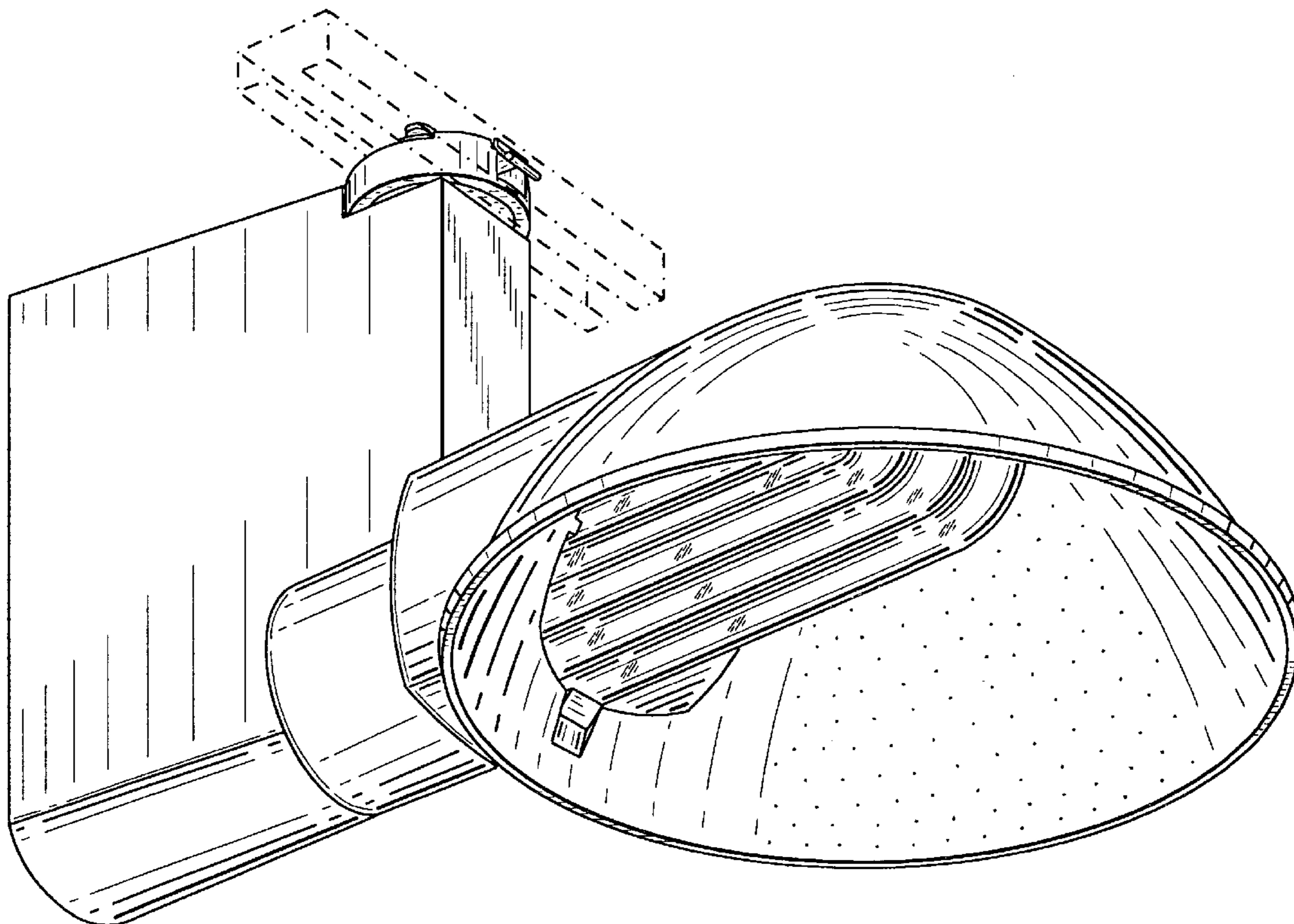
[56] **References Cited**

The broken lines in FIG. 1 are shown for illustrative purposes only and form no part of the claimed design.

U.S. PATENT DOCUMENTS

D. 380,847 7/1997 Mier-Langner et al. D26/63
D. 389,260 1/1998 Mier-Langner D26/63

1 Claim, 4 Drawing Sheets



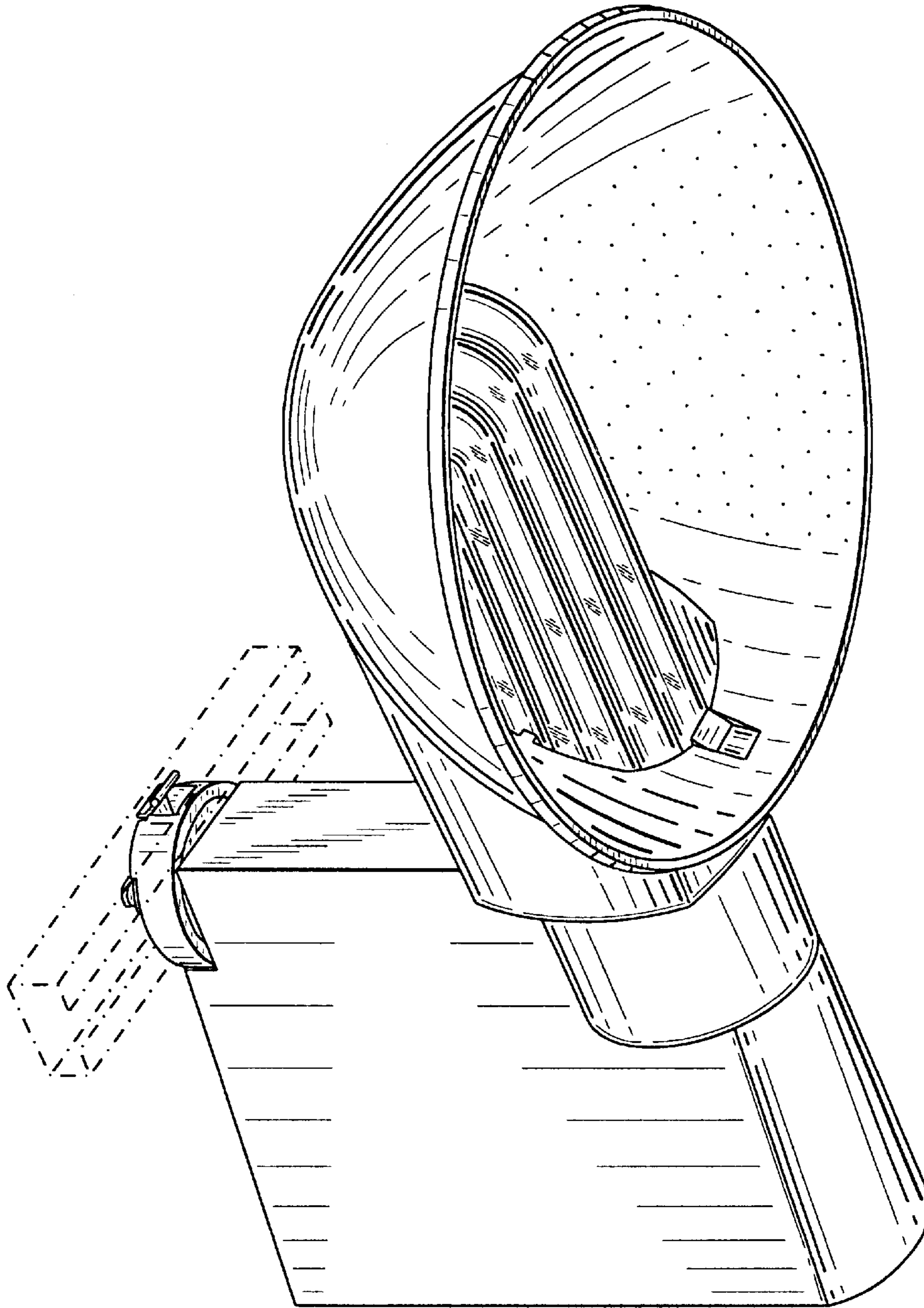


FIG. 1

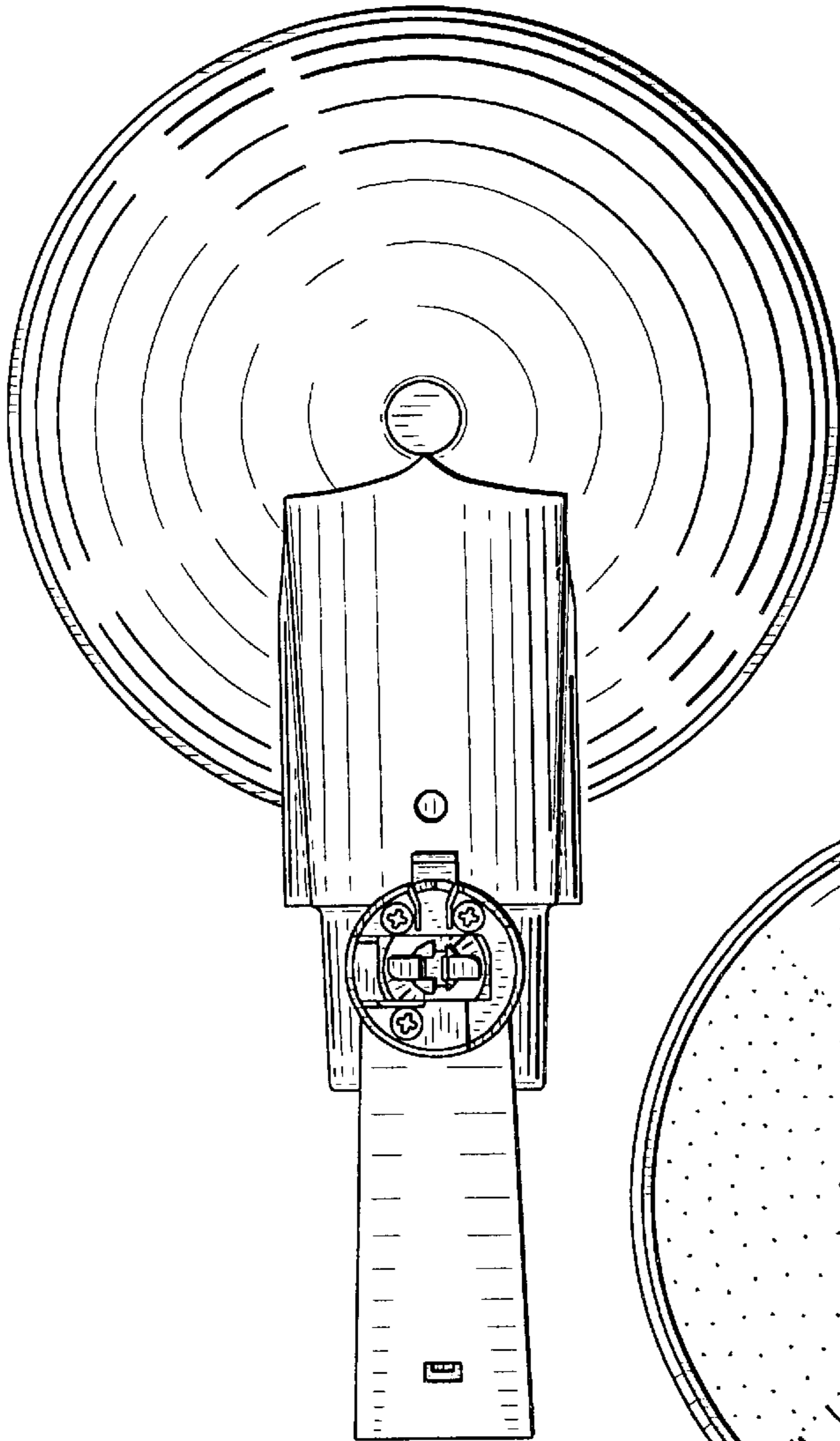


FIG. 2

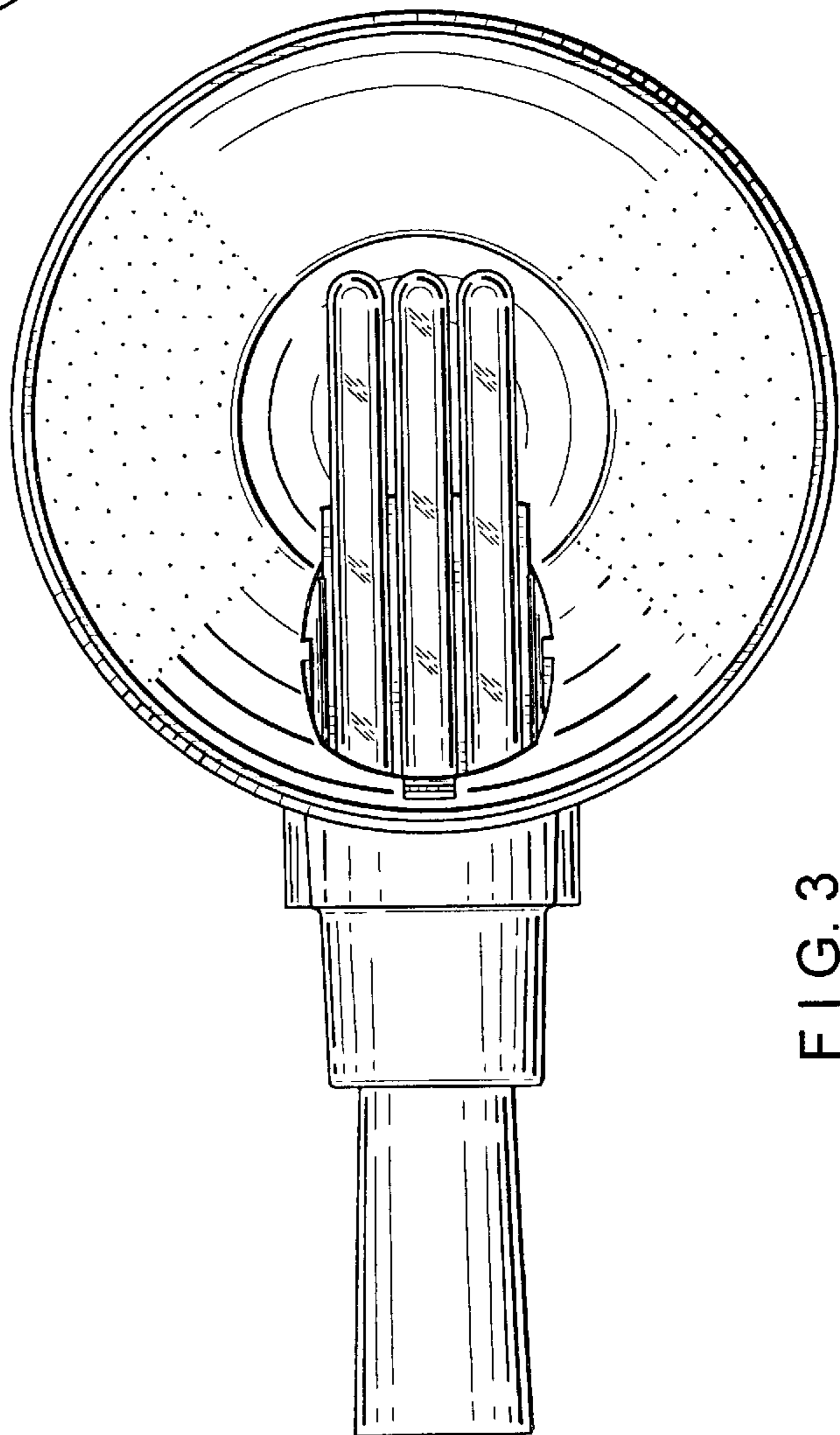


FIG. 3

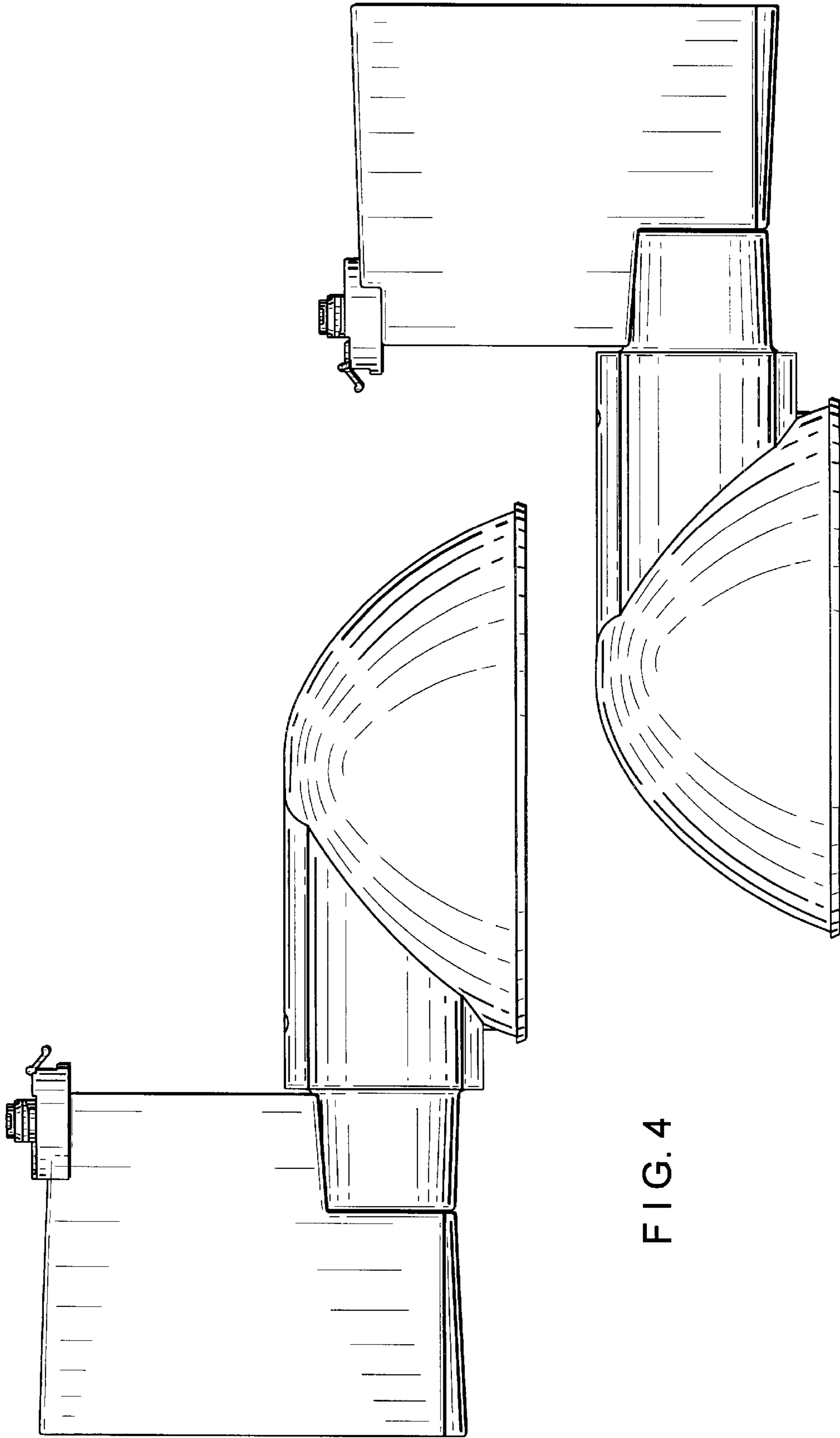


FIG. 4

FIG. 5

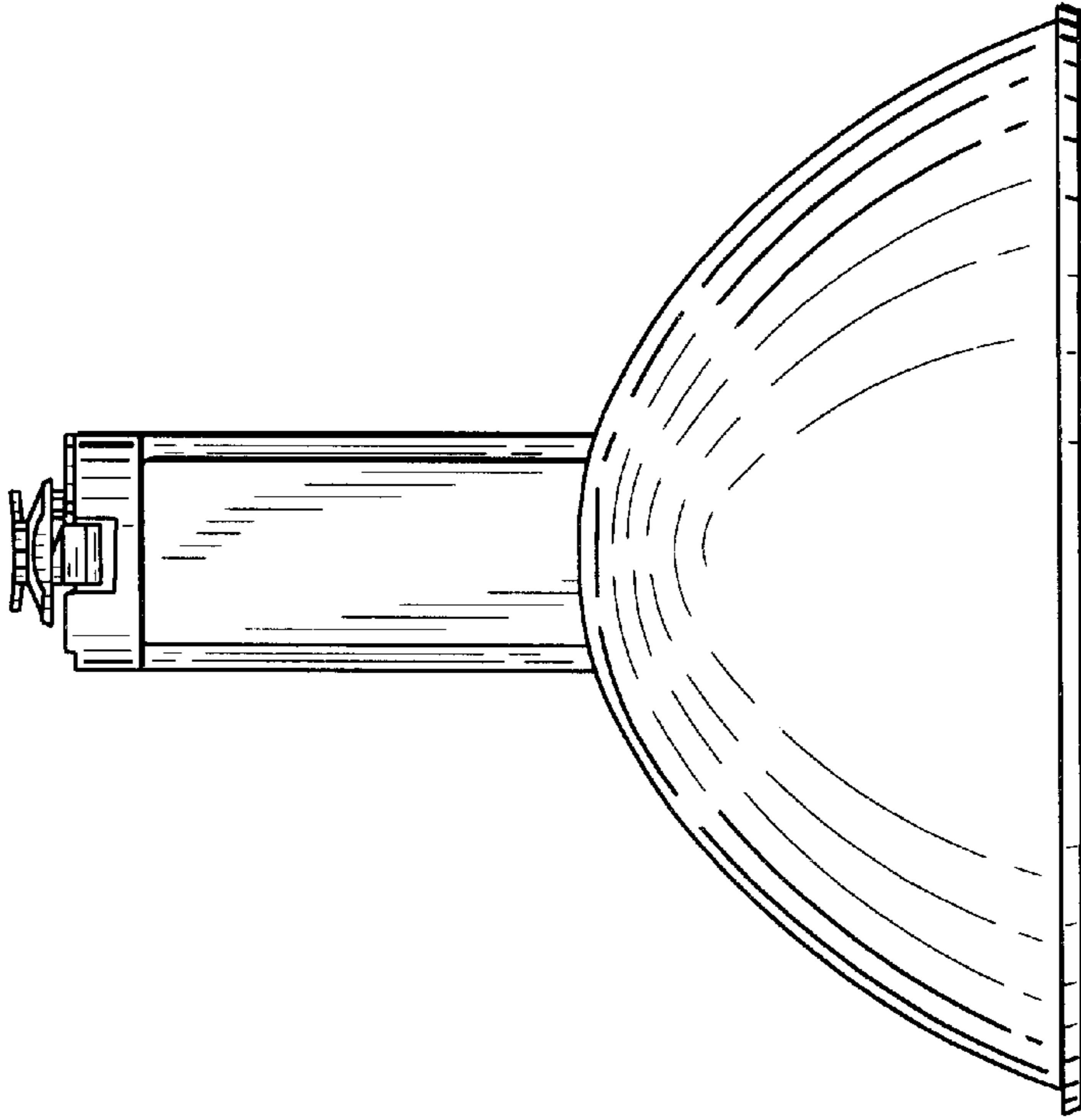


FIG. 7

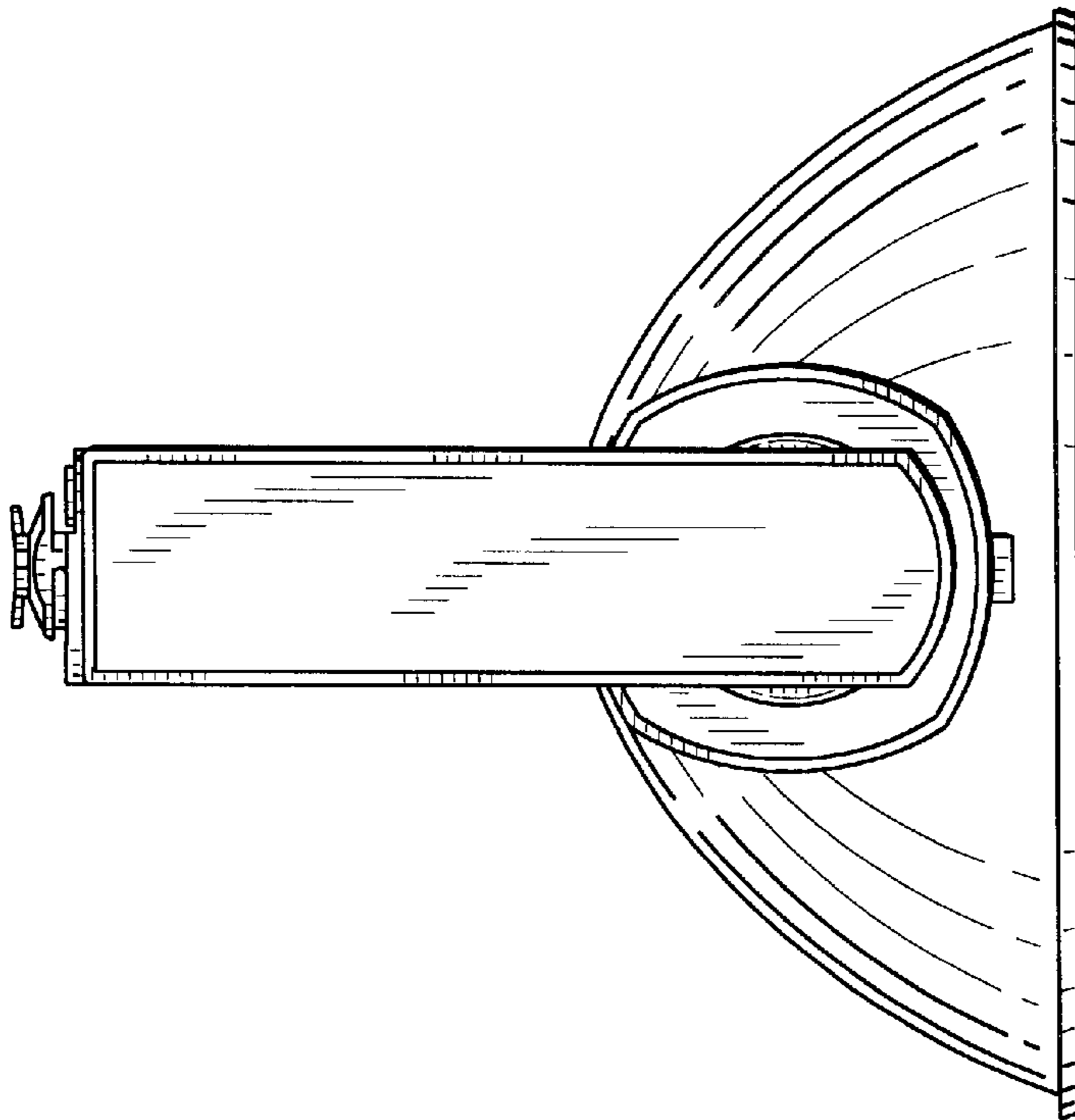


FIG. 6