



US00D413175S

United States Patent [19]

Kaiser et al.

[11] Patent Number: Des. 413,175

[45] Date of Patent: ** Aug. 24, 1999

[54] FLEXIBLE LIGHT

[75] Inventors: **David W. Kaiser**, North Haven;
Patrick B. Nolan, Westport; **Glen Nielsen**, Kent; **Richard I. Farrington**, Seymour; **Richard J. Carbone**, Southbury; **John G. Rousso**, Beacon Falls, all of Conn.

[73] Assignee: **Black & Decker Inc.**, Newark, Del.

[**] Term: **14 Years**

[21] Appl. No.: **29/063,386**

[22] Filed: **Dec. 6, 1996**

[51] LOC (6) Cl. **26-03**

[52] U.S. Cl. **D26/43**

[58] Field of Search D26/37-50; 362/157,
362/158, 184, 188, 189, 191, 198, 199,
200, 255, 396

[56] References Cited

U.S. PATENT DOCUMENTS

D. 344,150 2/1994 Elmhauser D26/37

D. 366,710	1/1996	Szymanski	D26/43
D. 369,874	5/1996	Santarsiero	D26/43
D. 372,318	7/1996	Szymanski	D26/43
1,516,364	11/1924	Weeks	362/255
5,385,500	1/1995	Schmidt	362/189

Primary Examiner—Marcus A. Jackson
Attorney, Agent, or Firm—Barry E. Deutsch

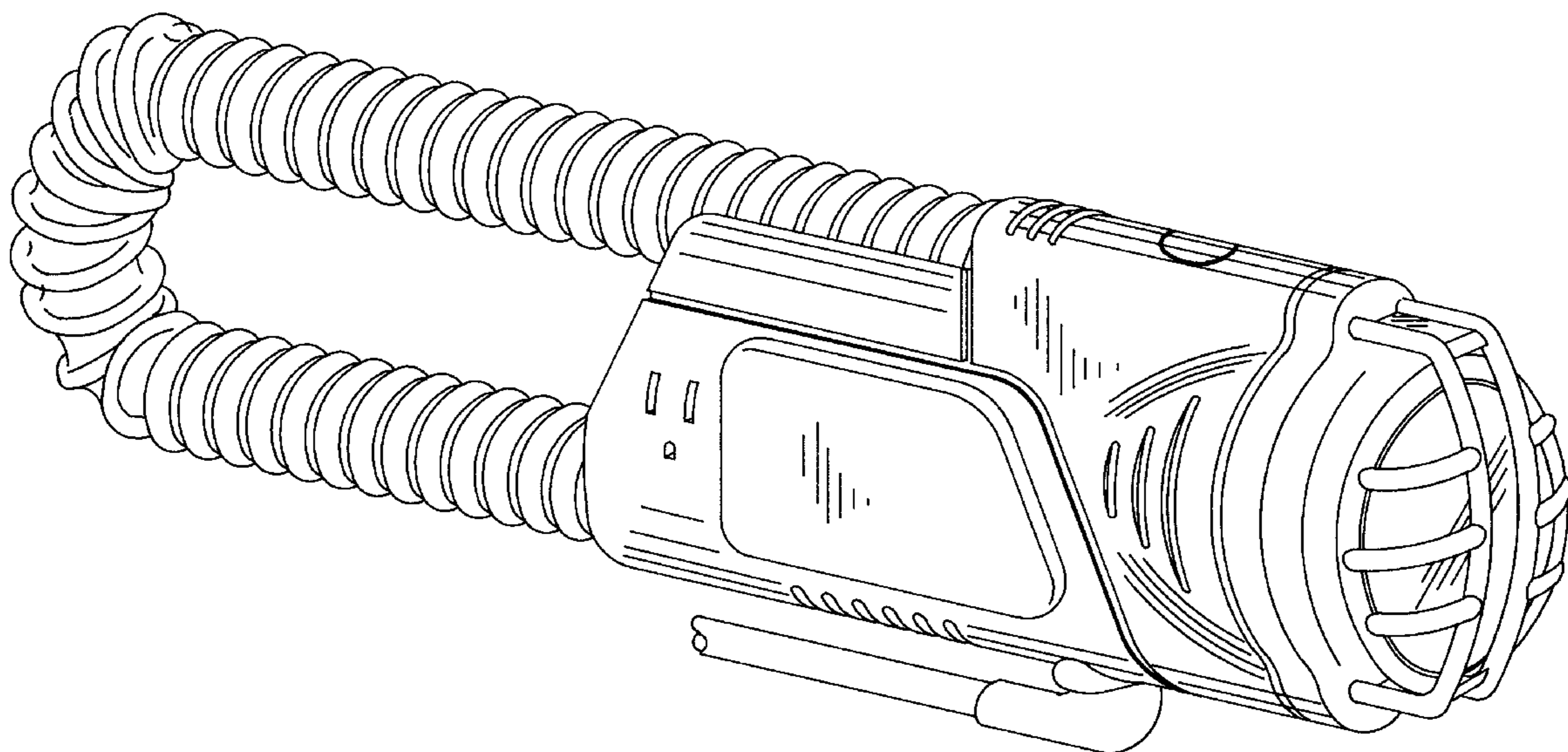
[57] CLAIM

The ornamental design for a flexible light, as shown and described.

DESCRIPTION

FIG. 1 is a perspective view taken from the front, left side, and top of a flexible light illustrating our new design, with the cord broken away to indicate indeterminate length; FIG. 2 is a left side elevational view thereof; FIG. 3 is a right side elevational view thereof; FIG. 4 is a top plan view thereof; FIG. 5 is a bottom plan view thereof; FIG. 6 is a rear elevational view thereof; and, FIG. 7 is a front elevational view thereof.

1 Claim, 4 Drawing Sheets



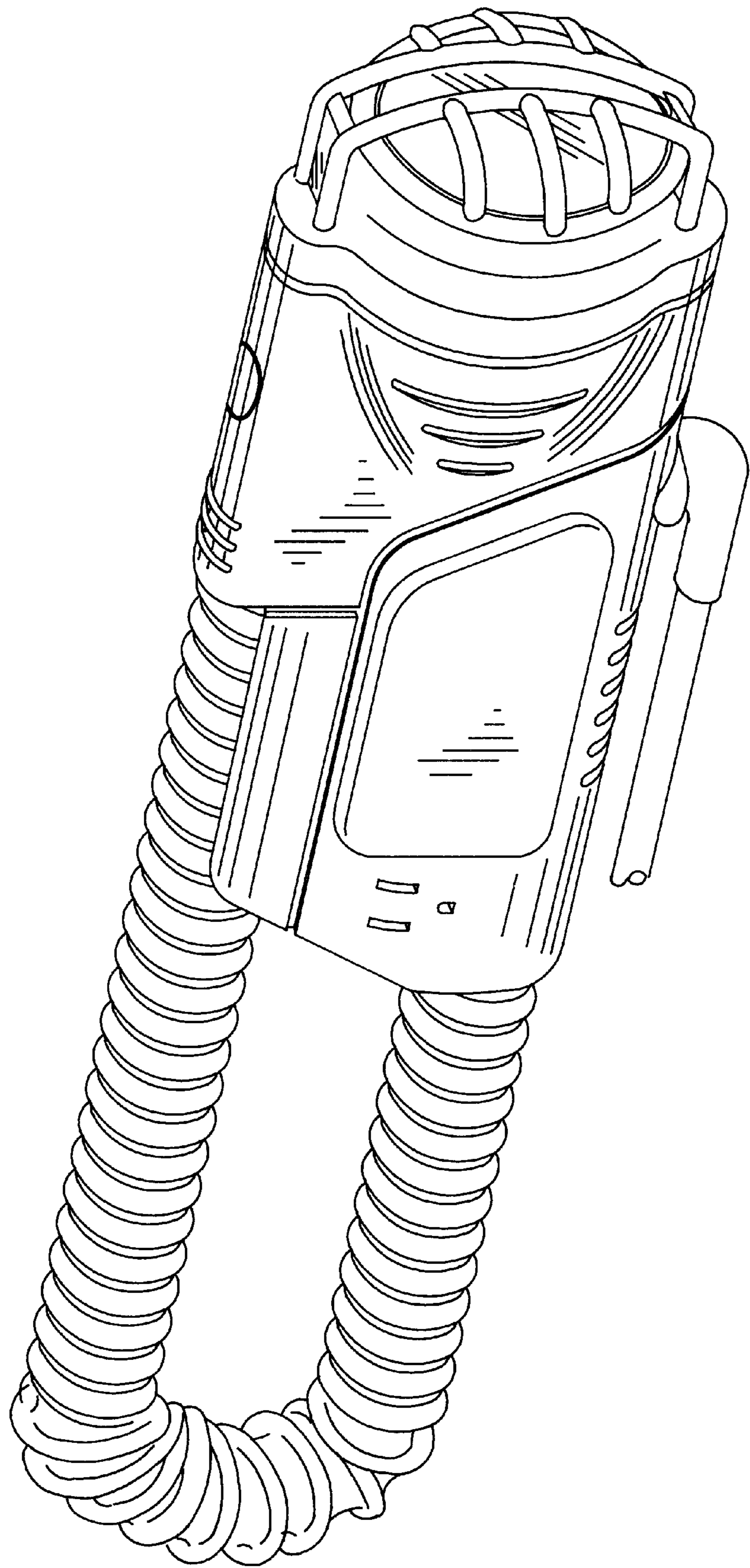


FIG. 1

FIG. 2

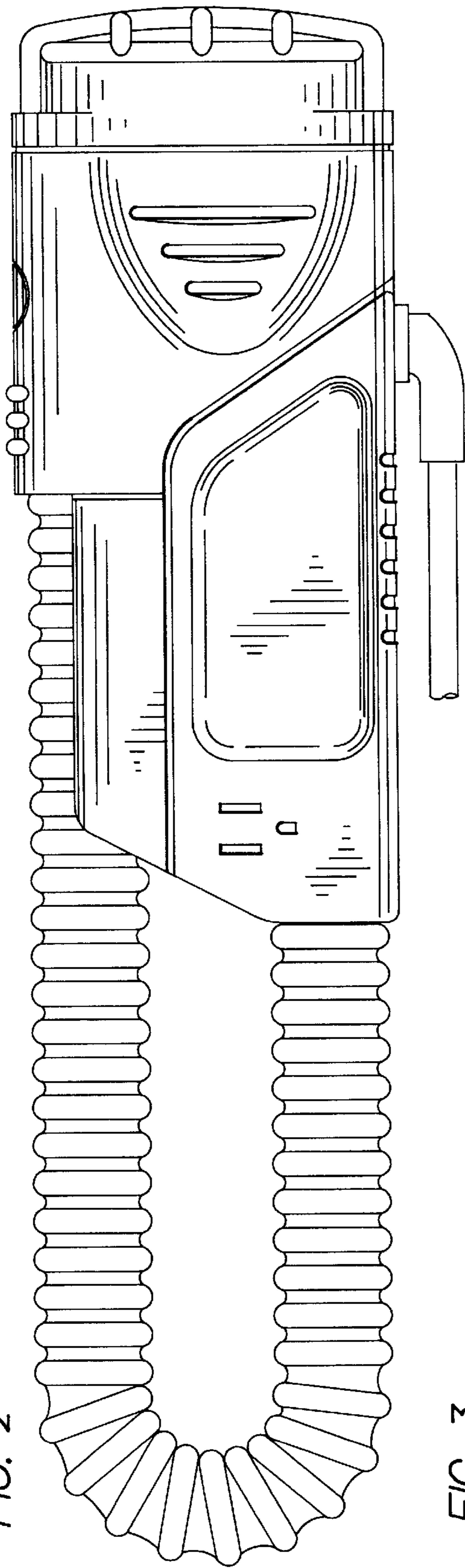


FIG. 3

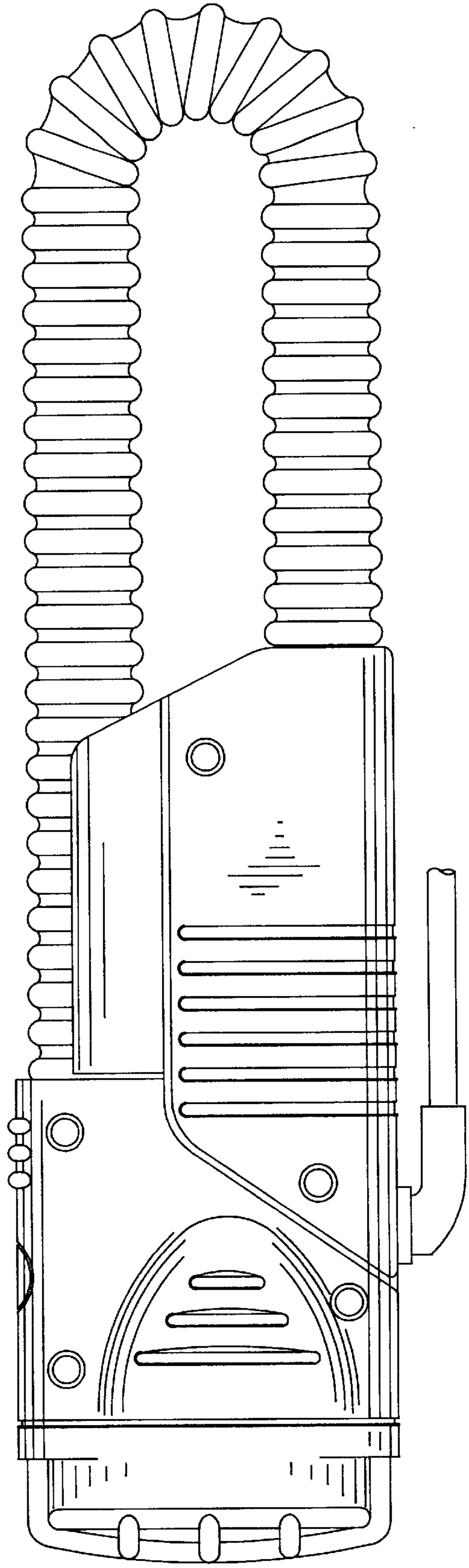


FIG. 4

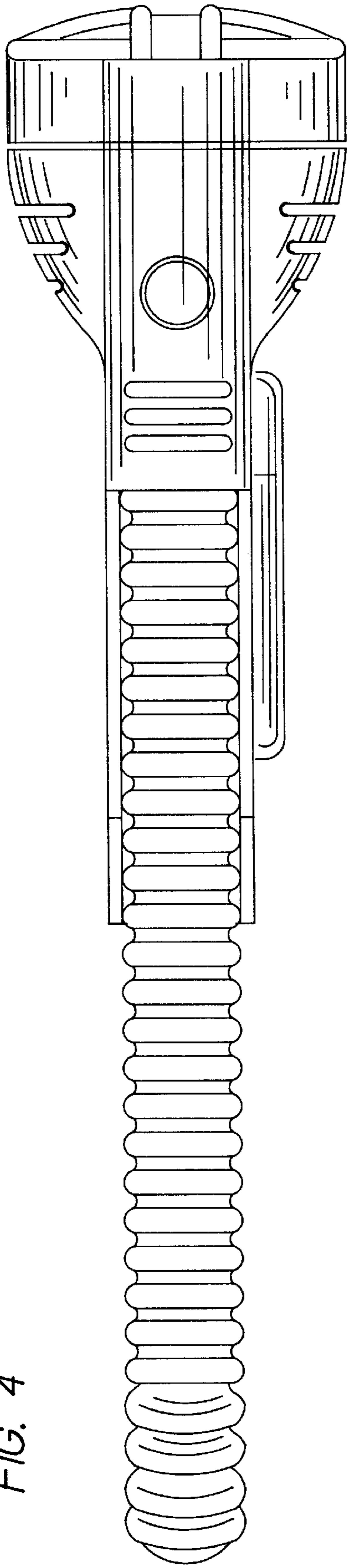


FIG. 5

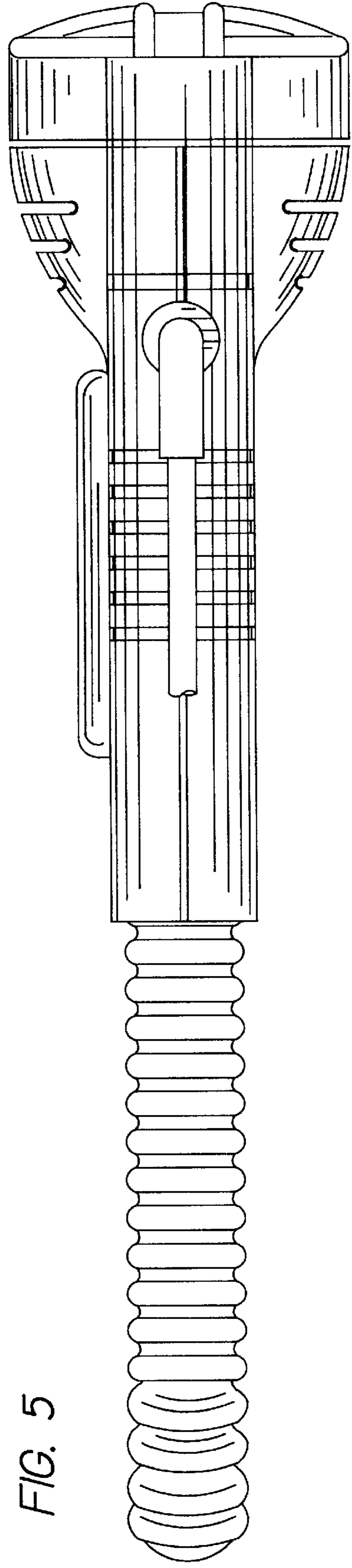


FIG. 6

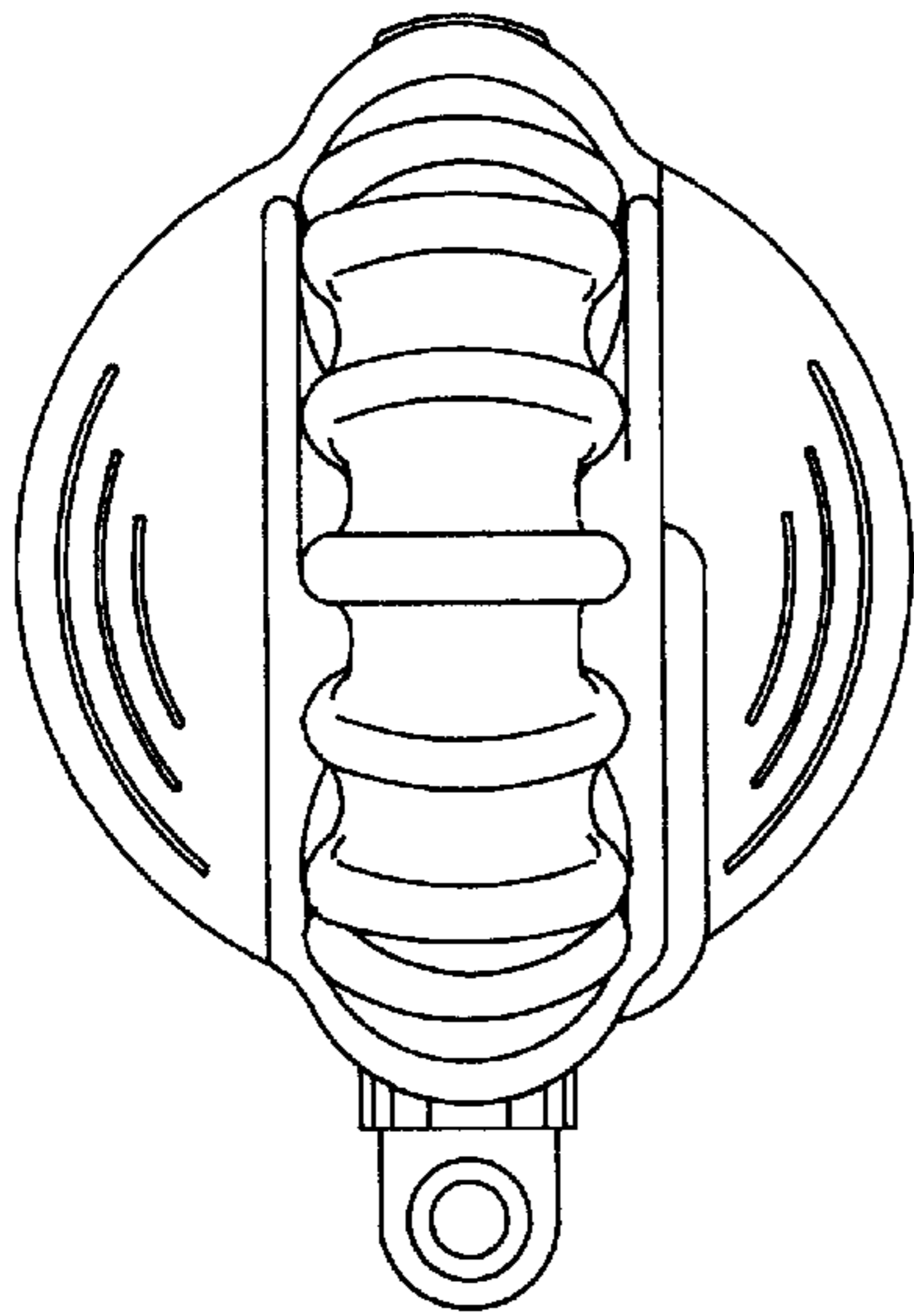


FIG. 7

