



US00D413174S

United States Patent [19]

Mayer et al.

[11] Patent Number: Des. 413,174

[45] Date of Patent: ** Aug. 24, 1999

[54] **COMBINED AUXILIARY LIGHT AND LICENSE PLATE HOLDER**

[75] Inventors: **Mark J. Mayer**, Bolingbrook; **Steven R. Rovtar**, West Chicago, both of Ill.

[73] Assignee: **Cooper Industries, Inc.**, Houston, Tex.

[**] Term: **14 Years**

[21] Appl. No.: **29/080,977**

[22] Filed: **Oct. 31, 1997**

[51] **LOC (6) Cl.** **26-02**

[52] **U.S. Cl.** **D26/28**

[58] **Field of Search** D12/103, 193; D6/300-310; D11/99; D20/35; 40/200-210

[56] **References Cited**

U.S. PATENT DOCUMENTS

D. 163,328	5/1951	Rothman	D12/193
D. 208,051	7/1967	Bott	D12/193
D. 260,936	9/1981	Strand	D20/28
D. 281,490	11/1985	Zien	D12/193
D. 354,087	1/1995	Dunlap et al.	D12/193
D. 370,450	6/1996	Doan	D12/193

D. 396,439	7/1998	Jurnquest	D12/193
2,831,281	4/1958	Nayman	D12/193
3,811,042	5/1974	Morrison	240/7.1 R
4,255,887	3/1981	Murai	40/206
5,029,053	7/1991	Solow	362/83.2
5,150,960	9/1992	Redick	362/83.2

Primary Examiner—Marcus A. Jackson
Attorney, Agent, or Firm—Fish & Richardson PC

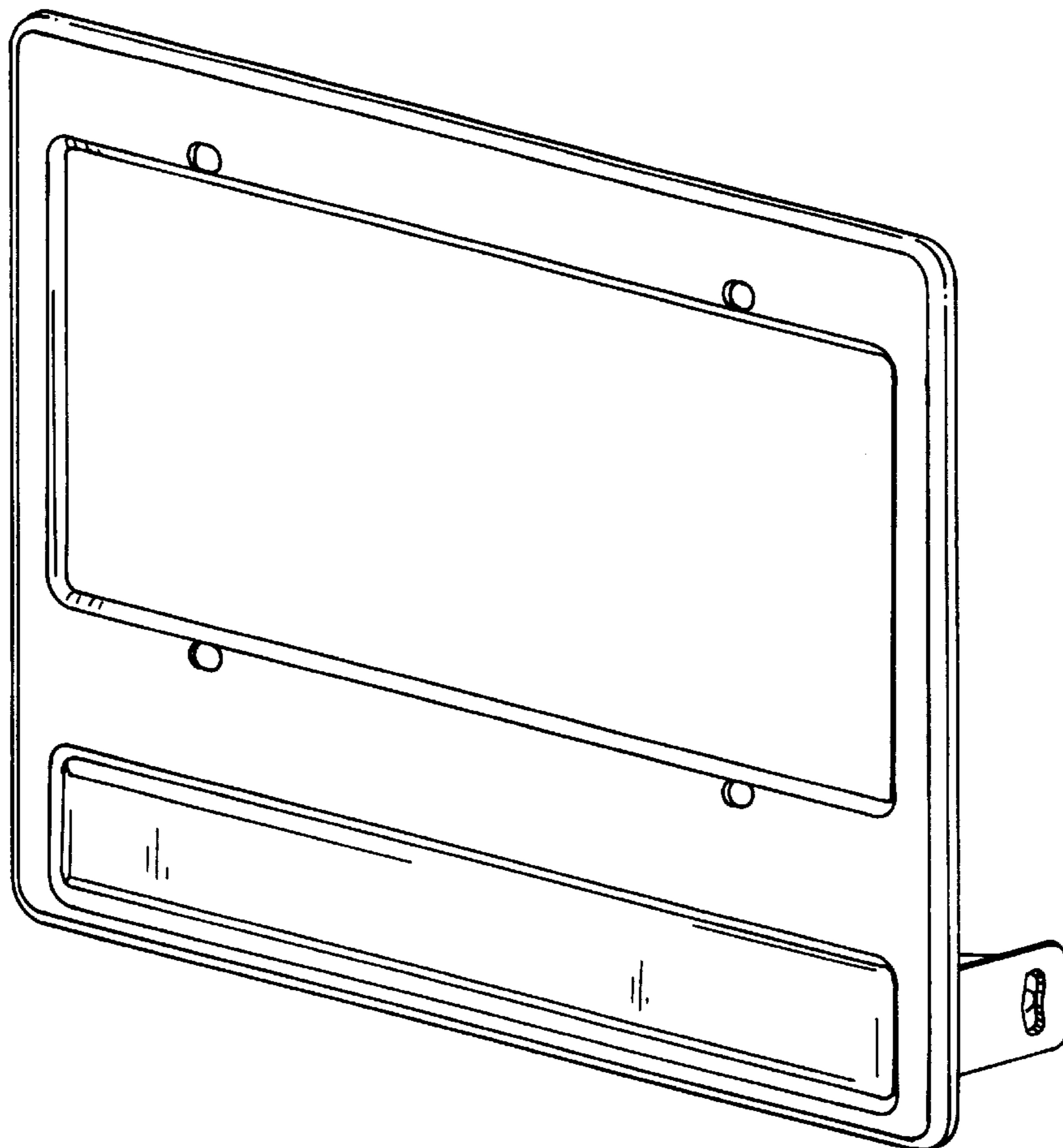
[57] **CLAIM**

The ornamental design for a combined auxiliary light and license plate holder, as shown and described.

DESCRIPTION

FIG. 1 is a perspective view of a combined auxiliary light and license plate holder showing our new design; FIG. 2 is a side elevation view thereof; FIG. 3 is a side elevation view thereof, opposite that shown in FIG. 2; FIG. 4 is a front elevation view thereof; FIG. 5 is a rear elevation view thereof; FIG. 6 is a top plan view thereof; and, FIG. 7 is a bottom plan view thereof.

1 Claim, 6 Drawing Sheets



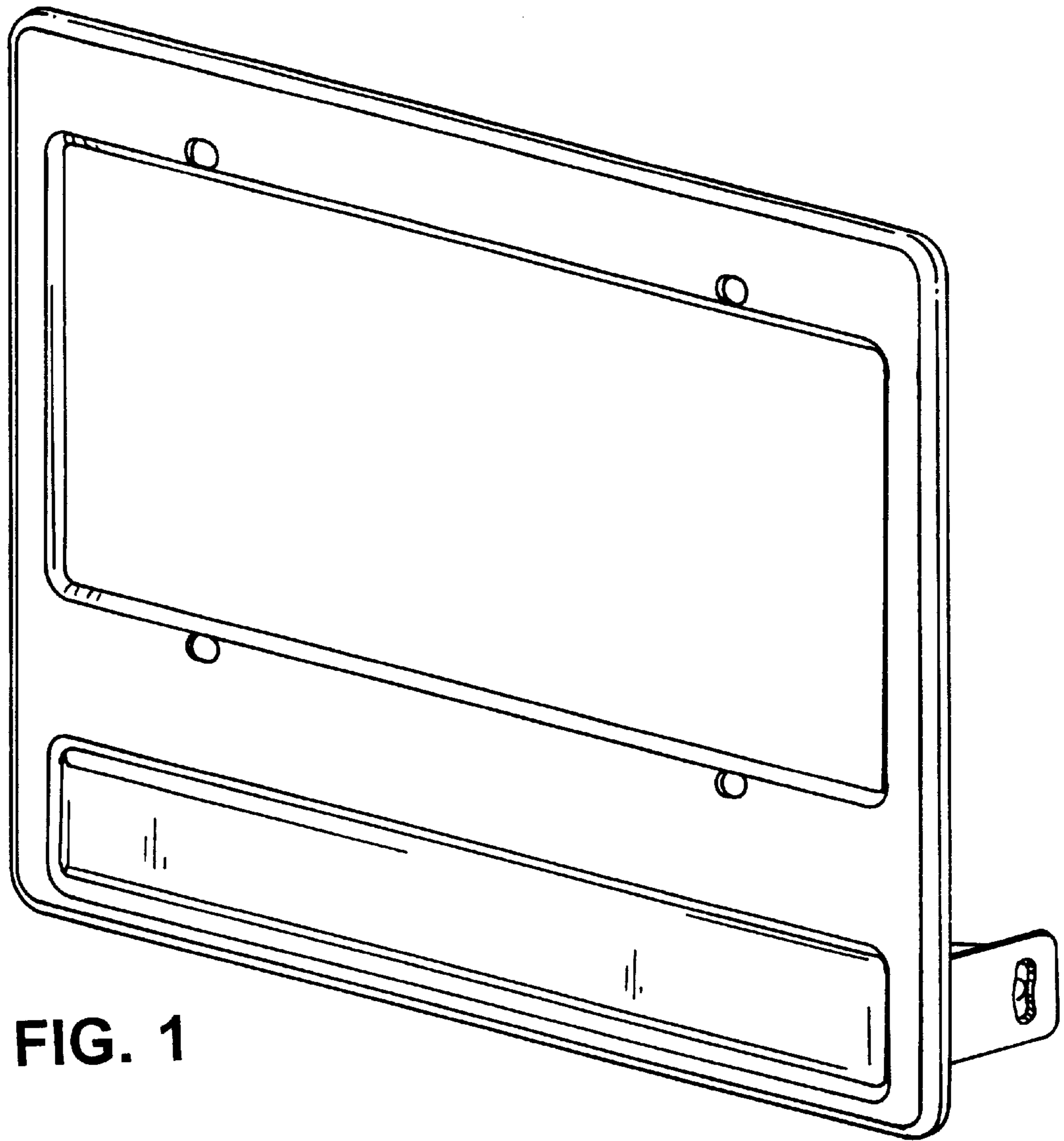


FIG. 1

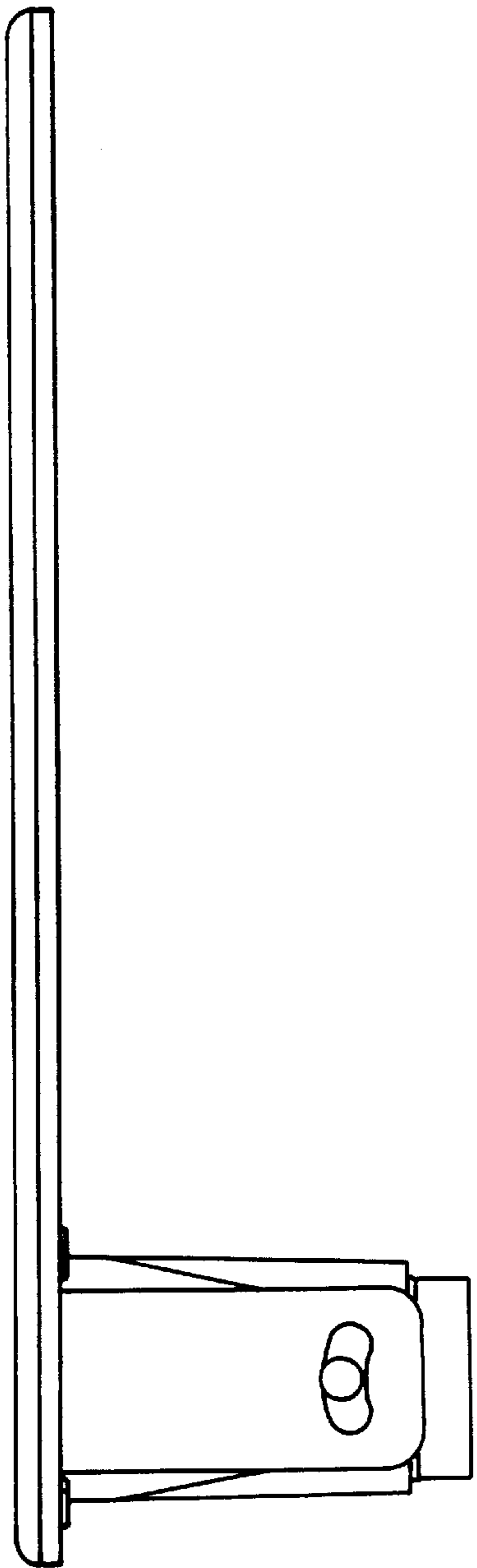


FIG. 2

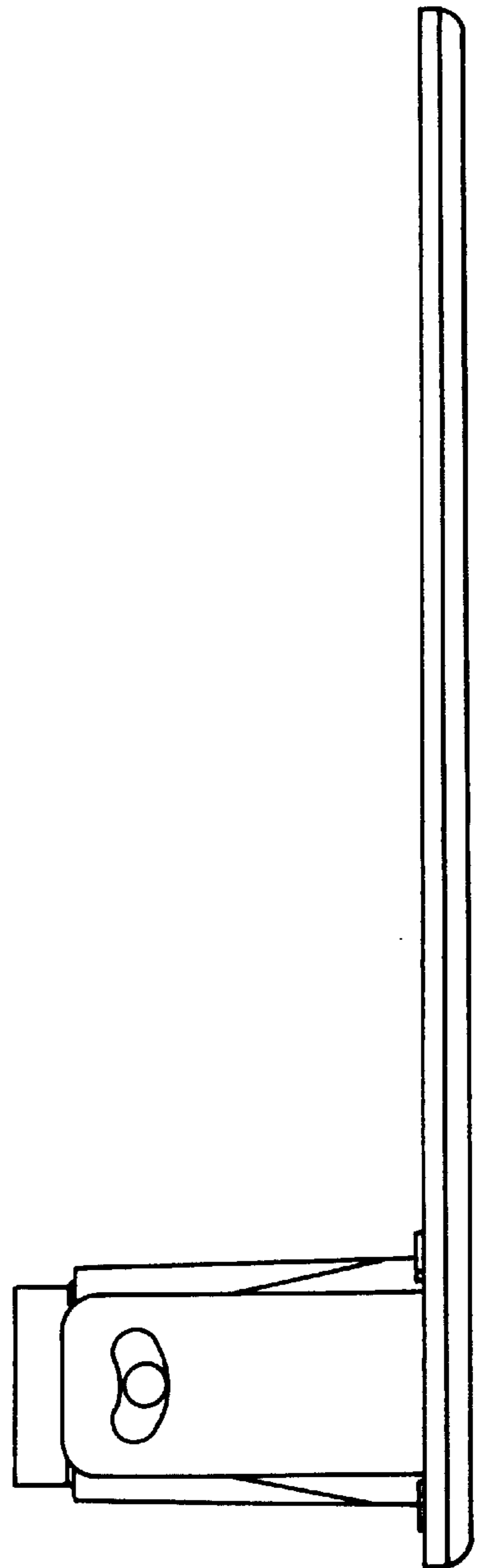


FIG. 3

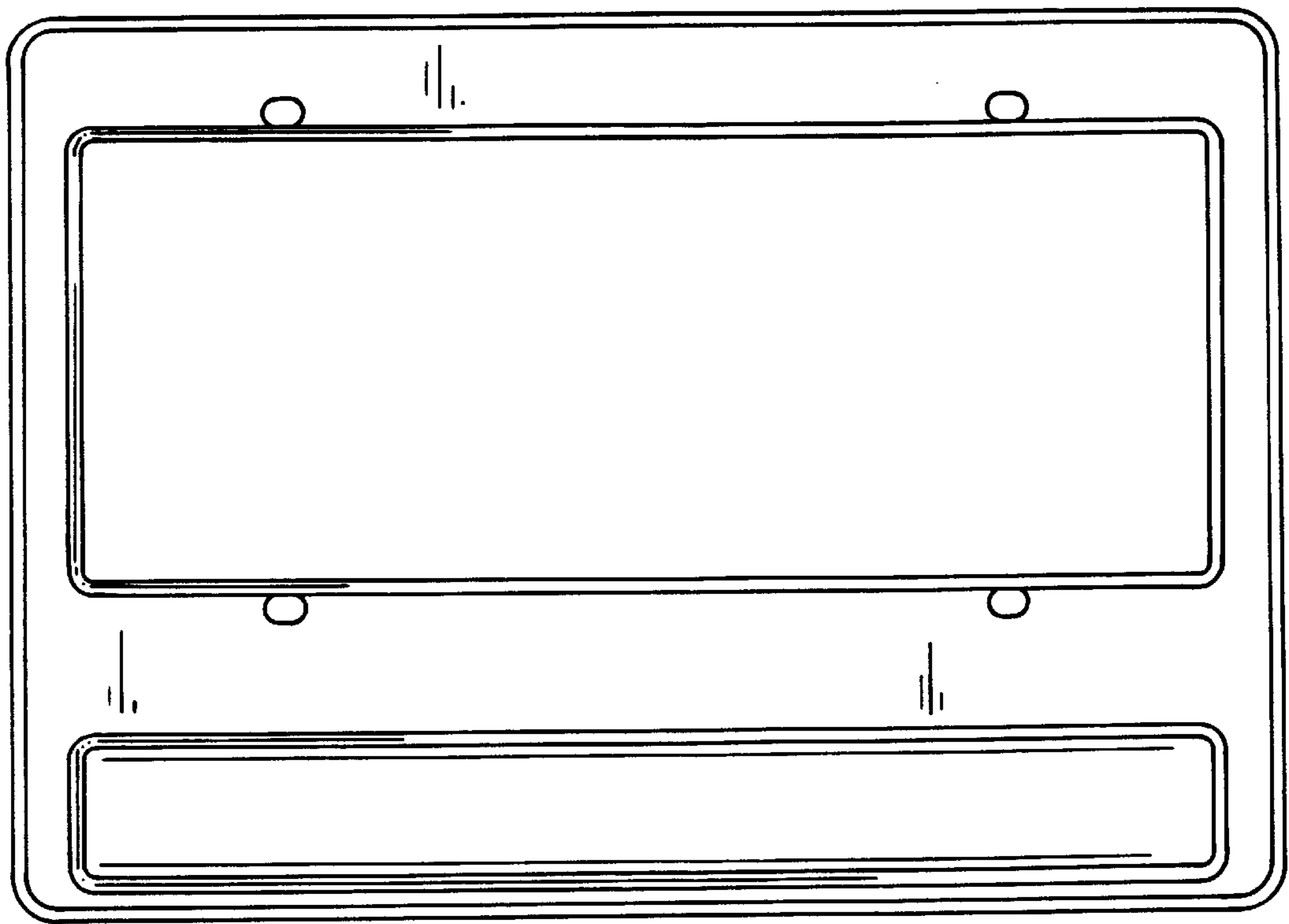


FIG. 4

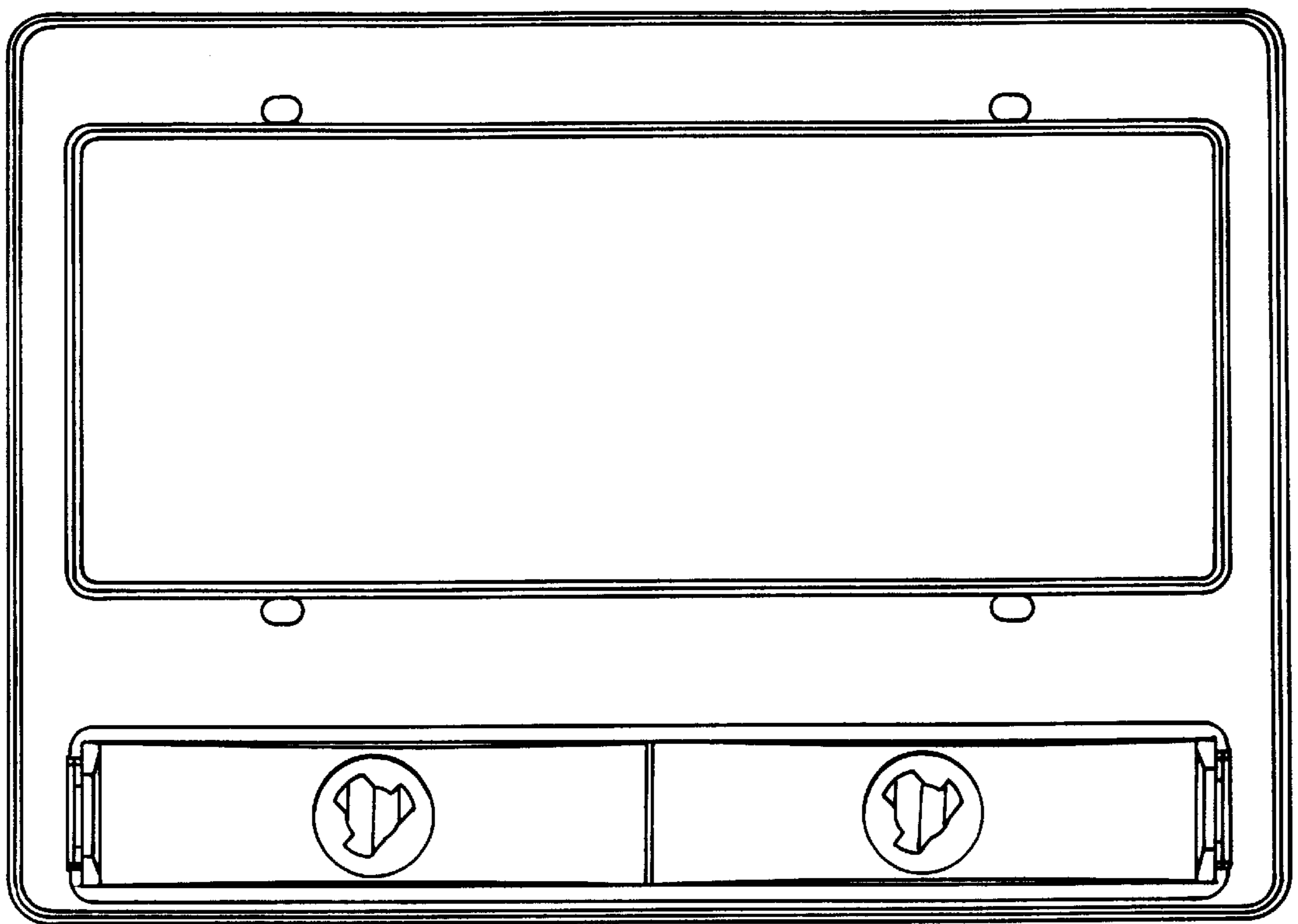


FIG. 5

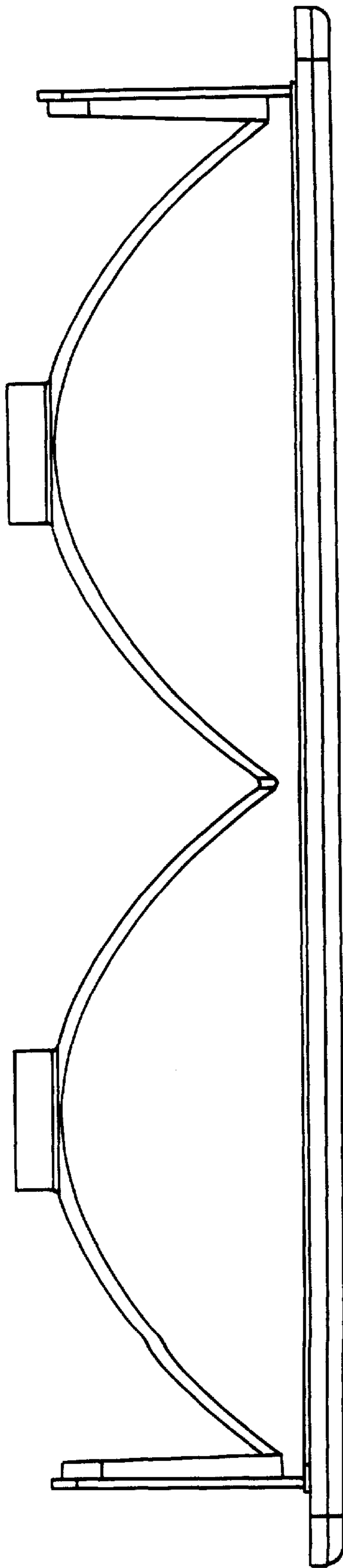


FIG. 6

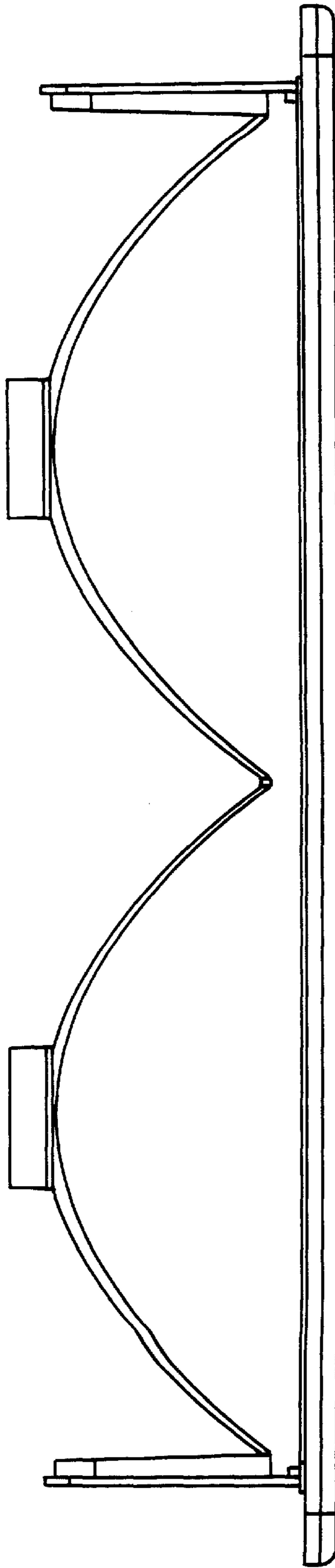


FIG. 7