



US00D413171S

**United States Patent** [19]  
**Chen**

[11] **Patent Number: Des. 413,171**

[45] **Date of Patent: \*\* \*Aug. 24, 1999**

[54] **TOP SURFACE FOR A HALOGEN BULB**

[76] Inventor: **Jason Chen**, 7 Fl 10-1 Alley, 17 Lane  
330 Yenshow Street, Taipei, Taiwan

[\*\*] Term: **14 Years**

[21] Appl. No.: **29/081,411**

[22] Filed: **Dec. 31, 1997**

[51] **LOC (6) Cl.** ..... **26-04**

[52] **U.S. Cl.** ..... **D26/2**

[58] **Field of Search** ..... D26/1, 2, 3, 4;  
362/326, 327, 328, 329, 330-340; 313/113,  
315, 318

[56] **References Cited**

**U.S. PATENT DOCUMENTS**

- D. 388,726 1/1998 Wu ..... D20/2
- D. 395,092 6/1998 Vakil ..... D26/2

*Primary Examiner*—Marcus A. Jackson

*Attorney, Agent, or Firm*—Seidel, Gonda, Lavorgna & Monaco, PC

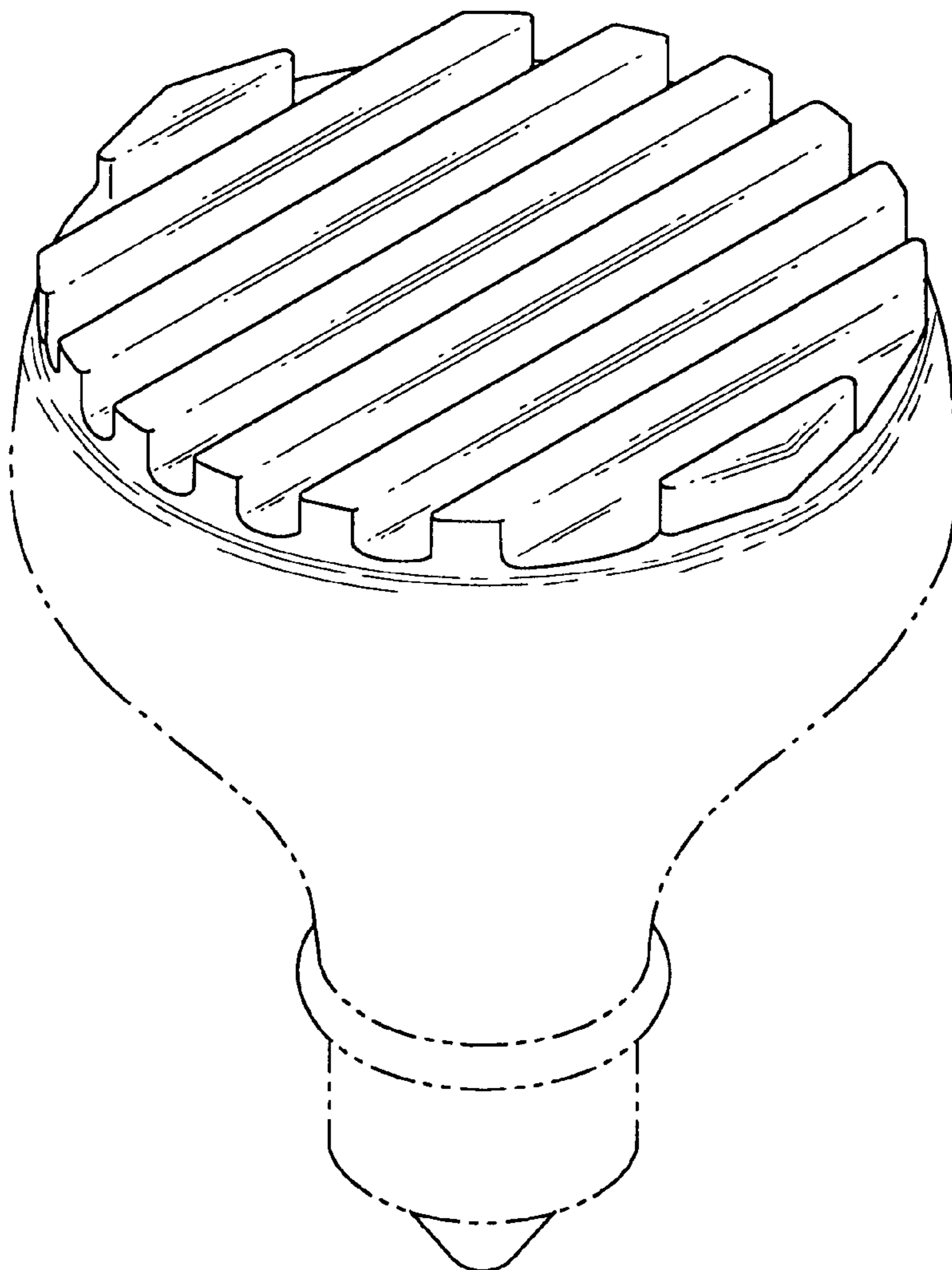
[57] **CLAIM**

The ornamental design for a top surface for a halogen bulb, as shown and described.

**DESCRIPTION**

FIG. 1 is a perspective view of a third embodiment of a top surface for a halogen bulb showing my new design;  
 FIG. 2 is a top plan view of a top surface for a halogen bulb as shown in FIG. 1;  
 FIG. 3 is a bottom plan view of a top surface for a halogen bulb as shown in FIG. 1;  
 FIG. 4 is a front side elevational view of a top surface for a halogen bulb as shown in FIG. 1, the rear side elevational view is identical; and,  
 FIG. 5 is a right side elevational view of a top surface for a halogen bulb as shown in FIG. 1, the left side elevational view is identical.

**1 Claim, 3 Drawing Sheets**



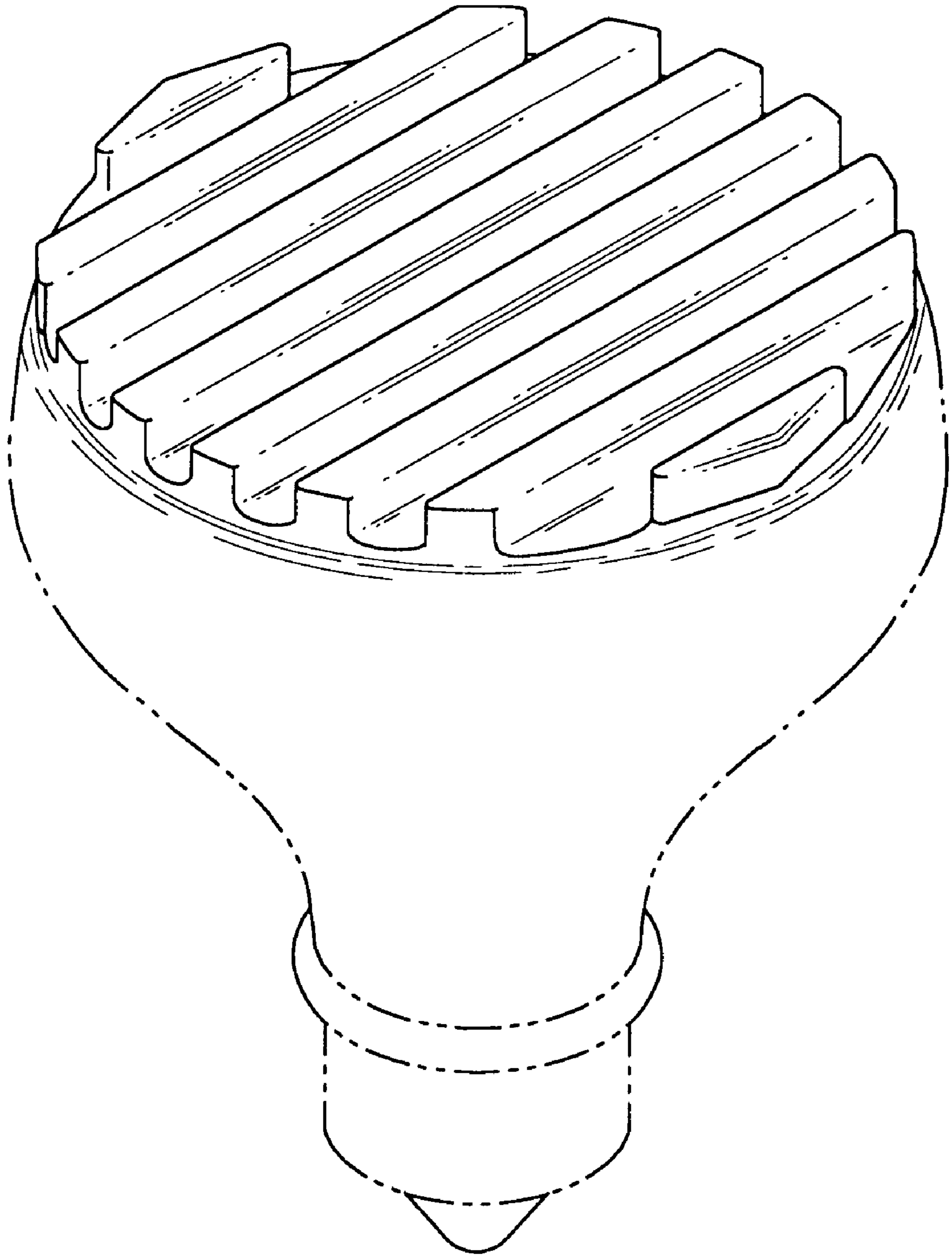


FIG. 1

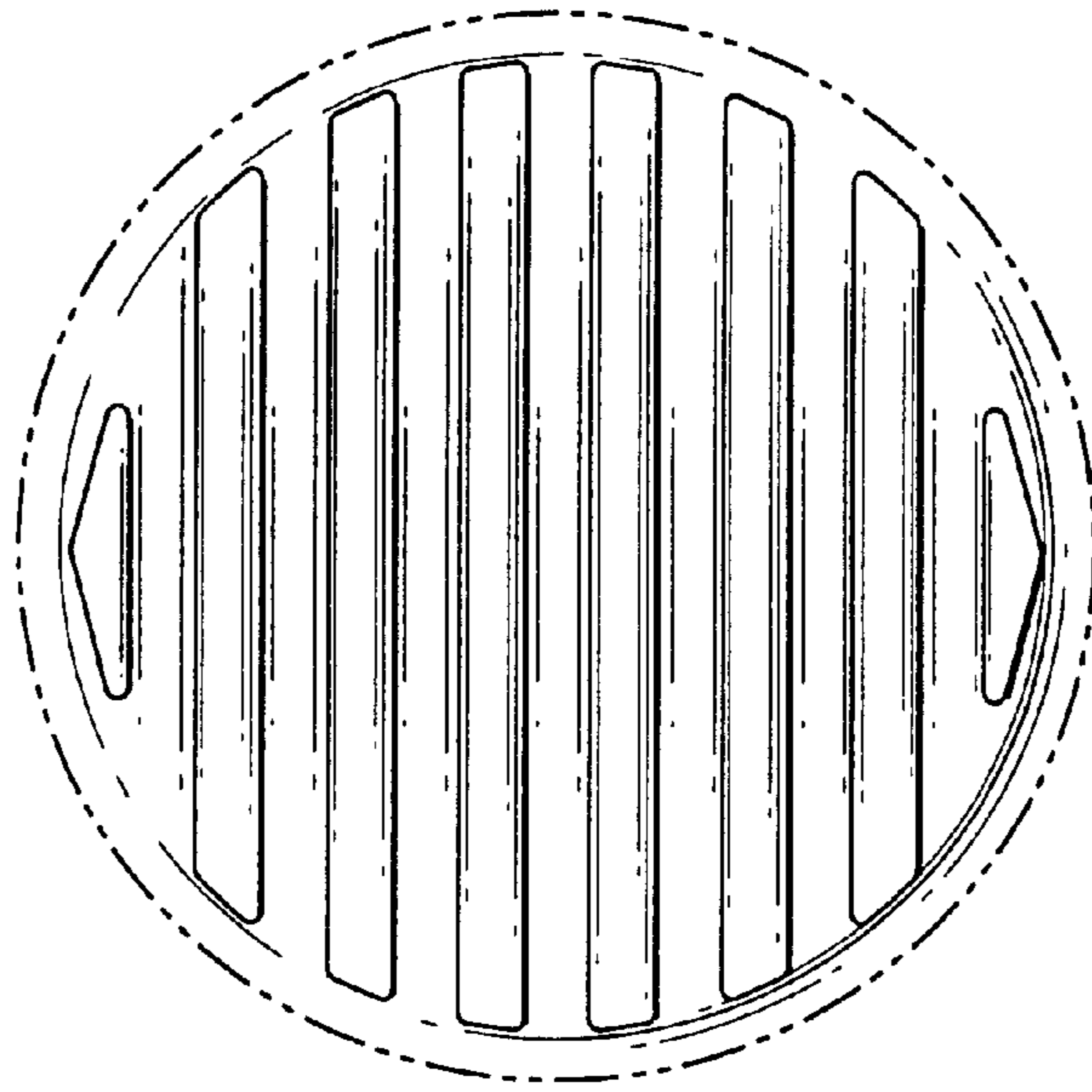


FIG. 2

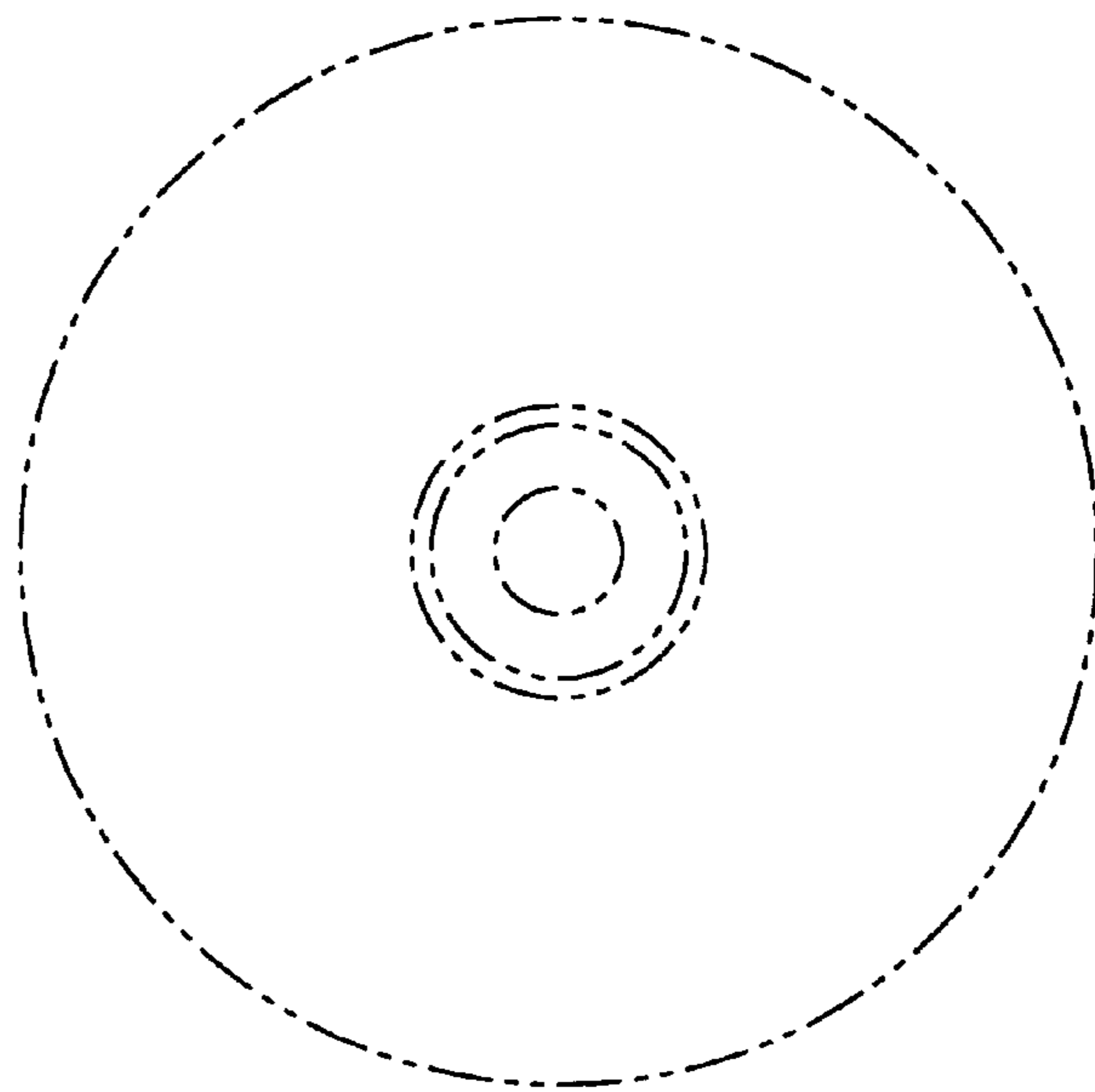


FIG. 3

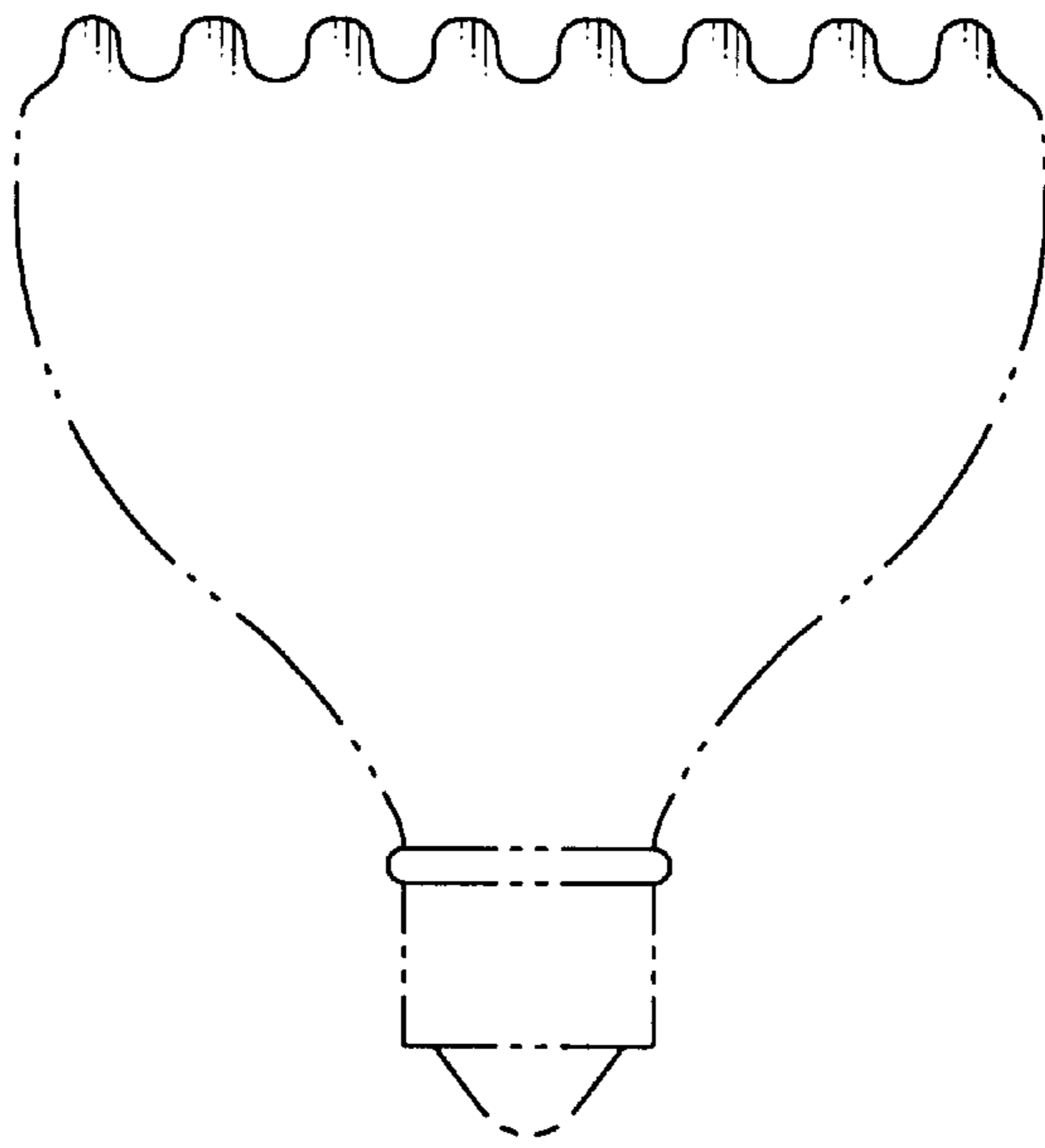


FIG. 4

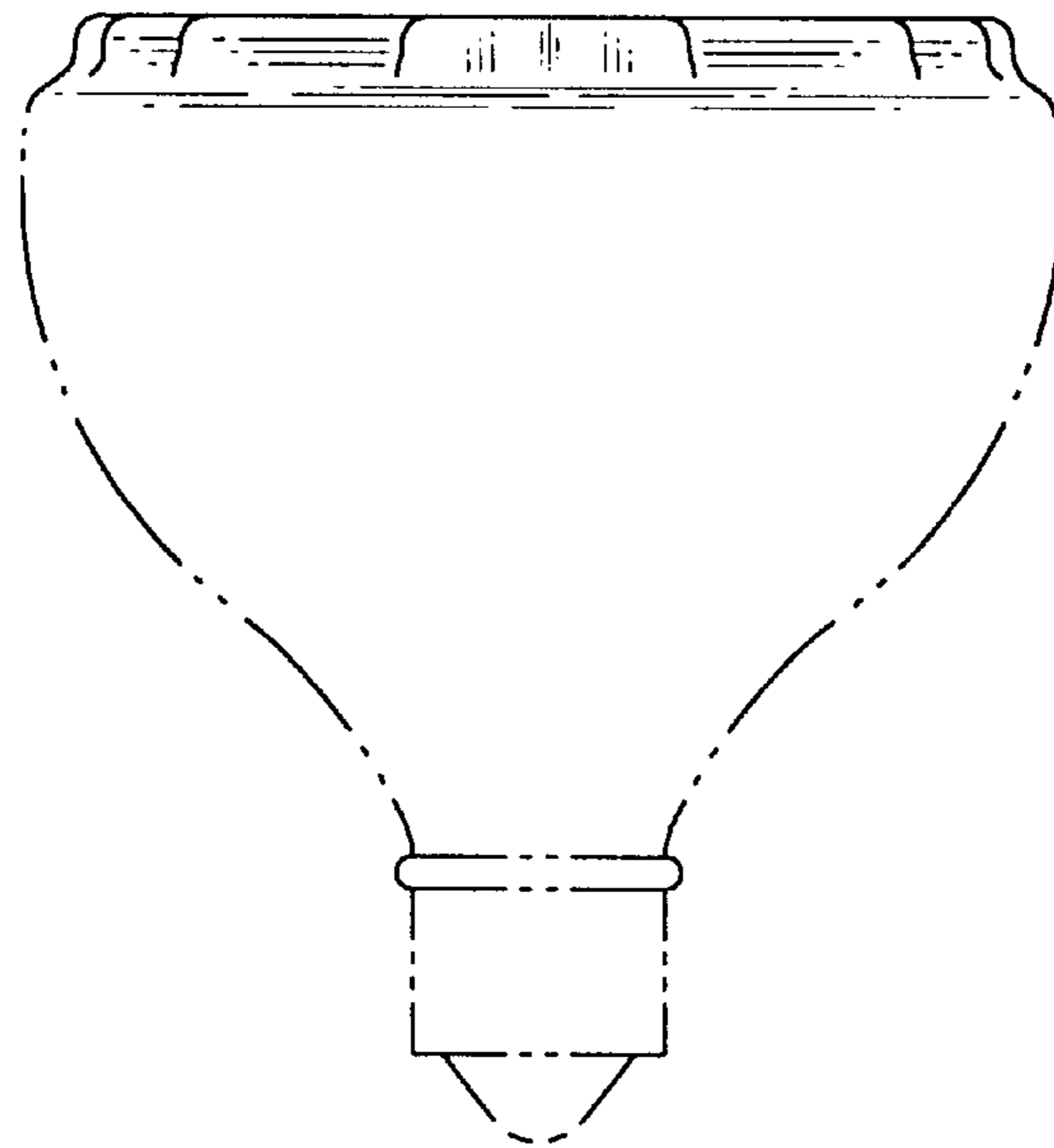


FIG. 5