



US00D413165S

United States Patent [19]
Tsuji

[11] **Patent Number: Des. 413,165**

[45] **Date of Patent: ** Aug. 24, 1999**

[54] **COMBINED UPPER LIGHT FIXTURE,
MOTOR HOUSING, BLADE IRONS AND
LOWER LIGHT FIXTURE UNIT FOR A
CEILING FAN**

*Attorney, Agent, or Firm—Garrison, Morris & Haight,
PLLC*

[75] Inventor: **Masao Tsuji**, Germantown, Tenn.

[57] **CLAIM**

The ornamental design for a combined upper light fixture,
motor housing, blade irons and lower light fixture unit for a
ceiling fan, as shown and described.

[73] Assignee: **Hunter Fan Company**, Memphis,
Tenn.

[**] Term: **14 Years**

DESCRIPTION

[21] Appl. No.: **29/096,013**

FIG. 1 is a perspective view of a combined upper light fixture,
motor housing and lower light fixture unit for a
ceiling fan showing our new design;

[22] Filed: **Nov. 3, 1998**

FIG. 2 is a perspective view of the design shown in FIG. 1
with the environmental structure removed therefrom;

[51] **LOC (6) Cl. 23-04**

[52] **U.S. Cl. D23/411; D23/377; D23/379;
D26/59**

FIG. 3 is a front view of FIG. 2;

[58] **Field of Search D23/377, 379,
D23/385, 411; 416/5; 362/96; 392/364;
D26/81-86, 88, 51, 59, 72**

FIG. 4 is a right-side view of FIG. 2;

FIG. 5 is a rear view of FIG. 2;

FIG. 6 is a left-side view of FIG. 2;

[56] **References Cited**

U.S. PATENT DOCUMENTS

D. 402,362 12/1998 Pickett D23/377

FIG. 7 is a top view of FIG. 2; and,

FIG. 8 is a bottom view of FIG. 2.

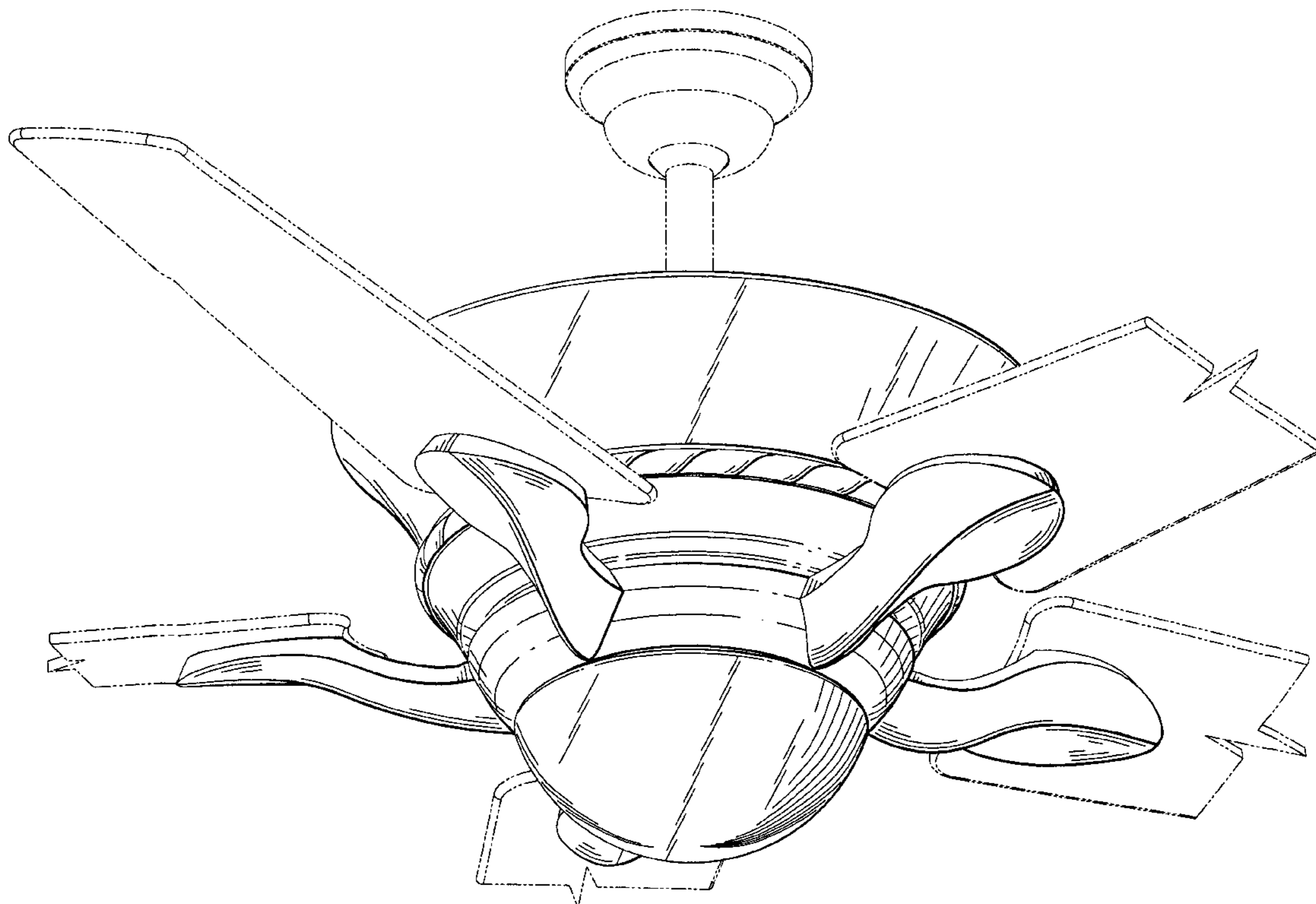
OTHER PUBLICATIONS

Casablanca Fan Company Brochure, 1997, Author
Unknown, Front and Back Covers and pp. 14 and 15.

The broken line showing of environmental structure shown
in FIG. 1 is for illustrative purposes only and forms no part
of the claimed design.

Primary Examiner—Lisa Lichtenstein

1 Claim, 8 Drawing Sheets



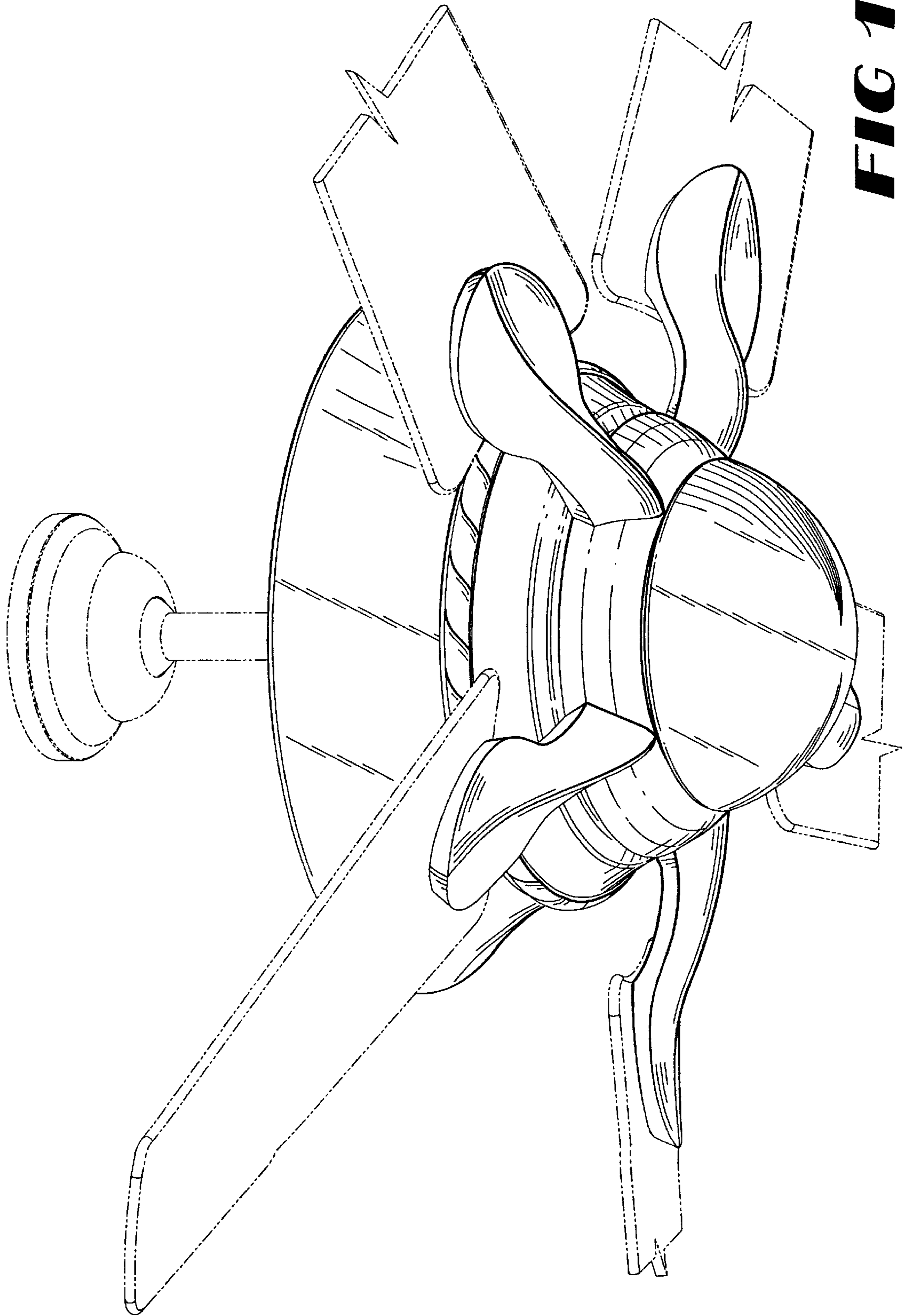


FIG 1

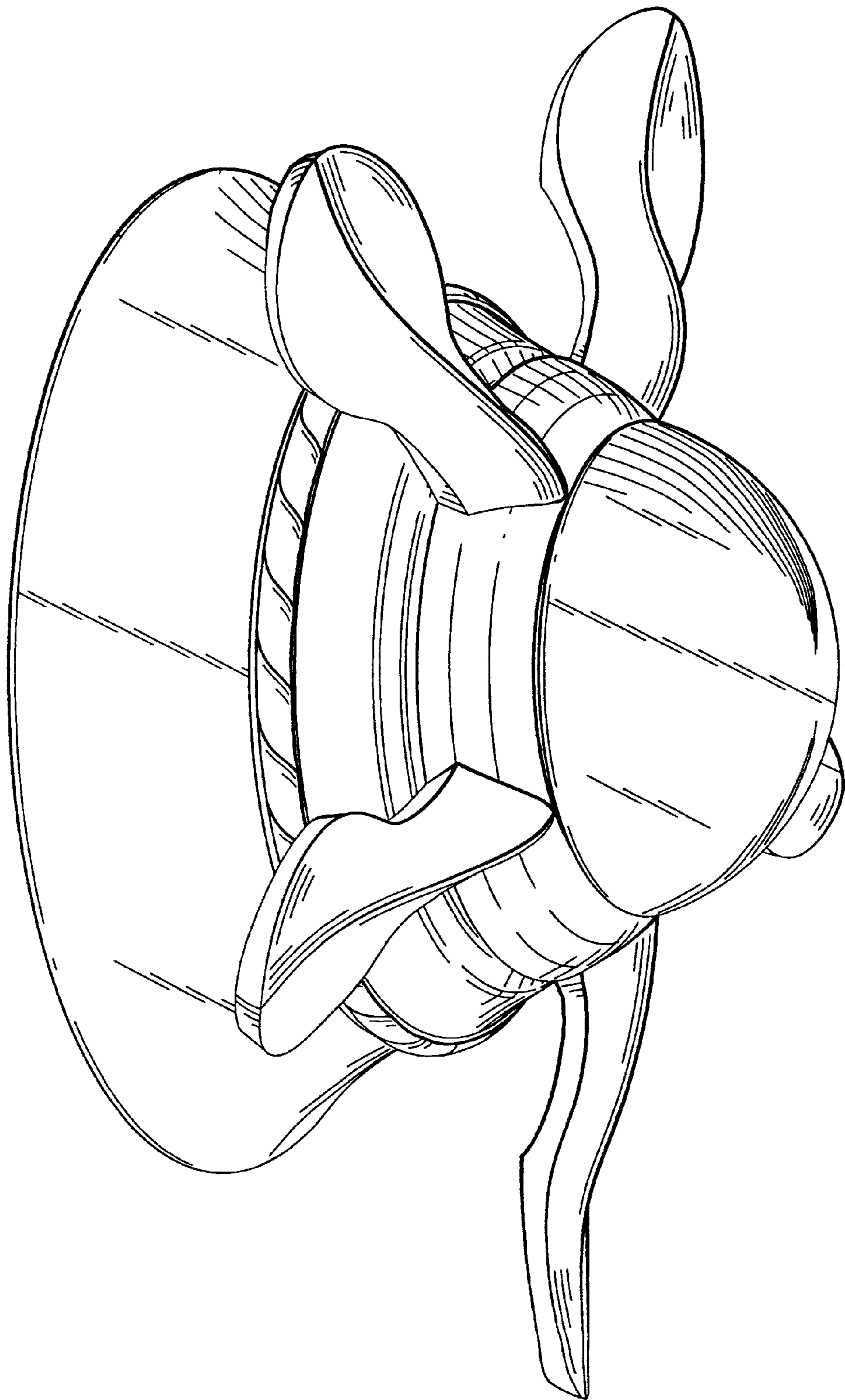


FIG 2

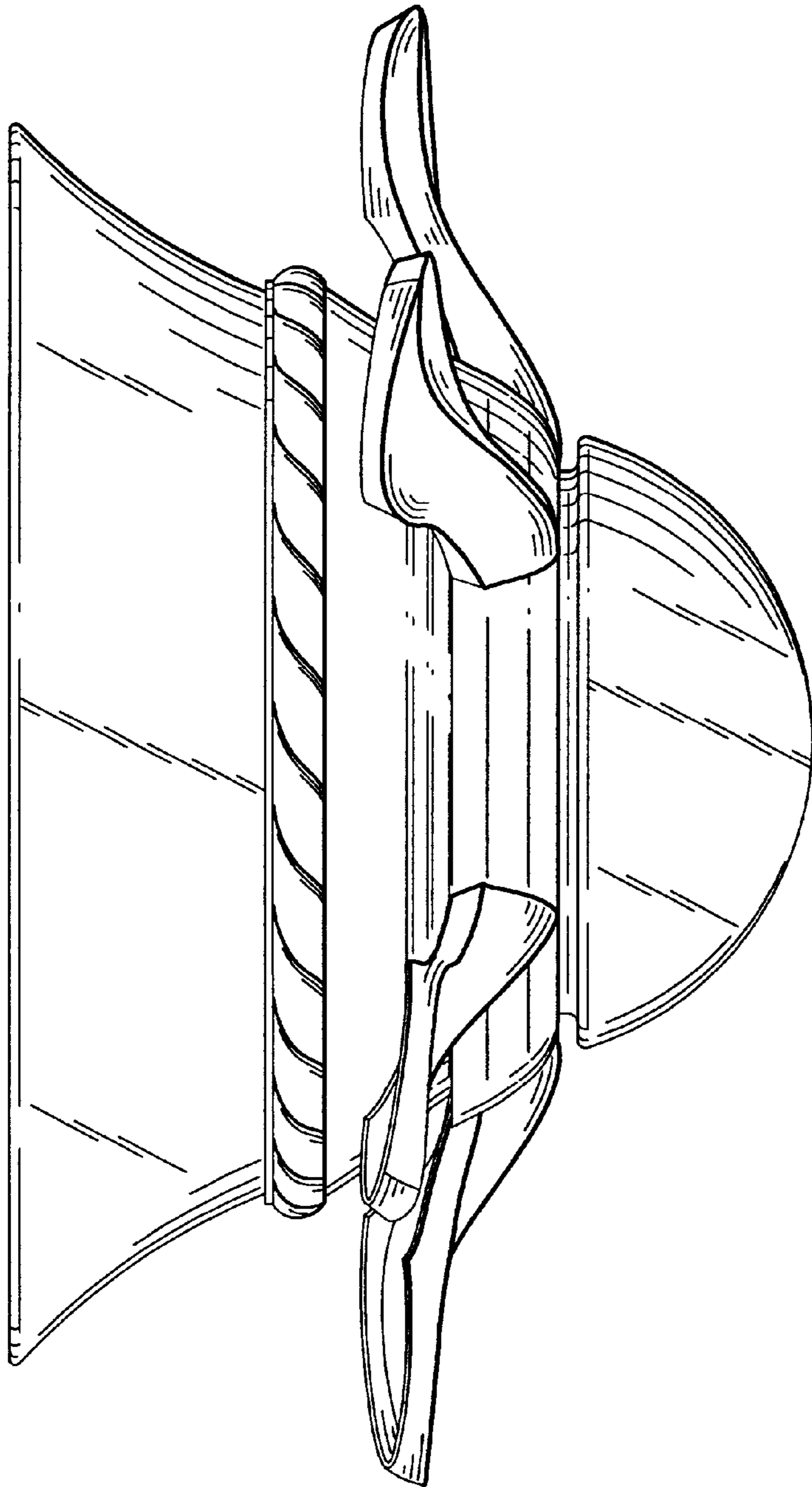


FIG 3

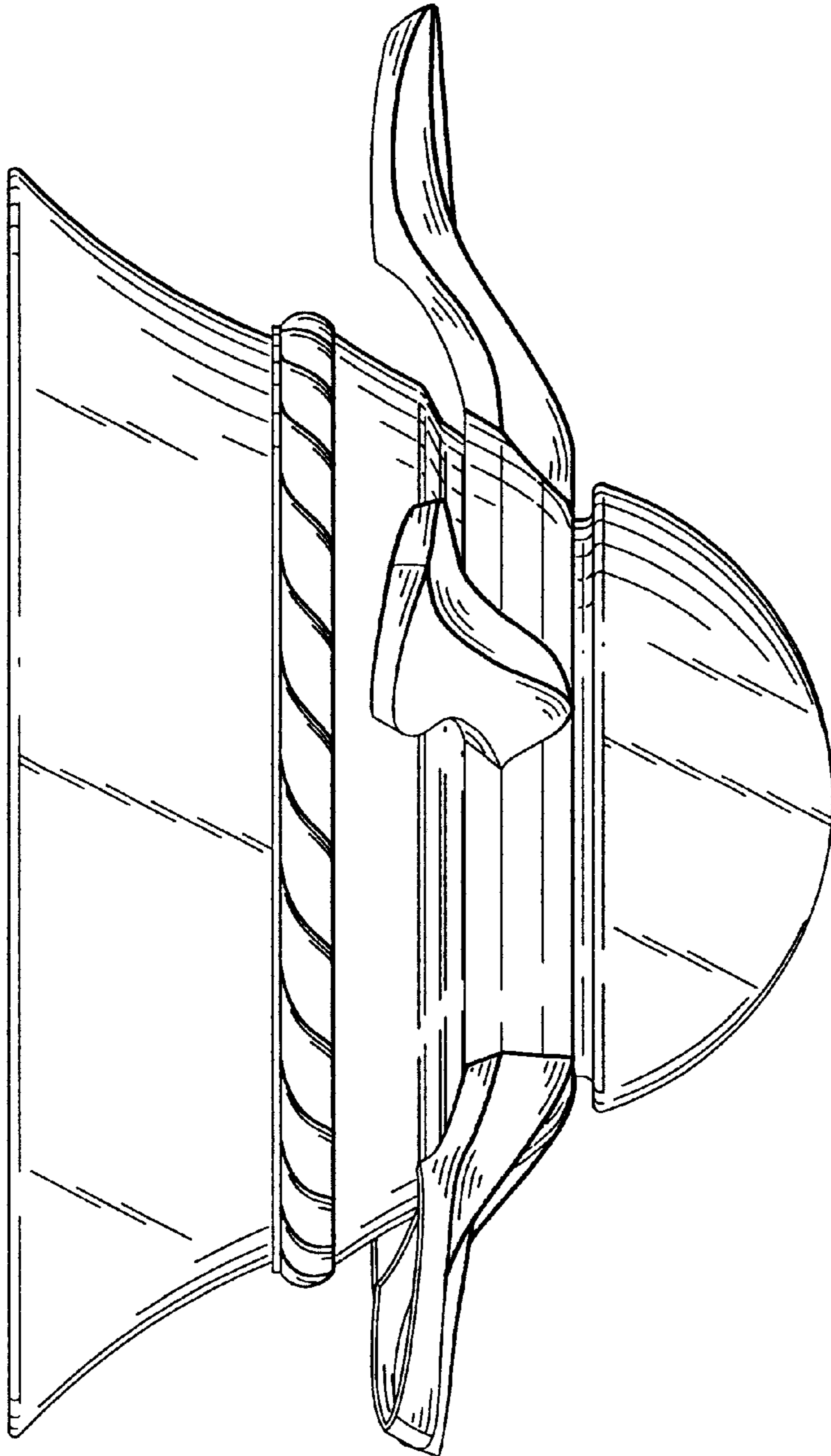


FIG 4

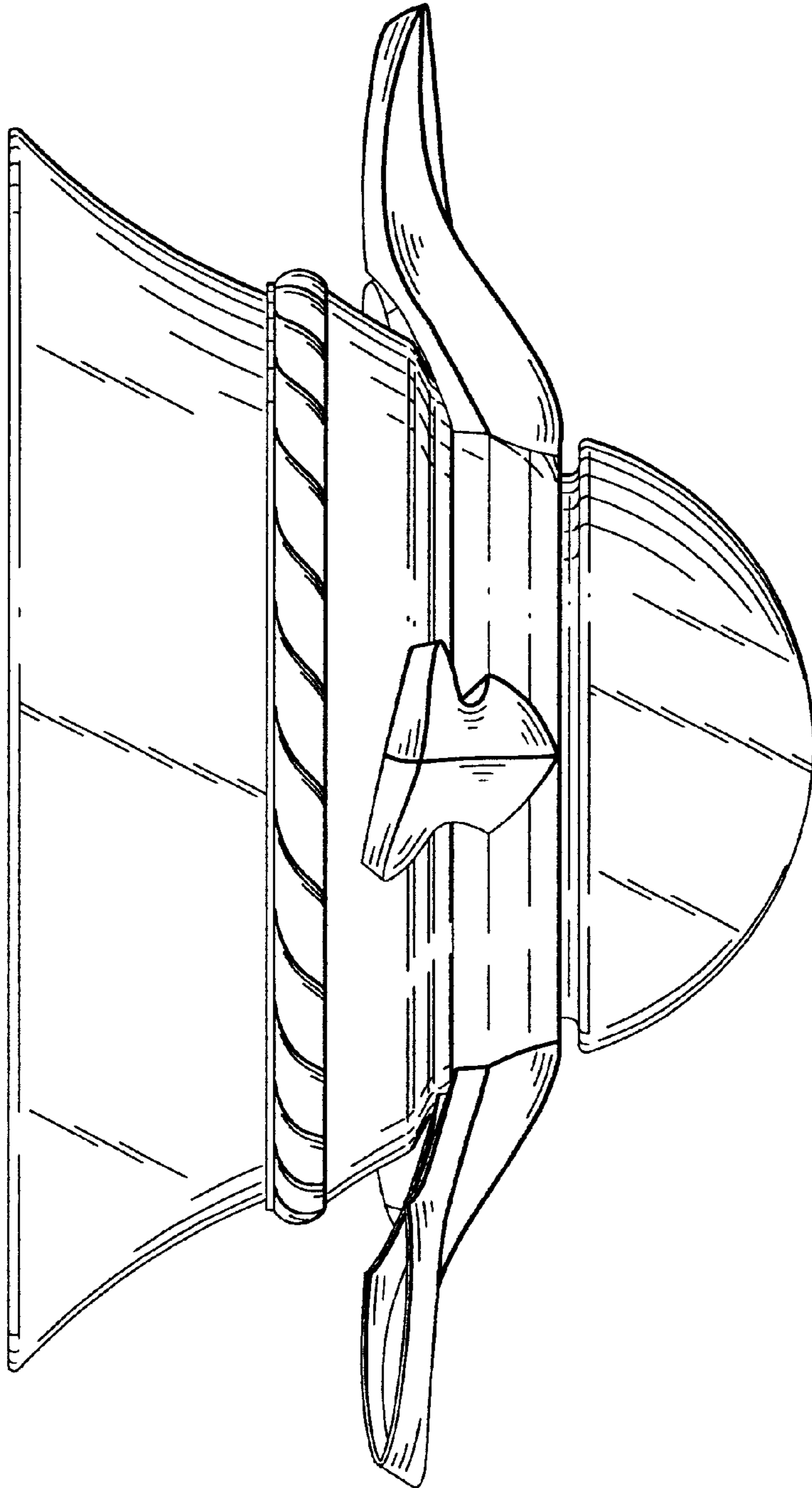


FIG 5

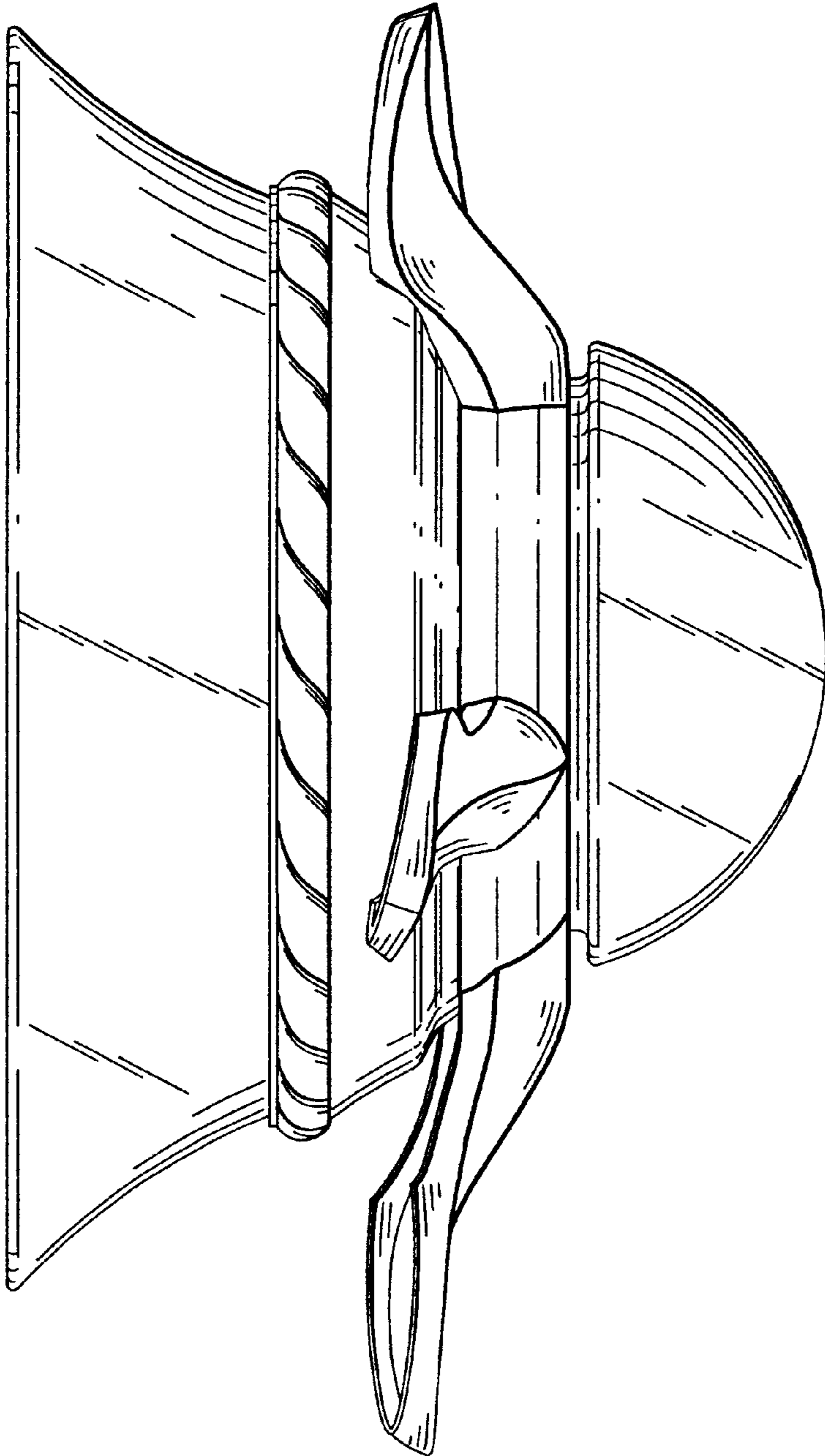


FIG 6

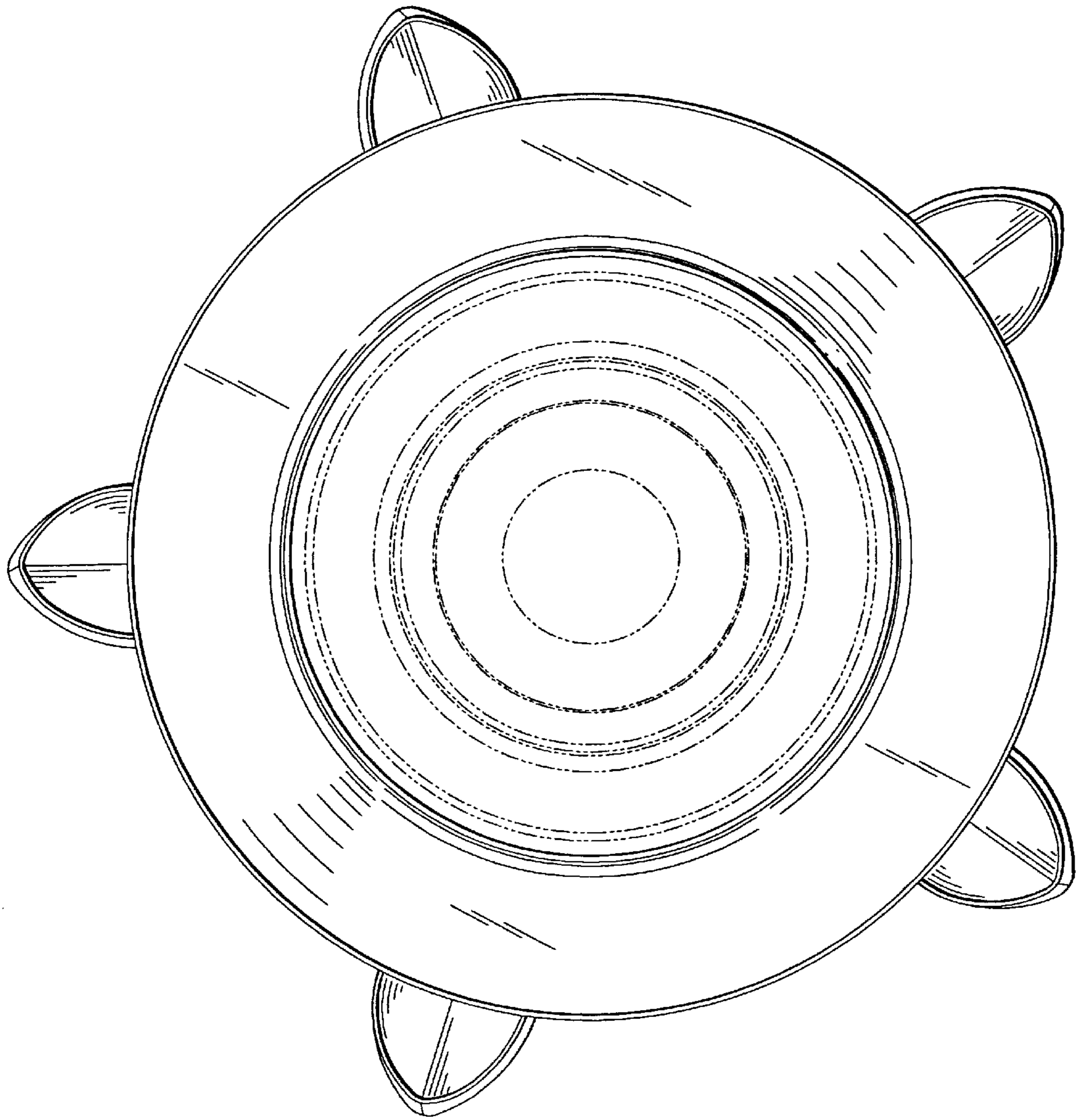


FIG 7

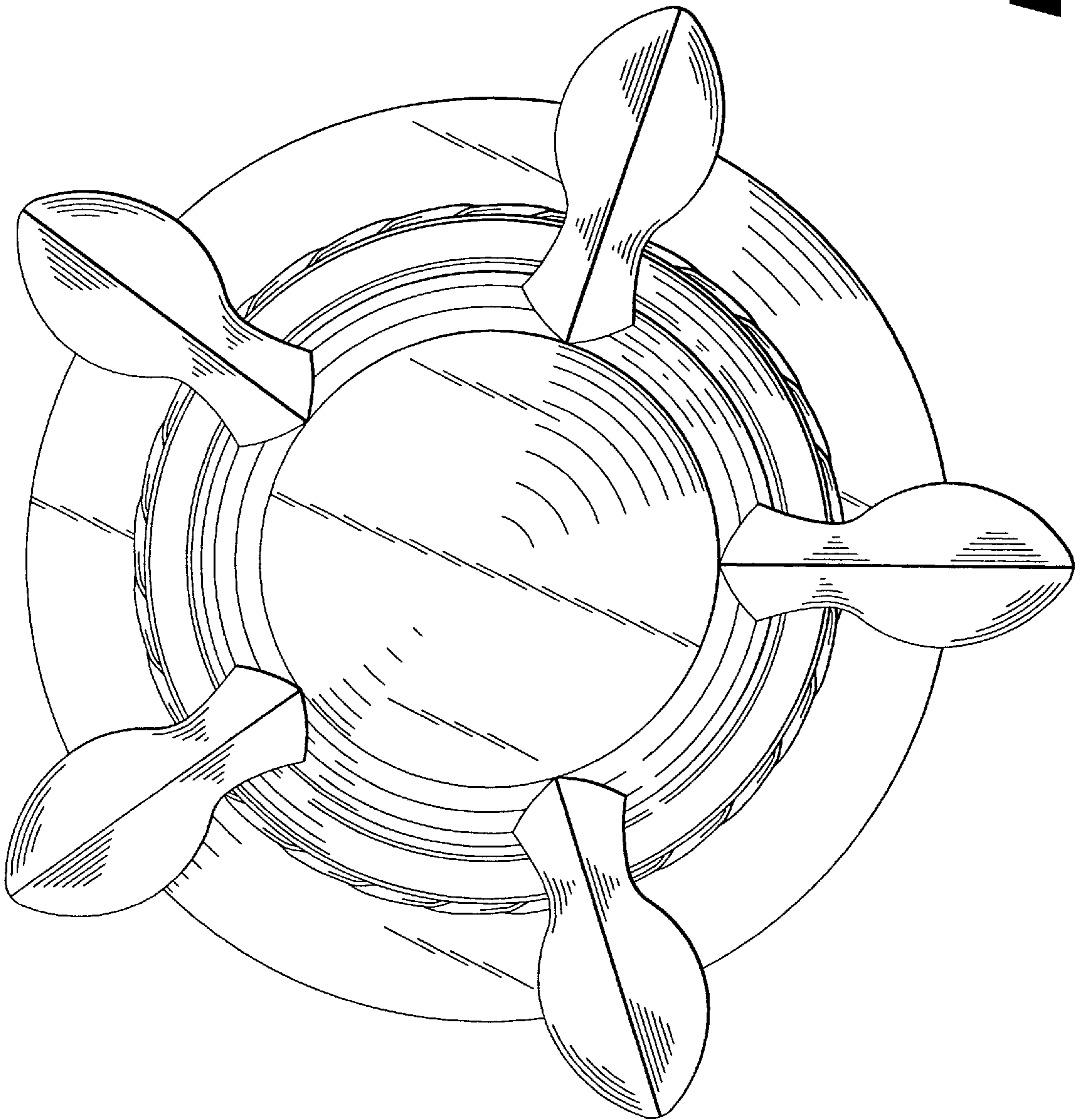


FIG 8