



US00D413163S

# United States Patent [19] Tani

[11] **Patent Number: Des. 413,163**

[45] **Date of Patent: \*\* Aug. 24, 1999**

[54] **WATER CLOSET**

[75] Inventor: **Minoru Tani**, Kitakyushu, Japan

[73] Assignee: **Toto Ltd.**, Japan

[\*\*] Term: **14 Years**

[21] Appl. No.: **29/098,971**

[22] Filed: **Jan. 8, 1999**

### Related U.S. Application Data

[62] Division of application No. 29/073,574, Jul. 11, 1997.

[51] **LOC (6) Cl.** ..... **23-02**

[52] **U.S. Cl.** ..... **D23/301**

[58] **Field of Search** ..... D23/295-301;  
4/353, 421, 424, 428-430

### [56] References Cited

#### U.S. PATENT DOCUMENTS

- D. 311,243 10/1990 Vaupel et al. .... D23/301
- D. 314,236 1/1991 Ament ..... D23/301
- D. 346,854 5/1994 Reid ..... D23/301
- D. 353,450 12/1994 Anderson et al. .... D23/301

- D. 381,408 7/1997 Birsal et al. .... D23/301
- D. 384,136 9/1997 Kawamura et al. .... D23/301
- D. 389,902 1/1998 Jones et al. .... D23/301
- D. 393,309 4/1998 Tani ..... D23/301
- D. 397,214 8/1998 Felker ..... D23/301

### FOREIGN PATENT DOCUMENTS

845954 8/1992 Japan .

*Primary Examiner*—Louis S. Zarfes  
*Assistant Examiner*—Eric Watterson  
*Attorney, Agent, or Firm*—Finnegan, Henderson, Farabow, Garrett & Dunner, L.L.P.

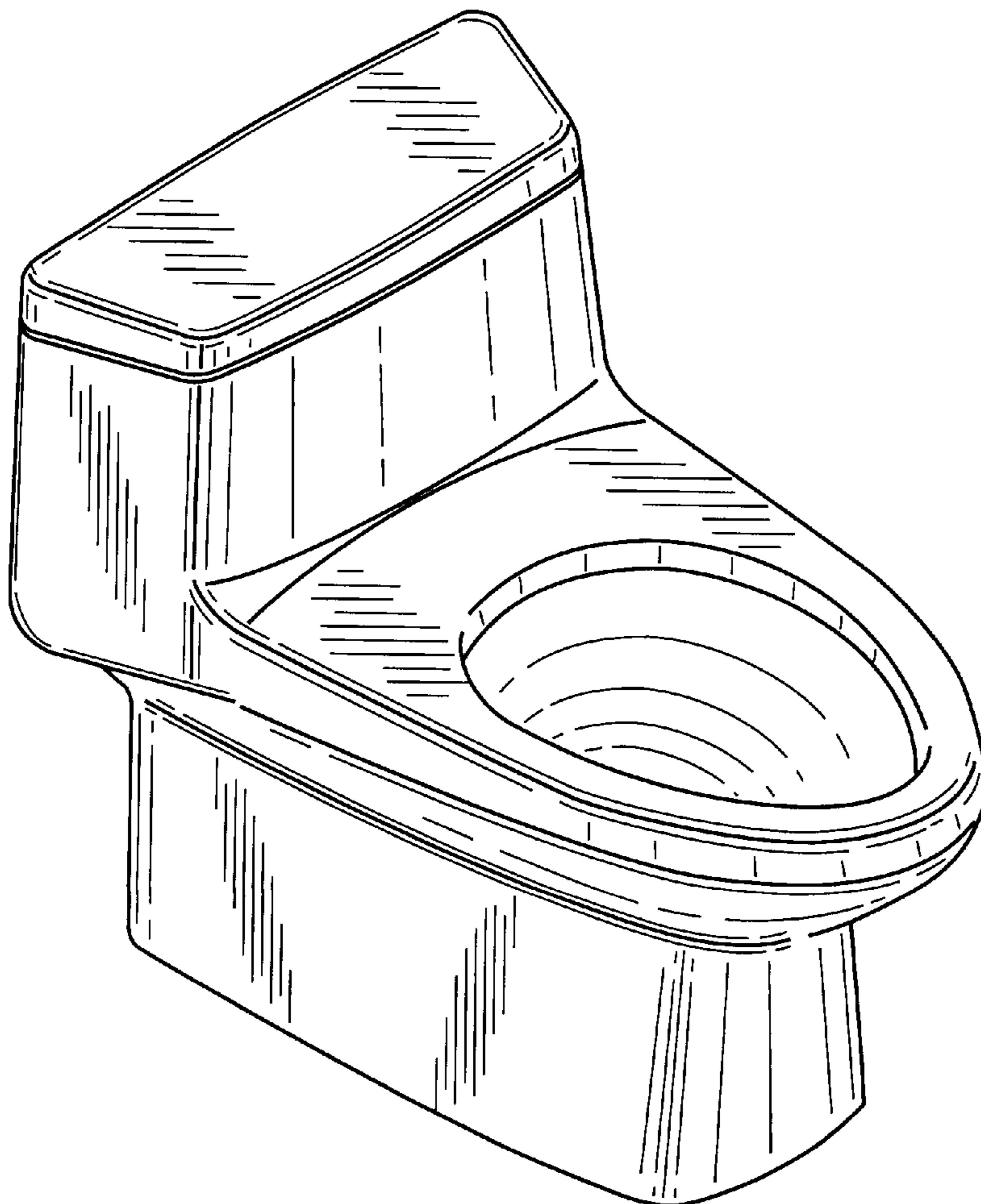
### [57] CLAIM

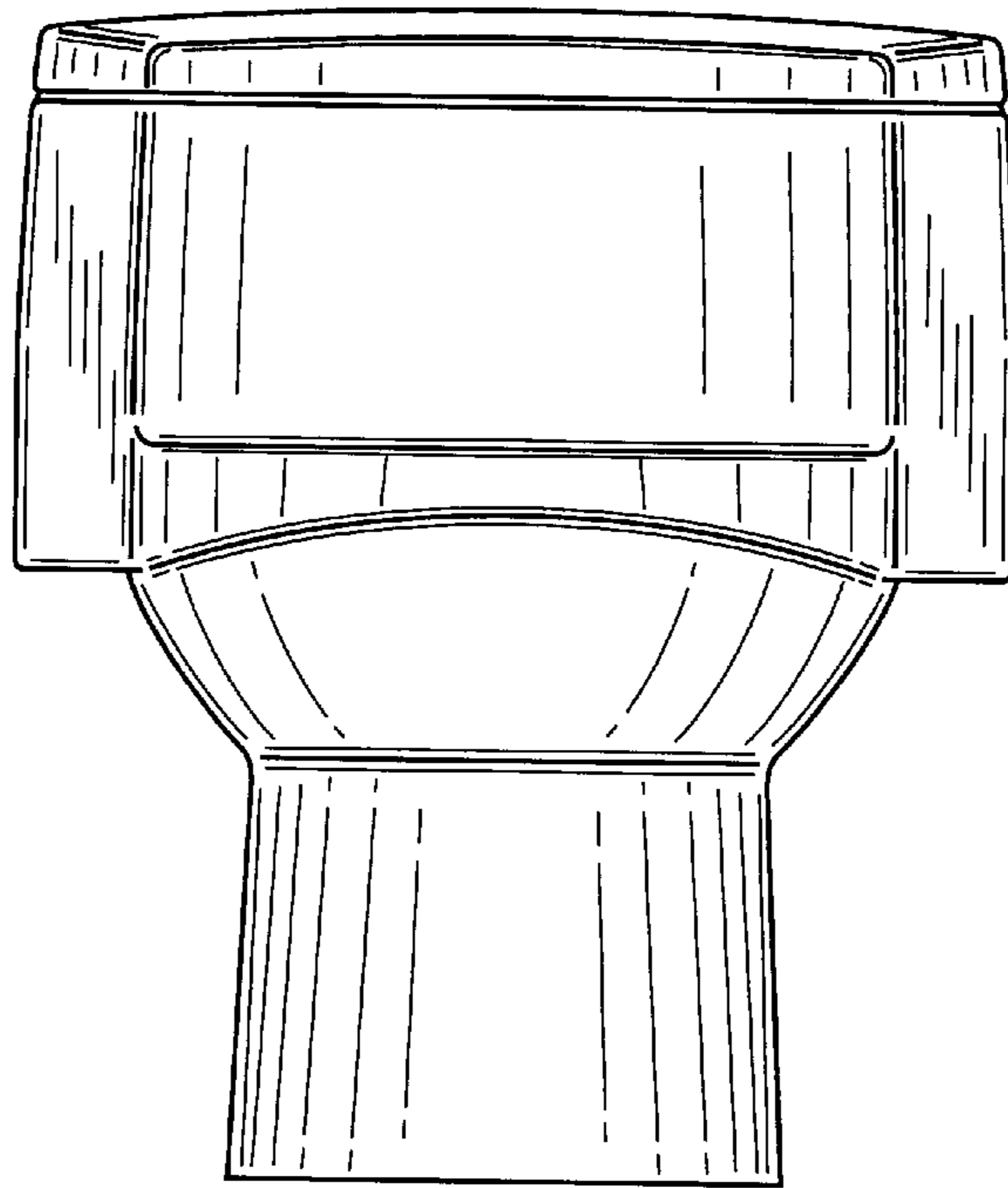
The ornamental design for a water closet, as shown and described.

### DESCRIPTION

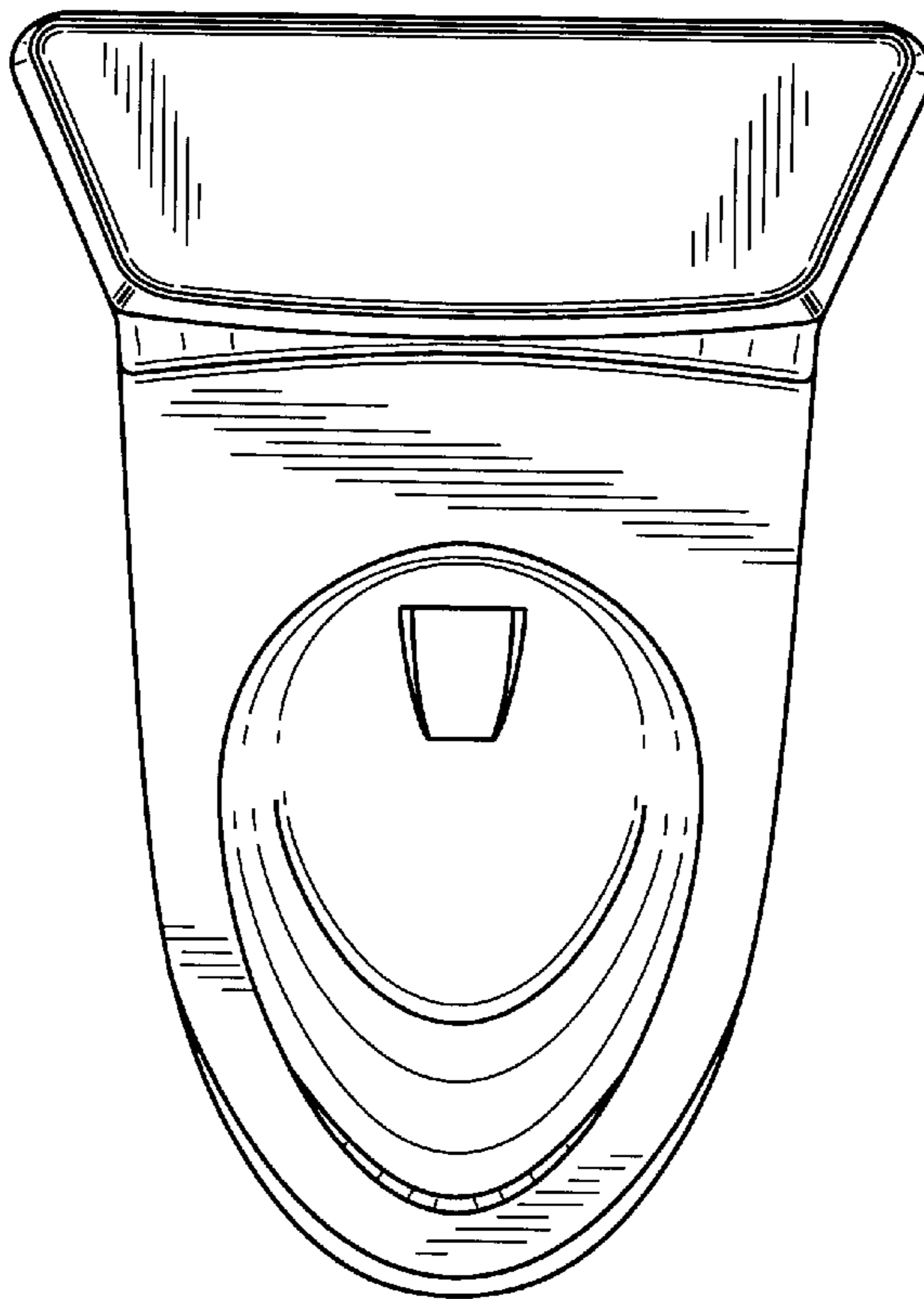
FIG. 1 is a front view of a water closet embodying my design;  
FIG. 2 is a top view thereof;  
FIG. 3 is a left side view thereof, the right side being a mirror image of the left side; and,  
FIG. 4 is a perspective view thereof.

**1 Claim, 2 Drawing Sheets**

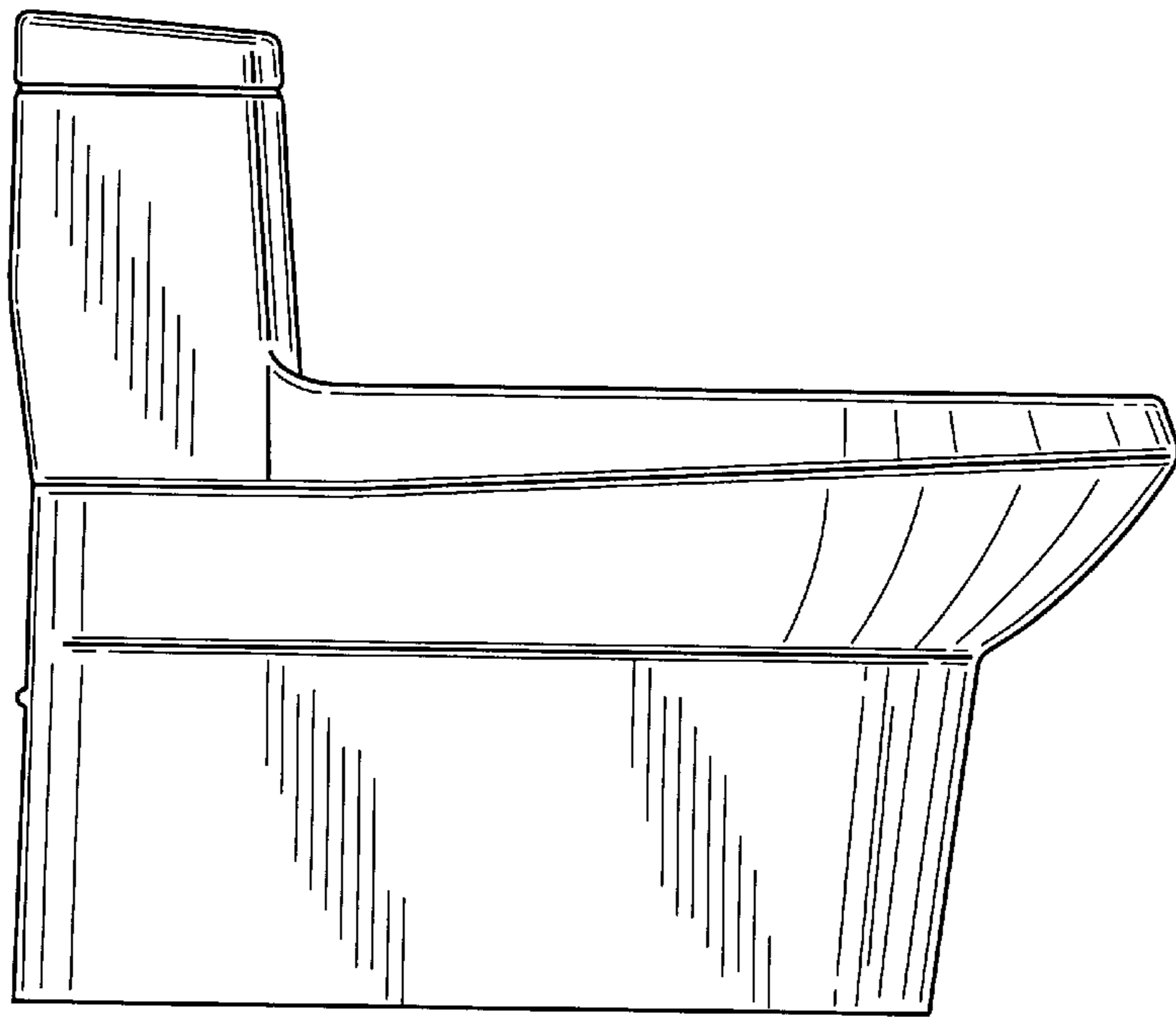




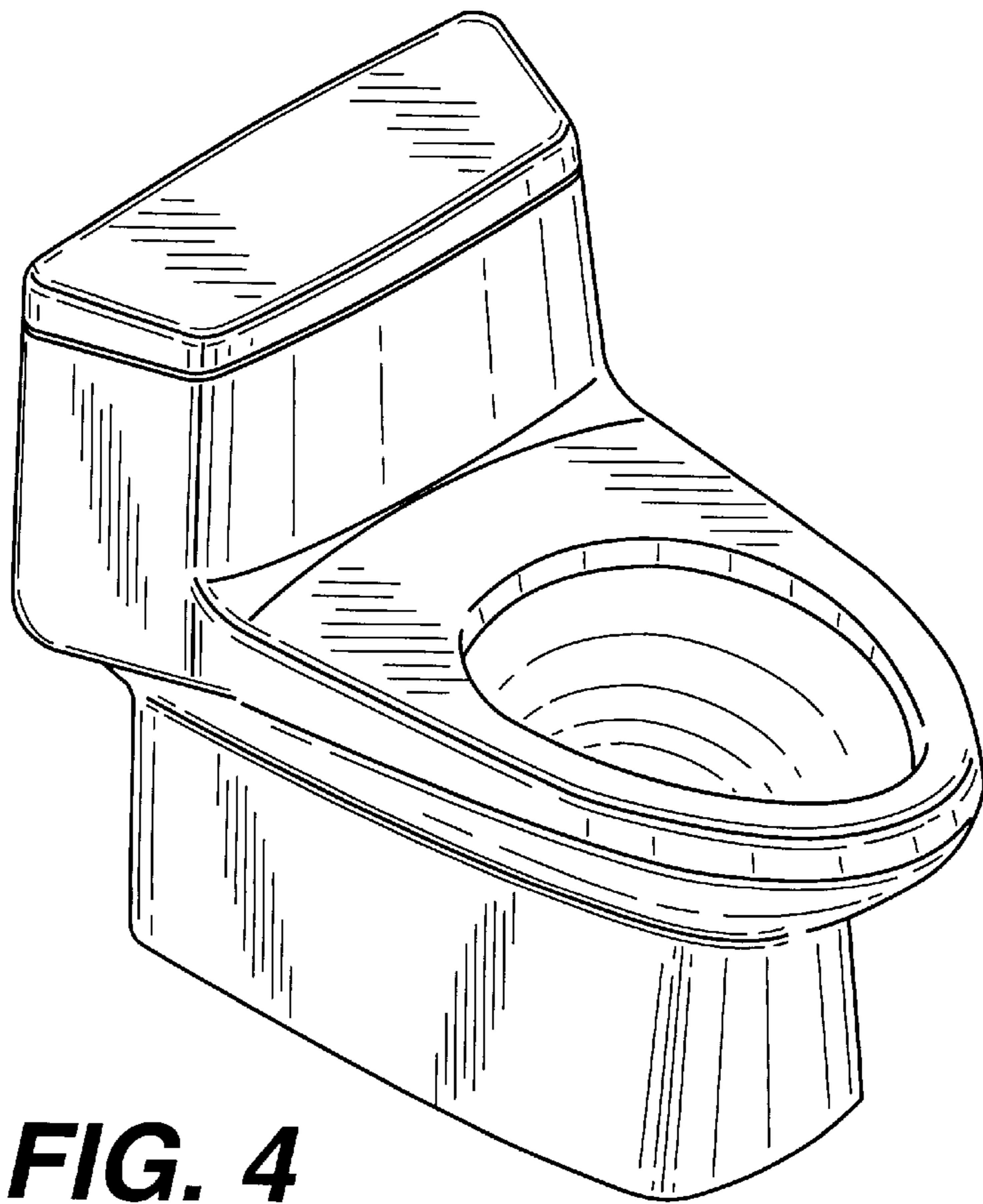
**FIG. 1**



**FIG. 2**



**FIG. 3**



**FIG. 4**