



US00D413156S

United States Patent [19]
Robinson

[11] **Patent Number: Des. 413,156**

[45] **Date of Patent: ** Aug. 24, 1999**

[54] **FOUNTAIN**

[76] **Inventor: Hewitt Robinson**, 1641 E. Broad
Ripple Ave., Indianapolis, Ind. 46220

[**] **Term: 14 Years**

[21] **Appl. No.: 29/097,081**

[22] **Filed: Nov. 30, 1998**

[51] **LOC (6) Cl. 23-01**

[52] **U.S. Cl. D23/201**

[58] **Field of Search D23/200, 201;**
239/16-21, 211, 201

[56] **References Cited**

U.S. PATENT DOCUMENTS

D. 60,267	1/1922	Schlesinger	D23/201
D. 111,894	10/1938	Conner	D23/201
D. 206,214	11/1966	Erbe	D23/201
D. 319,682	9/1991	Shartp et al.	D23/201
D. 390,310	2/1998	Fletcher	D23/201
D. 394,301	5/1998	Fisher	D23/201

OTHER PUBLICATIONS

Lotus catalog; Millstone fountain, 1995.

Primary Examiner—Robin V. Taylor
Attorney, Agent, or Firm—Woodard, Emhardt, Naughton
Moriarty & McNett

[57] **CLAIM**

The ornamental design for a fountain, as shown and described.

DESCRIPTION

FIG. 1 is a front elevation of the fountain of hte present invention. The dotted lines in this view and in FIGS. 2, 4 and 5 illustrate an example of the surface over which the water may flow into the basin of the fountain and forming no part of the claimed design.

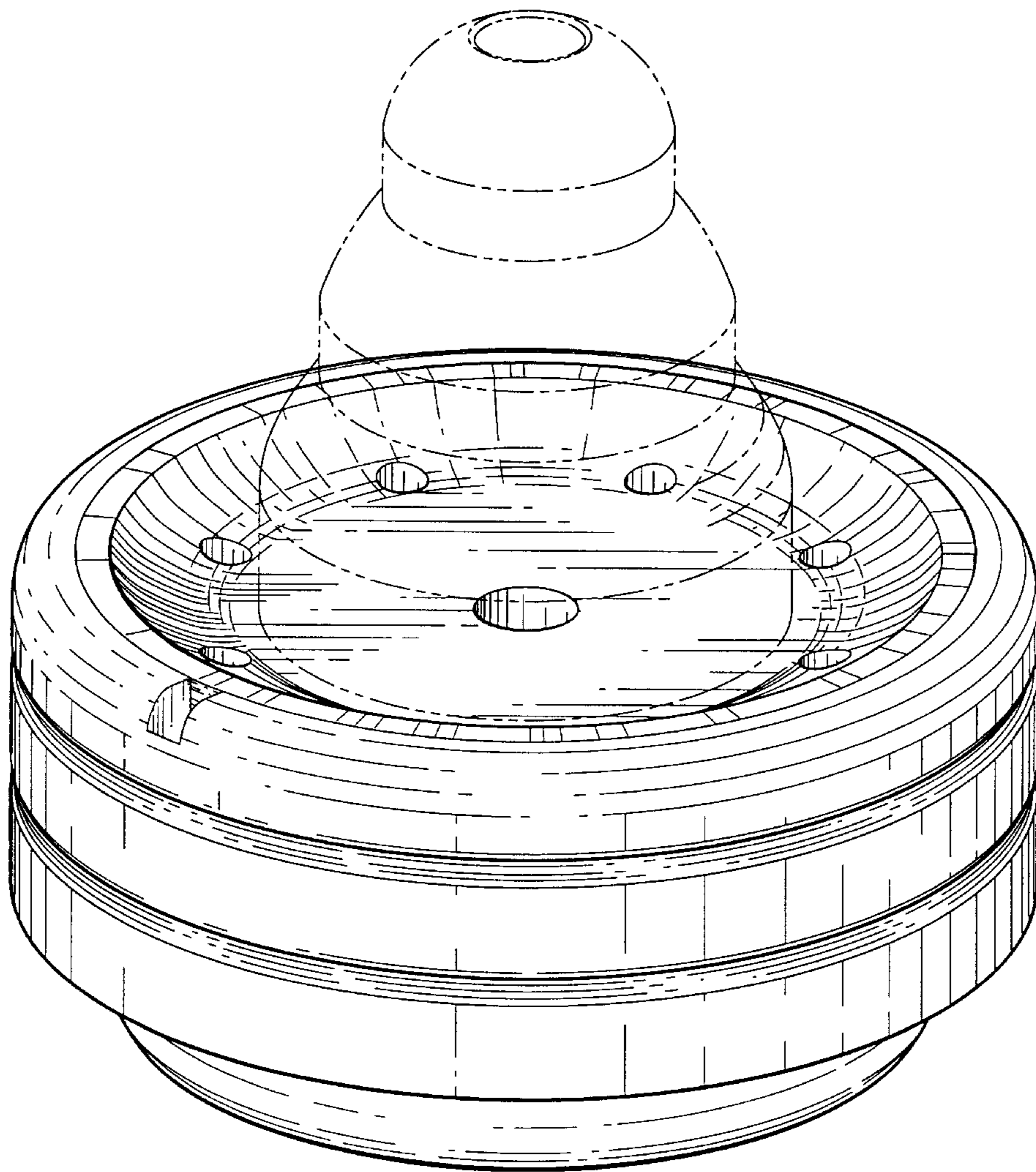
FIG. 2 is a top plan view.

FIG. 3 is a bottom plan view.

FIG. 4 is a rear elevation. The left side elevation and right side elevation are identical to this view; and,

FIG. 5 is a perspective view.

1 Claim, 4 Drawing Sheets



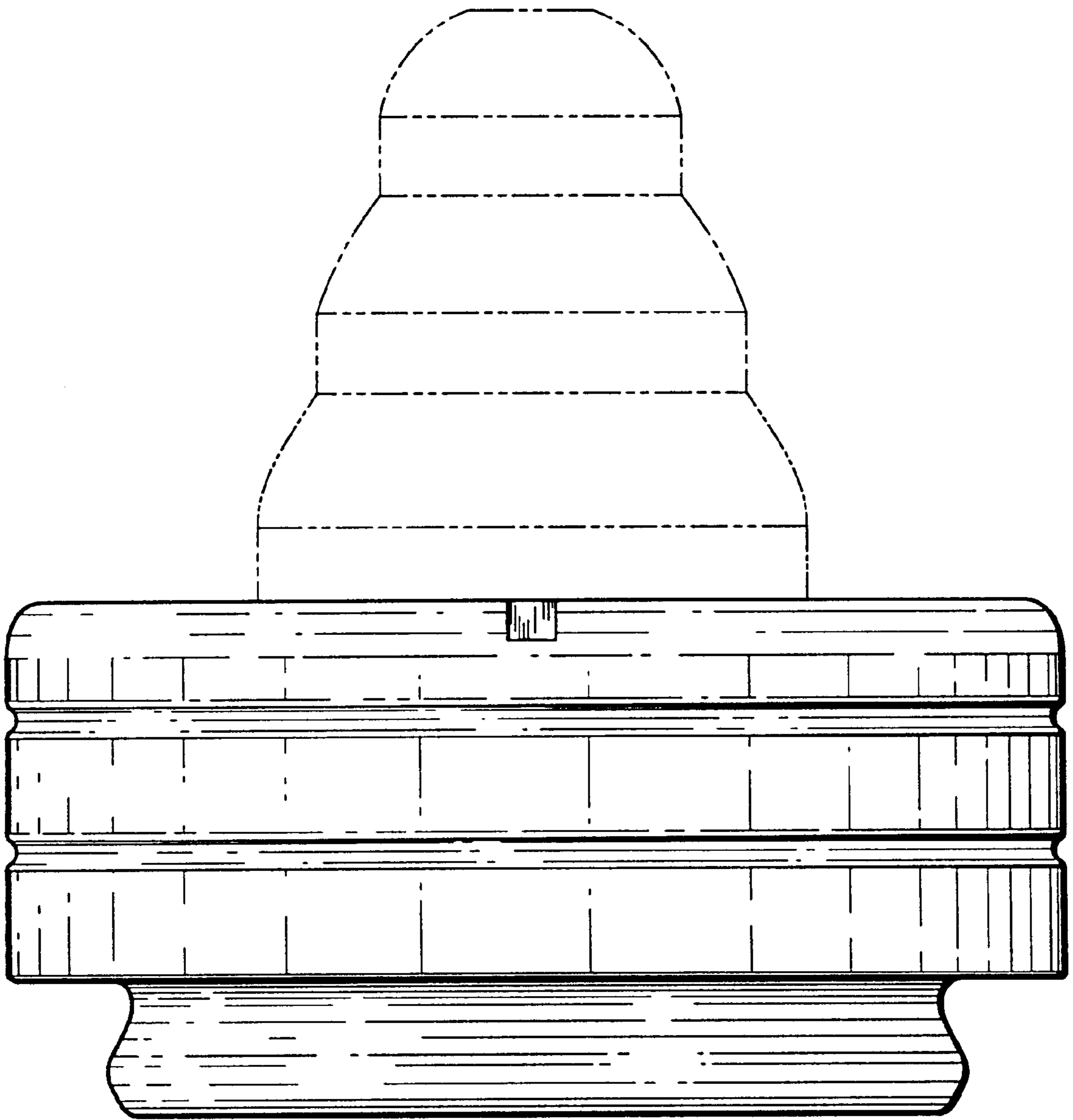


Fig. 1

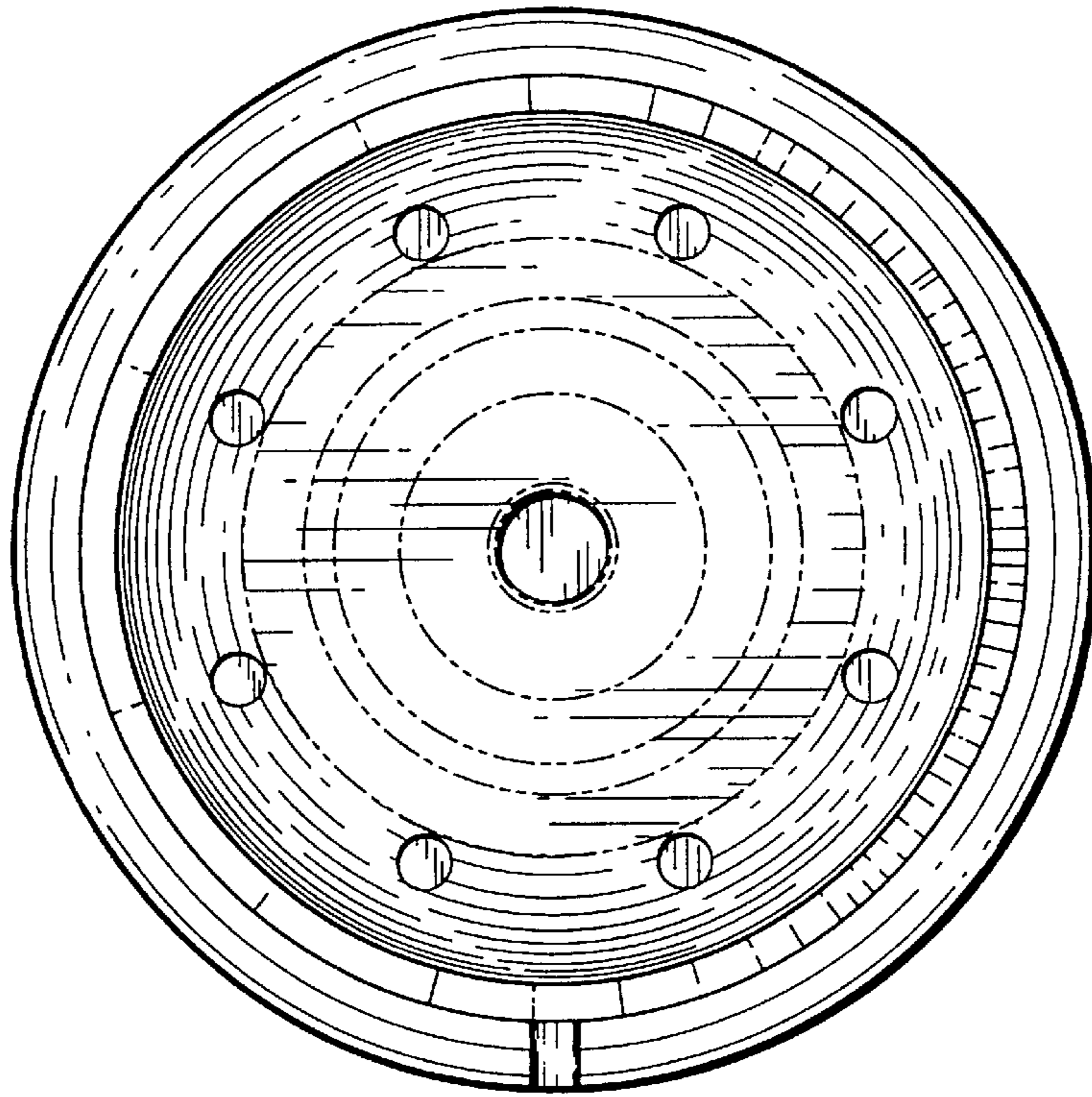


Fig. 2

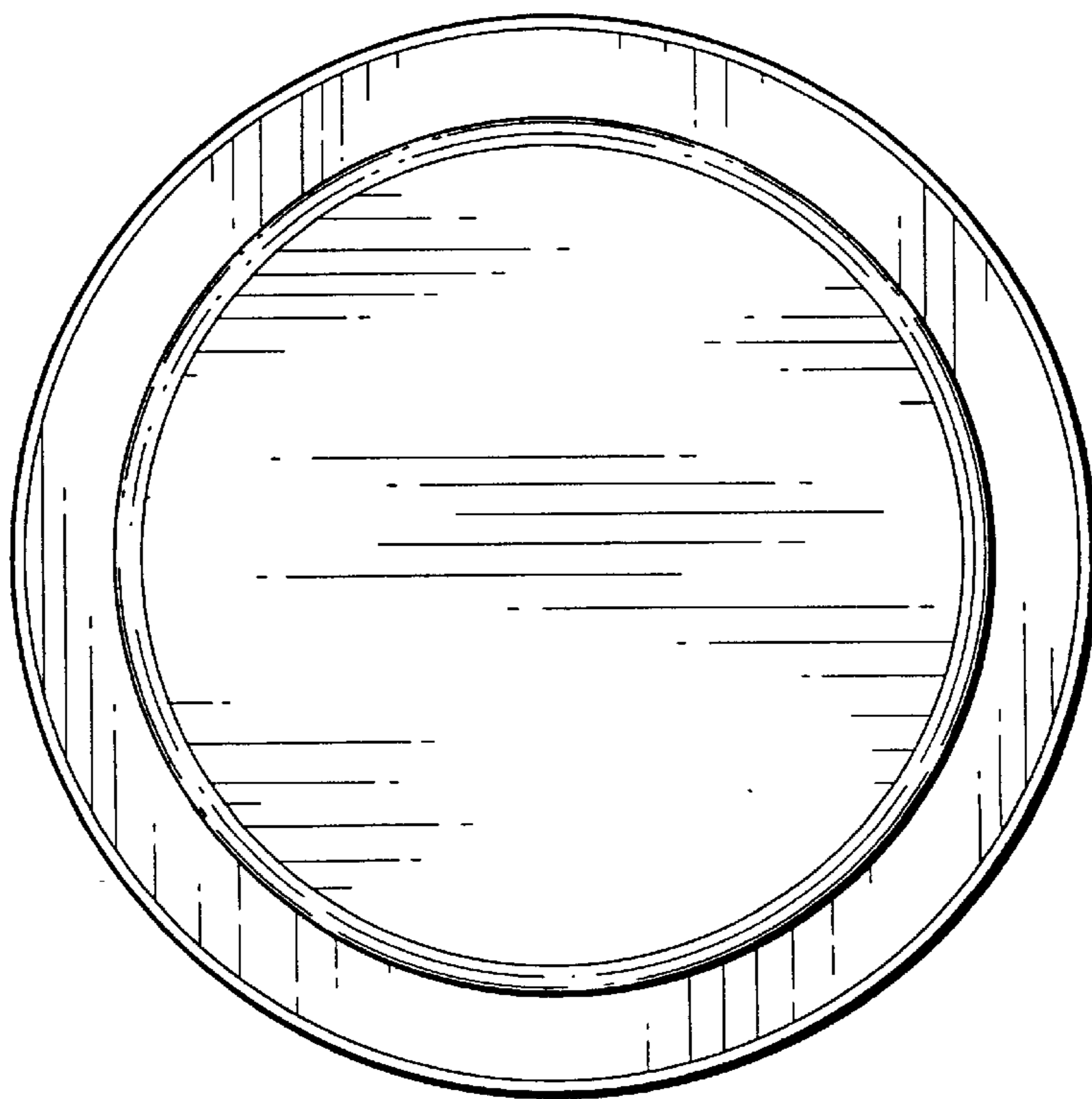


Fig. 3

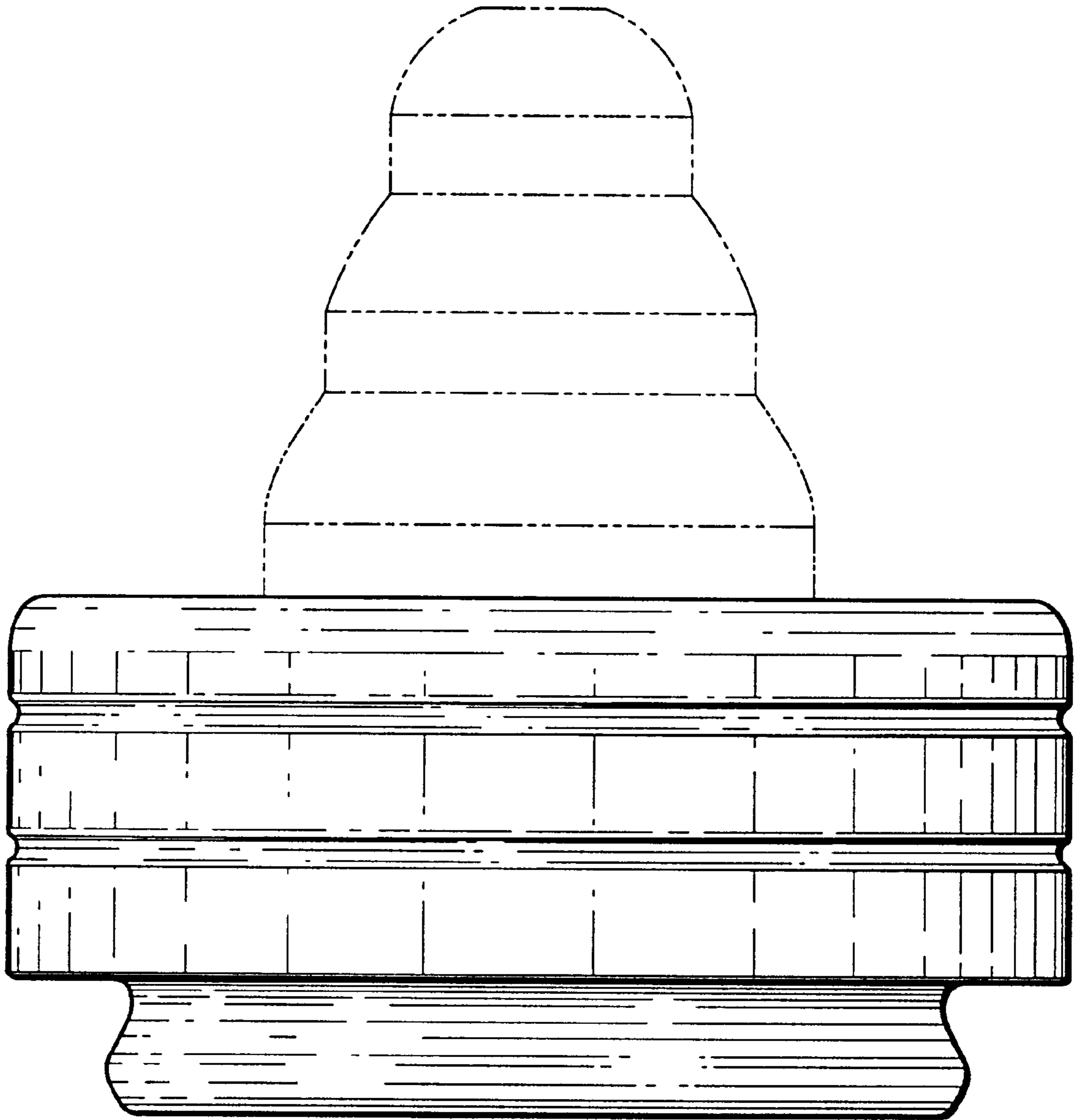


Fig. 4

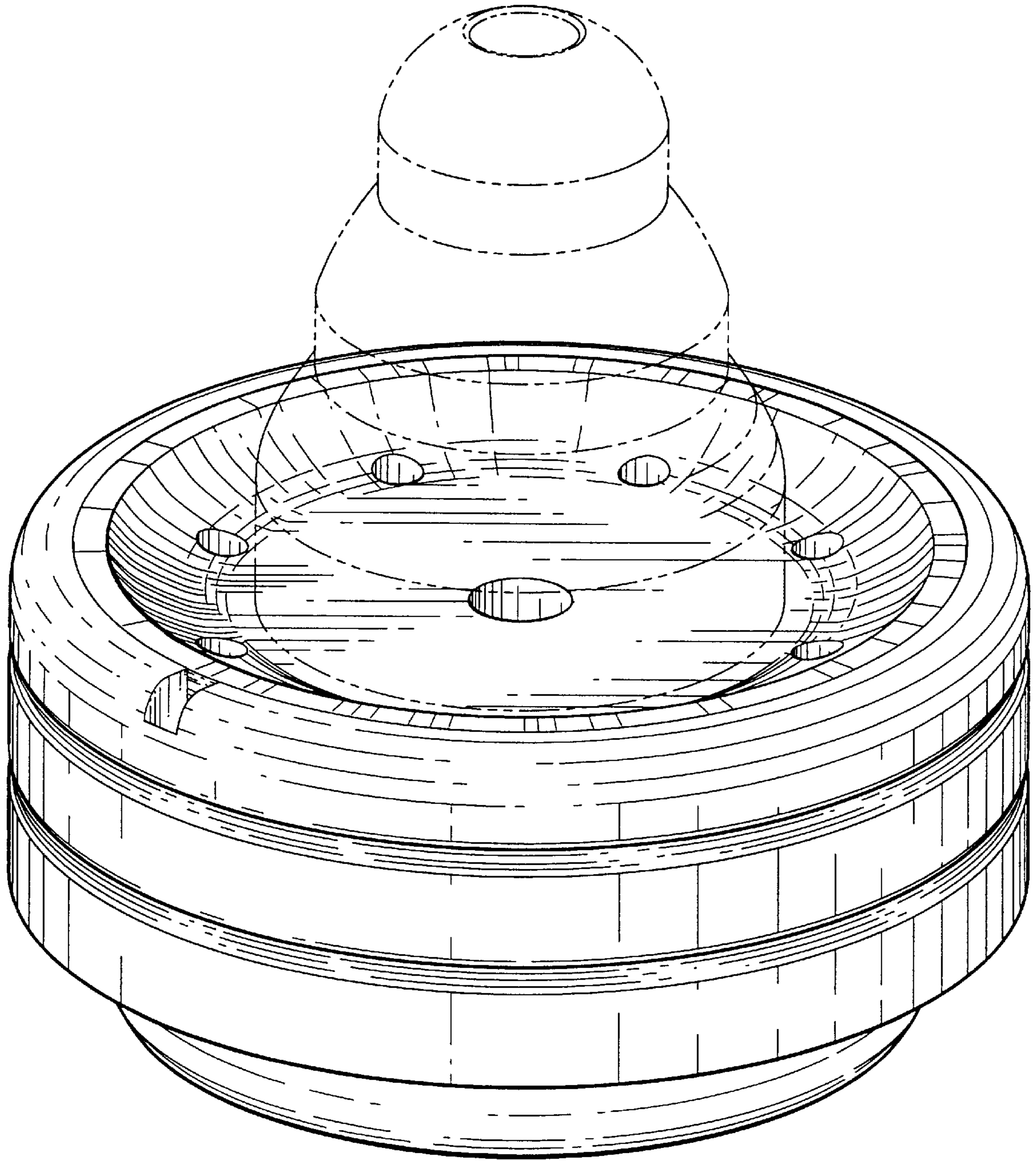


Fig. 5