



US00D413153S

United States Patent [19] Tucker

[11] **Patent Number: Des. 413,153**

[45] **Date of Patent: ** Aug. 24, 1999**

[54] **RIFLE SIGHT OBJECTIVE ADJUSTMENT RING**

[75] Inventor: **Allen Tucker**, Portland, Oreg.

[73] Assignee: **Leupold & Stevens, Inc.**, Beaverton, Oreg.

[**] Term: **14 Years**

[21] Appl. No.: **29/078,318**

[22] Filed: **Oct. 20, 1997**

[51] **LOC (6) Cl. 22-01**

[52] **U.S. Cl. D22/109; D22/108**

[58] **Field of Search D22/100, 101, D22/108, 107, 110; 42/101; 33/245, 246, 247, 248, 249, 250**

[56] **References Cited**

U.S. PATENT DOCUMENTS

D. 365,858	1/1996	Tometa	D22/109
D. 369,367	4/1996	Tomita	D22/109 X
2,548,031	4/1951	Leupold	42/101
2,743,525	5/1956	Leupold	42/101
3,040,433	6/1962	Heinzel	42/101
3,226,868	1/1966	Mahoney	42/101
4,367,606	1/1983	Bechtel	42/101

OTHER PUBLICATIONS

Leupold & Stevens, Inc., Leupold 1997 Catalog (Nov. 5, 1996).

Leupold & Stevens, Inc., Leupold Field Guide to 1997 Optical Products (Nov. 5, 1996).

Primary Examiner—Louis S. Zarfes
Assistant Examiner—Monica A. Weingart
Attorney, Agent, or Firm—Stoel Rives LLP

[57] **CLAIM**

I claim the ornamental design for a rifle sight objective adjustment ring, as shown and described.

DESCRIPTION

FIG. 1 is a perspective view of a rifle sight objective adjustment ring in use with its environment of use shown in broken lines;

FIG. 2 is a perspective view of a rifle sight objective adjustment ring, omitting the environment of normal use;

FIG. 3 is an eyepiece end view thereof;

FIG. 4 is a top plan view thereof, the bottom plan, right side elevational and left side elevational views (not shown) being identical; and,

FIG. 5 is an objective end view thereof.

FIGS. 2–5 are shown on an enlarged scale.

The broken lines showing of the rifle sight housing, indicia and numerals in Fig. 1 are illustrative of the environmental structure only and form no part of the claimed design.

1 Claim, 3 Drawing Sheets

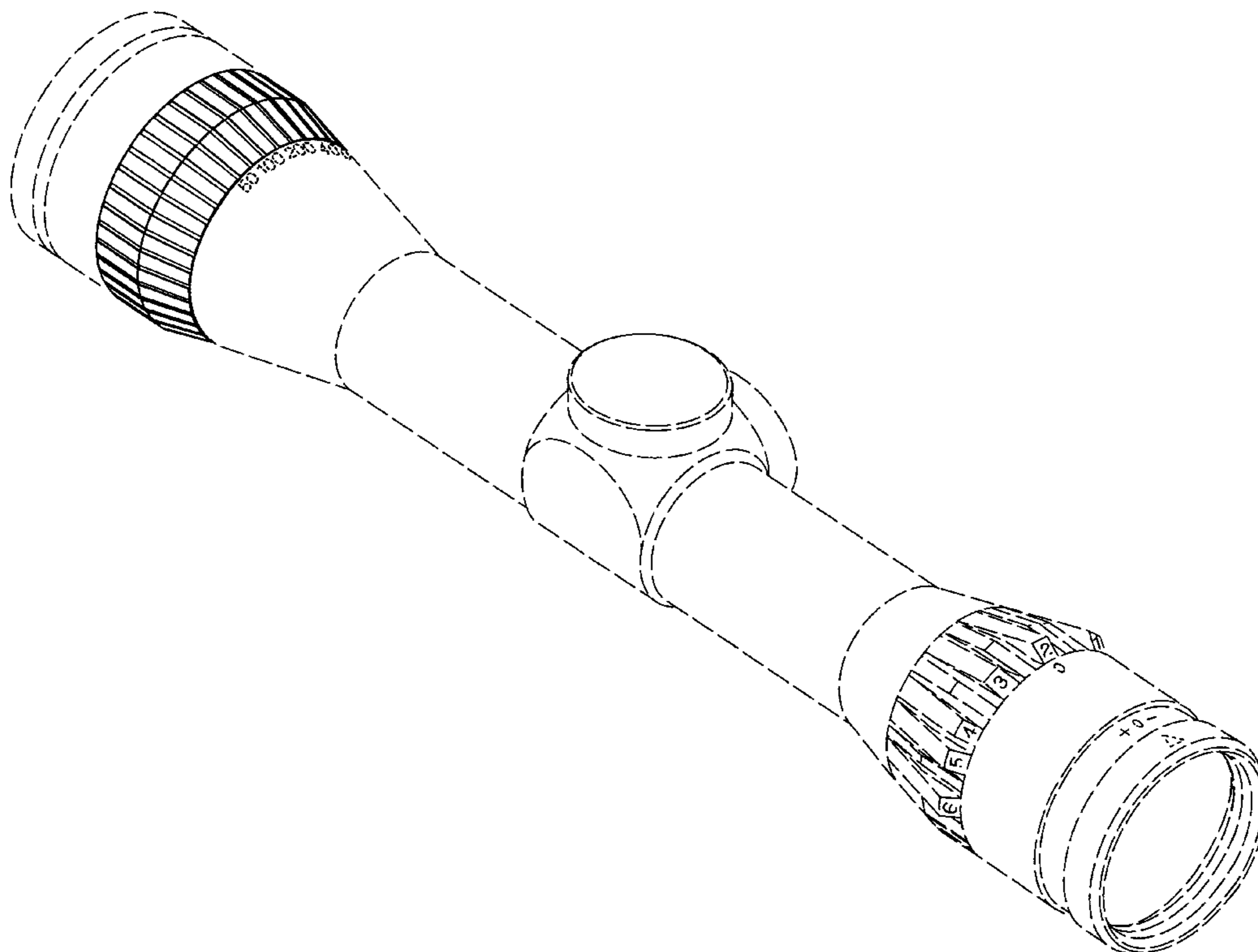


FIG. 1

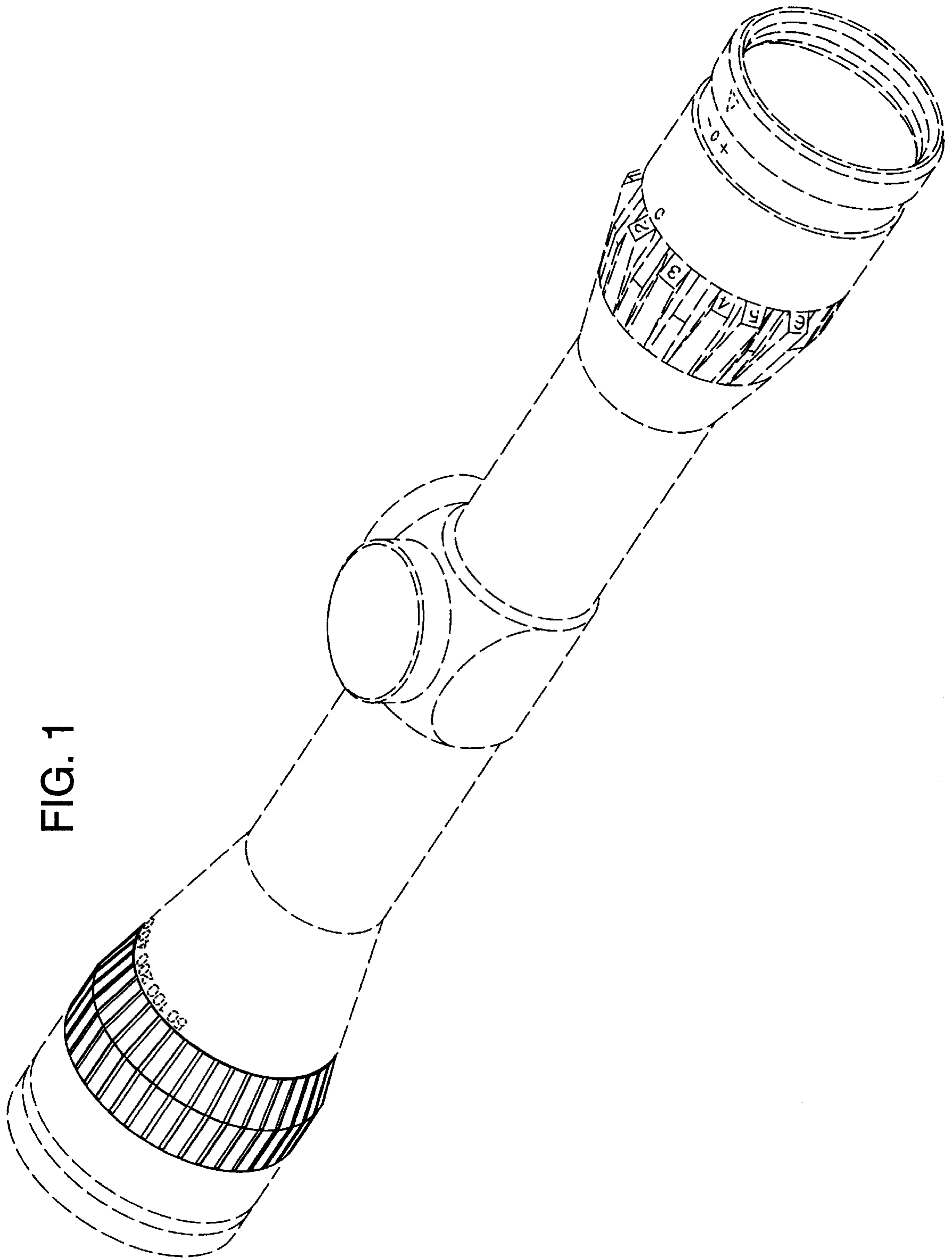


FIG. 2

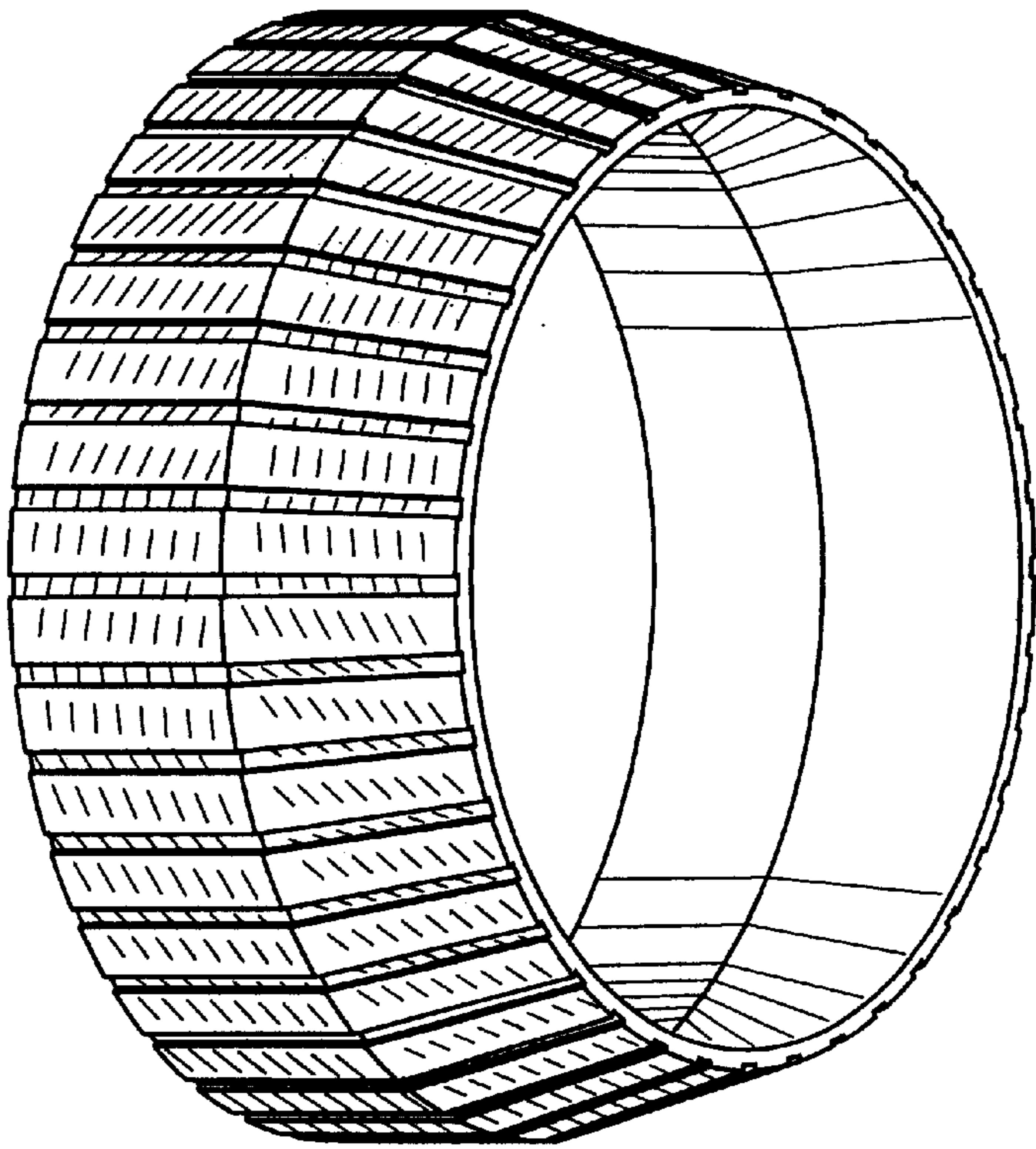


FIG. 3

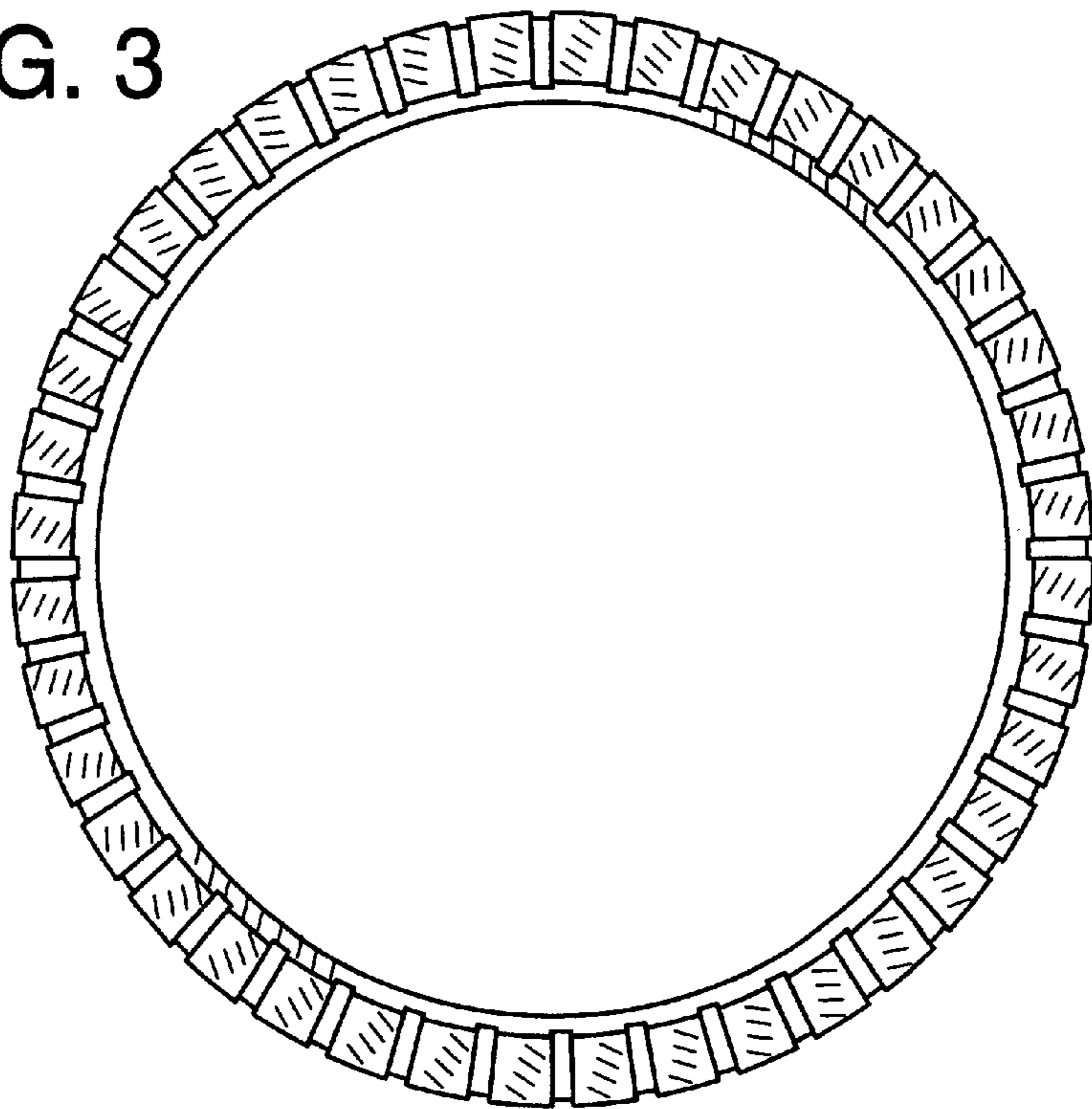


FIG. 4

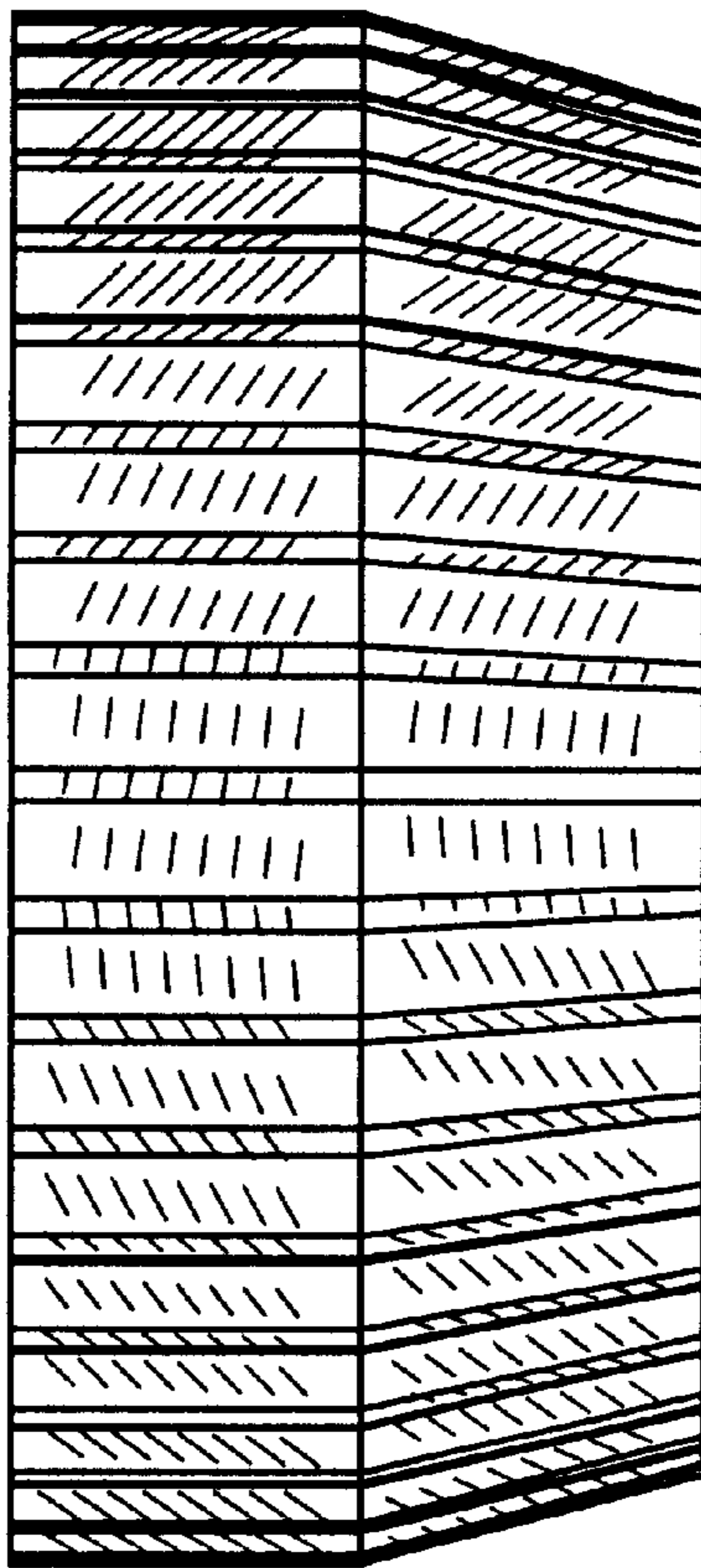


FIG. 5

