



US00D413151S

# United States Patent [19] Breuil

[11] Patent Number: Des. 413,151

[45] Date of Patent: \*\* Aug. 24, 1999

[54] TOY BABY CARE TABLE AND CRIB FOR BATHING, FEEDING, AND CHANGING A BABY

1,283,762 11/1918 Henschel ..... 446/482  
5,182,822 2/1993 Cyr et al. .... 446/482

[75] Inventor: Jean-Christophe Breuil, Lavans les St. Claude, France

Primary Examiner—Raphael Barkai  
Attorney, Agent, or Firm—Larson & Taylor

[73] Assignee: Monneret Jouets, Lons le Saunier, France

### [57] CLAIM

[\*\*] Term: 14 Years

The ornamental design for a toy baby care table and crib for bathing, feeding, and changing a baby, as shown.

[21] Appl. No.: 29/079,097

[22] Filed: Nov. 7, 1997

### [30] Foreign Application Priority Data

May 7, 1997 [XH] Hague Agreement ..... DM 040102

[51] LOC (6) Cl. .... 21-01

[52] U.S. Cl. .... D21/519; D6/390

[58] Field of Search ..... D21/519, 520,  
D21/521, 522; D6/390, 391, 397; 446/479,  
482, 481, 491

### DESCRIPTION

FIG. 1 is a front elevation perspective view of the toy baby care table and crib for bathing, feeding, and changing a baby of the present invention;

FIG. 2 is a top plan view of the toy baby care table and crib for bathing, feeding, and changing a baby depicted in FIG. 1;

FIG. 3 is a bottom plan view of the toy baby care table and crib for bathing, feeding, and changing a baby depicted in FIG. 1;

FIG. 4 is a rear elevational view of the toy baby care table and crib for bathing, feeding, and changing a baby depicted in FIG. 1;

FIG. 5 is a left side elevation view of the toy baby care table and crib for bathing, feeding, and changing a baby depicted in FIG. 1;

FIG. 6 is a right side elevation view of the toy baby care table and crib for bathing, feeding, and changing a baby depicted in FIG. 1; and,

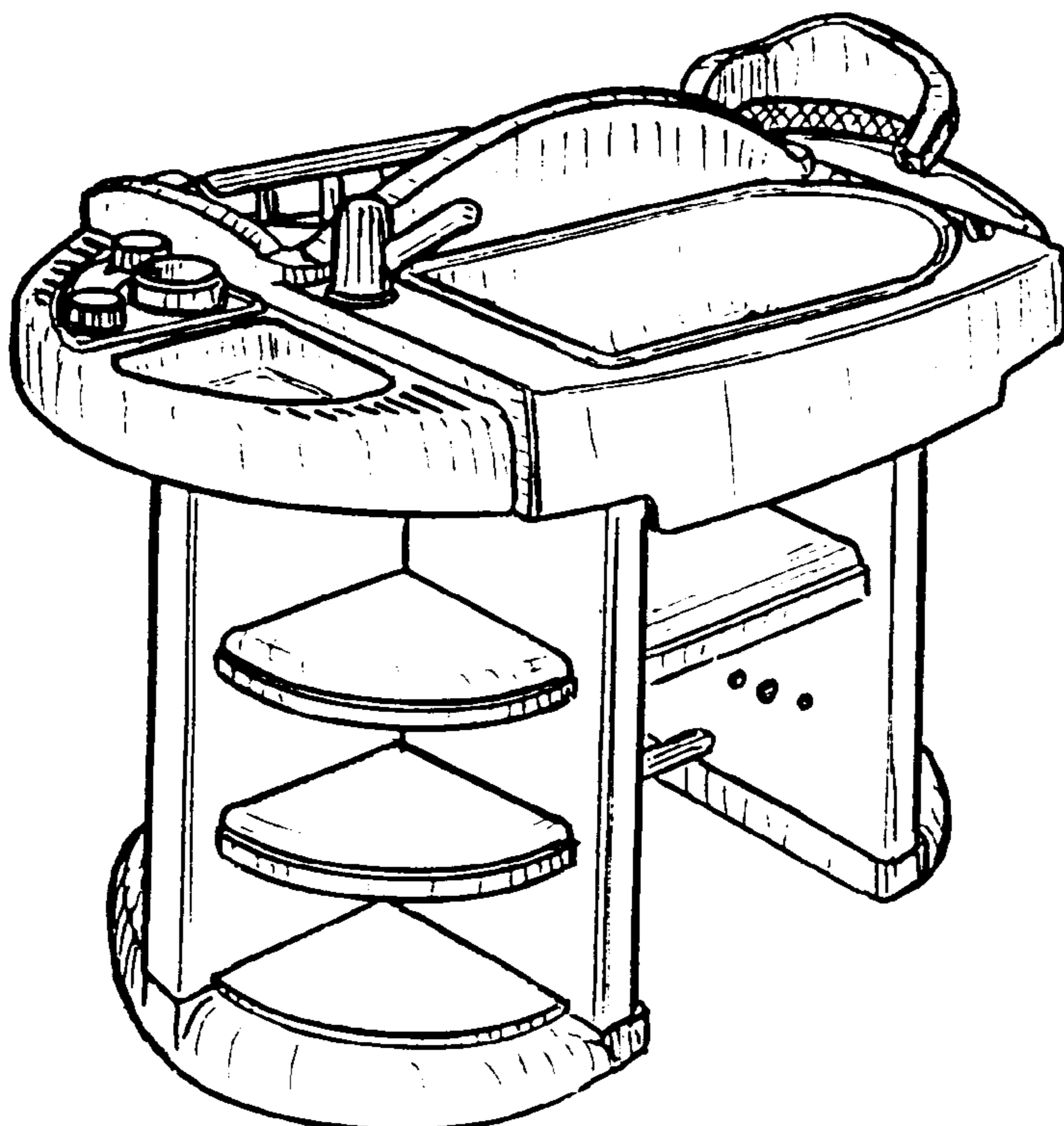
FIG. 7 is a front elevation view of the toy baby care table and crib for bathing, feeding, and changing a baby depicted in FIG. 1.

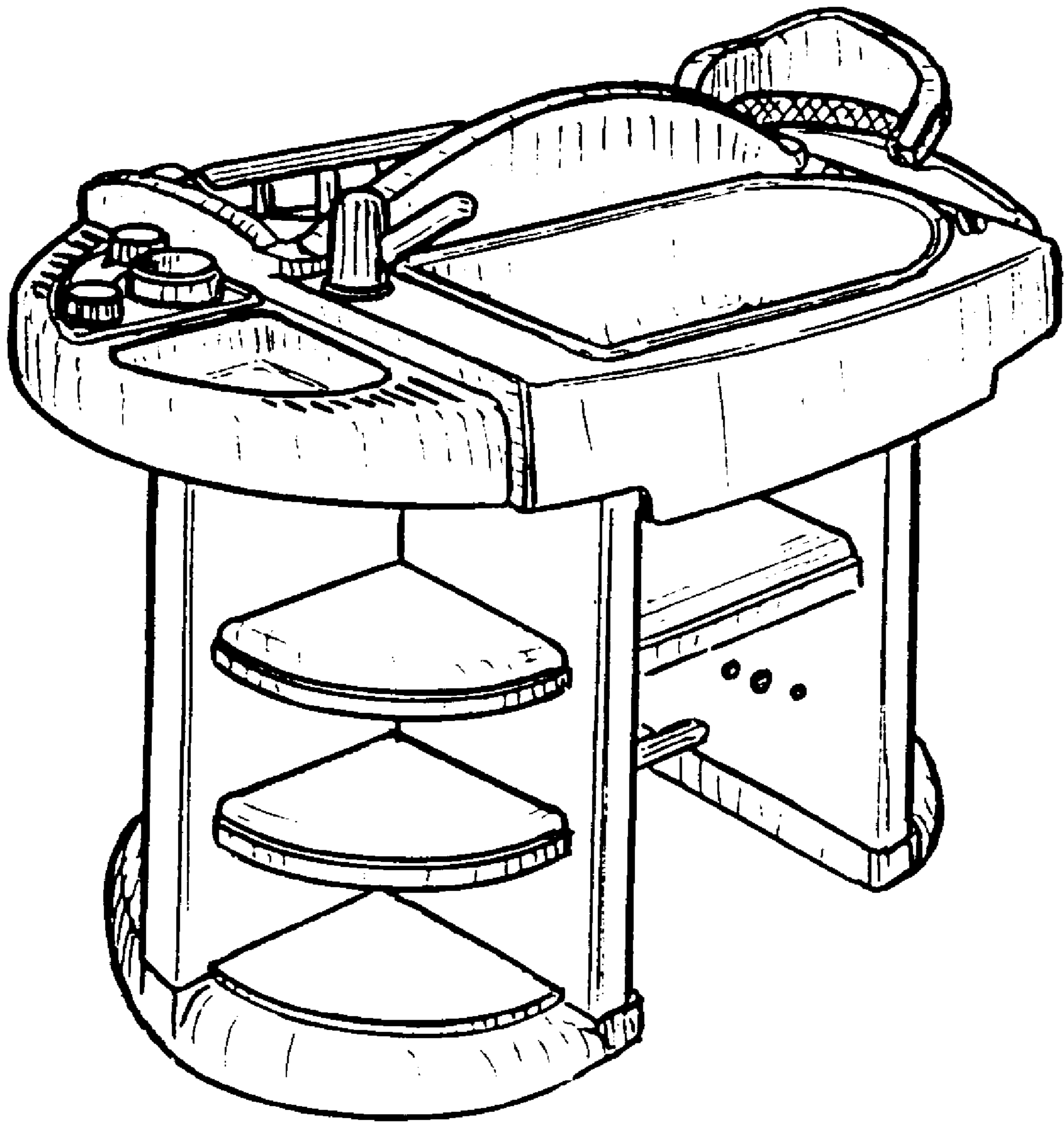
### [56] References Cited

#### U.S. PATENT DOCUMENTS

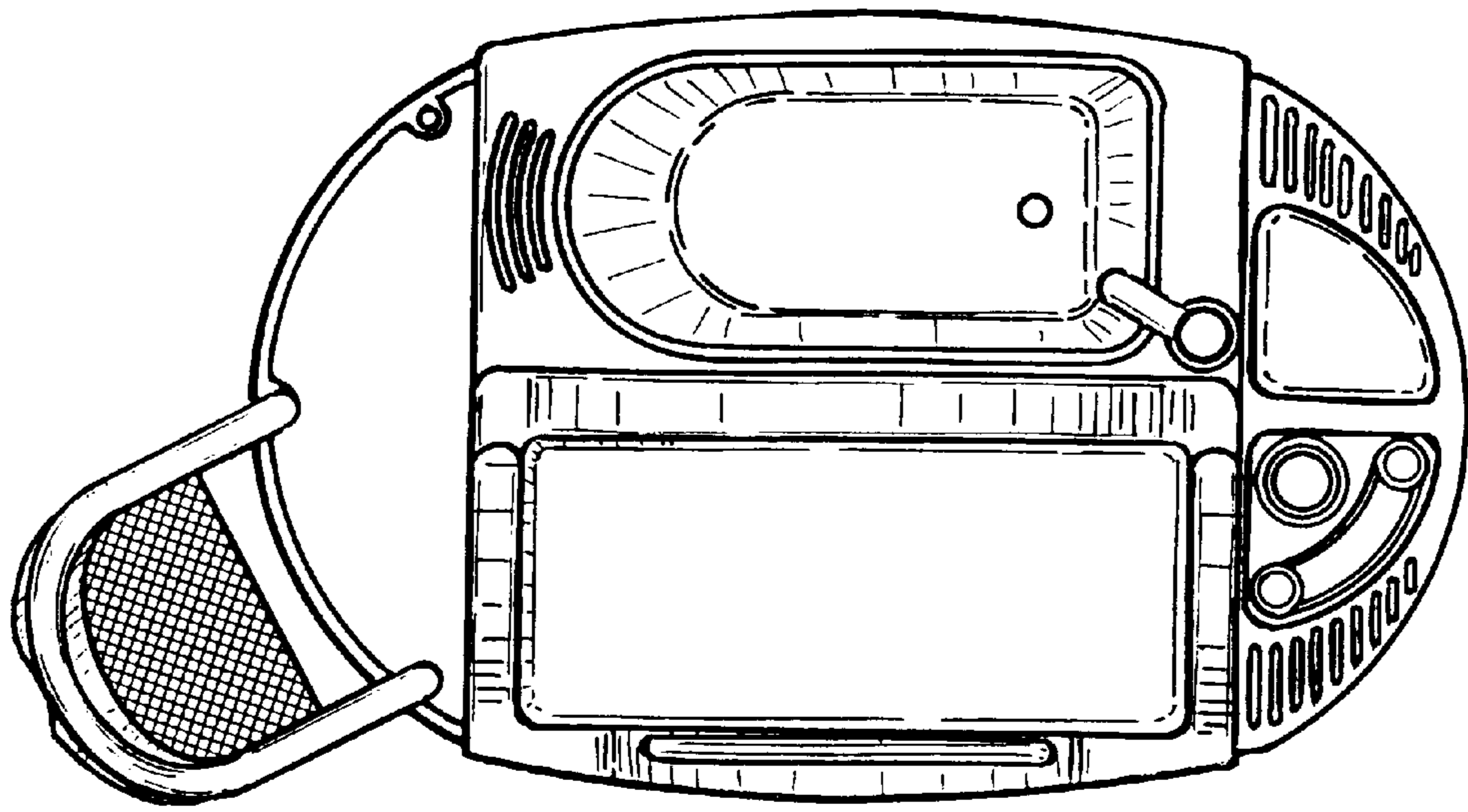
D. 204,400	4/1966	Horowitz	.....	D21/519
D. 316,283	4/1991	Zaruba	.....	D21/519
D. 318,307	7/1991	Hahn et al.	.....	D21/520
D. 326,292	5/1992	Monneret	.....	D21/519
D. 327,786	7/1992	Ferrell	.....	D6/390
D. 358,852	5/1995	Monneret	.....	D21/522
D. 362,139	9/1995	Brunner et al.	.....	D6/390

1 Claim, 4 Drawing Sheets

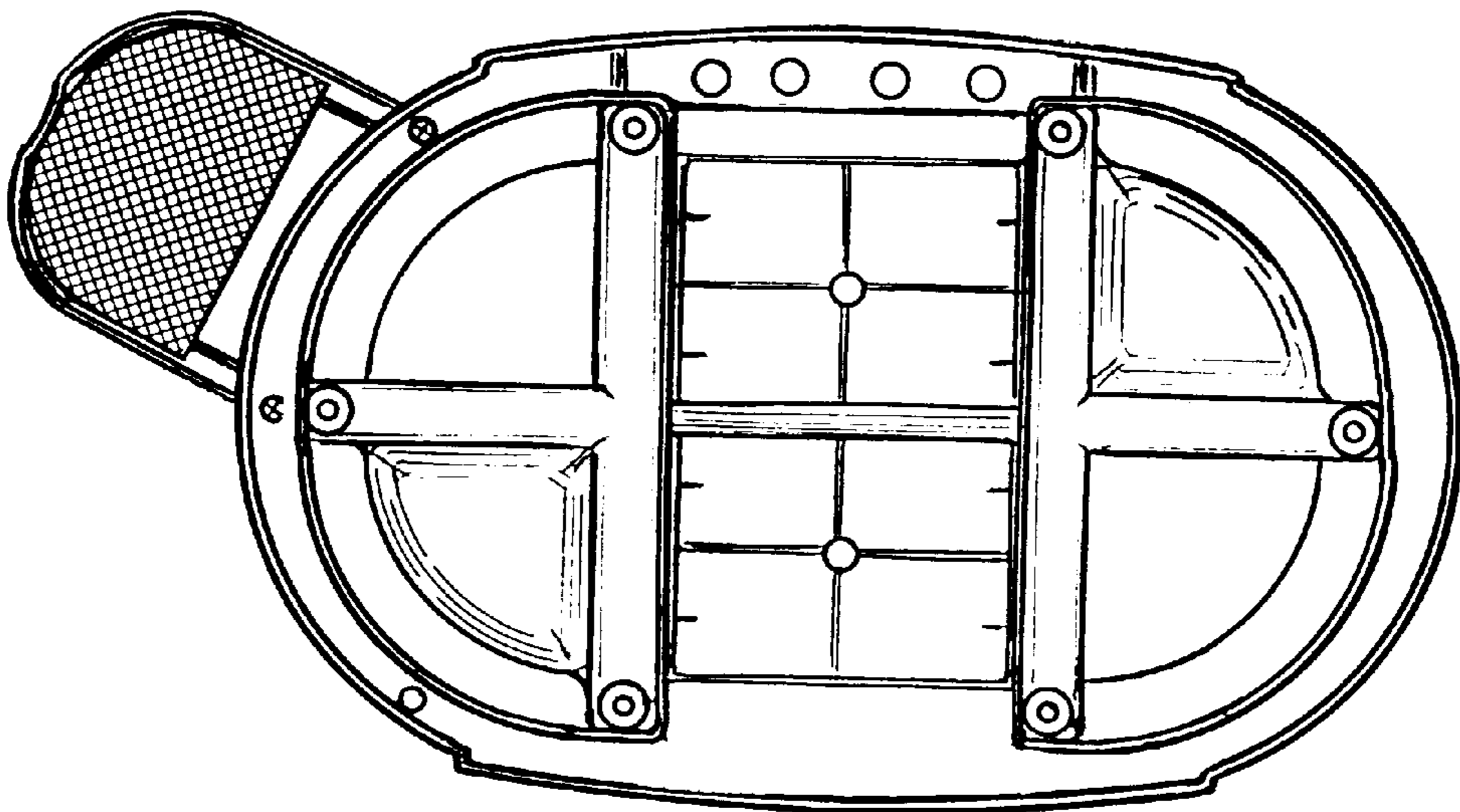




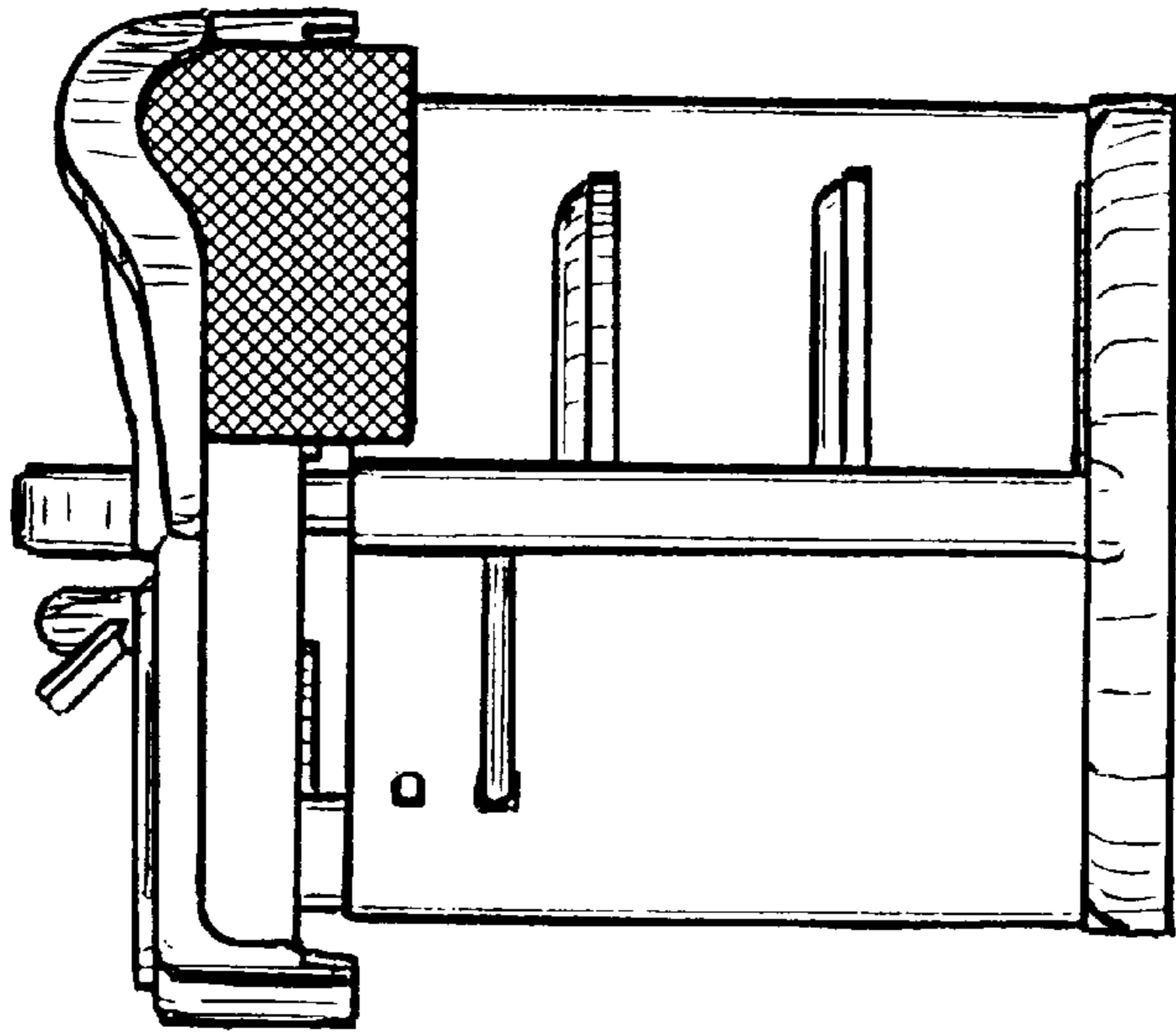
**FIG. 1**



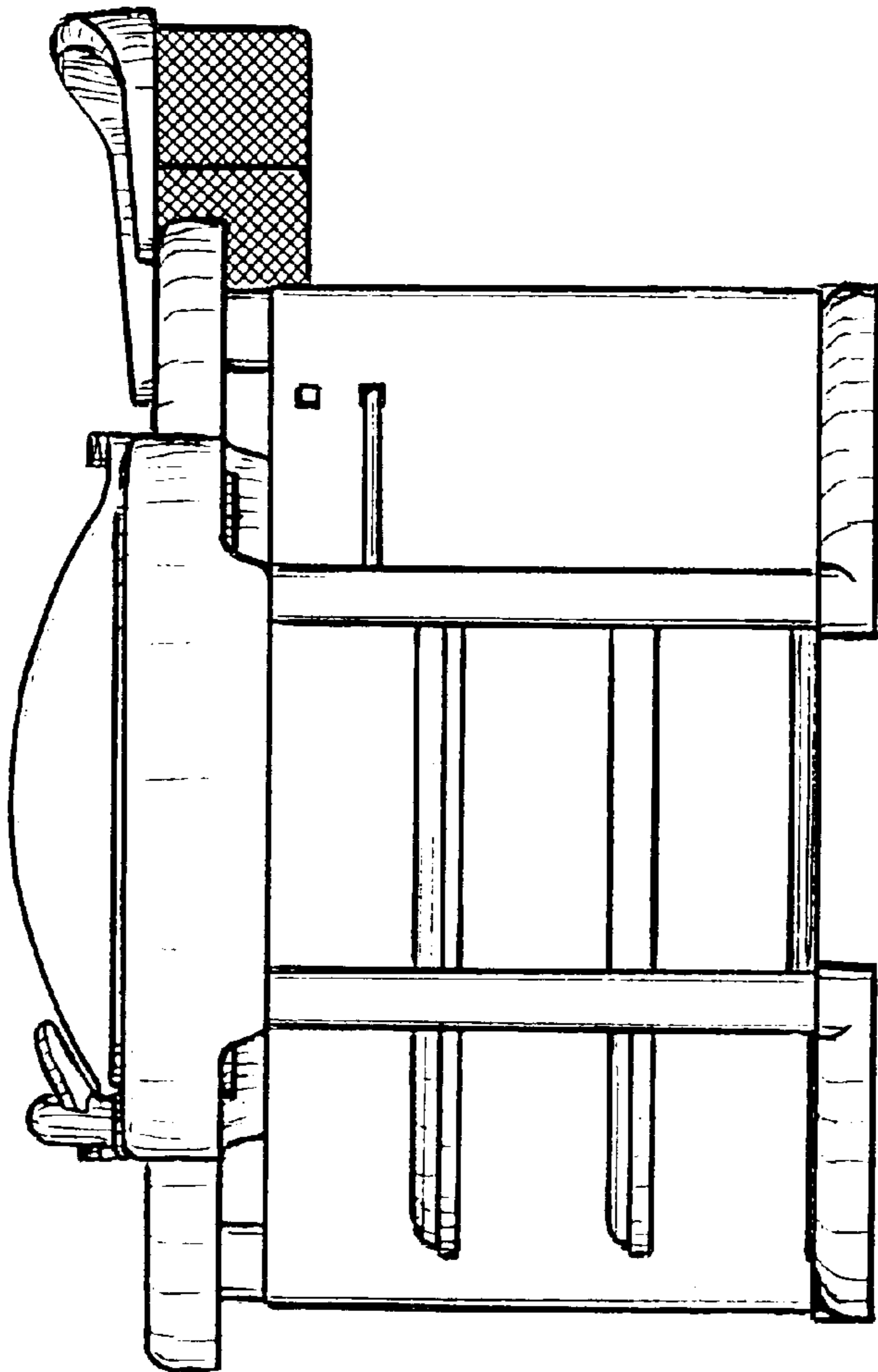
**FIG. 2**



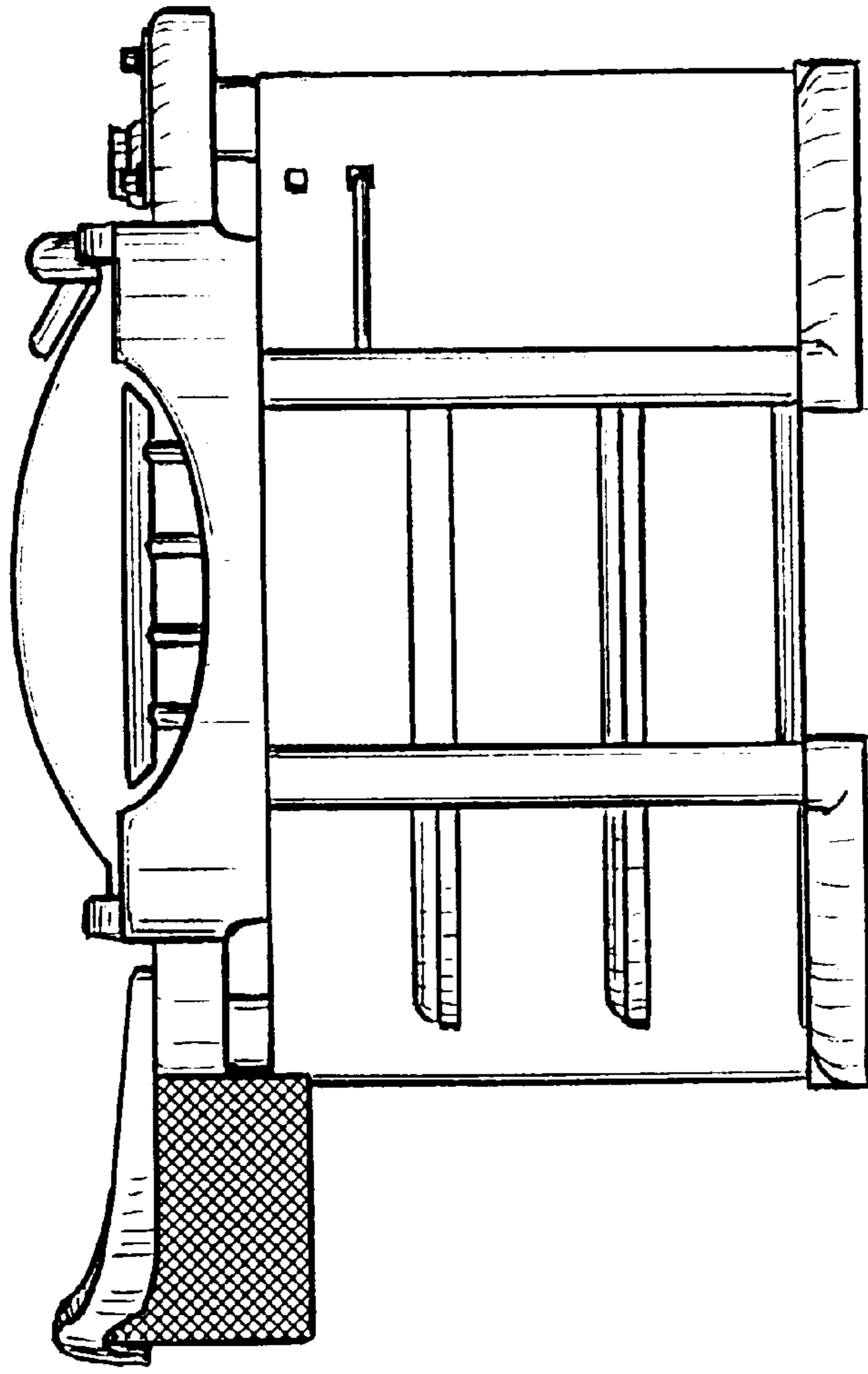
**FIG. 3**



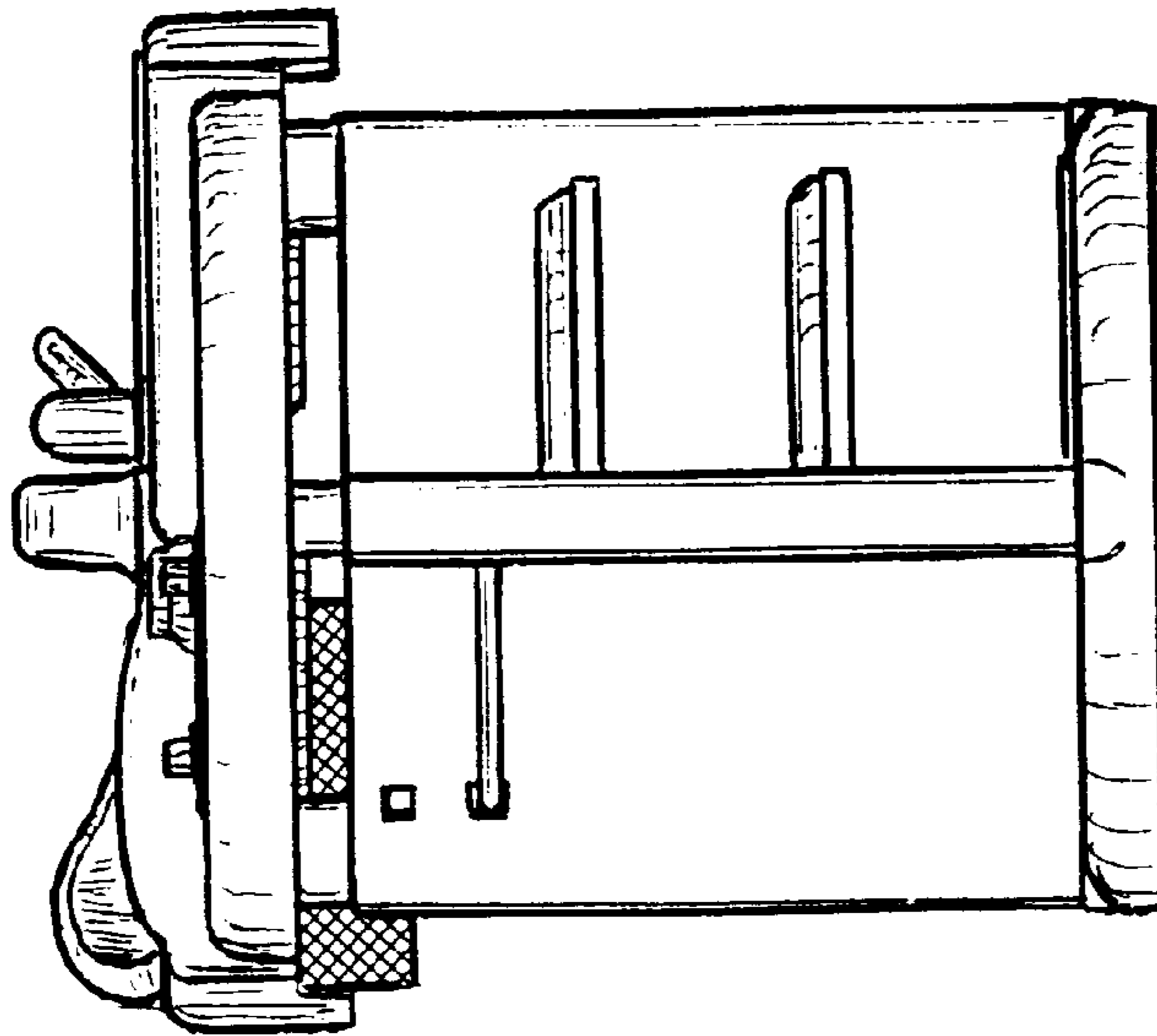
**FIG. 5**



**FIG. 4**



**FIG. 7**



**FIG. 6**