



US00D413149S

United States Patent [19]

Chan et al.

[11] Patent Number: Des. 413,149

[45] Date of Patent: ** Aug. 24, 1999

[54] ELECTRONIC LEARNING AID HOUSING

[76] Inventors: **Sannie L. S. Chan**, Room 1503, Sun Wo House, Tai Wo Estates, Tai, Po, New Territories; **Frederick L. T. Tsang**, Room A, 25/F, Block 3, Flora Plaza, Fanling, New Territories, both of The Hong Kong Special Administrative Region of the People's Republic of China

[**] Term: 14 Years

[21] Appl. No.: 29/080,748

[22] Filed: Dec. 15, 1997

[51] LOC (6) Cl. 21-01

[52] U.S. Cl. D21/475

[58] Field of Search D21/475, 476, D21/603, 398; D19/59, 60; 446/227, 404, 408

[56] References Cited

U.S. PATENT DOCUMENTS

D. 187,218 2/1960 McHugh D21/475

- D. 247,518 3/1978 Appel D21/405
- D. 286,656 11/1986 Kamensky D21/475
- D. 302,444 7/1989 Tapdrup et al. D21/475
- D. 335,900 5/1993 Oshimi D21/475
- D. 370,942 6/1996 Arad et al. D21/475

Primary Examiner—Dominic Simone

[57] CLAIM

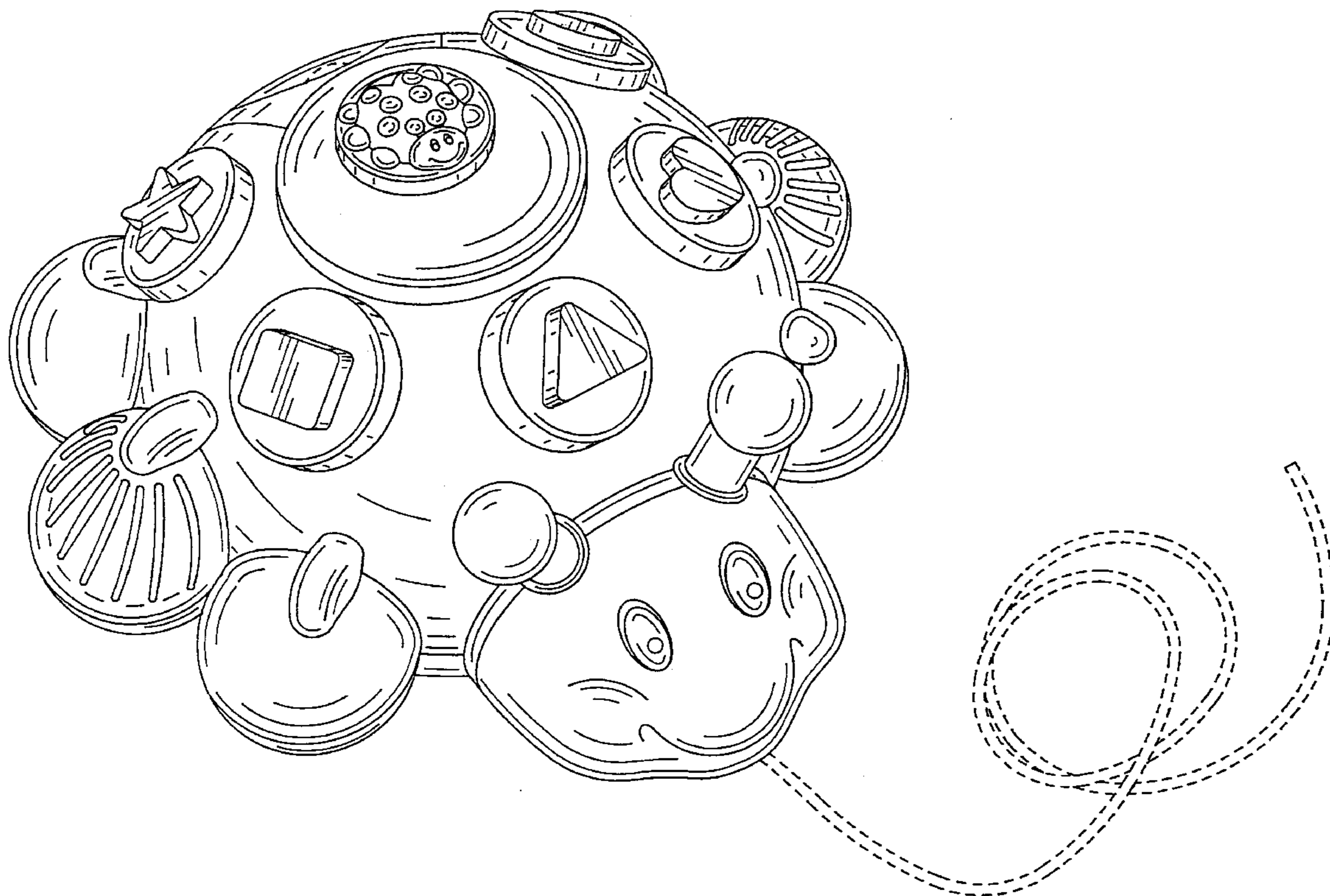
The ornamental design for an electronic learning aid housing, as described and shown.

DESCRIPTION

FIG. 1 is a top perspective view of the electronic learning aid housing showing our new ornamental design thereof;
 FIG. 2 is a top plan view thereof;
 FIG. 3 is a bottom plan view thereof;
 FIG. 4 is a right side elevational view thereof;
 FIG. 5 is a left side elevational view thereof;
 FIG. 6 is a front plan view thereof; and,
 FIG. 7 is a rear elevational view thereof.

All elements shown in broken lines are shown for illustrative purposes only and do not form part of the claimed design.

1 Claim, 5 Drawing Sheets



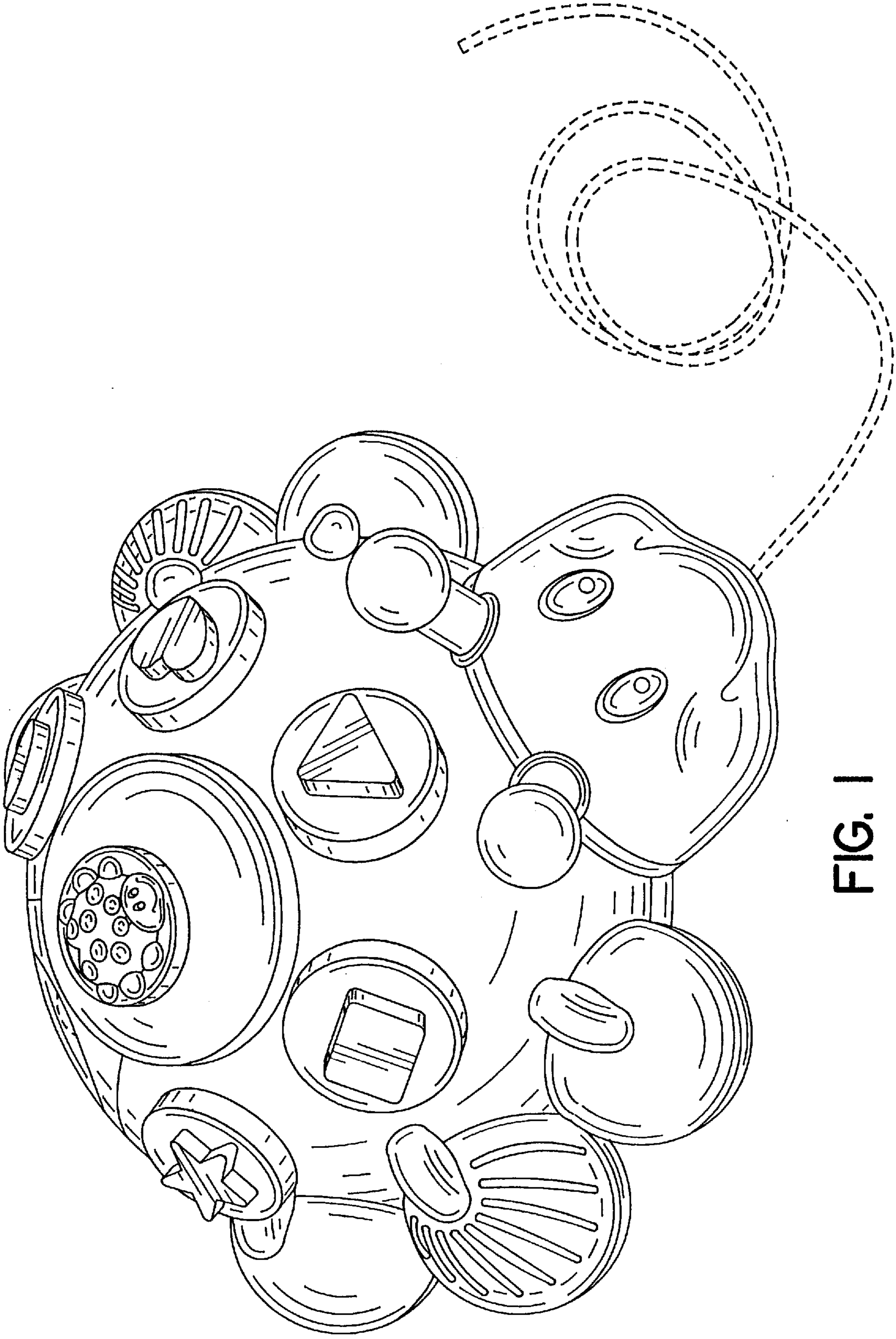


FIG. 1

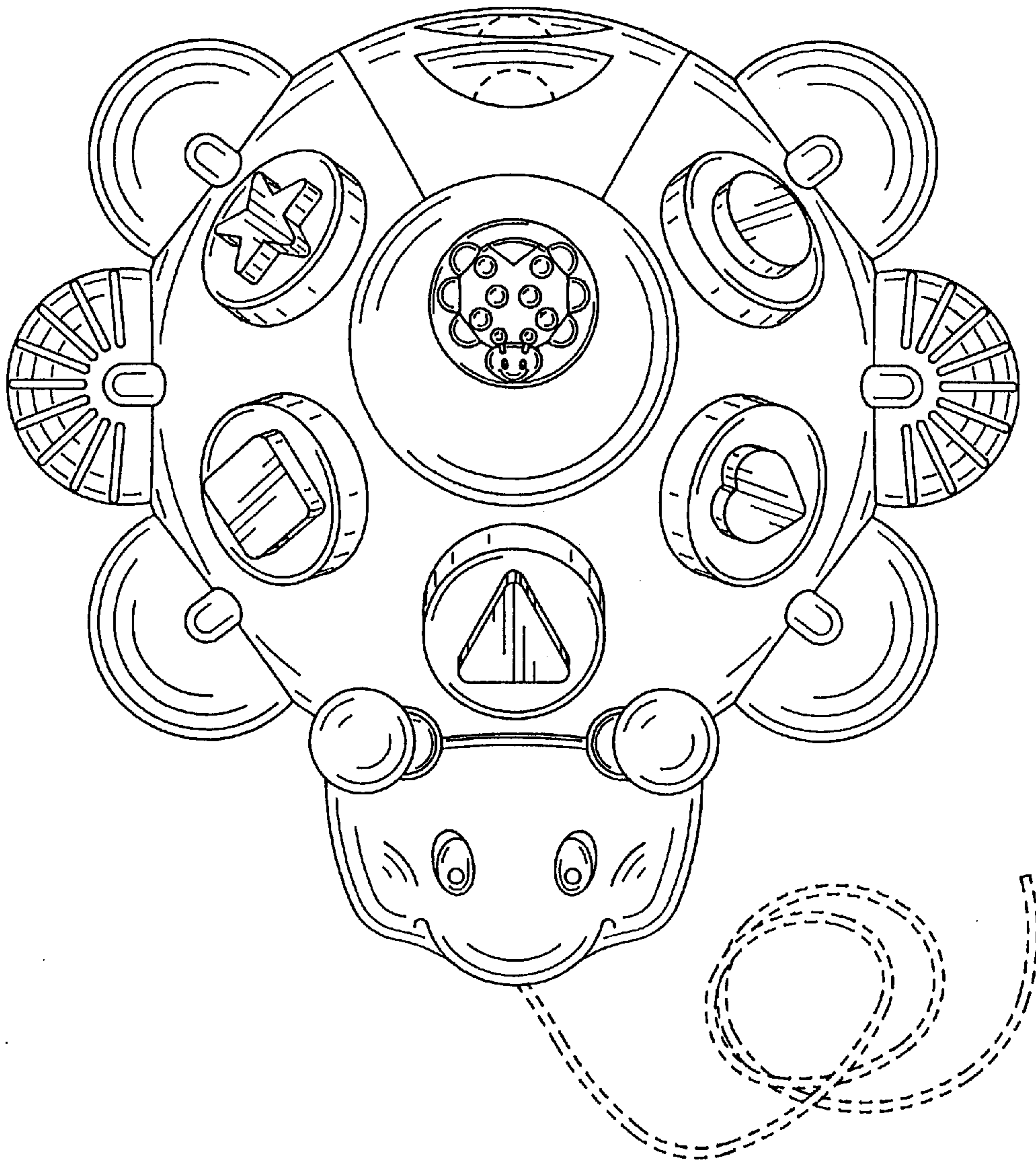


FIG. 2

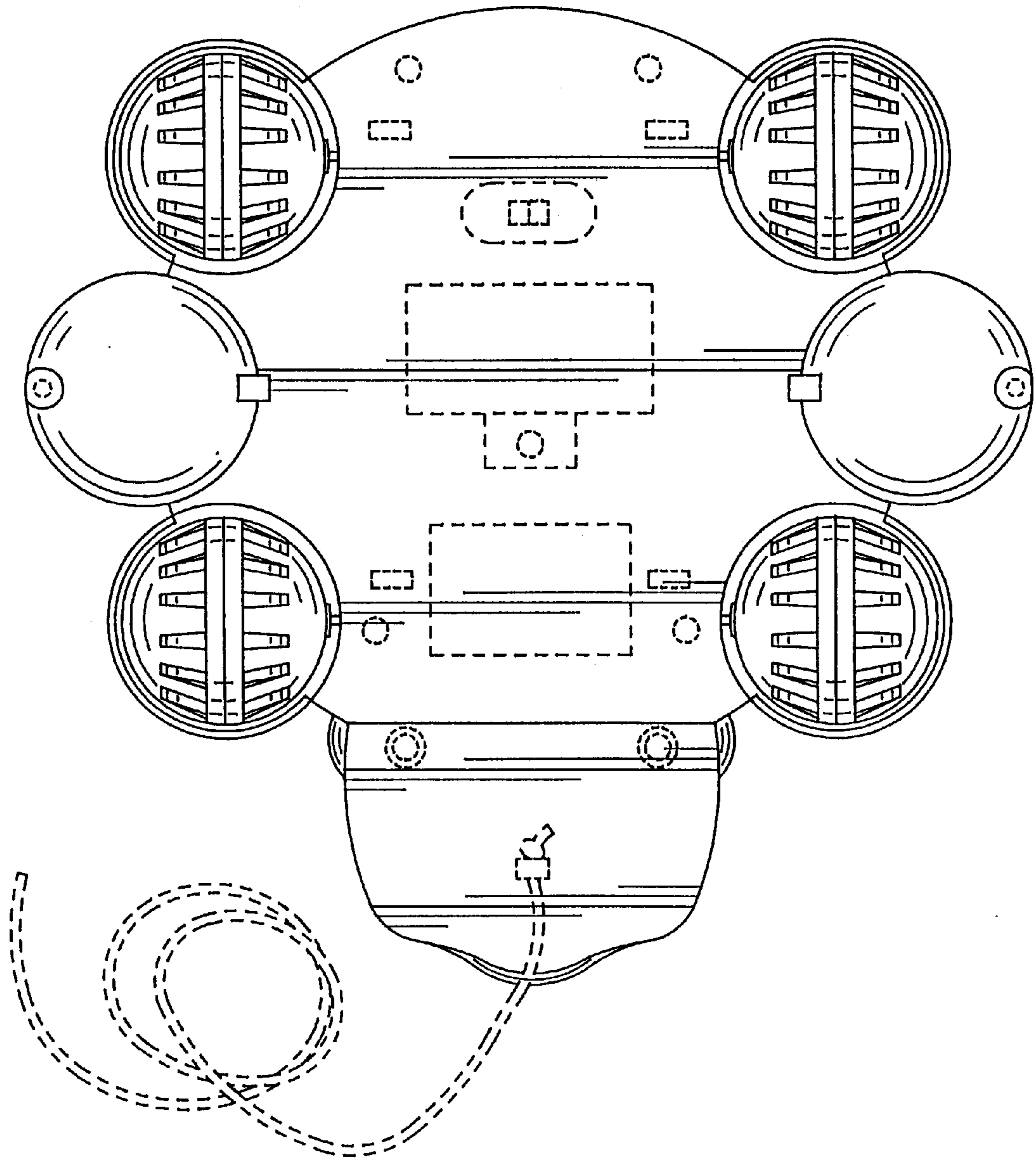


FIG. 3

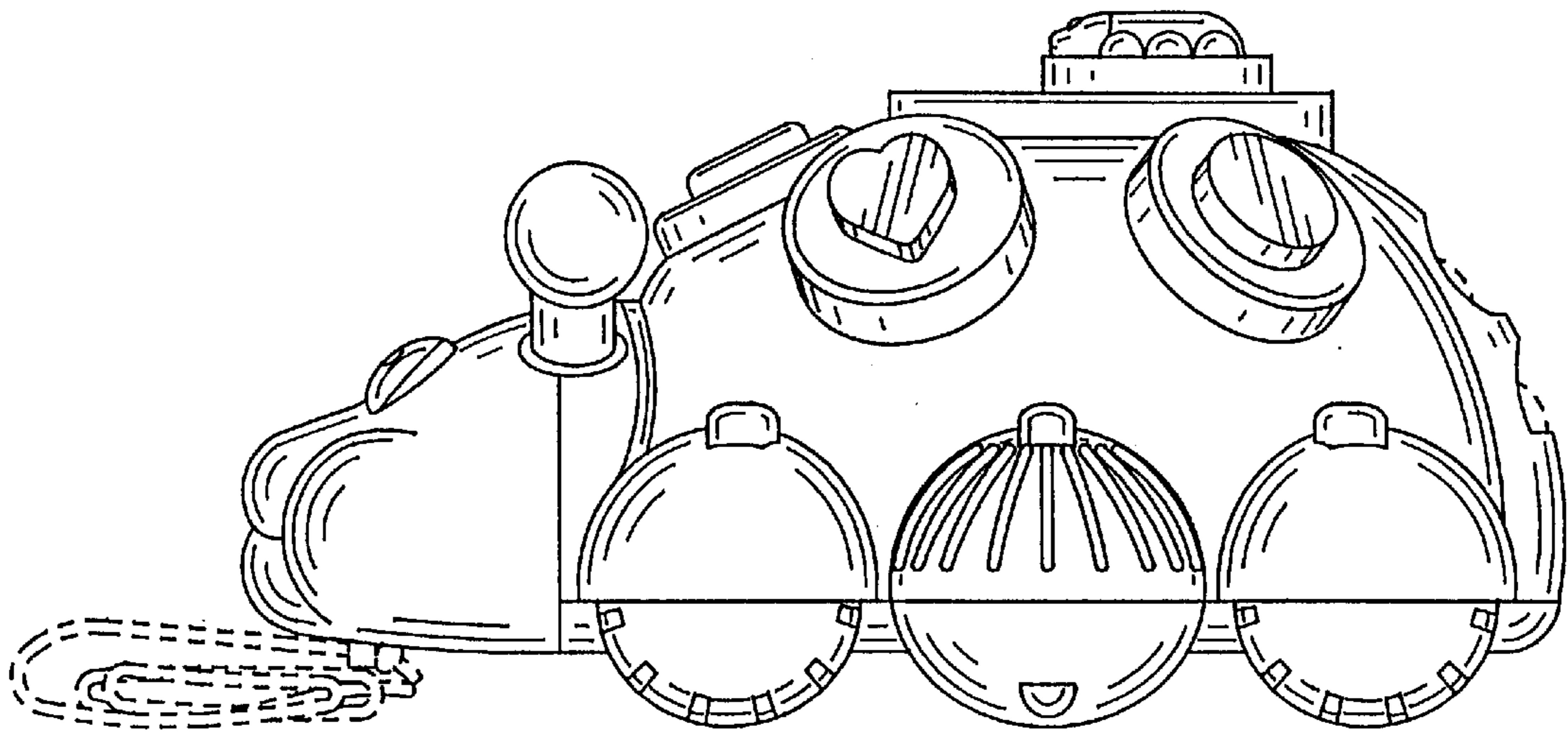


FIG. 4

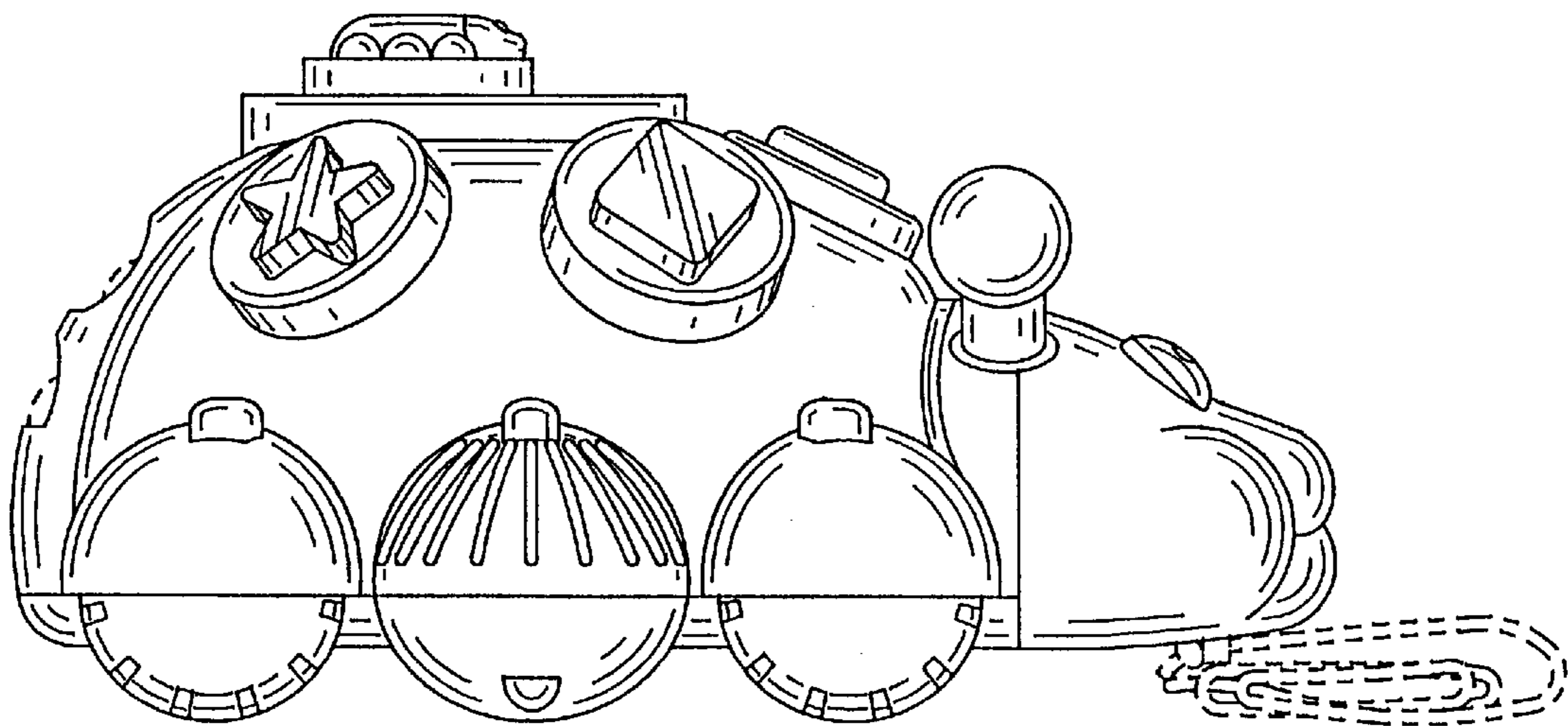


FIG. 5

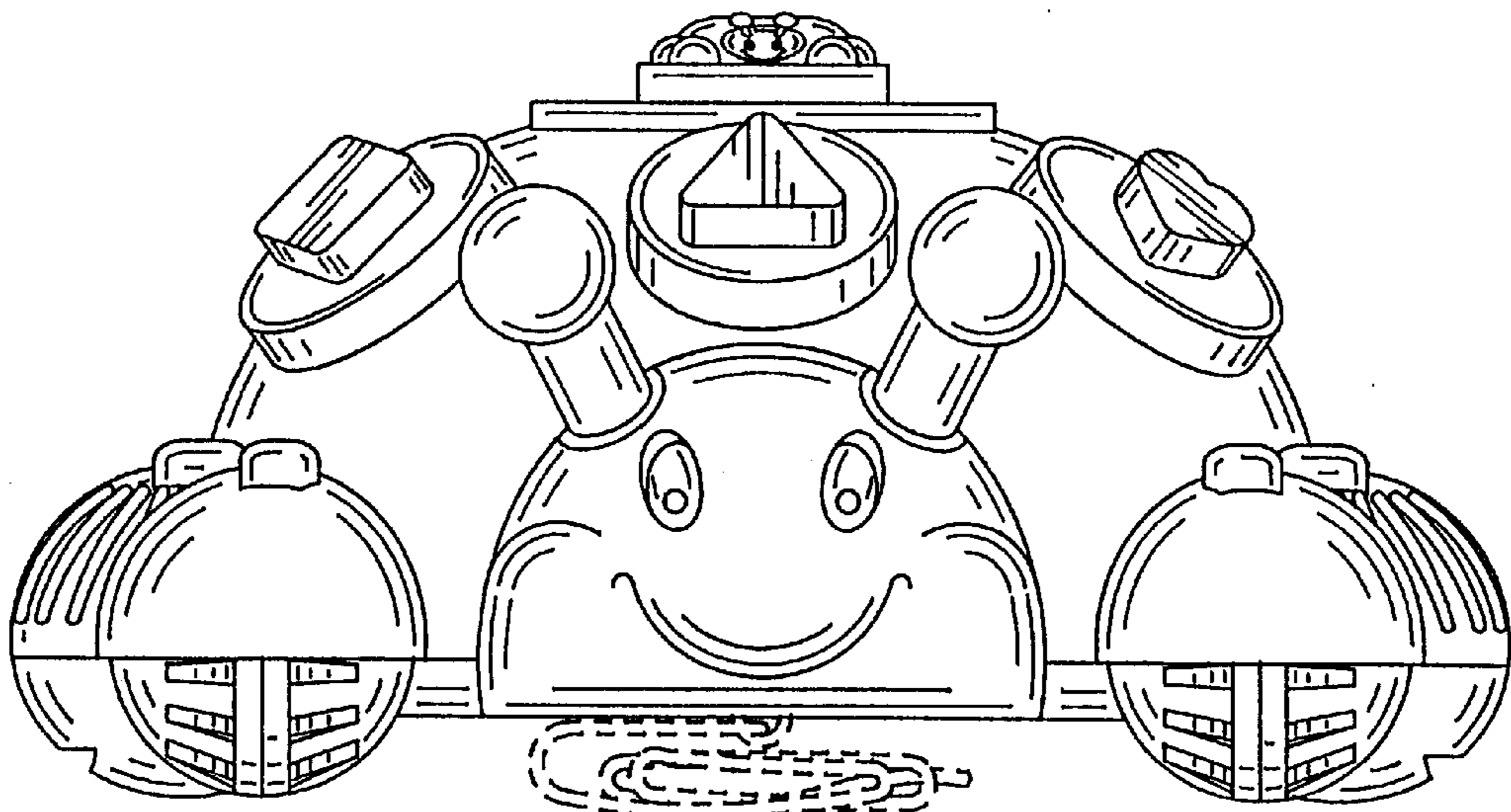


FIG. 6

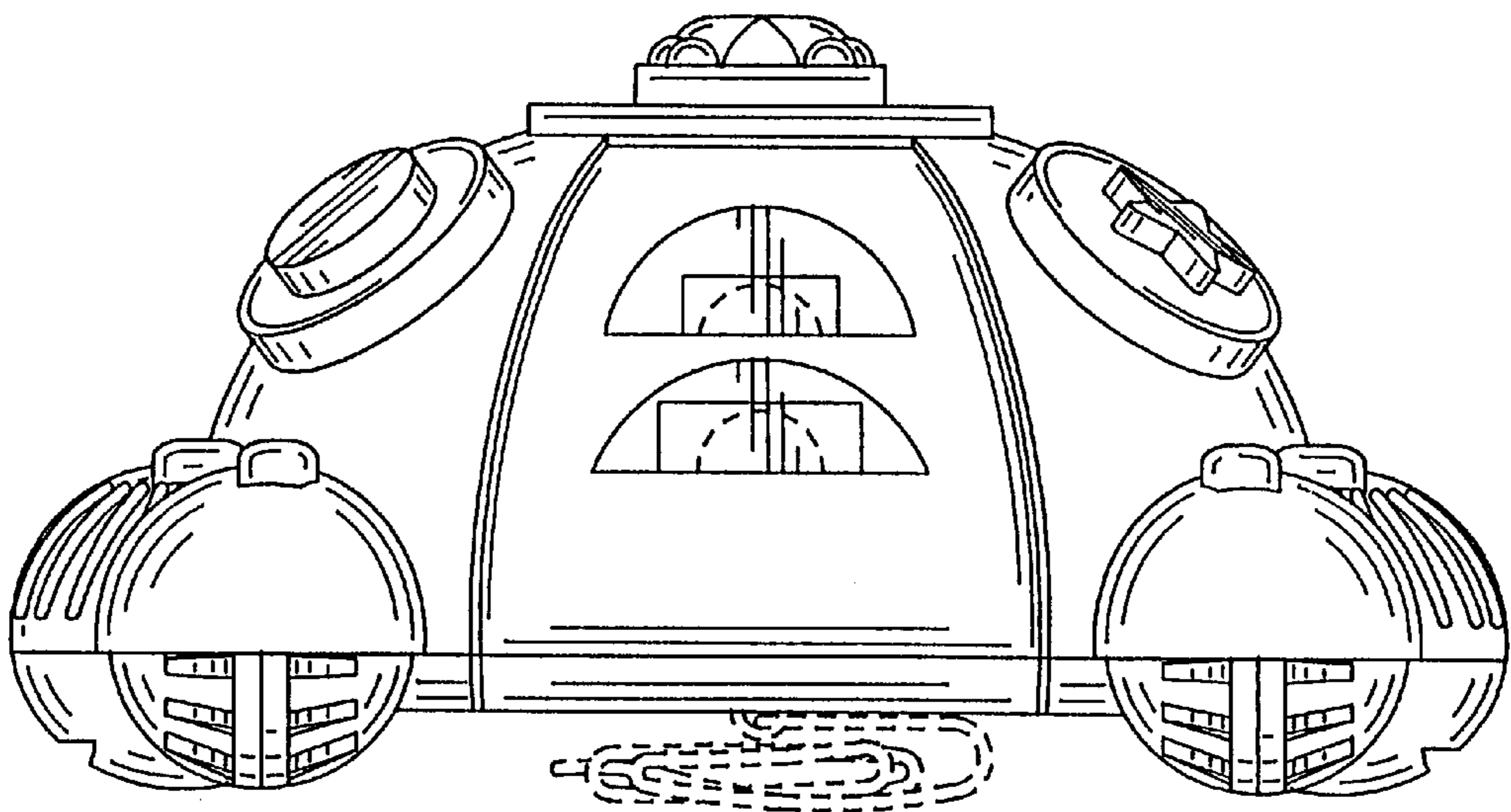


FIG. 7