



US00D413148S

United States Patent [19] Ferguson

[11] **Patent Number: Des. 413,148**

[45] **Date of Patent: ** Aug. 24, 1999**

[54] **INFORMATION DISPLAY UNIT**

[76] Inventor: **John P. Ferguson**, 100 Oak Springs Ct., Easley, S.C. 29640

[**] Term: **14 Years**

[21] Appl. No.: **29/083,184**

[22] Filed: **Jan. 23, 1998**

[51] **LOC (6) Cl. 20-02**

[52] **U.S. Cl. D20/40; D12/191**

[58] **Field of Search** D12/191, 417; D5/15; 296/97.1, 97.6, 97.7, 97.8, 97.5; 160/370.21, DIG. 3; 40/591, 593, 588, 40, 643, 654.01, 661; D20/10, 42, 19

[56] **References Cited**

U.S. PATENT DOCUMENTS

| | | | | |
|------------|--------|---------------|-------|------------|
| D. 178,745 | 9/1956 | Wheeler | | D12/417 |
| 2,540,221 | 2/1951 | Hoeve et al. | | 40/10 |
| 3,141,253 | 7/1964 | Bartram | | 40/129 |
| 3,168,070 | 2/1965 | Verney | | 116/28 |
| 4,069,606 | 1/1978 | Shevin et al. | | 40/643 |
| 4,165,572 | 8/1979 | Sussman | | 40/10 |
| 4,391,053 | 7/1983 | Anthony | | 296/97.5 X |
| 4,601,255 | 7/1986 | Marcotti | | 116/173 |
| 4,719,798 | 1/1988 | Orkin | | 73/189 |
| 4,746,045 | 5/1988 | Schweim | | 40/661 X |

| | | | | |
|-----------|--------|-----------------|-------|----------|
| 4,754,565 | 7/1988 | Cox | | 40/591 |
| 4,955,153 | 9/1990 | Albrecht et al. | | 40/661 |
| 5,326,095 | 7/1994 | Dudley | | 273/32 |
| 5,772,272 | 6/1998 | Faddis | | 296/97.5 |

Primary Examiner—Susan J. Lucas
Assistant Examiner—Jennifer Rivard
Attorney, Agent, or Firm—Henry S. Jaudon; Cort Flint

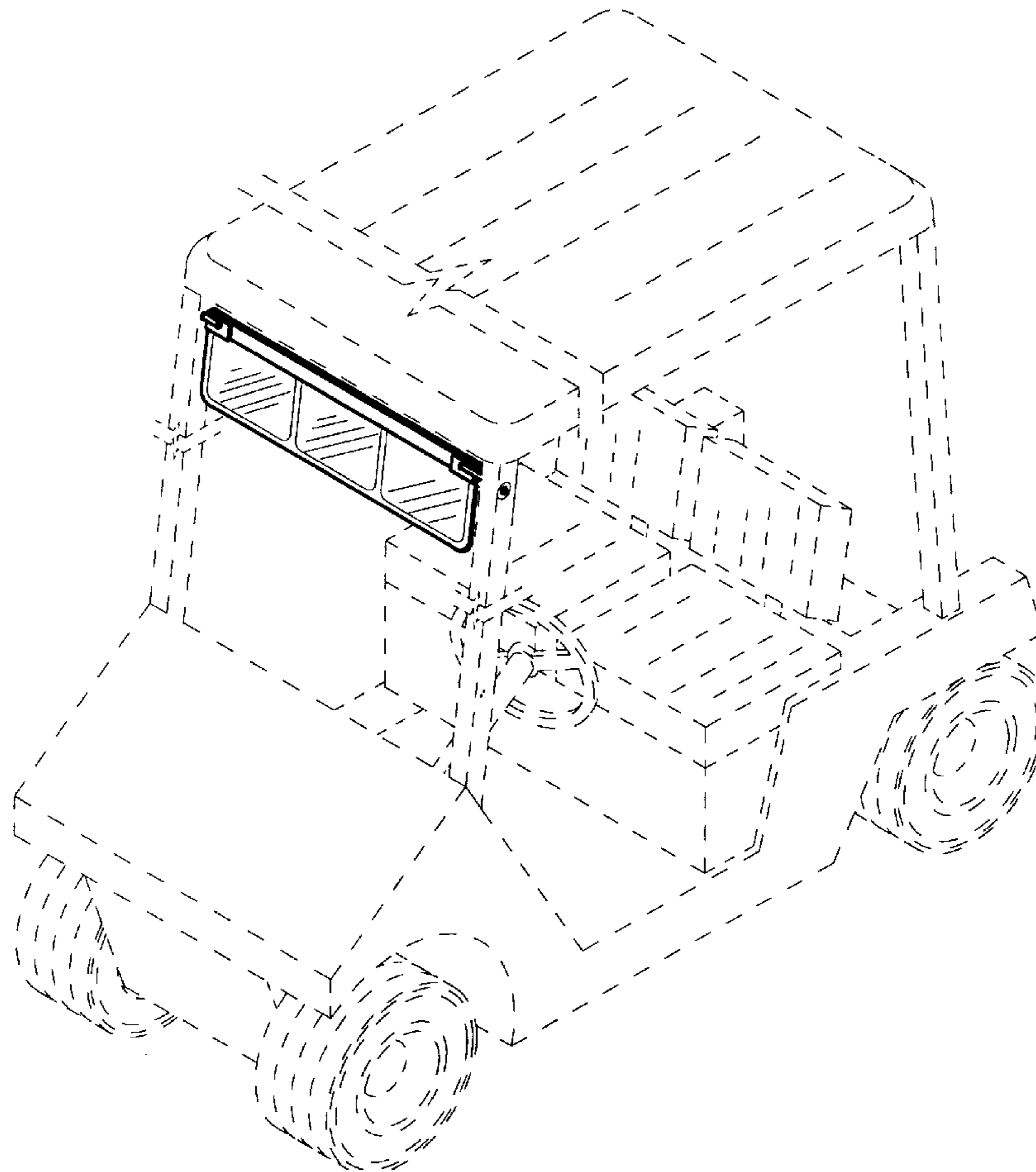
[57] **CLAIM**

The ornamental design for an information display unit, as shown and described.

DESCRIPTION

FIG. 1 is a rear perspective view of the information display unit of my new design incorporated with a golf cart; FIG. 2 is a front plan view of my new design; FIG. 3 is a rear plan view of my new design; FIG. 4 is a sectional side view of my design; FIG. 5 is a sectional side view of my design shown in a pivoted state; FIG. 6 is a rear perspective view of an alternative arrangement of the information display unit of my design; and, FIG. 7 is a front plan view of the alternative arrangement of the information display unit of my new design. The broken lines are shown for illustrative purposes only and form no part of the claimed design. The sectional side views are shown for convenience of illustration.

1 Claim, 3 Drawing Sheets



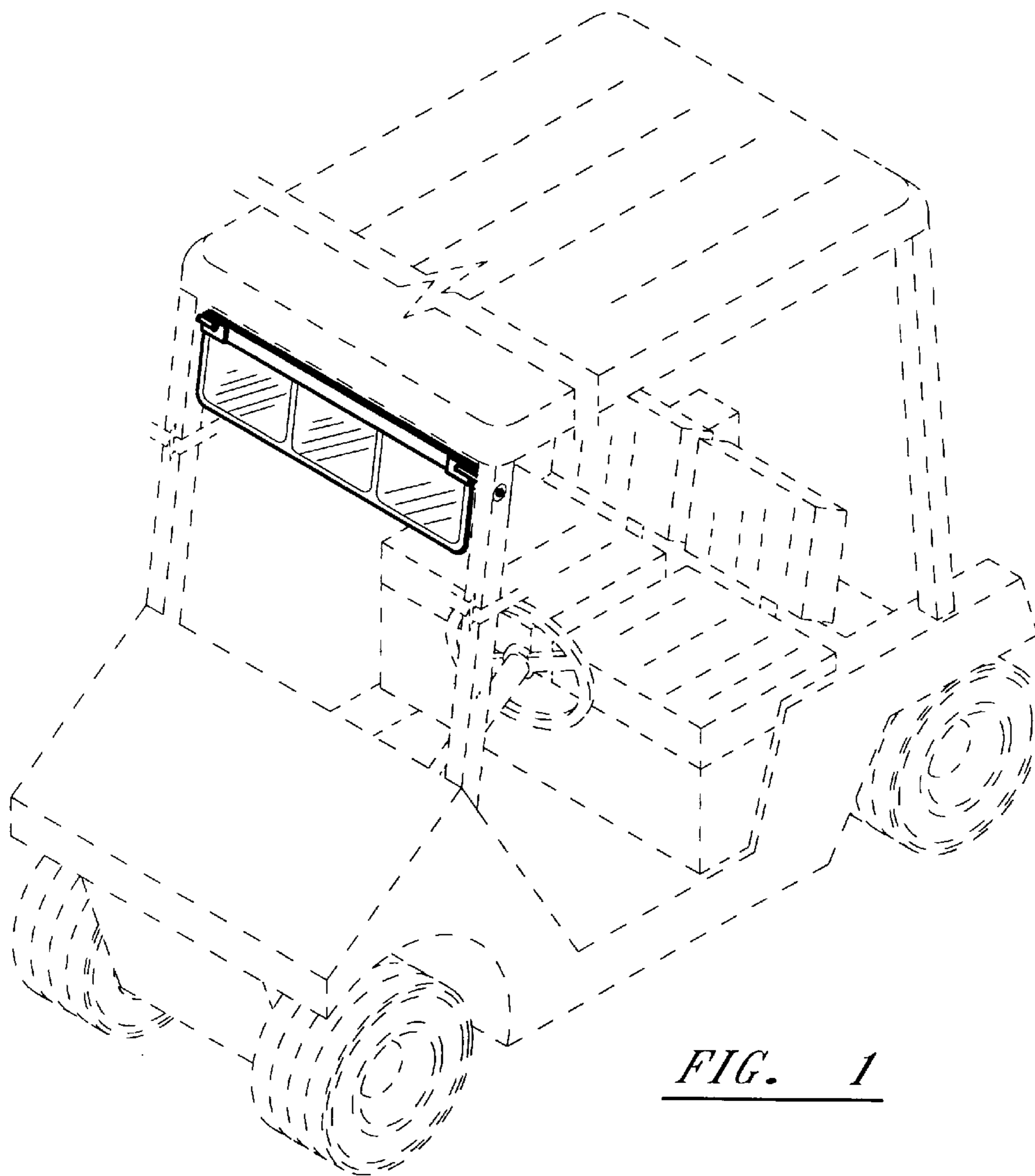


FIG. 1

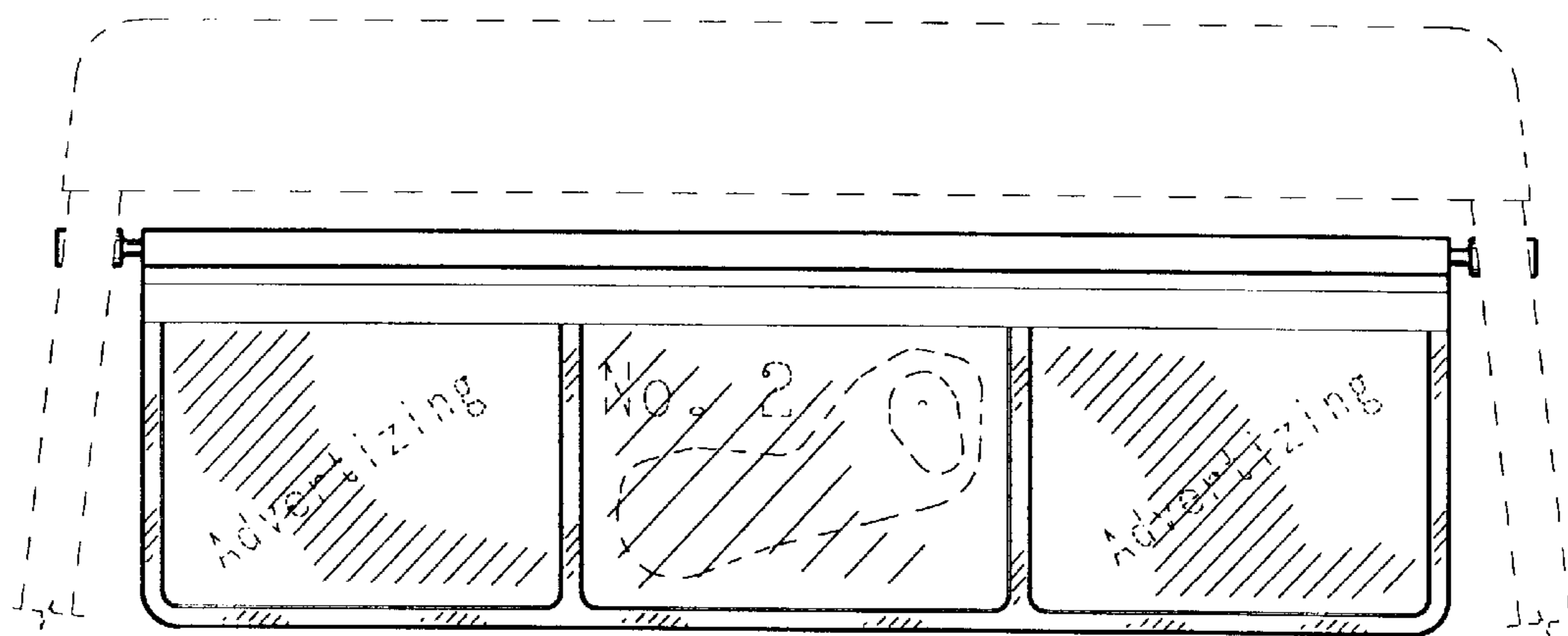


FIG. 2

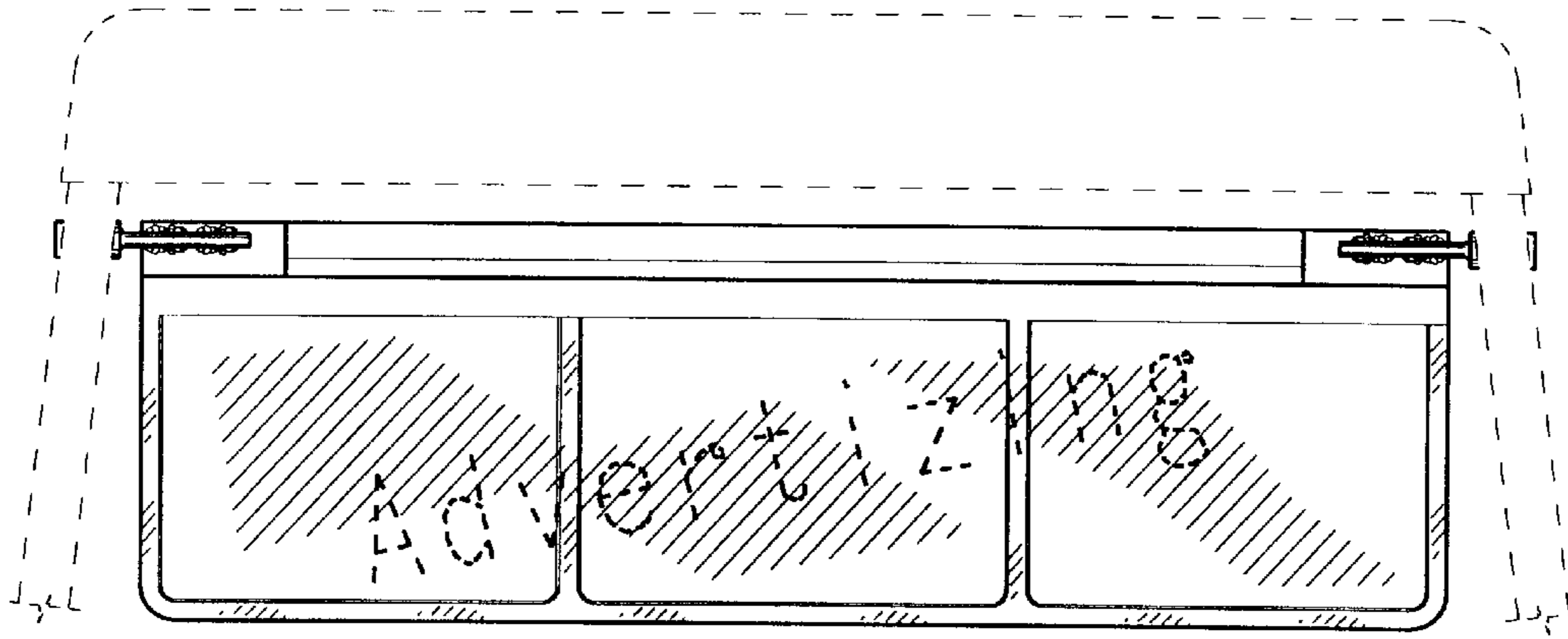


FIG. 3

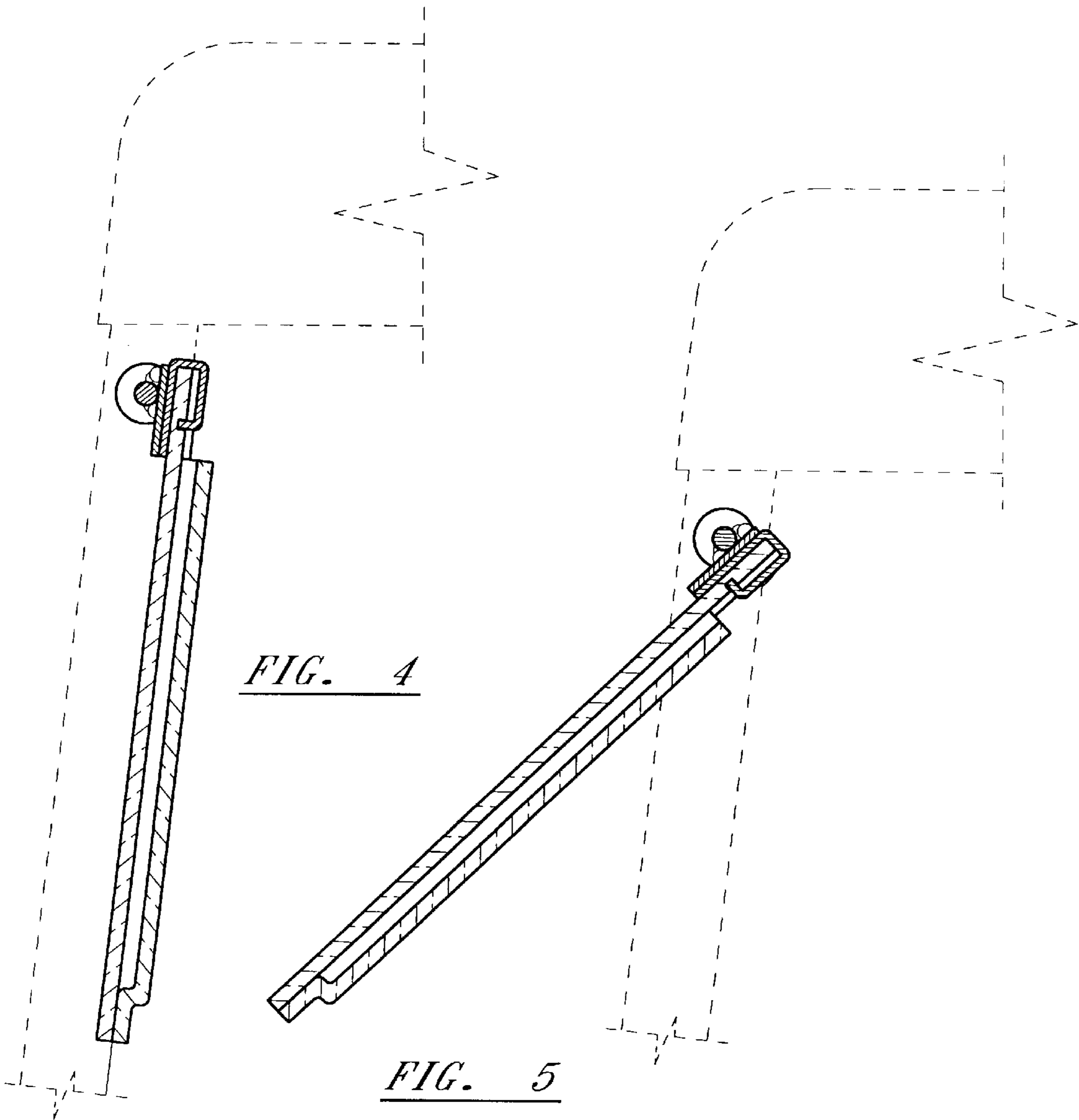


FIG. 4

FIG. 5

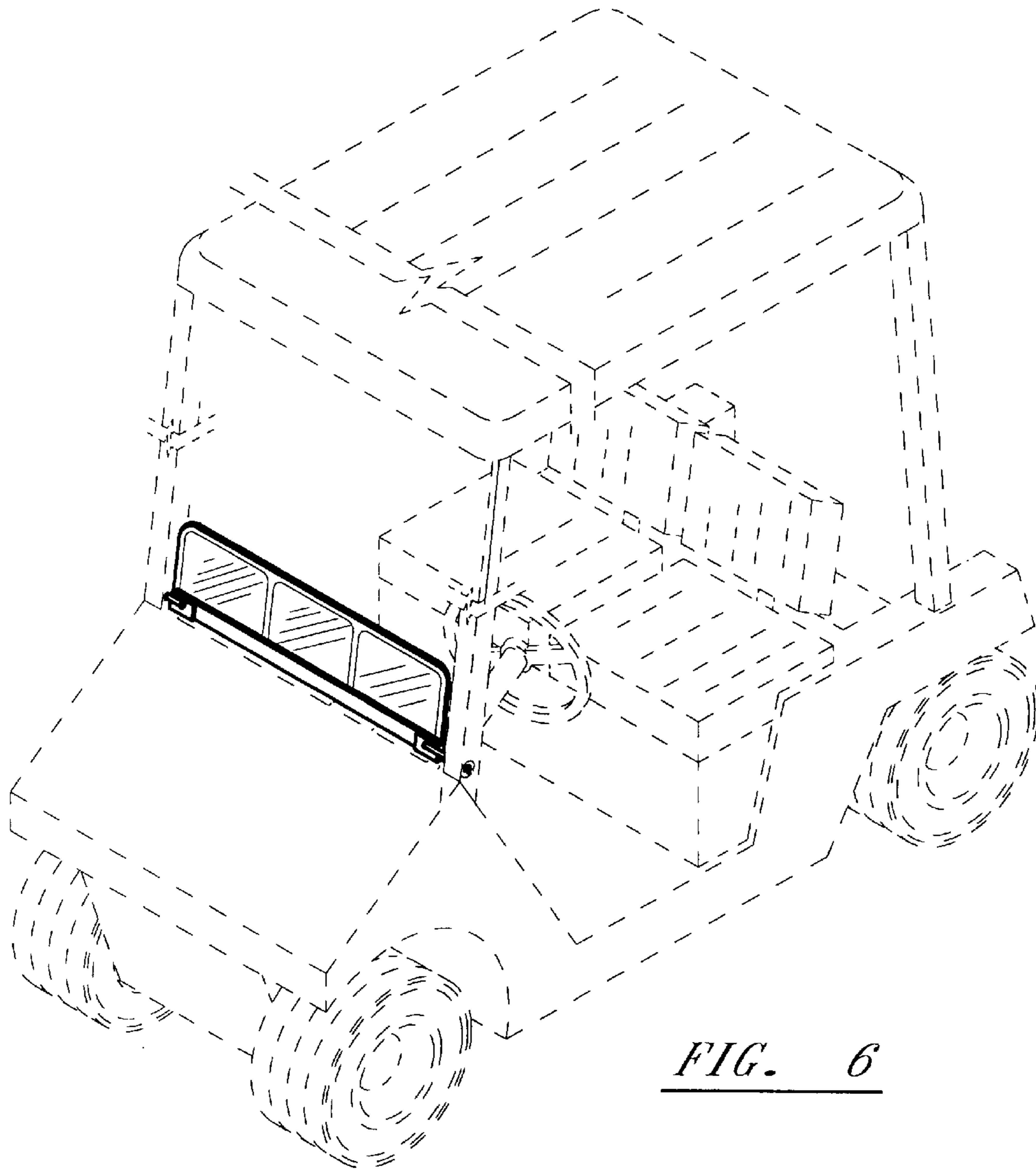


FIG. 6

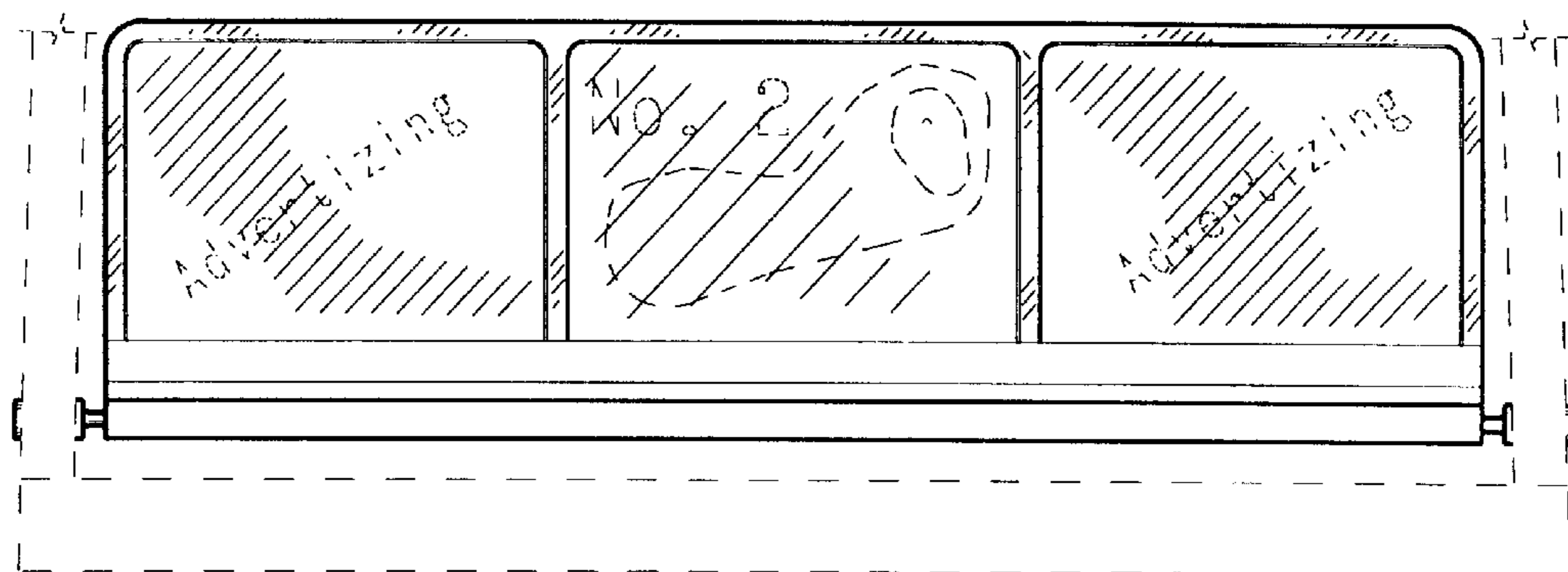


FIG. 7