



US00D413147S

United States Patent [19]

[11] Patent Number: Des. 413,147

Ruff et al.

[45] Date of Patent: ** Aug. 24, 1999

[54] CARD HOLDER

[75] Inventors: **Kenneth A. Ruff**, Libertyville; **Robert A. Nuzzo**, Barrington, both of Ill.

[73] Assignee: **Jim Beam Brands Inc.**, Deerfield, Ill.

[**] Term: **14 Years**

[21] Appl. No.: **29/075,269**

[22] Filed: **Aug. 29, 1997**

Related U.S. Application Data

[63] Continuation-in-part of application No. 08/848,254, Apr. 29, 1997.

[51] LOC (6) Cl. **19-02**

[52] U.S. Cl. **D19/88; D19/90; D19/91; D19/65**

[58] Field of Search D6/300, 419, 420, D6/418; D19/35, 36, 52, 65, 75, 78, 86, 88, 90, 91, 99, 100; 248/441.1, 442.2, 450, 451, 452, 460; 40/349; D8/394-396

[56] References Cited

U.S. PATENT DOCUMENTS

D. 60,275	1/1922	Stone	D19/65
D. 331,076	11/1992	Montgomery	D19/88
D. 343,417	1/1994	Taroski	D19/36
D. 349,130	7/1994	Nigris et al.	D19/90 X
D. 386,686	11/1997	Alico et al.	D19/88 X
620,211	2/1899	Aikin	.	
1,008,509	11/1911	Wilson	.	
1,037,292	9/1912	Morden	.	
1,109,035	9/1914	Buie	.	
1,148,742	8/1915	Bernstein	.	
1,452,861	4/1923	Wilburger	.	
2,014,267	9/1935	Sherman	129/16
2,091,260	8/1937	Farkas et al.	40/158
2,229,012	1/1941	Geyzer	281/33
2,380,780	7/1945	Novak	281/33
2,582,953	1/1952	Bender	129/1
3,090,143	5/1963	Arnold	40/119
3,599,925	8/1971	Dubler	248/452
4,150,807	4/1979	Mamso	248/452
4,178,710	12/1979	Schmid	40/530

4,213,520	7/1980	Sarna et al.	190/16
4,239,410	12/1980	Pianta	402/20
4,365,434	12/1982	Doyel	40/530
4,429,901	2/1984	Clery, Jr. et al.	282/29 B
4,511,274	4/1985	Chen	402/21
4,544,123	10/1985	Peacock	248/460
4,709,895	12/1987	Mardak	248/460
4,867,594	9/1989	Poulouin	402/70
4,925,143	5/1990	Sandmeyer	248/441.1
5,005,796	4/1991	Downie	248/451
5,451,025	9/1995	Hames	248/456
5,535,976	7/1996	Gruneisen, III	248/452
5,829,176	11/1998	Gruneisen, III	248/452 X
5,855,351	1/1999	Cziraky et al.	248/460 X

FOREIGN PATENT DOCUMENTS

287 164	3/1953	Switzerland	248/452
---------	--------	-------------	-------	---------

Primary Examiner—Martie K. Holtje
Attorney, Agent, or Firm—Pennie & Edmonds LLP

[57] CLAIM

The ornamental design for a card holder, as shown and described.

DESCRIPTION

FIG. 1 is a perspective view of a card holder showing my new design;
 FIG. 2 is a front view thereof;
 FIG. 3 is a rear view thereof;
 FIG. 4 is a left side view thereof;
 FIG. 5 is a right side view thereof;
 FIG. 6 is a cross-sectional view thereof through section 6—6 of FIG. 5;
 FIG. 7 is a top view thereof;
 FIG. 8 is a bottom view thereof;
 FIG. 9 is a perspective view of the base of the card holder shown with the clamp removed for convenience of illustration;
 FIG. 10 is a front view of FIG. 9;
 FIG. 11 is a rear view of FIG. 9;
 FIG. 12 is a top view of FIG. 9;
 FIG. 13 is a perspective view of the clamp member shown separately for convenience of illustration;
 FIG. 14 is a front view of FIG. 13;
 FIG. 15 is a rear view of FIG. 13;

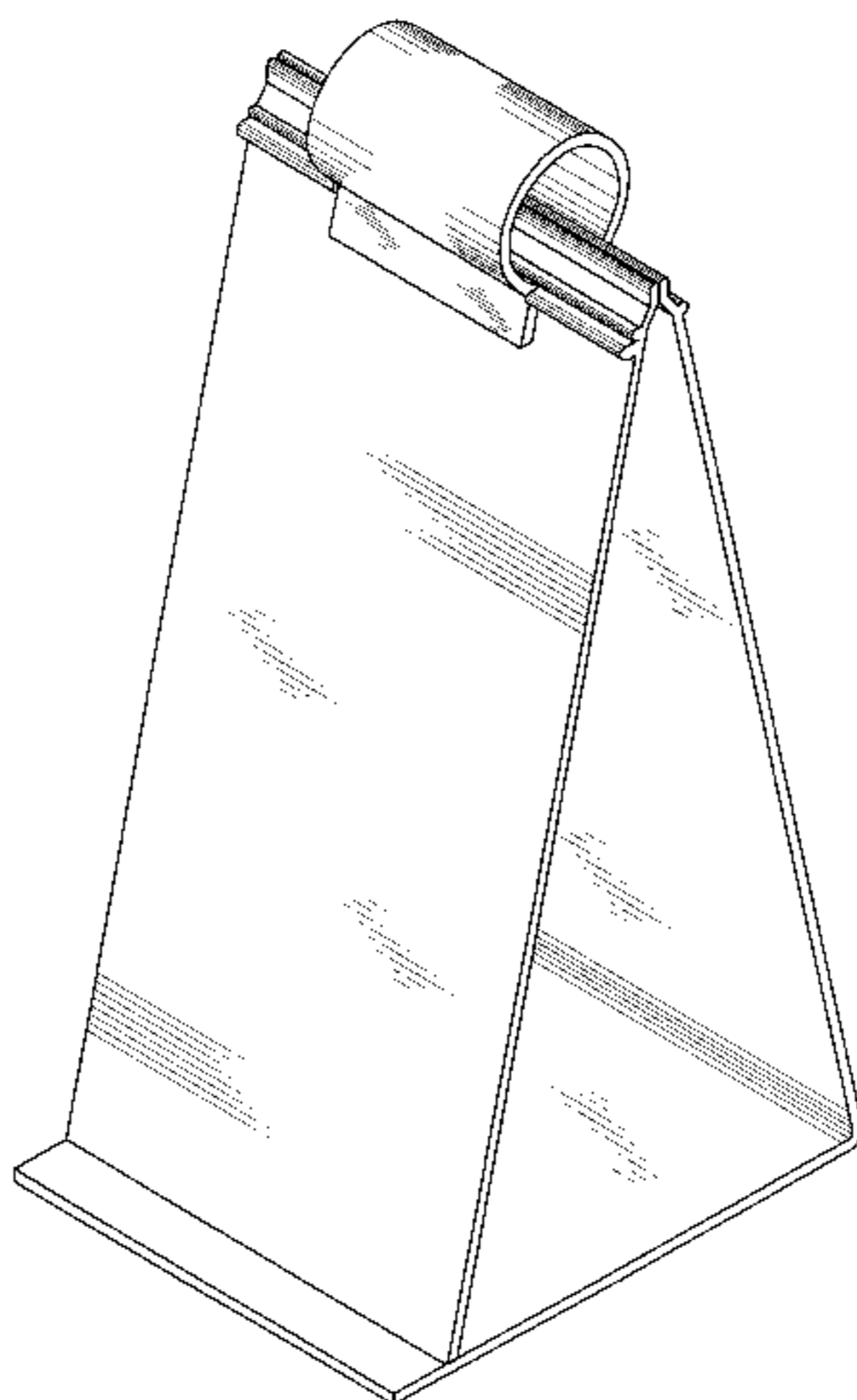


FIG. 16 is a top view of FIG. 13;
FIG. 17 is a left side view of FIG. 13;
FIG. 18 is a right side view of FIG. 13; and,

FIG. 19 is a bottom plan view of FIG. 13.

1 Claim, 13 Drawing Sheets

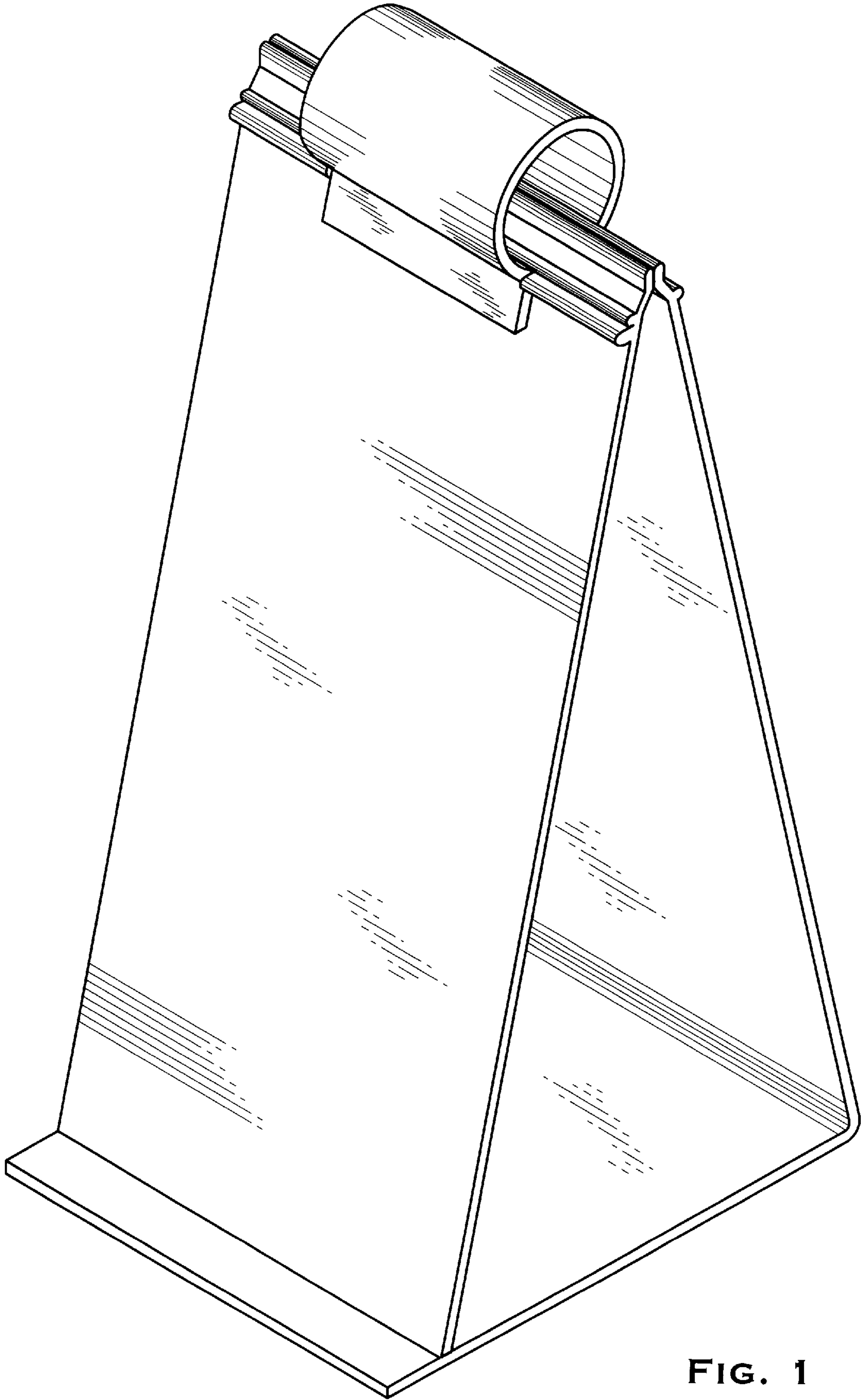


FIG. 1

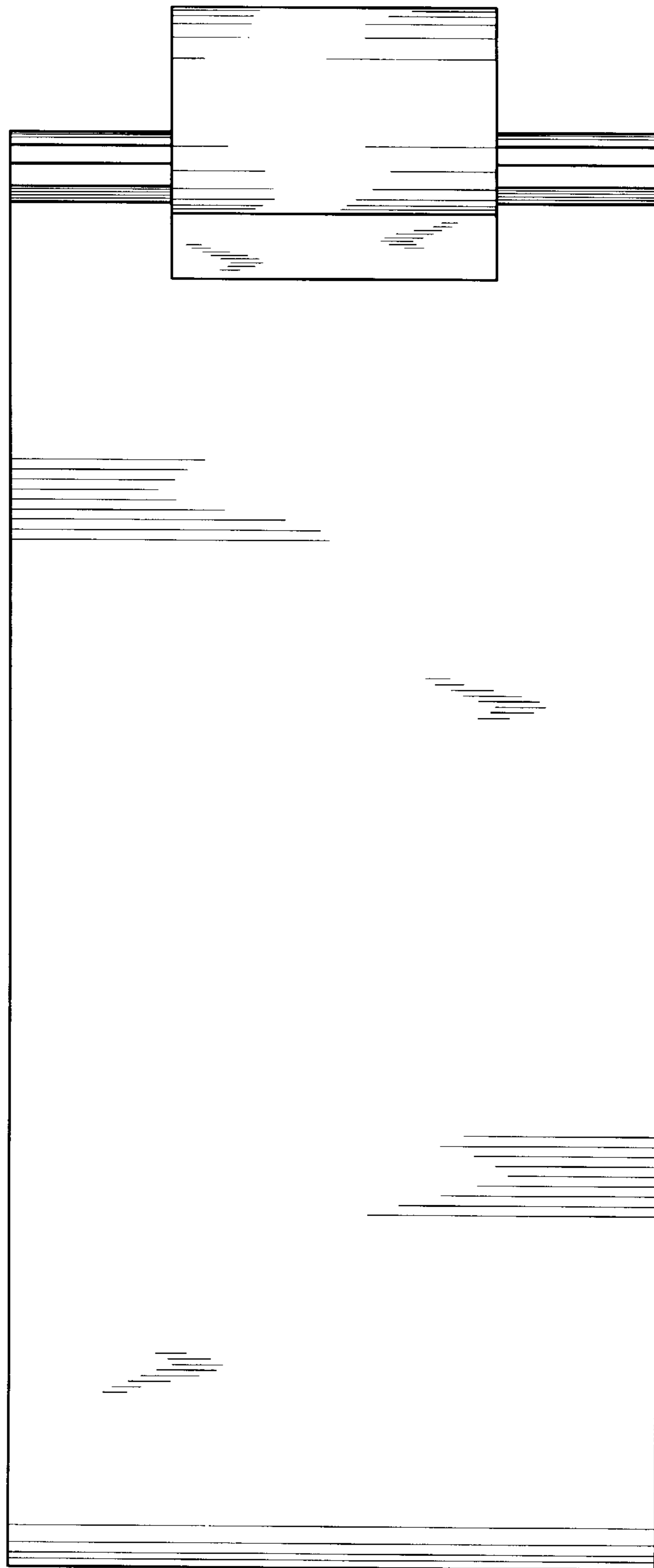


FIG. 2

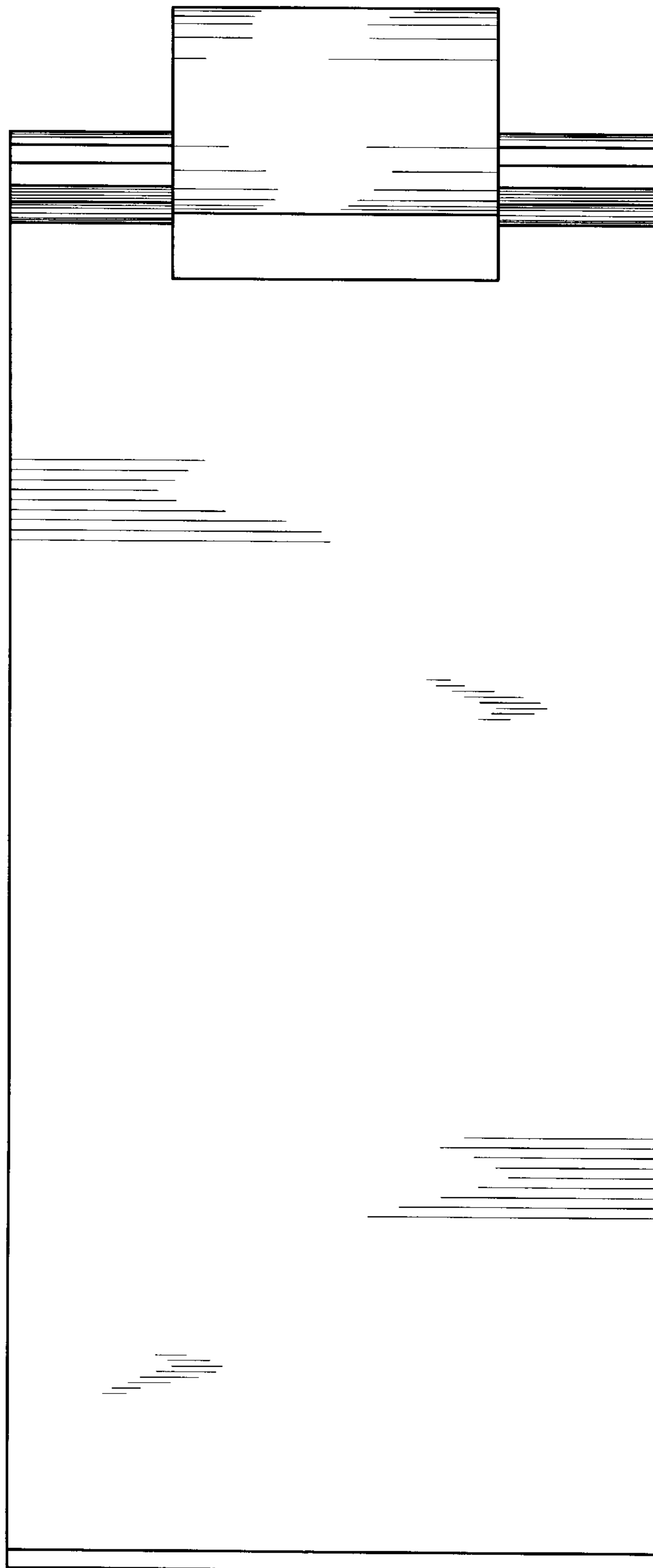


FIG. 3

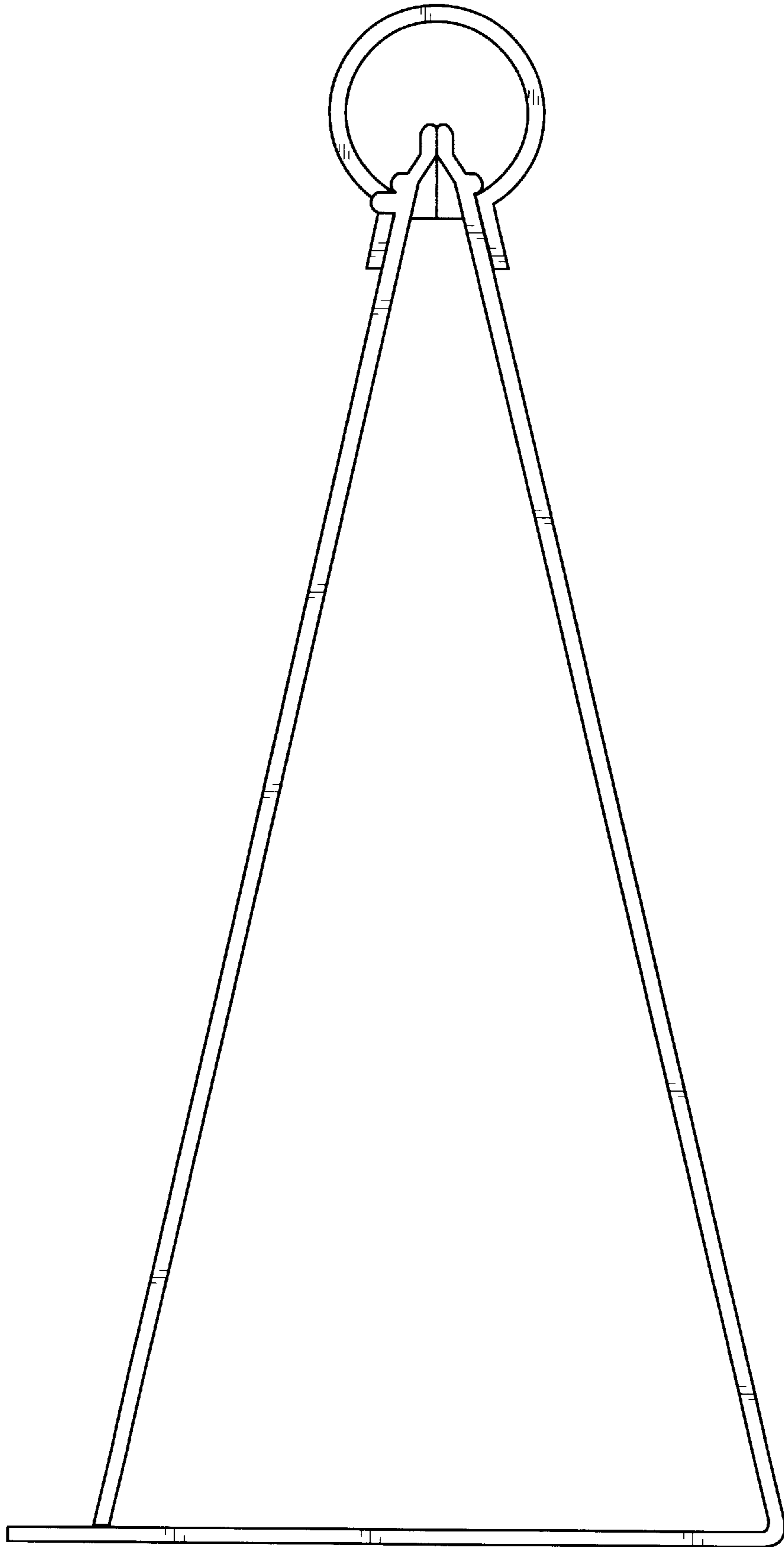


FIG. 4

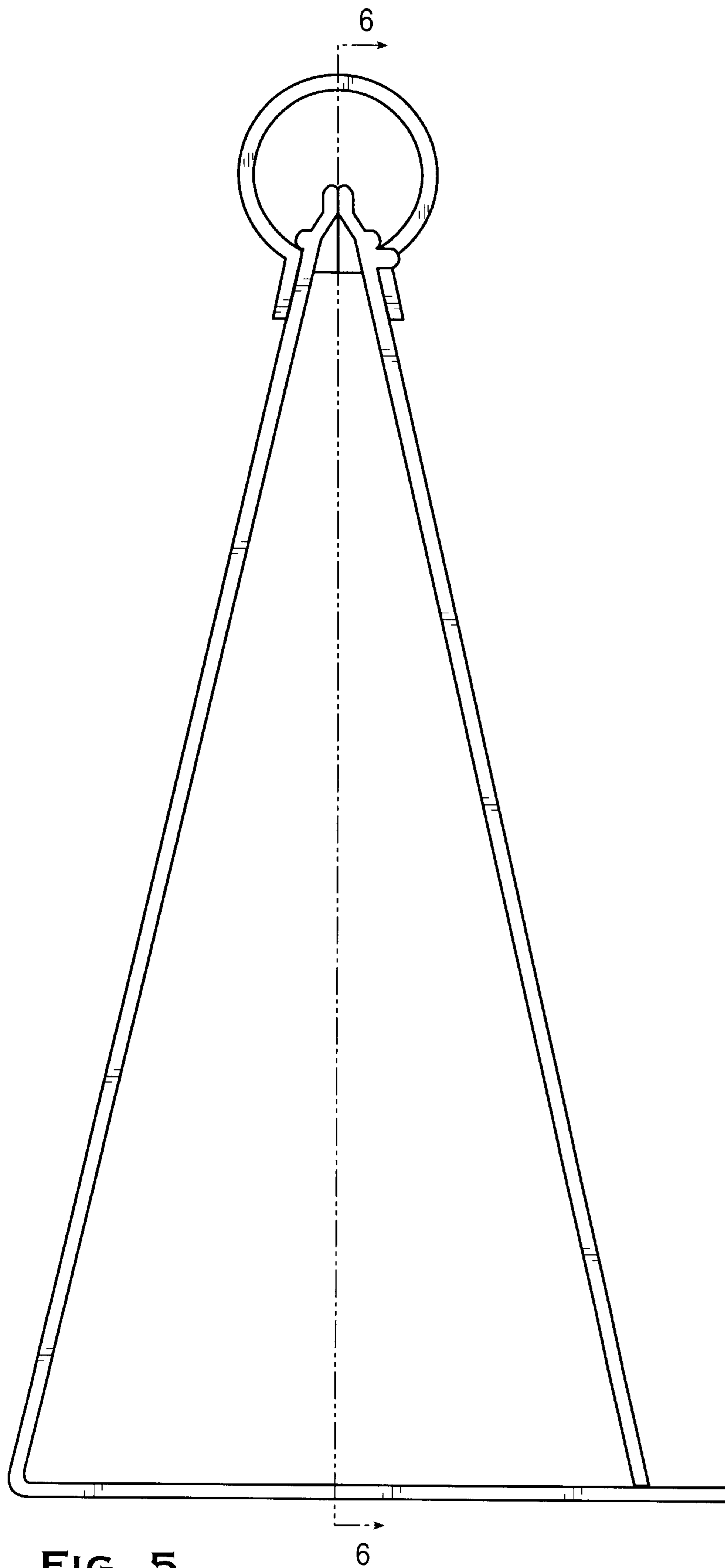


FIG. 5

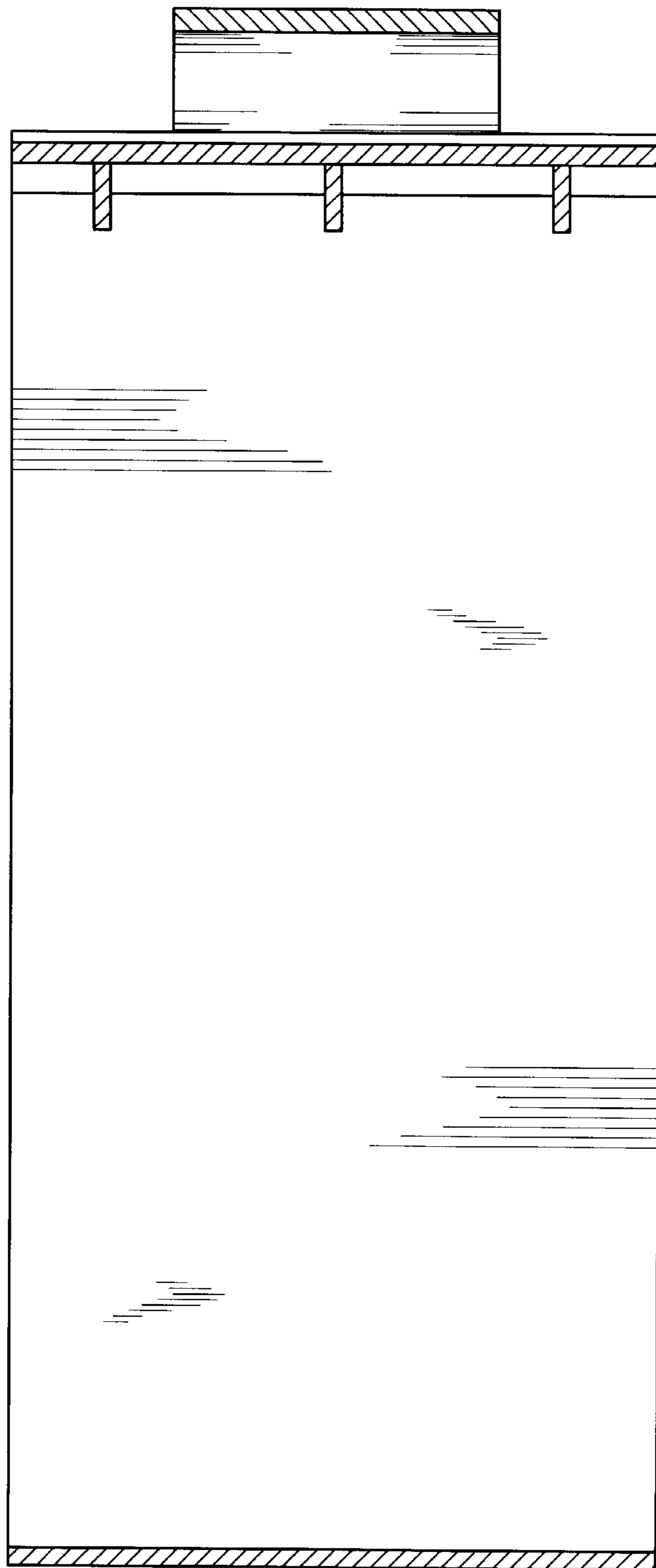


FIG. 6

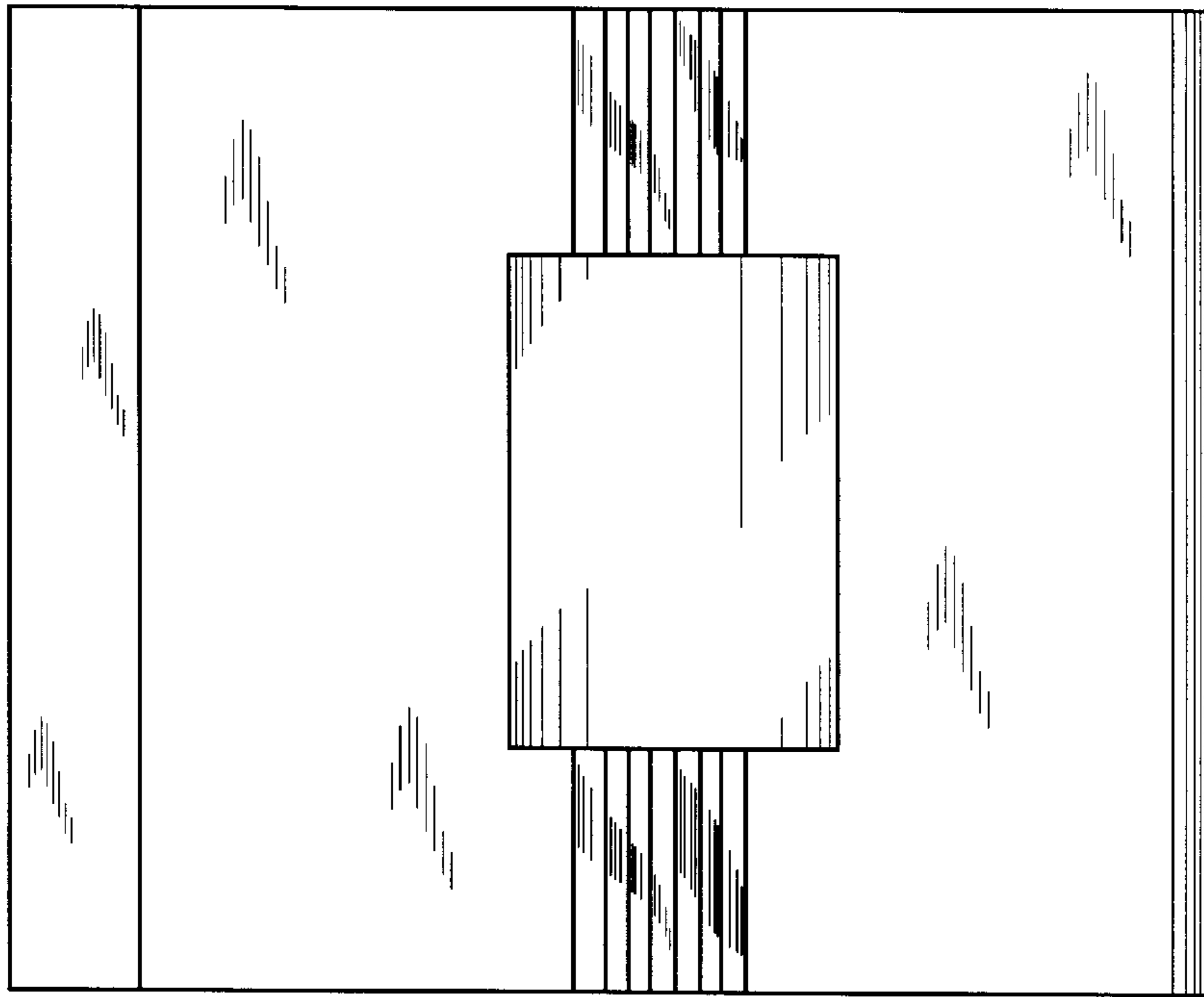


FIG. 7

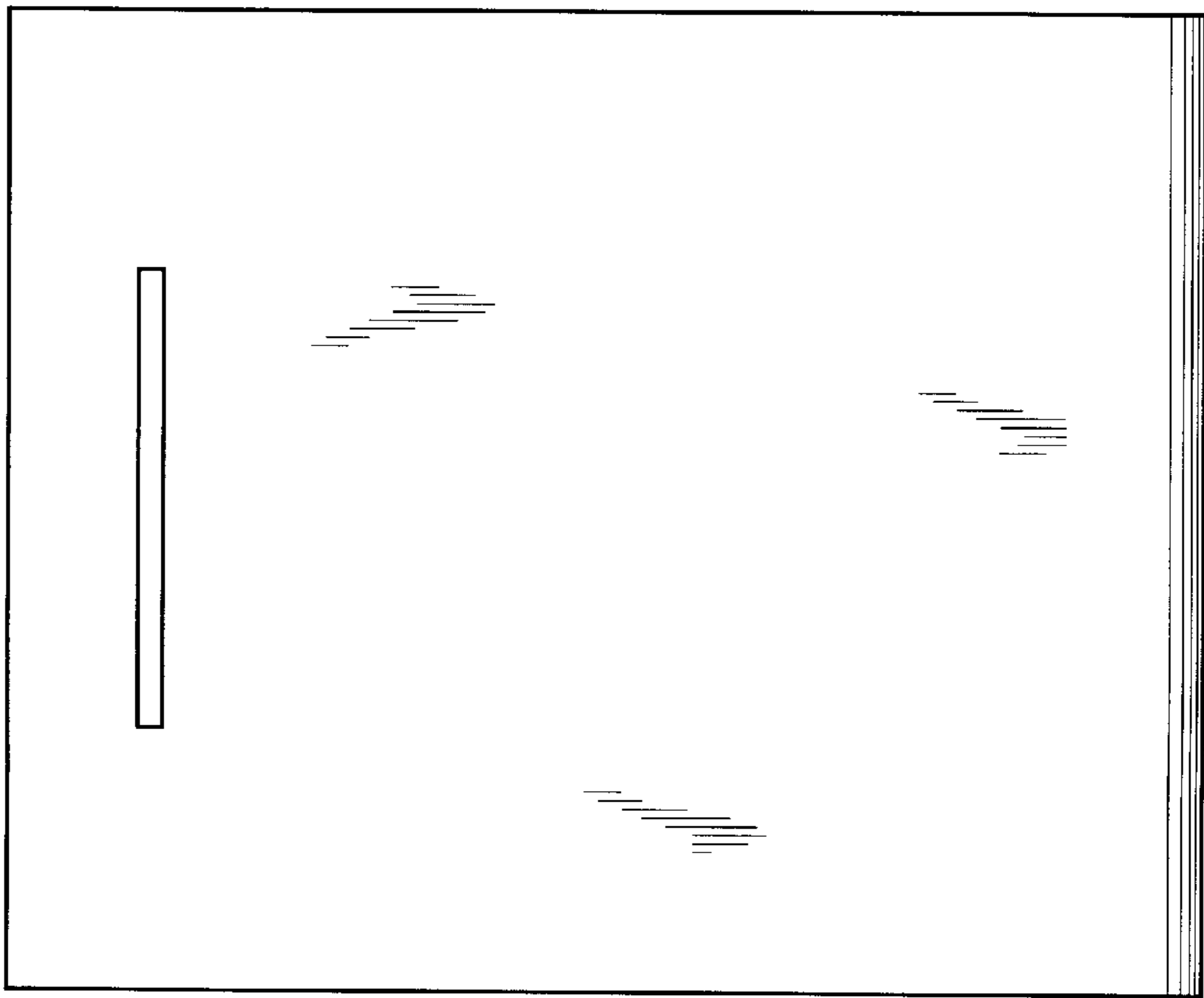


FIG. 8

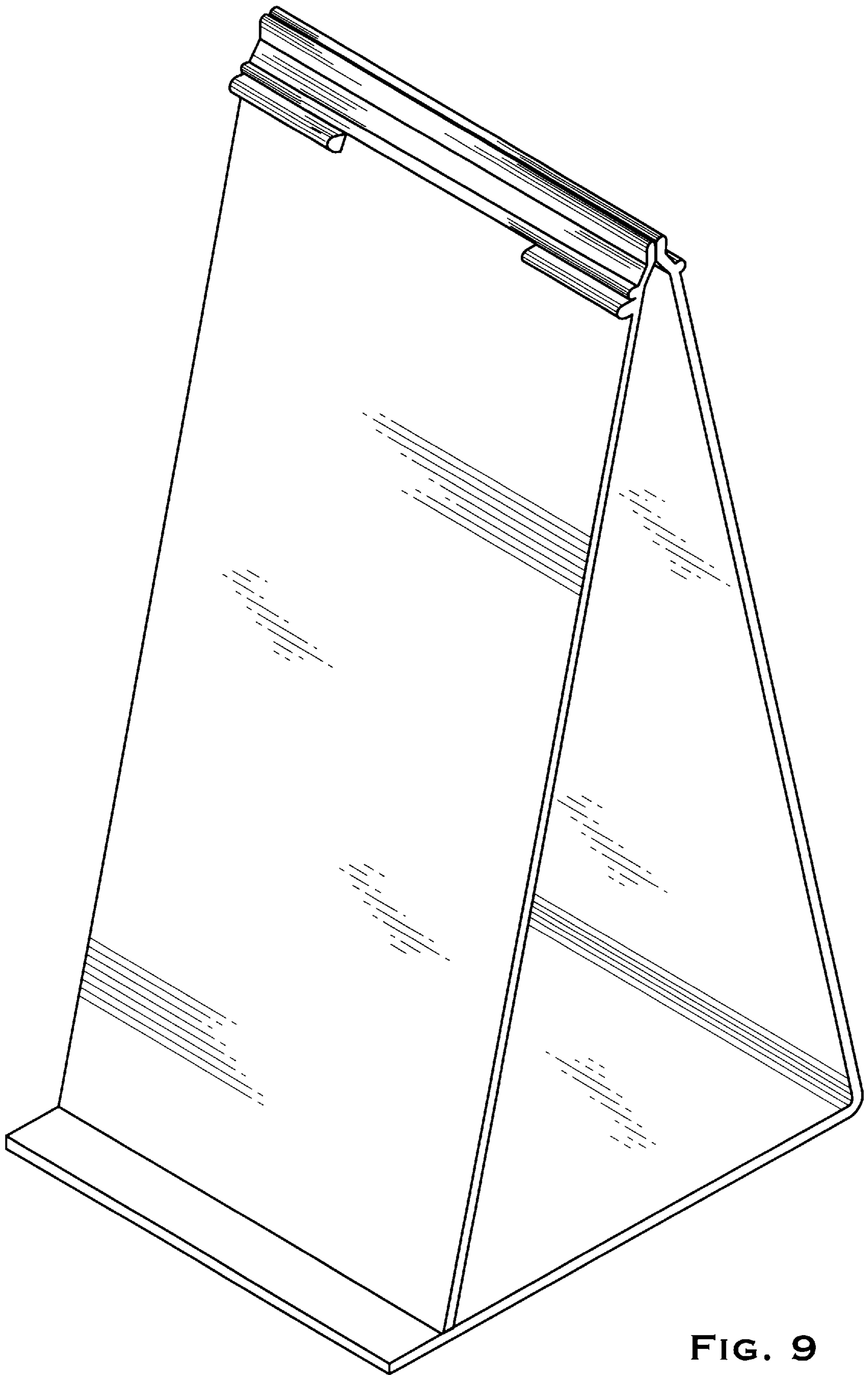


FIG. 9

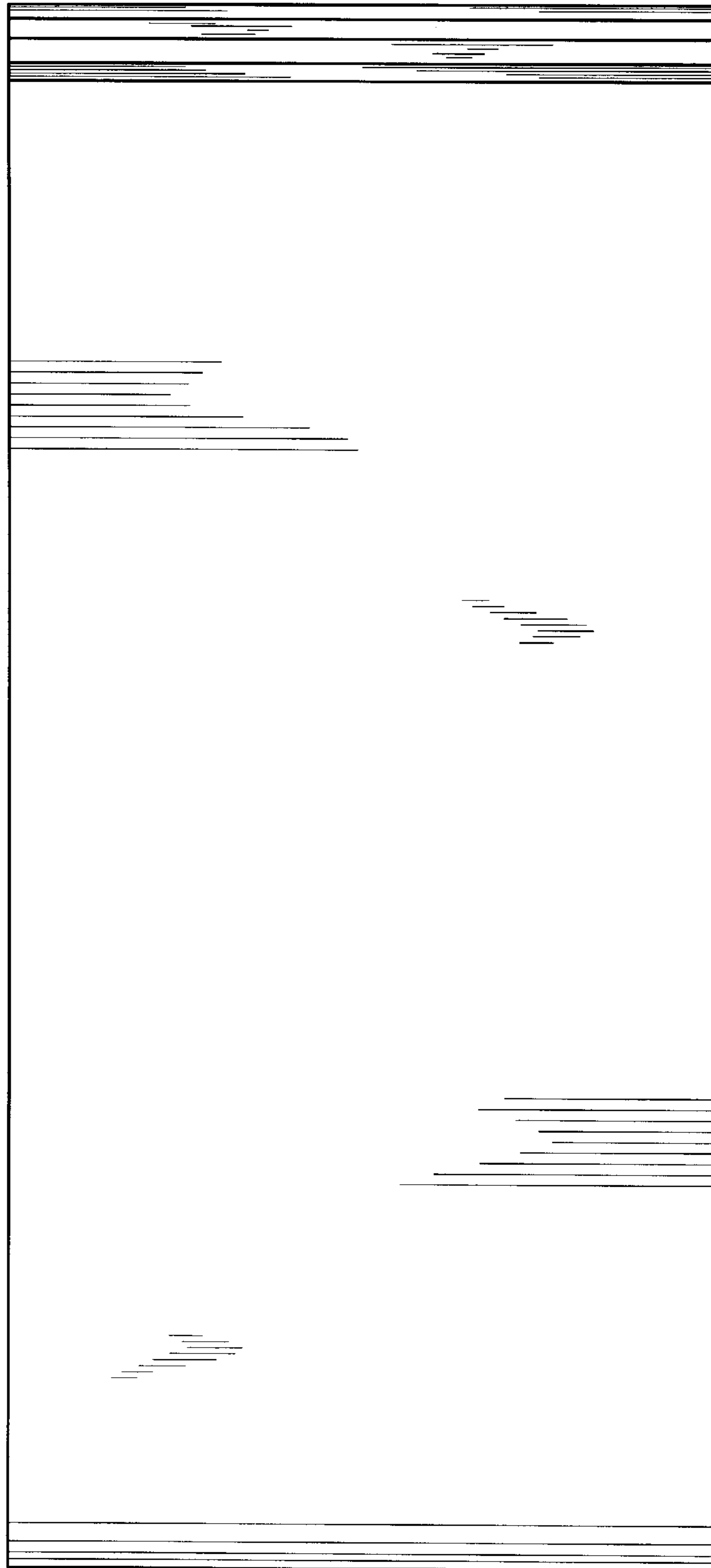


FIG. 10

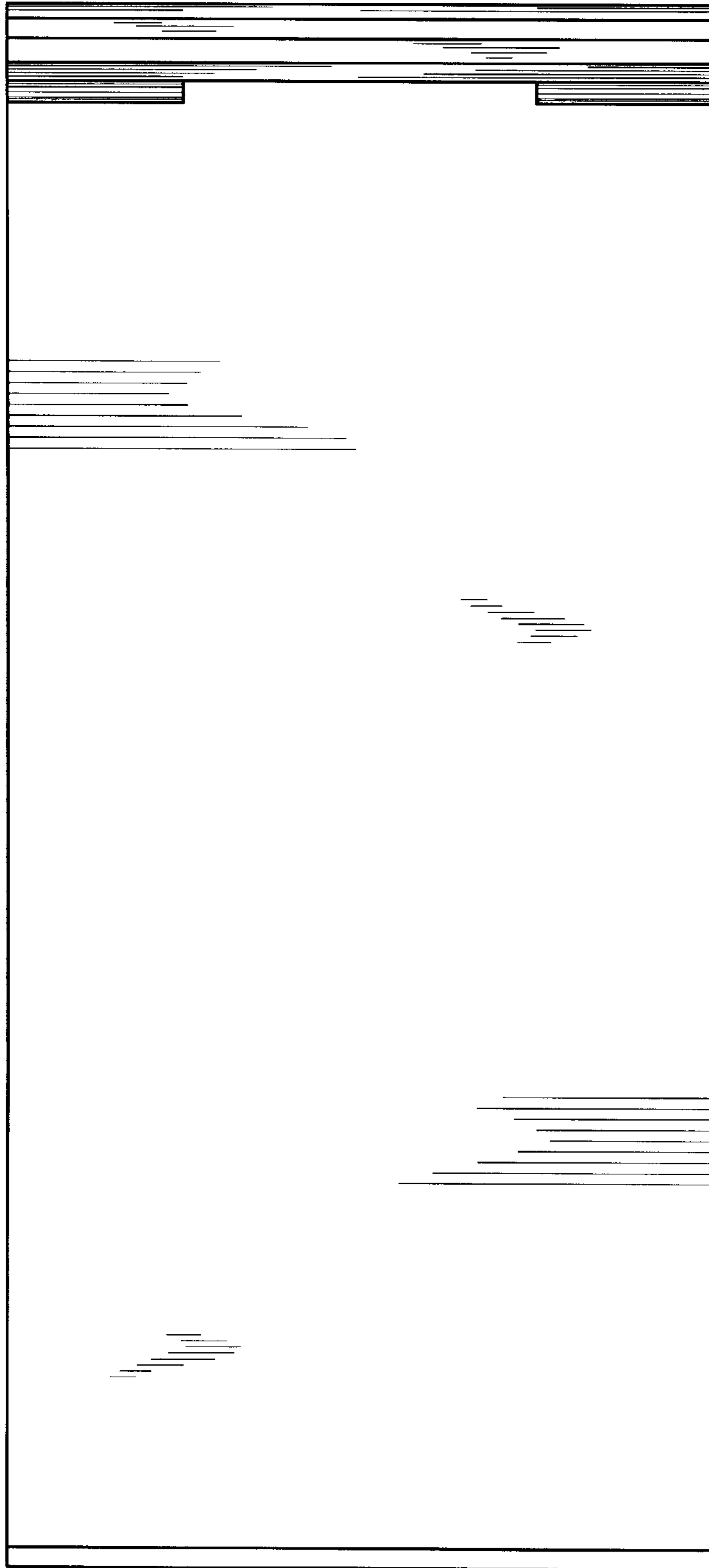


FIG. 11

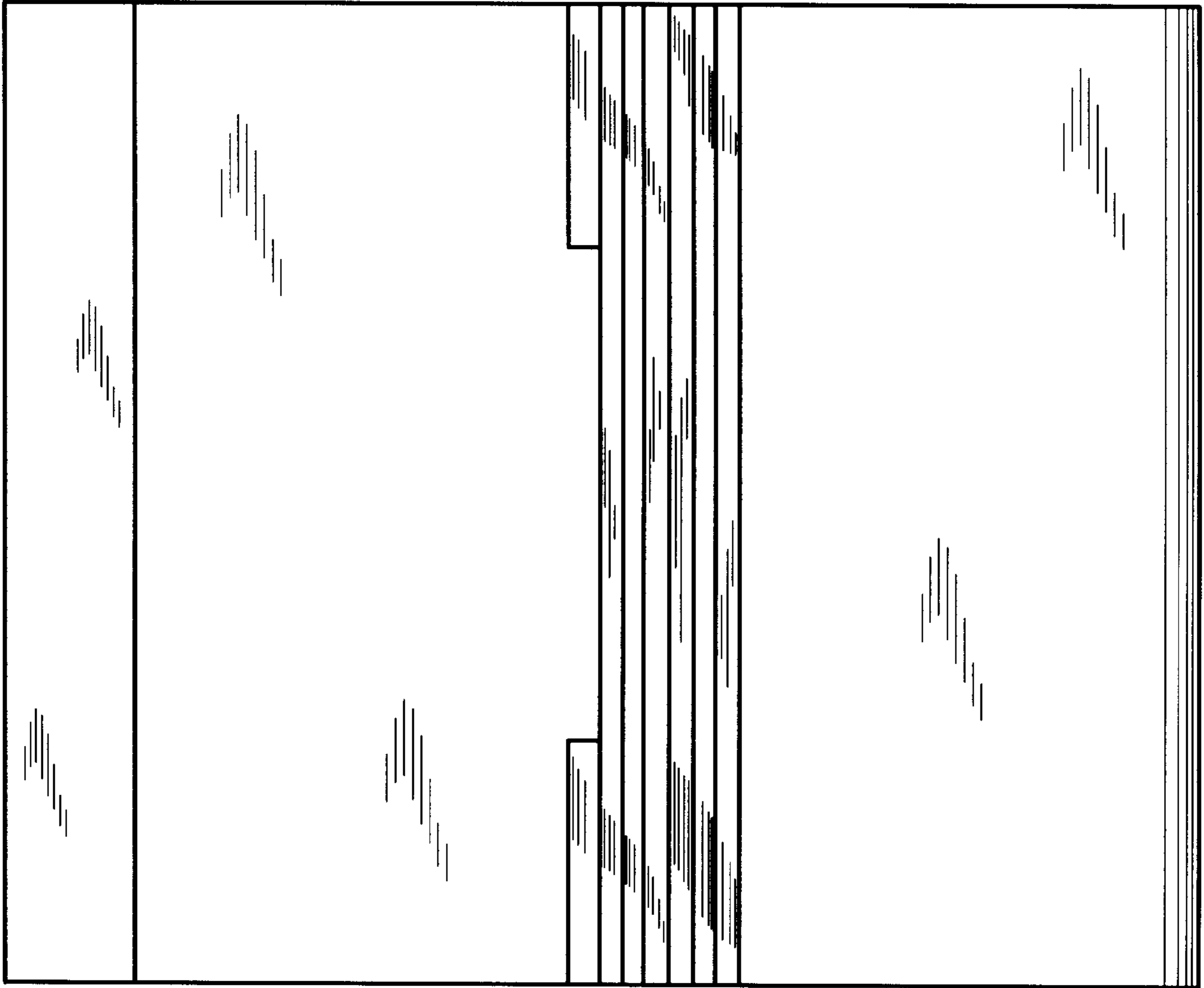


FIG. 12

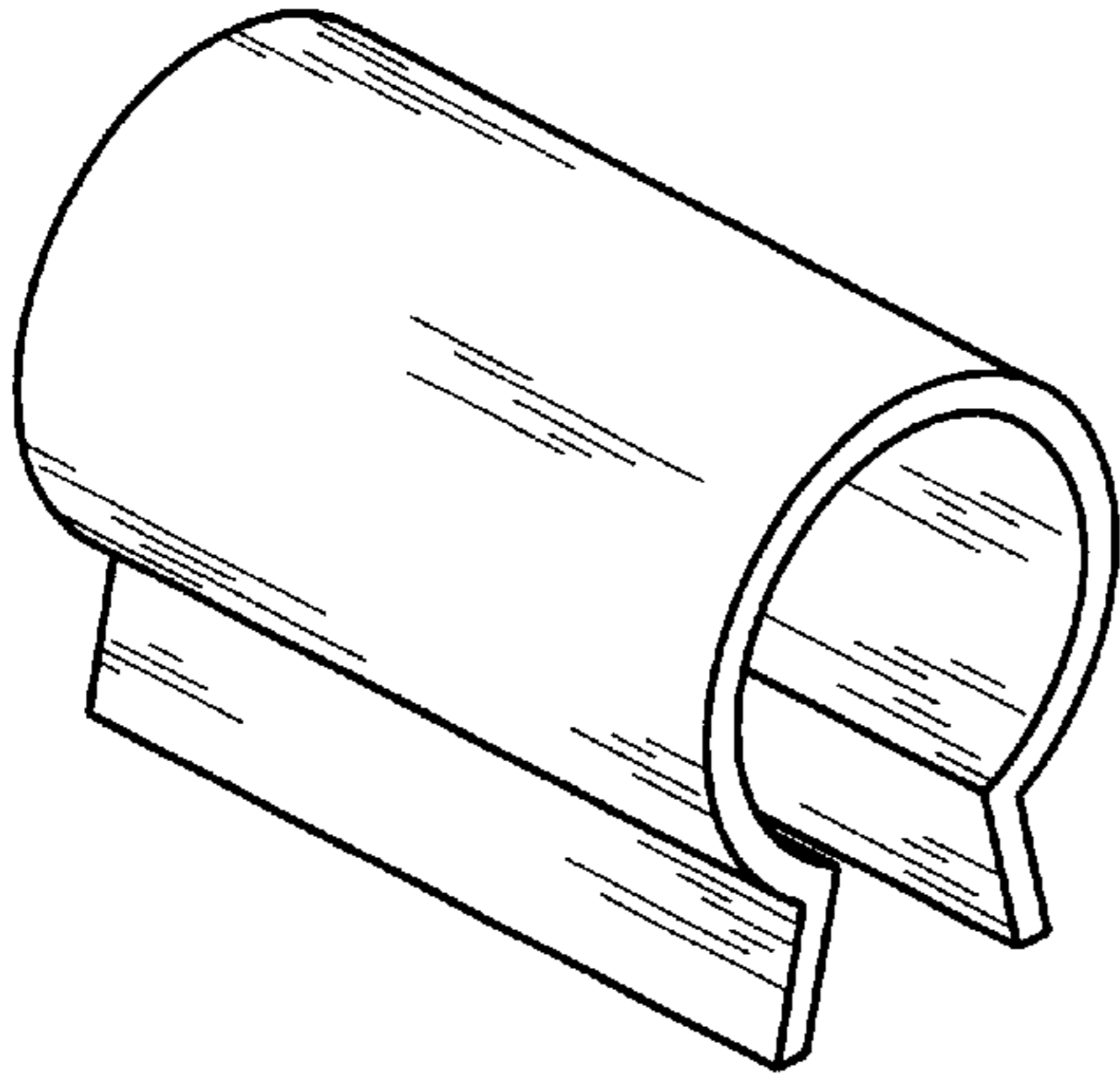


FIG. 13

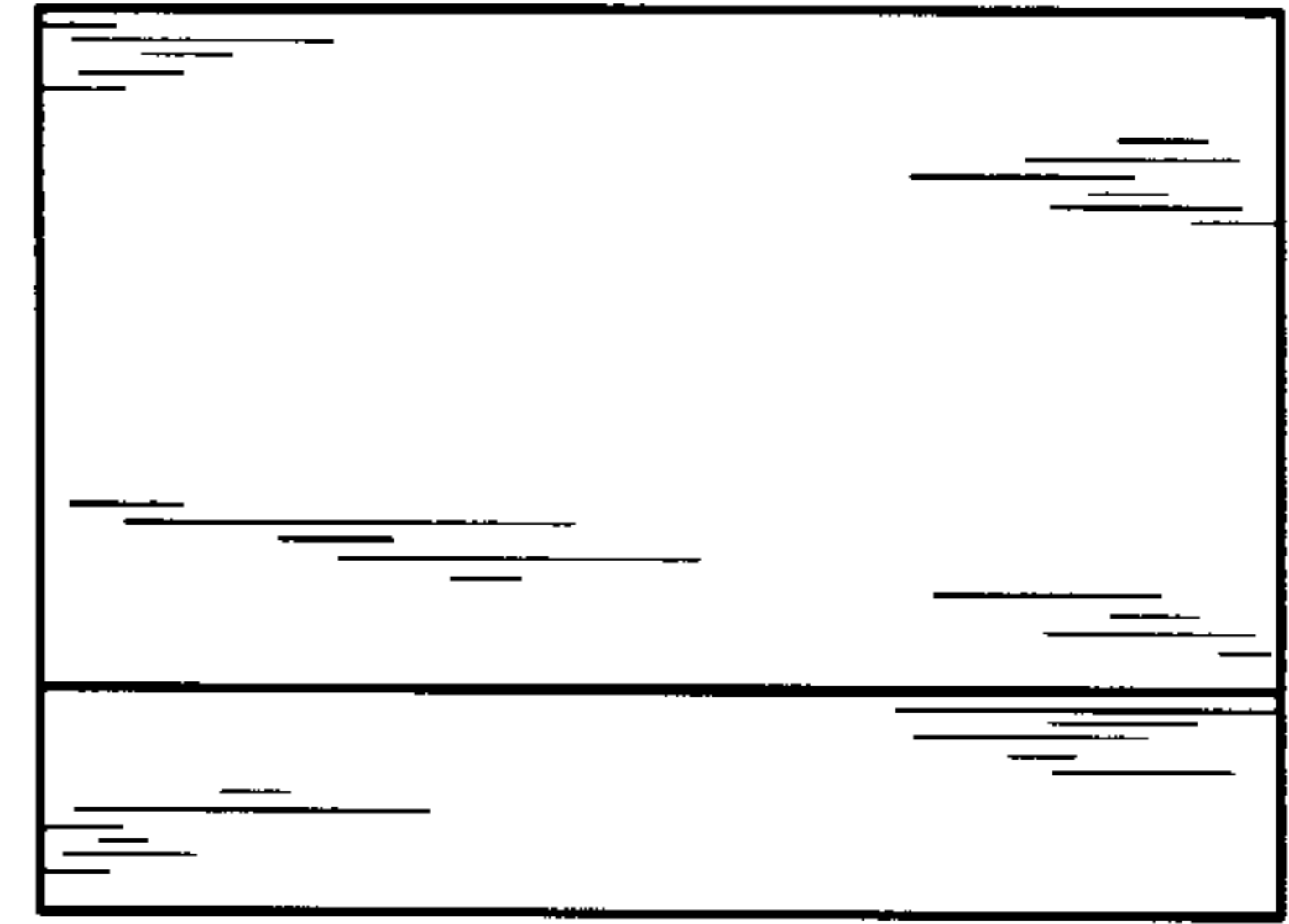


FIG. 14

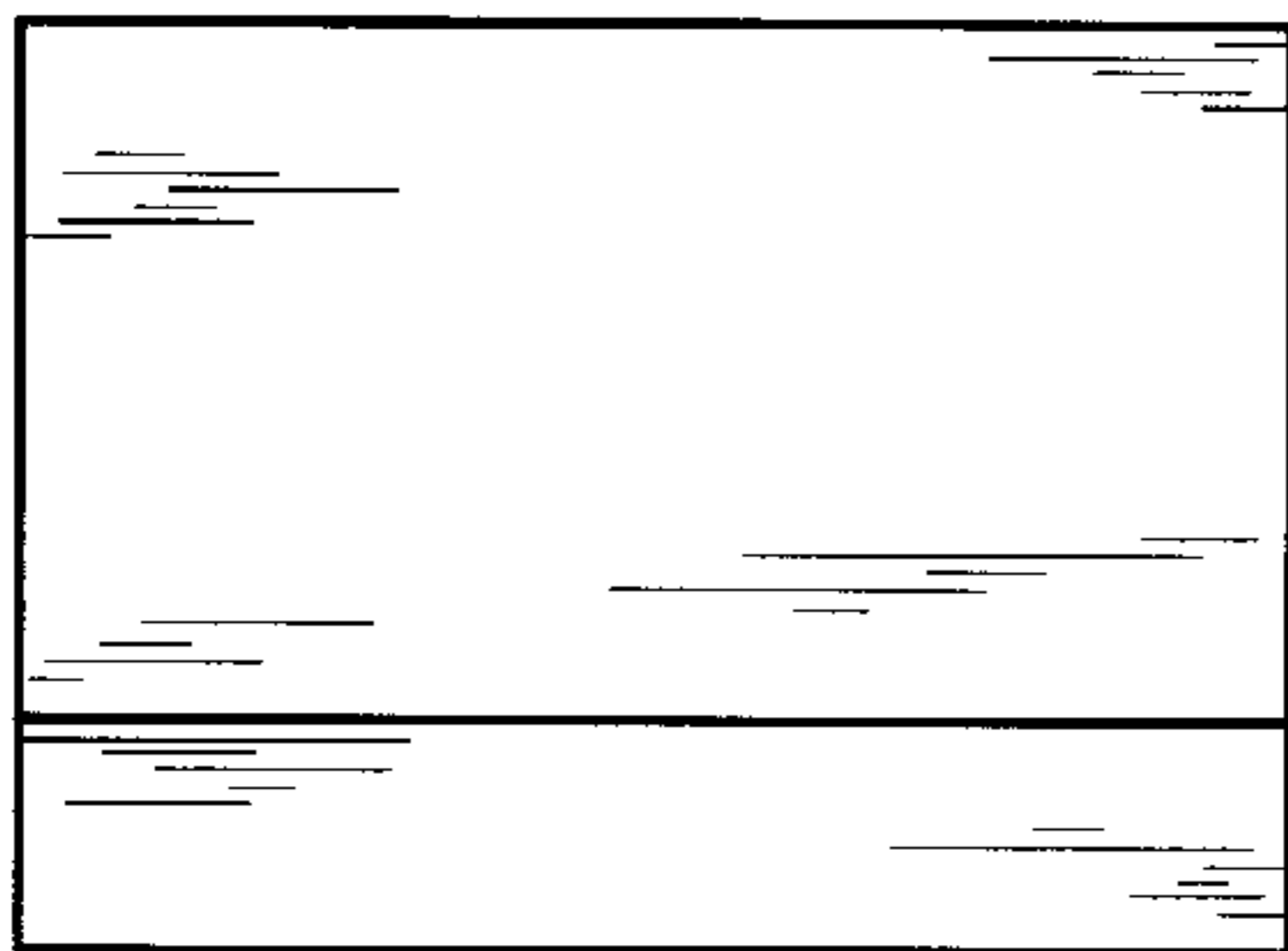


FIG. 15

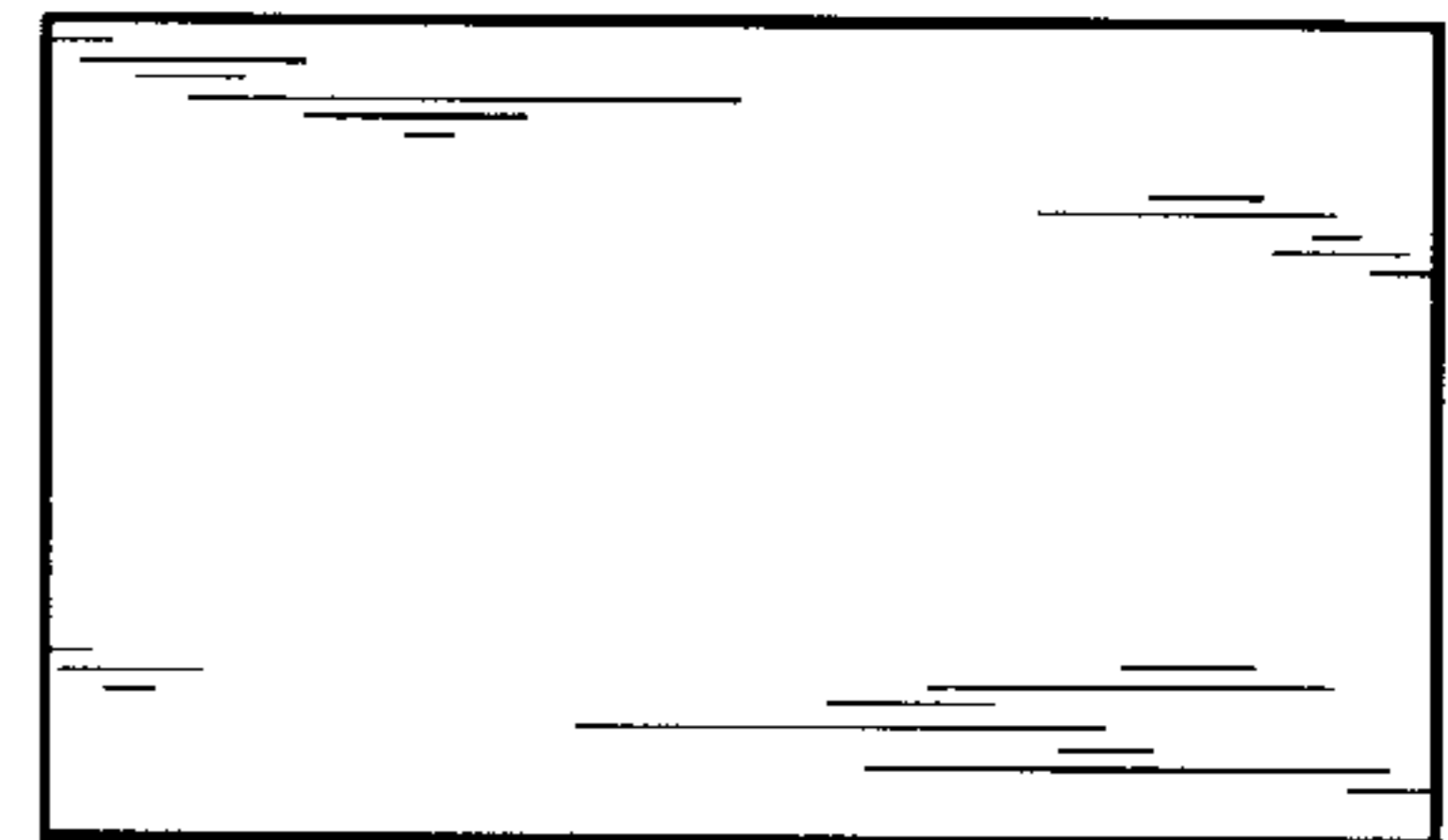


FIG. 16

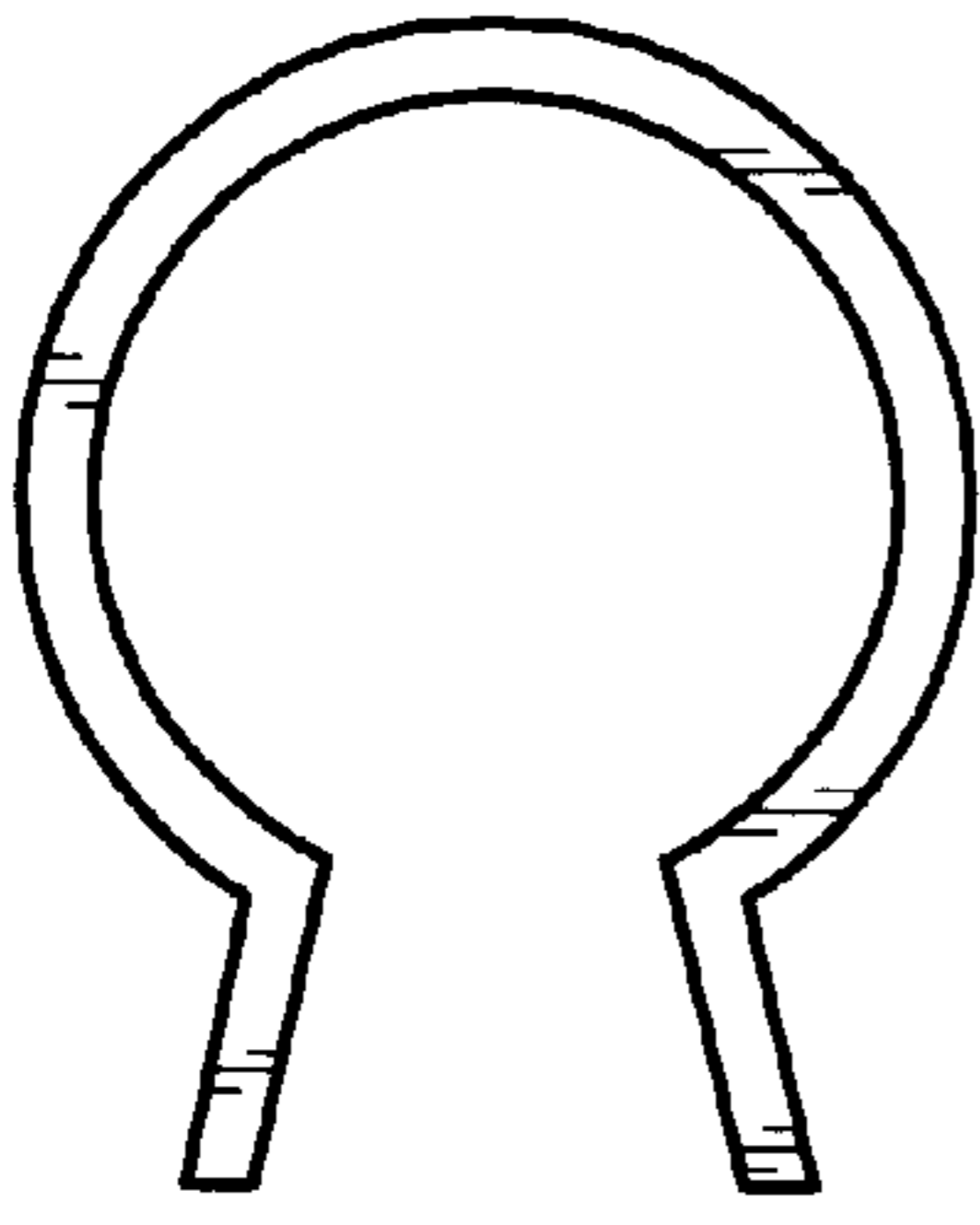


FIG. 17

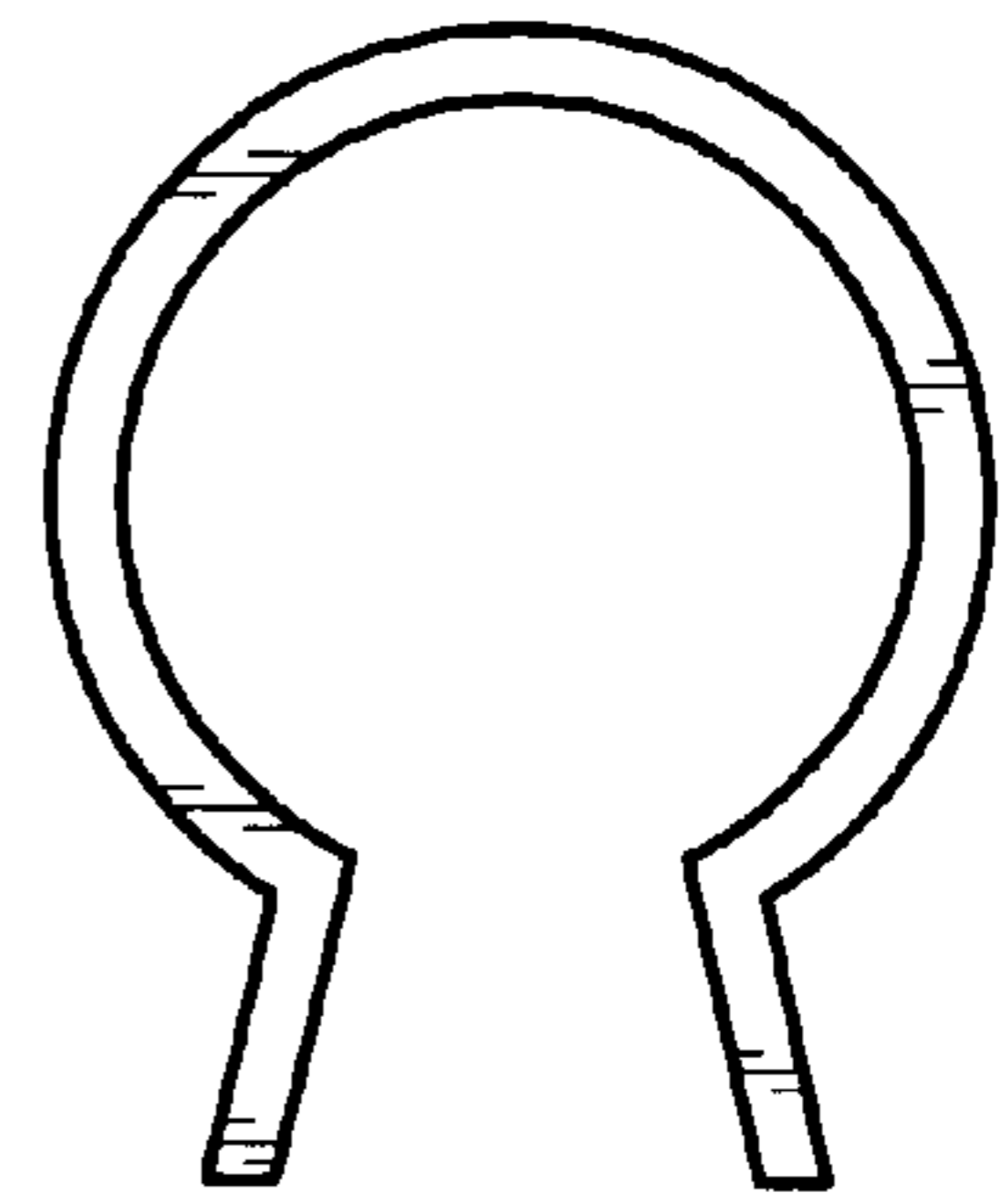


FIG. 18

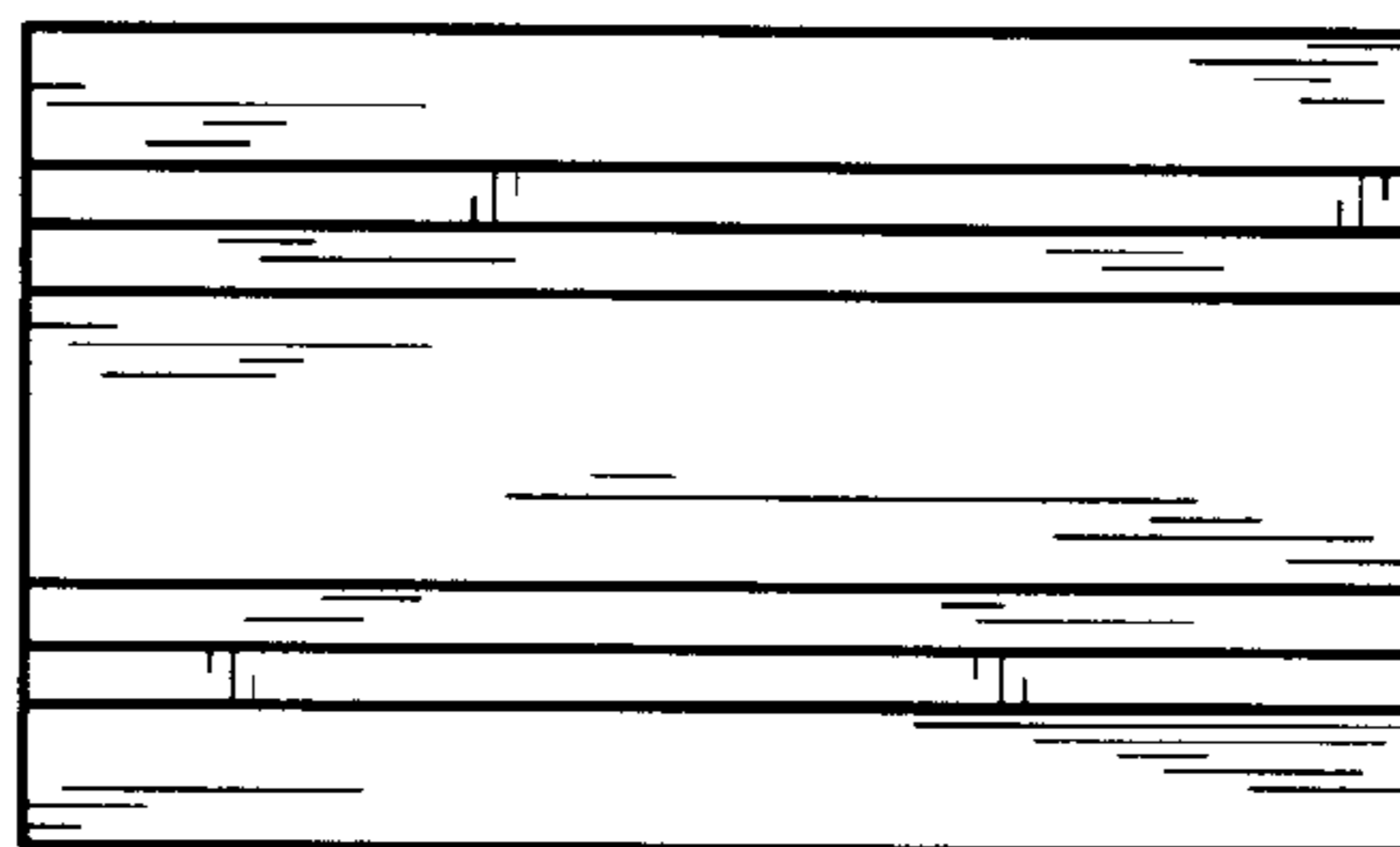


FIG. 19