



US00D413146S

# United States Patent [19] Moore

[11] Patent Number: Des. 413,146

[45] Date of Patent: \*\* Aug. 24, 1999

[54] CHALKBOARD TRAY

[75] Inventor: Gregory C. Moore, Belton, Tex.

[73] Assignee: Best-Rite Manufacturing, Temple, Tex.

[\*\*] Term: 14 Years

[21] Appl. No.: 29/078,026

[22] Filed: Oct. 15, 1997

[51] LOC (6) Cl. .... 19-06

[52] U.S. Cl. .... D19/52; D19/83; D19/99

[58] Field of Search ..... D19/35, 36, 52,  
D19/81-85, 99, 100; D6/574; 281/45, 51;  
248/441.1, 452; 434/408, 415, 417, 418,  
421, 430; D20/42, 43

[56] **References Cited**

U.S. PATENT DOCUMENTS

D. 165,038	10/1951	Windhorst	.....	D19/52
D. 353,295	12/1994	Bodine	.....	D6/574
D. 401,279	11/1998	Thorb	.....	D19/52
2,469,347	5/1949	Windhorst	.....	434/417
3,363,341	1/1968	Glassman	.....	434/417

5,176,522	1/1993	Robertson, Jr.	.....	434/415
5,308,034	5/1994	Hunter	.....	248/452
5,397,091	3/1995	Tsuar	.....	248/441.1

Primary Examiner—Martie K. Holtje  
Attorney, Agent, or Firm—Wendy K. Buskop; Bayko  
Gibson et al

[57] **CLAIM**

I claim the ornamental design for a chalkboard tray, as shown and described.

**DESCRIPTION**

FIG. 1 is a top, left front perspective view of a chalkboard tray showing my new design, the fragmentary portion of a chalkboard being depicted by means of broken lines for illustrative purposes only and forming no part of the claimed design;

FIG. 2 is a top plan view;

FIG. 3 is a bottom plan view;

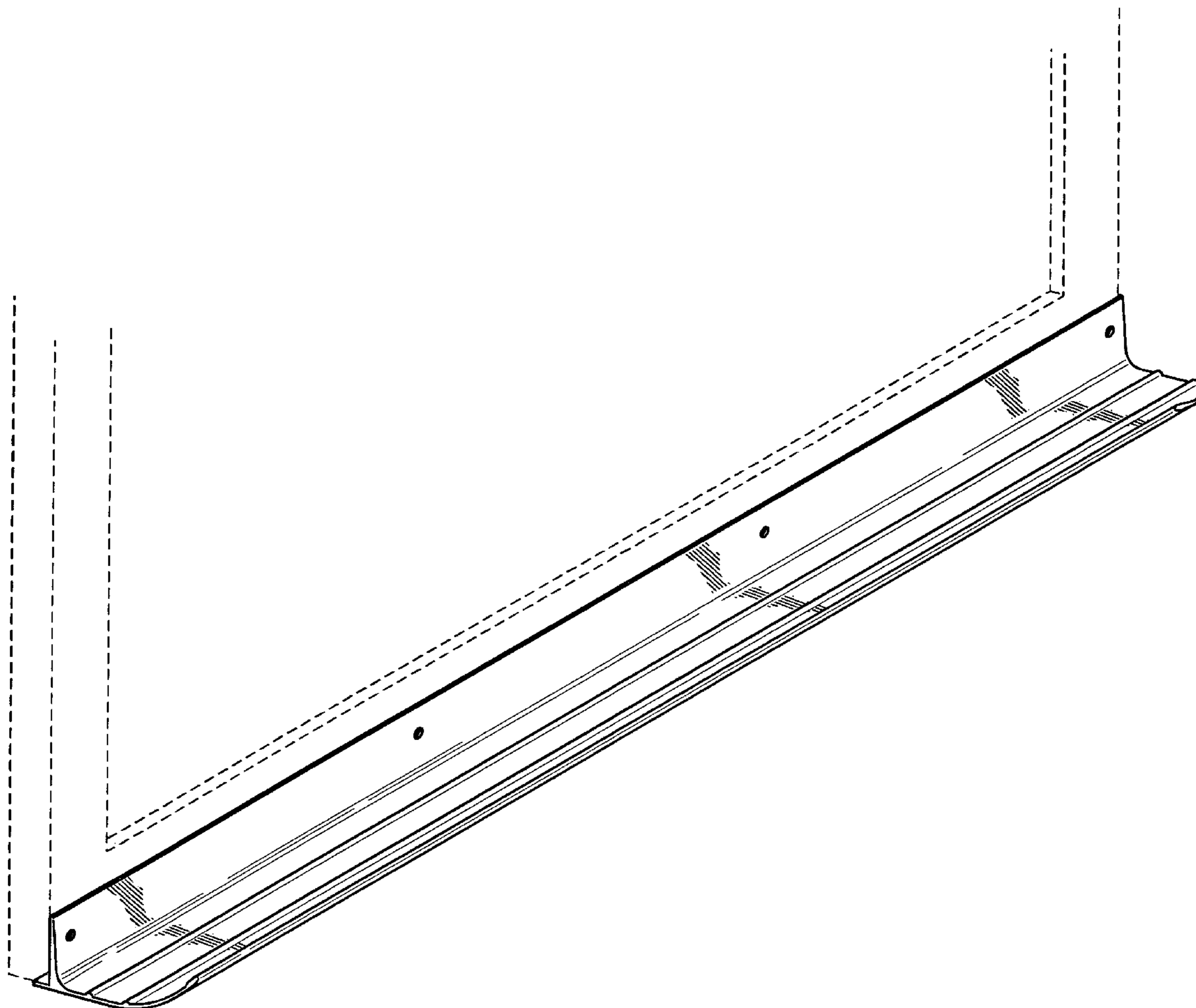
FIG. 4 is a rear elevational view;

FIG. 5 is a left side elevational view;

FIG. 6 is a right side elevational view; and,

FIG. 7 is a front elevational view thereof.

1 Claim, 3 Drawing Sheets



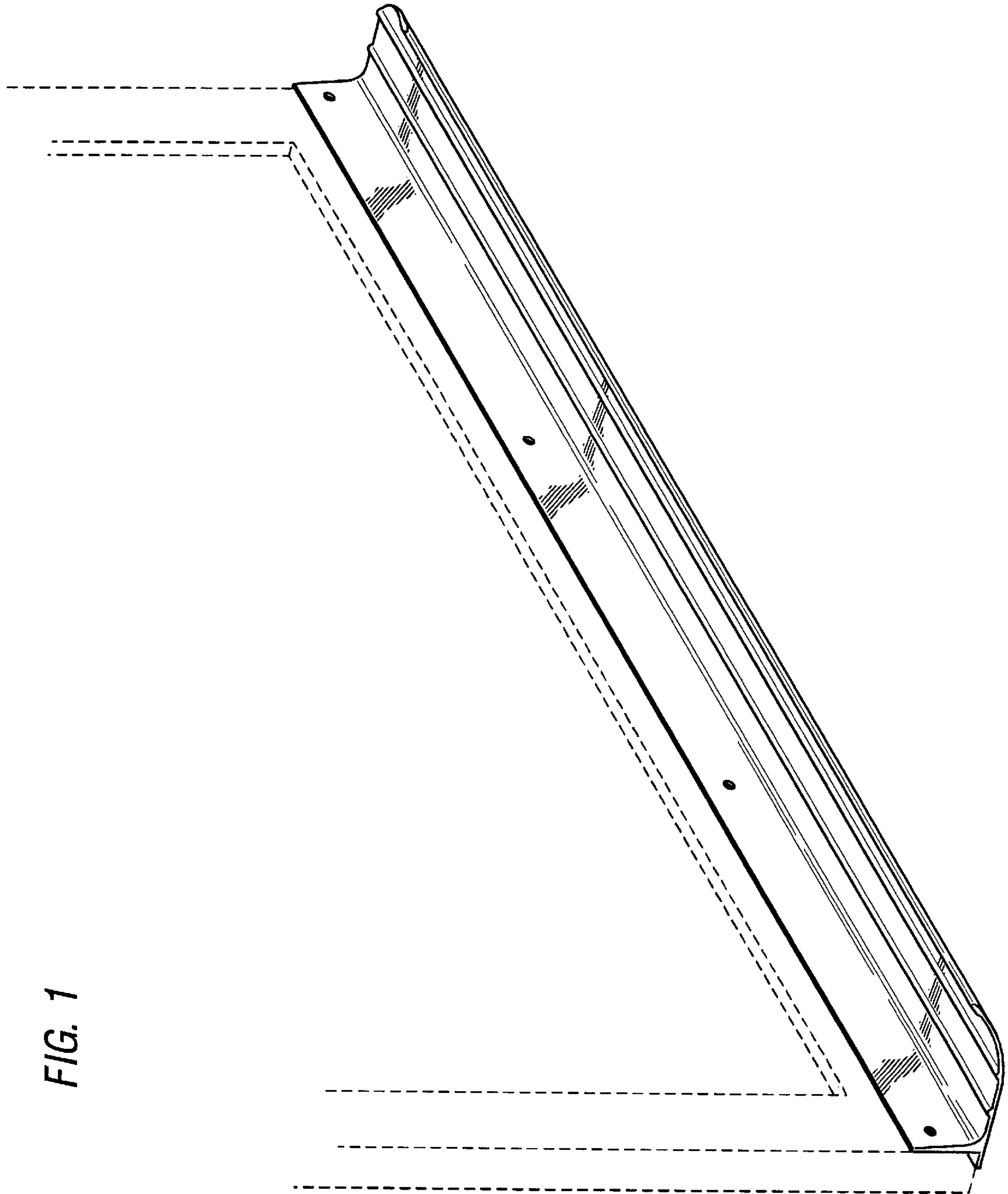


FIG. 1

FIG. 2



FIG. 3

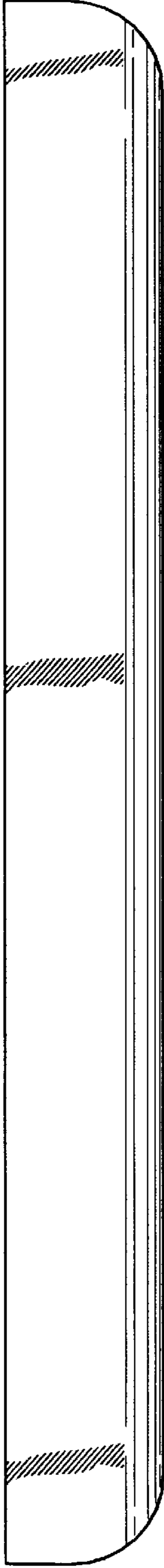


FIG. 4

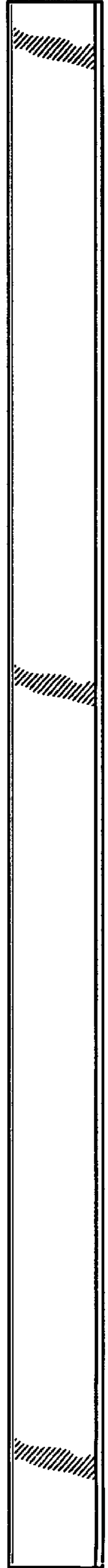


FIG. 5

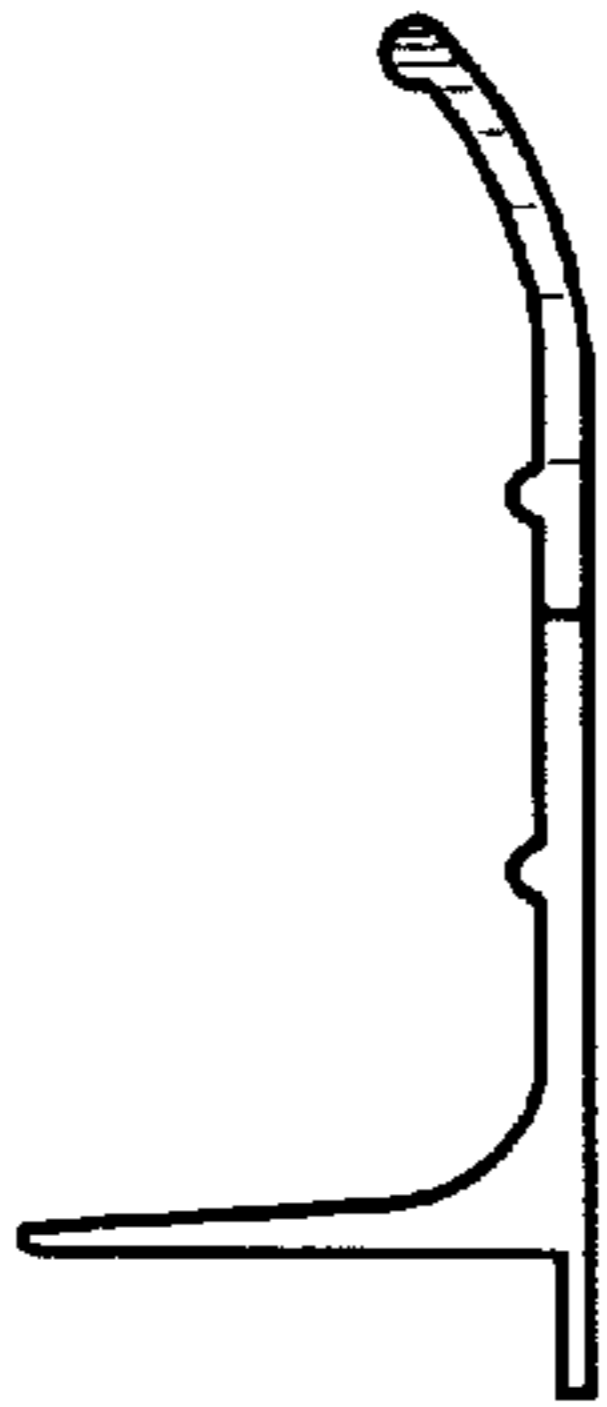


FIG. 6

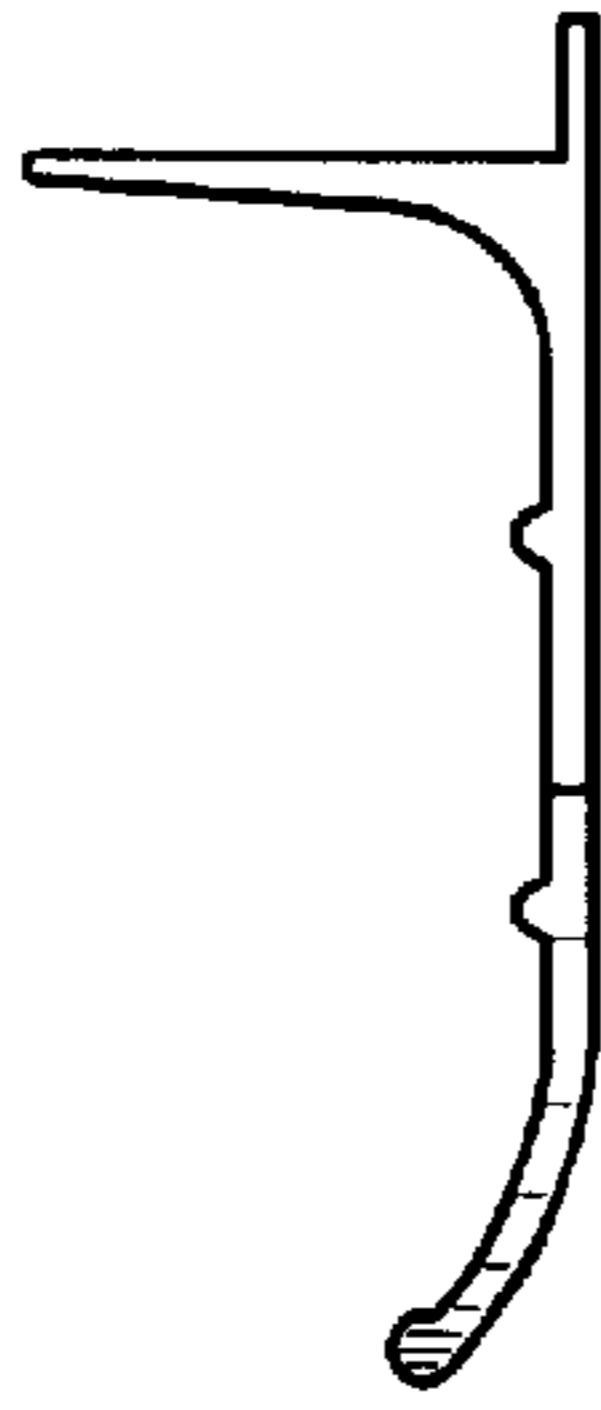


FIG. 7

