



US00D413135S

**United States Patent** [19]  
**Nakamura**

[11] **Patent Number: Des. 413,135**

[45] **Date of Patent: \*\* Aug. 24, 1999**

[54] **COMBINED VIDEO TAPE RECORDER AND CAMERA**

[75] Inventor: **Toshihiro Nakamura**, Tokyo, Japan

[73] Assignee: **Sony Corporation**, Tokyo, Japan

[\*\*] Term: **14 Years**

[21] Appl. No.: **29/082,780**

[22] Filed: **Jan. 30, 1998**

[51] **LOC (6) Cl.** ..... **16-01**

[52] **U.S. Cl.** ..... **D16/202**

[58] **Field of Search** ..... D16/200-208;  
348/373-376; 352/242, 243; 358/906; 396/535-543

[56] **References Cited**

**U.S. PATENT DOCUMENTS**

D. 376,166	12/1996	Ishii	.....	D16/202
D. 381,996	8/1997	Kobayashi	.....	D16/202
D. 384,085	9/1997	Harata	.....	D16/202
D. 385,568	10/1997	Harata	.....	D16/202
5,499,052	3/1996	Nakanishi et al.	.....	348/373

**OTHER PUBLICATIONS**

Catalog "86", pp. 6, 7, 8 & 9, Sony (Jul. 1997).

*Primary Examiner*—Adir Aronovich

*Attorney, Agent, or Firm*—Foley & Lardner

[57] **CLAIM**

The ornamental design for a combined video tape recorder and camera, as shown and described.

**DESCRIPTION**

FIG. 1 is a top, front perspective view of a combined tape recorder and camera showing my new design;

FIG. 2 is a top, rear perspective view thereof, the viewing screen shown in an extending away position;

FIG. 3 is a top, rear perspective view of thereof, the viewing screen shown in the first alternate position;

FIG. 4 is a top, rear perspective view thereof, the viewing screen shown in the second alternate position; and

FIG. 5 is a top, rear perspective view thereof, the viewing screen shown in the third alternate position;

FIG. 6 is a top plan view of FIG. 1;

FIG. 7 is a left side elevational view thereof;

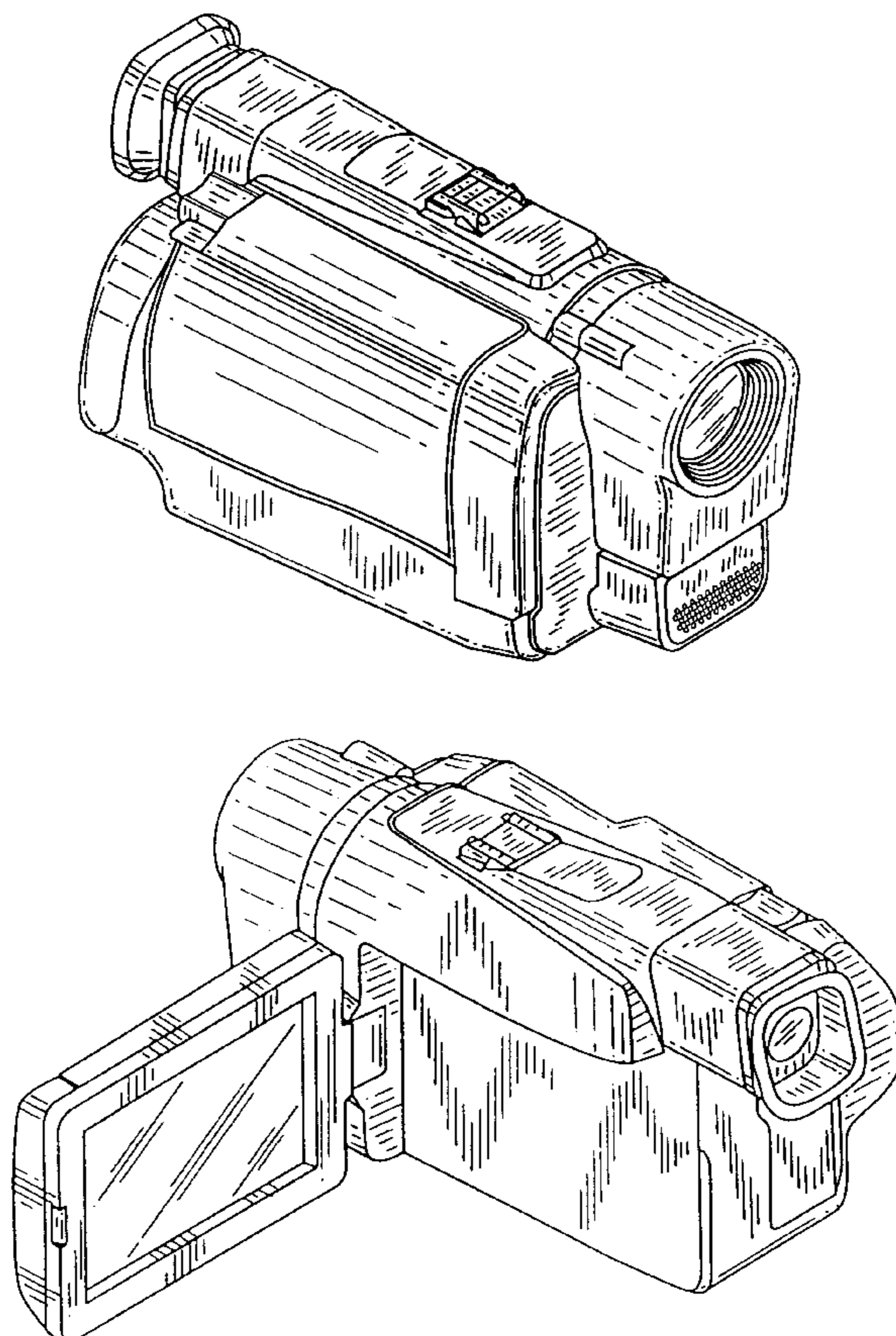
FIG. 8 is a front elevational view thereof;

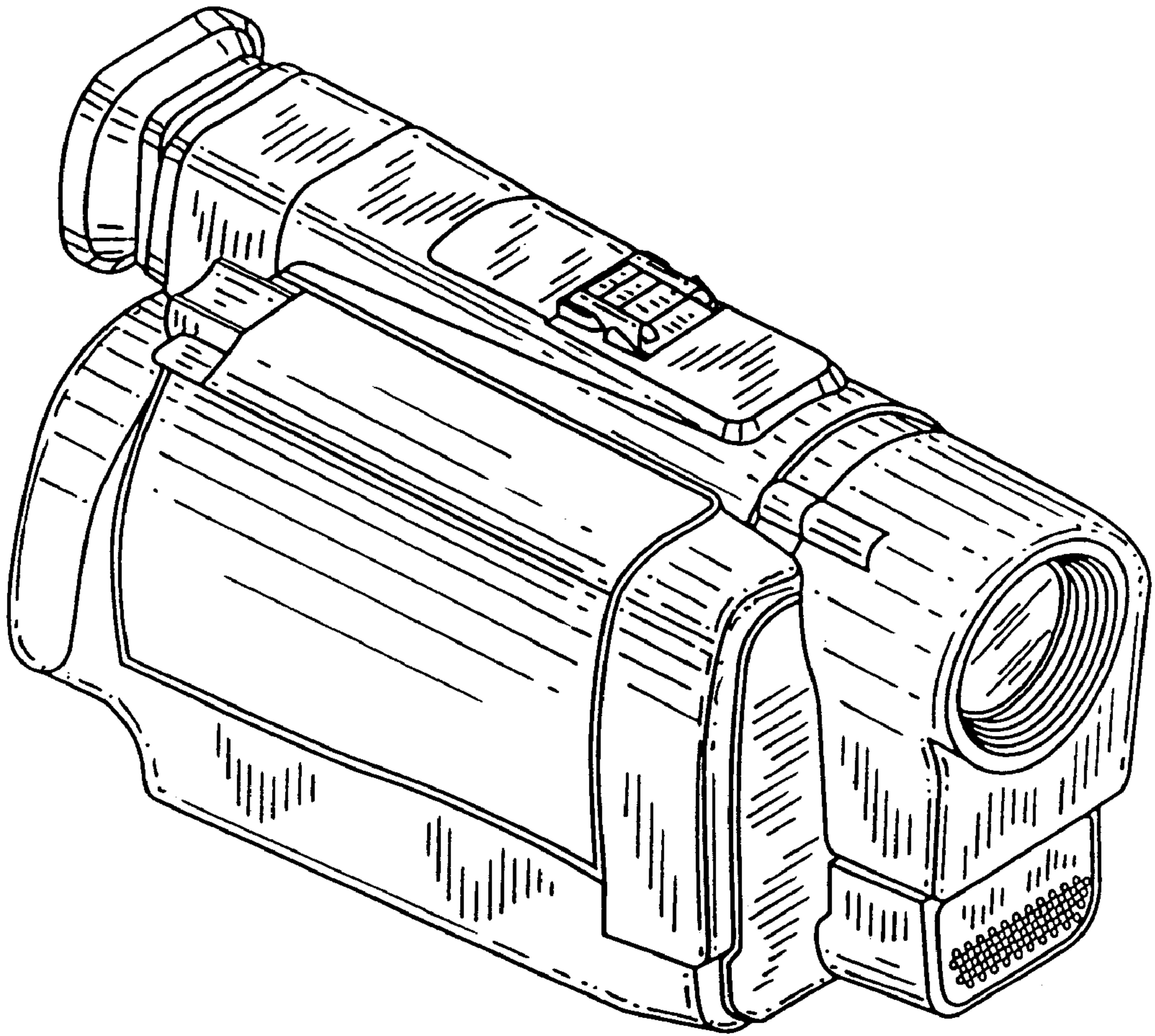
FIG. 9 is a right side elevational view thereof; and

FIG. 10 is a rear elevational view thereof; and,

FIG. 11 is a top, front perspective view thereof, wherein a cover portion is in the open position.

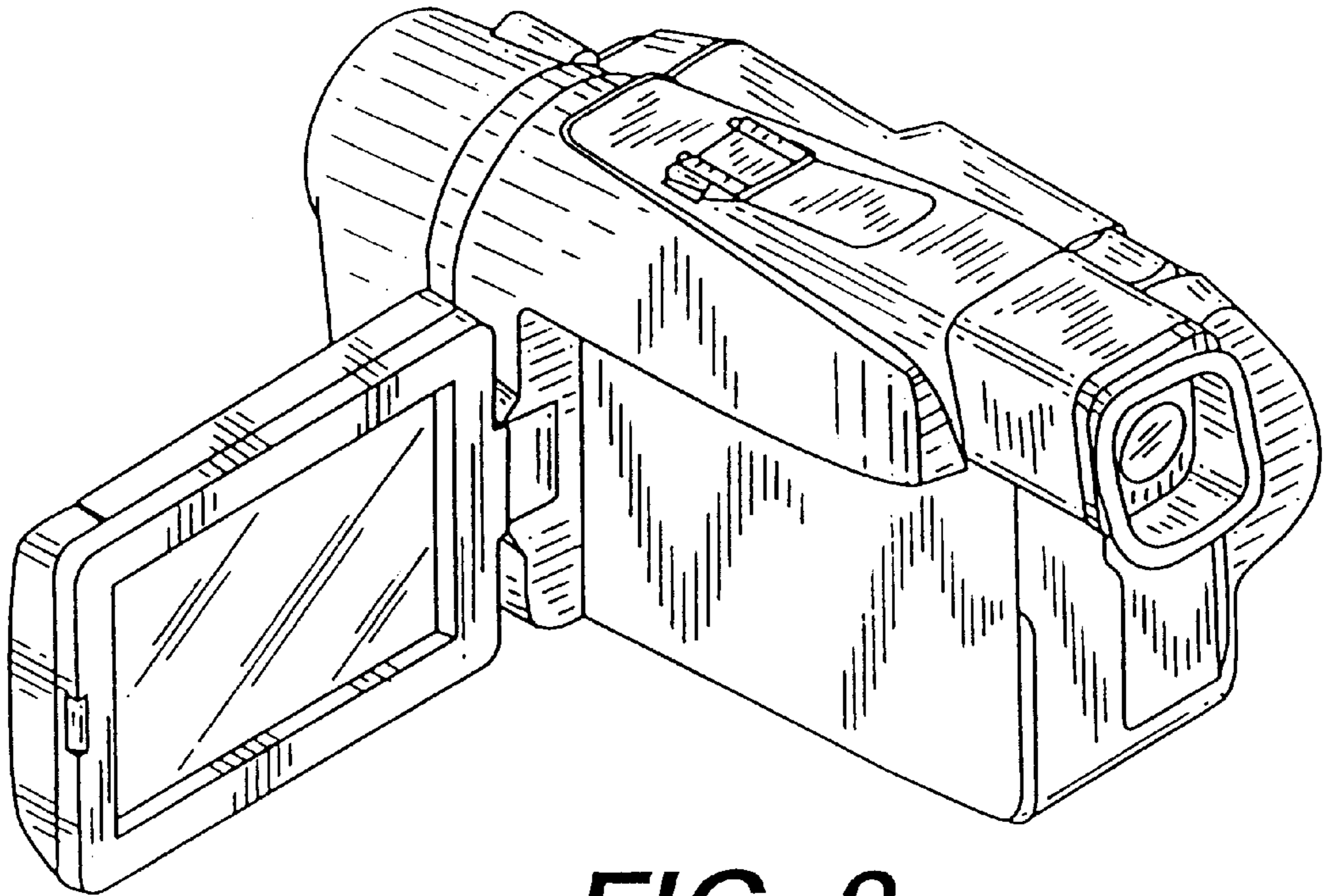
**1 Claim, 6 Drawing Sheets**



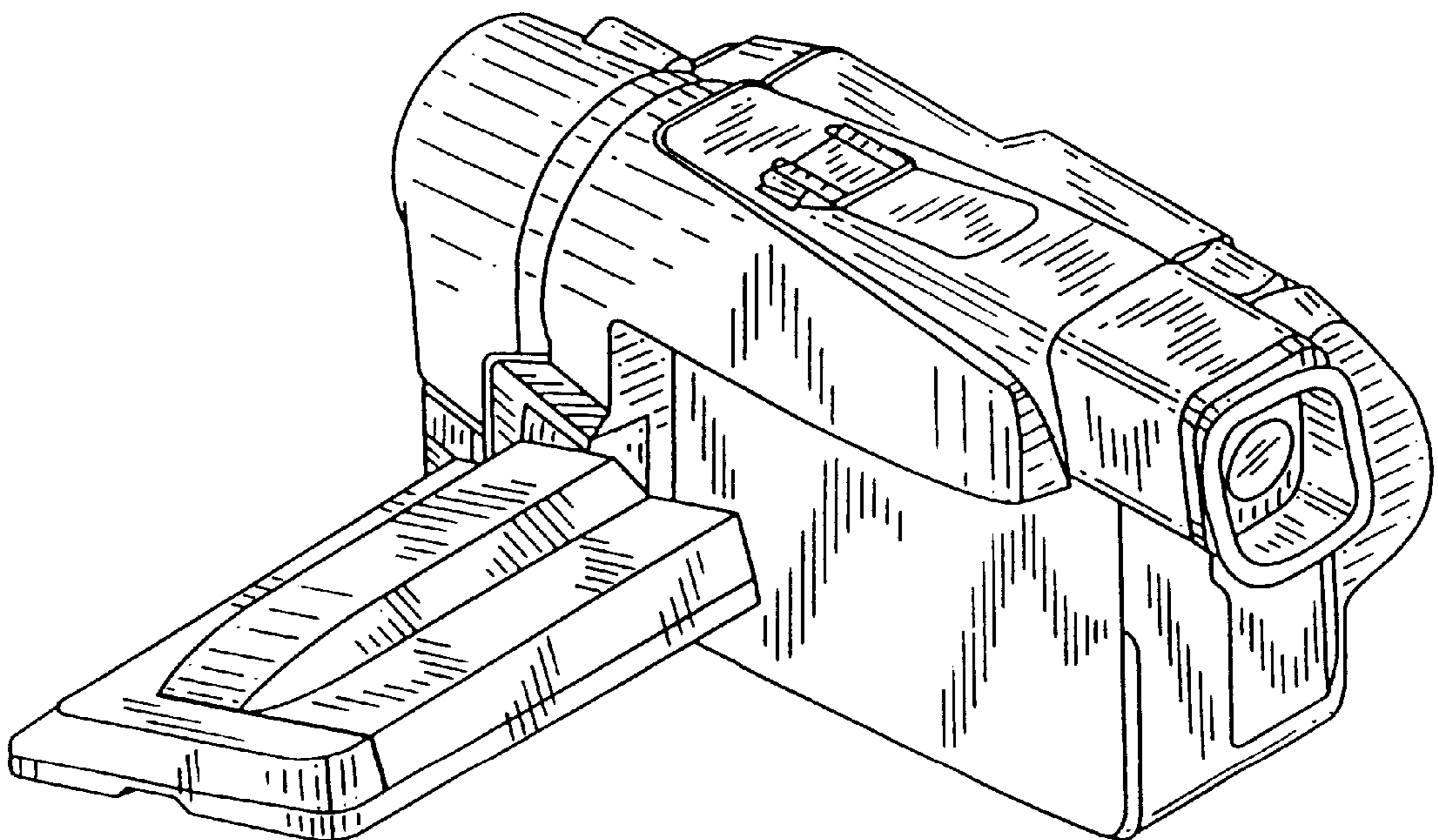


**FIG. 1**

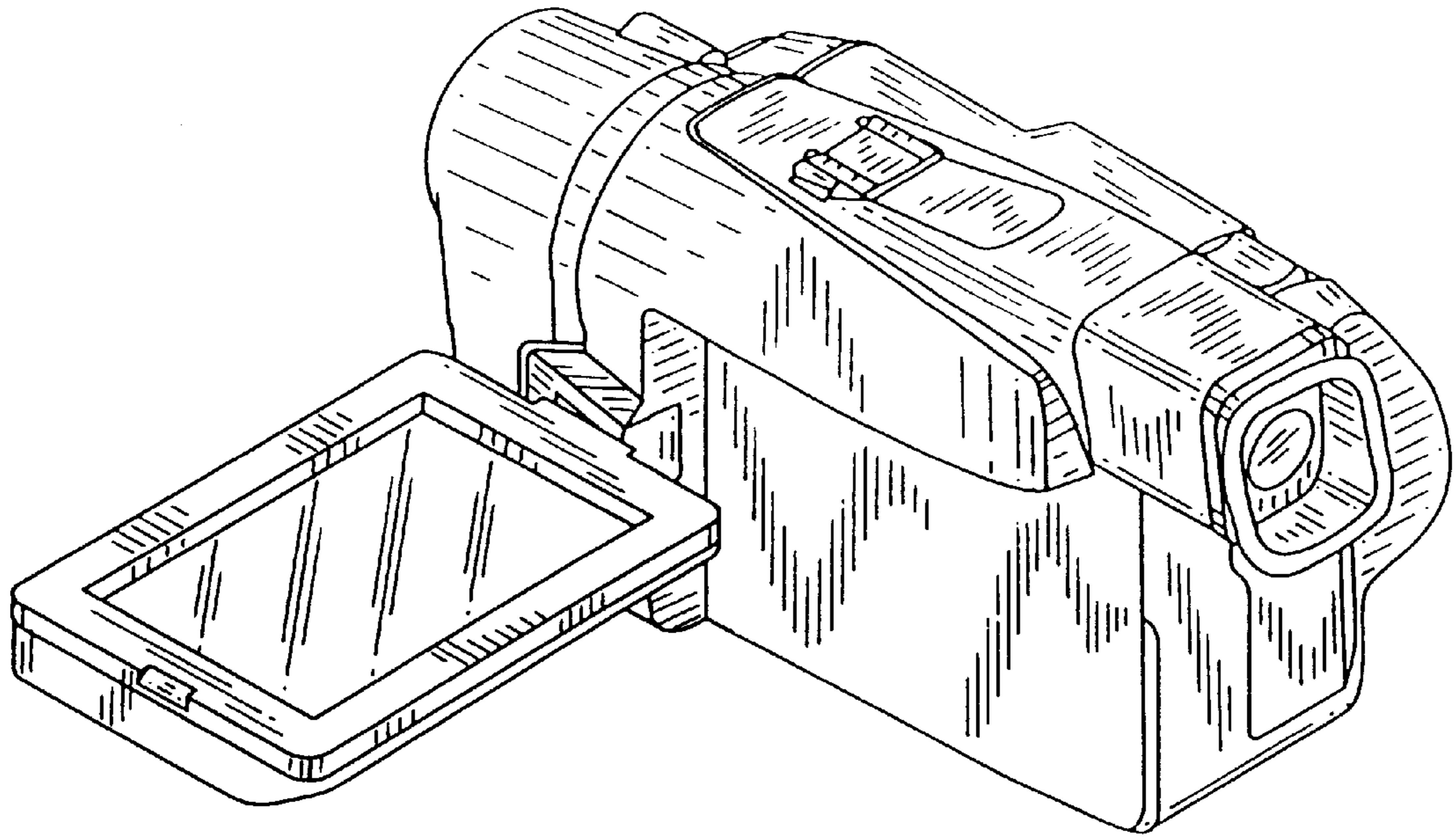




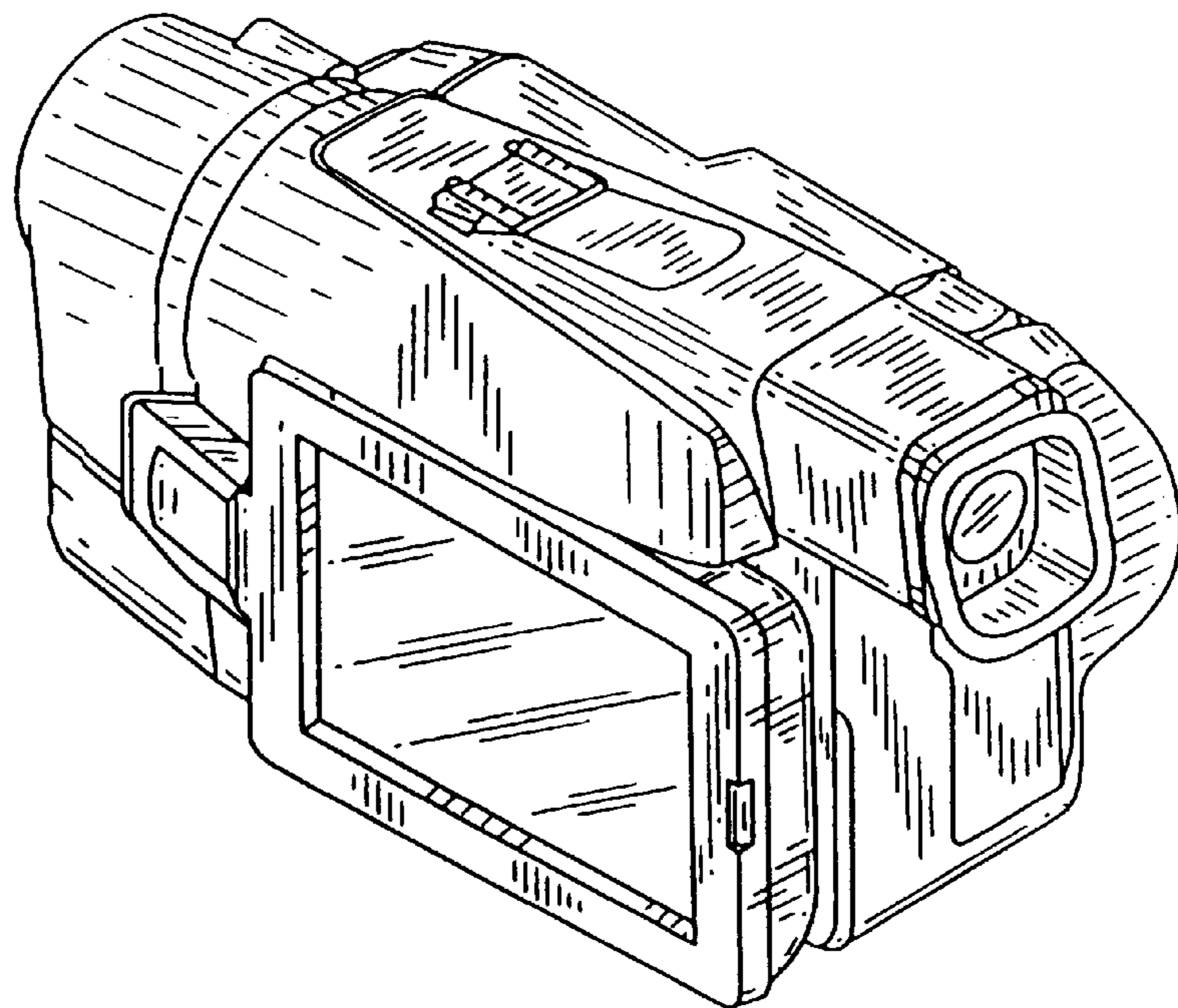
**FIG. 2**



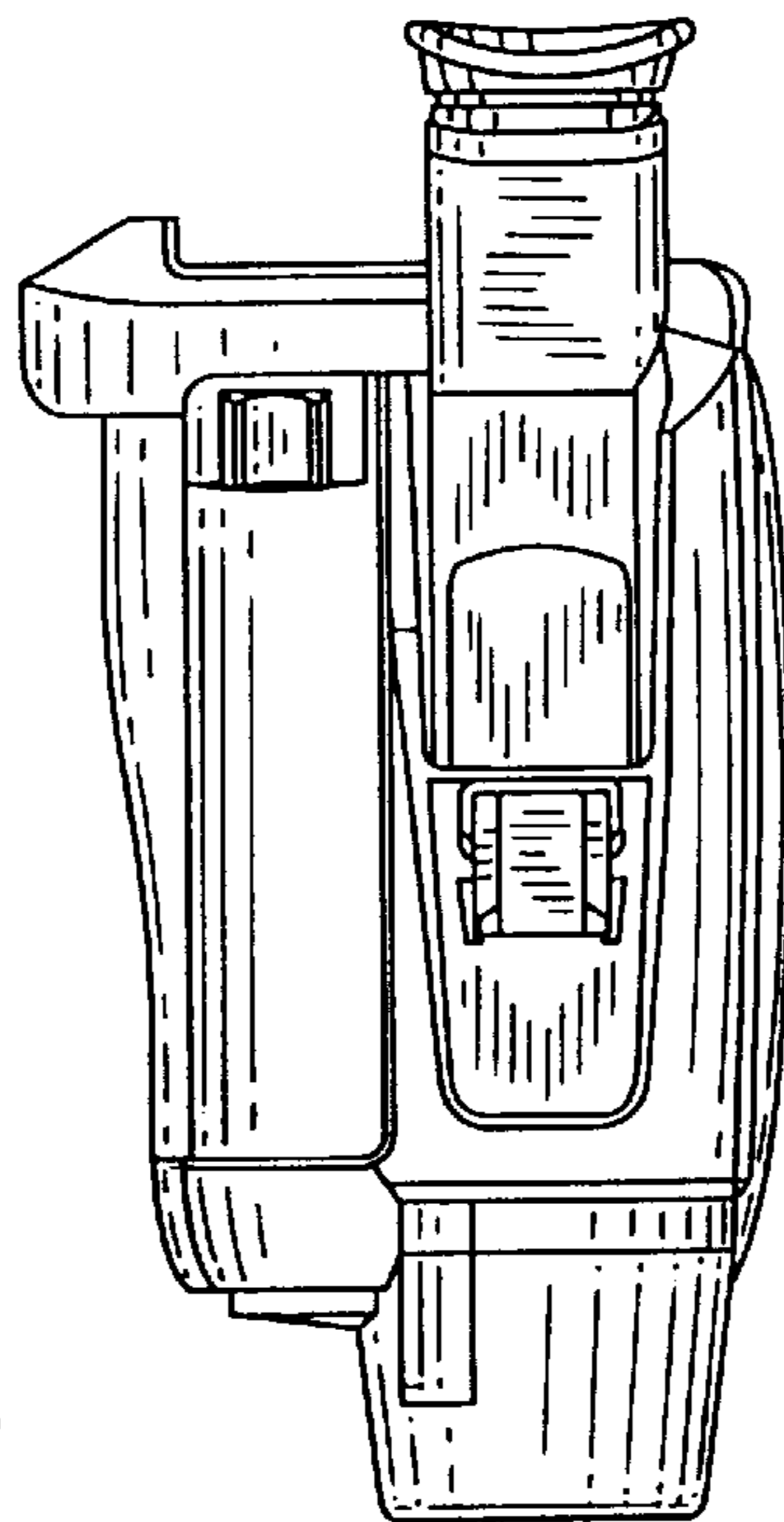
**FIG. 3**



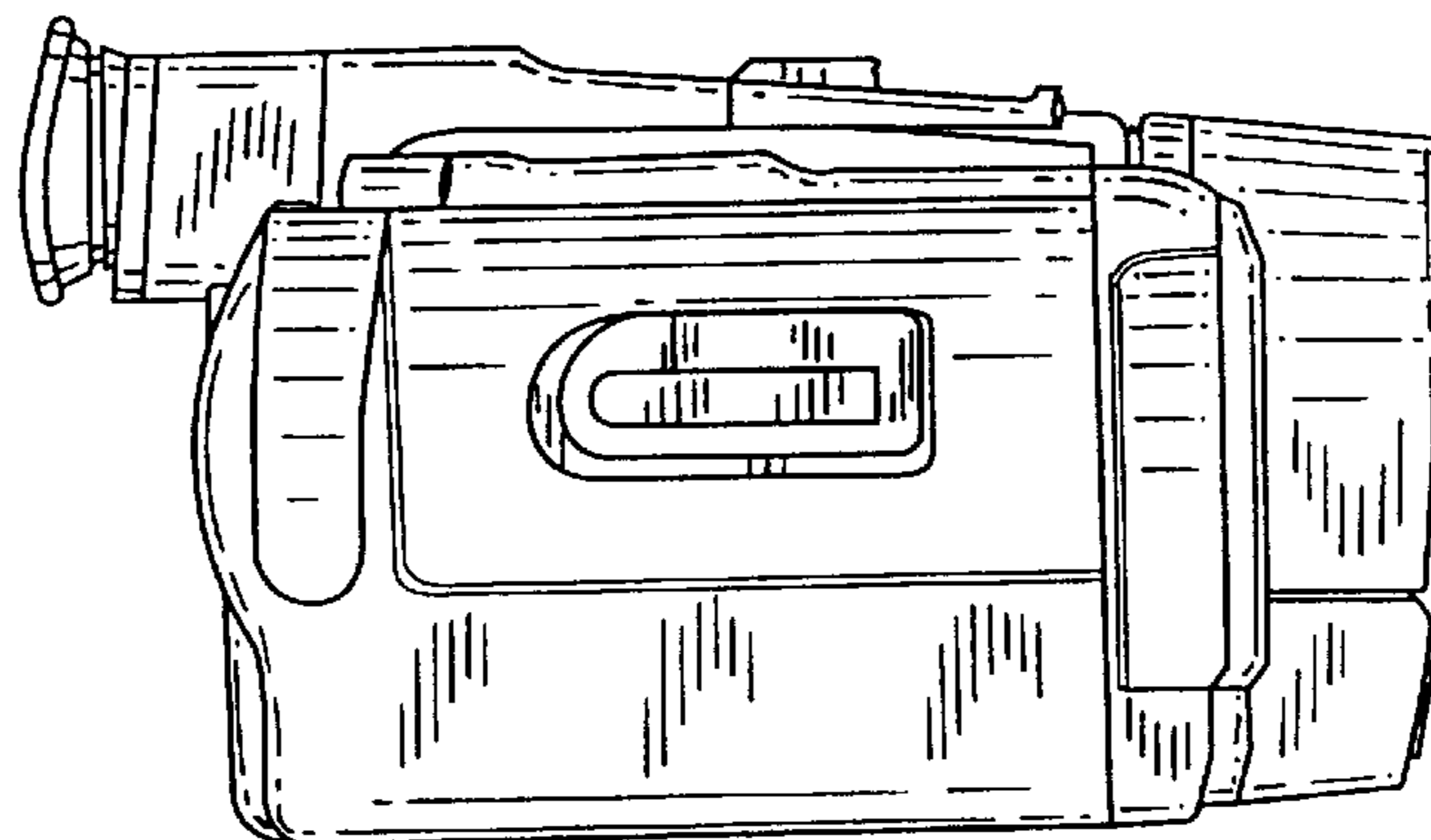
**FIG. 4**



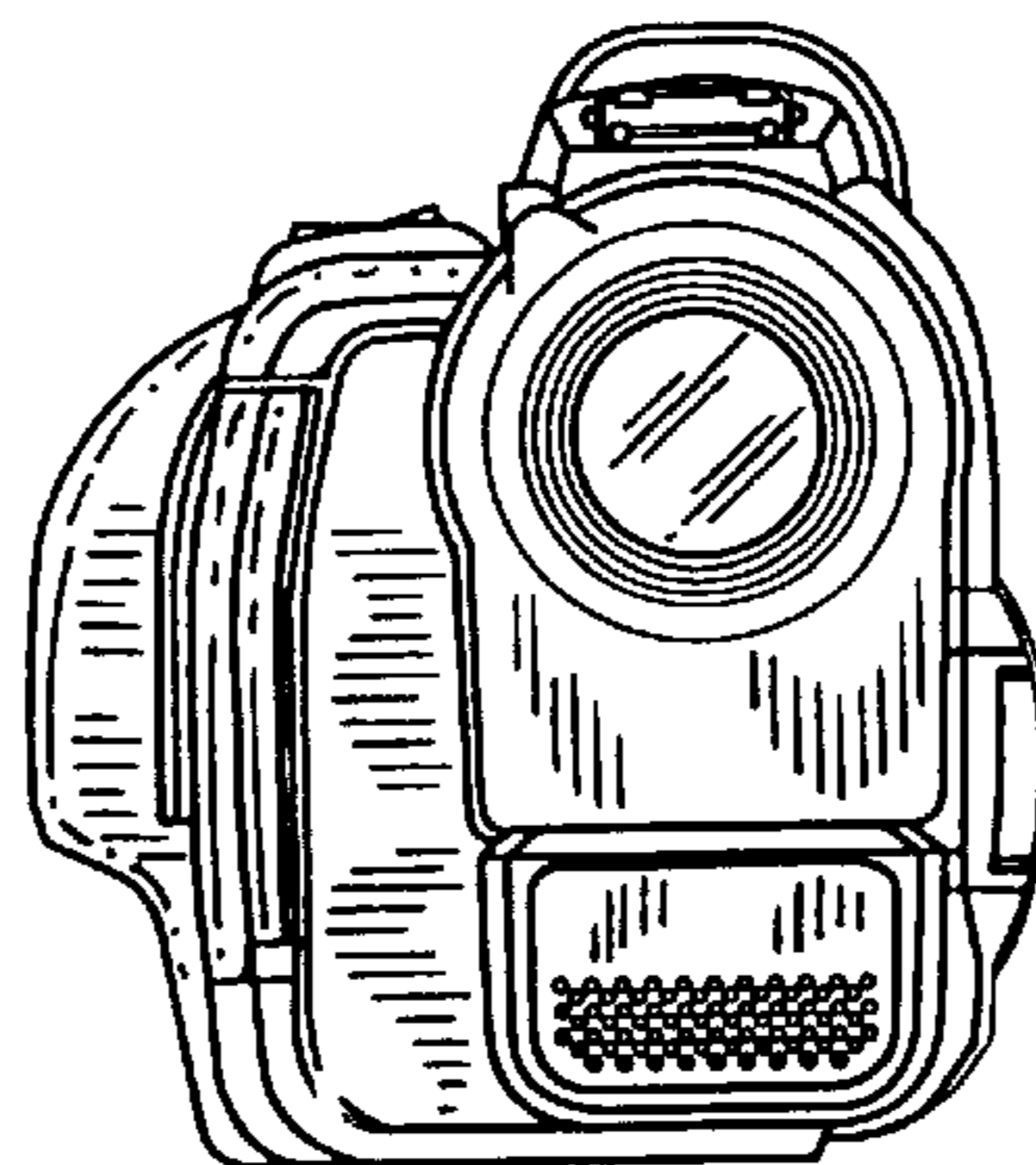
**FIG. 5**



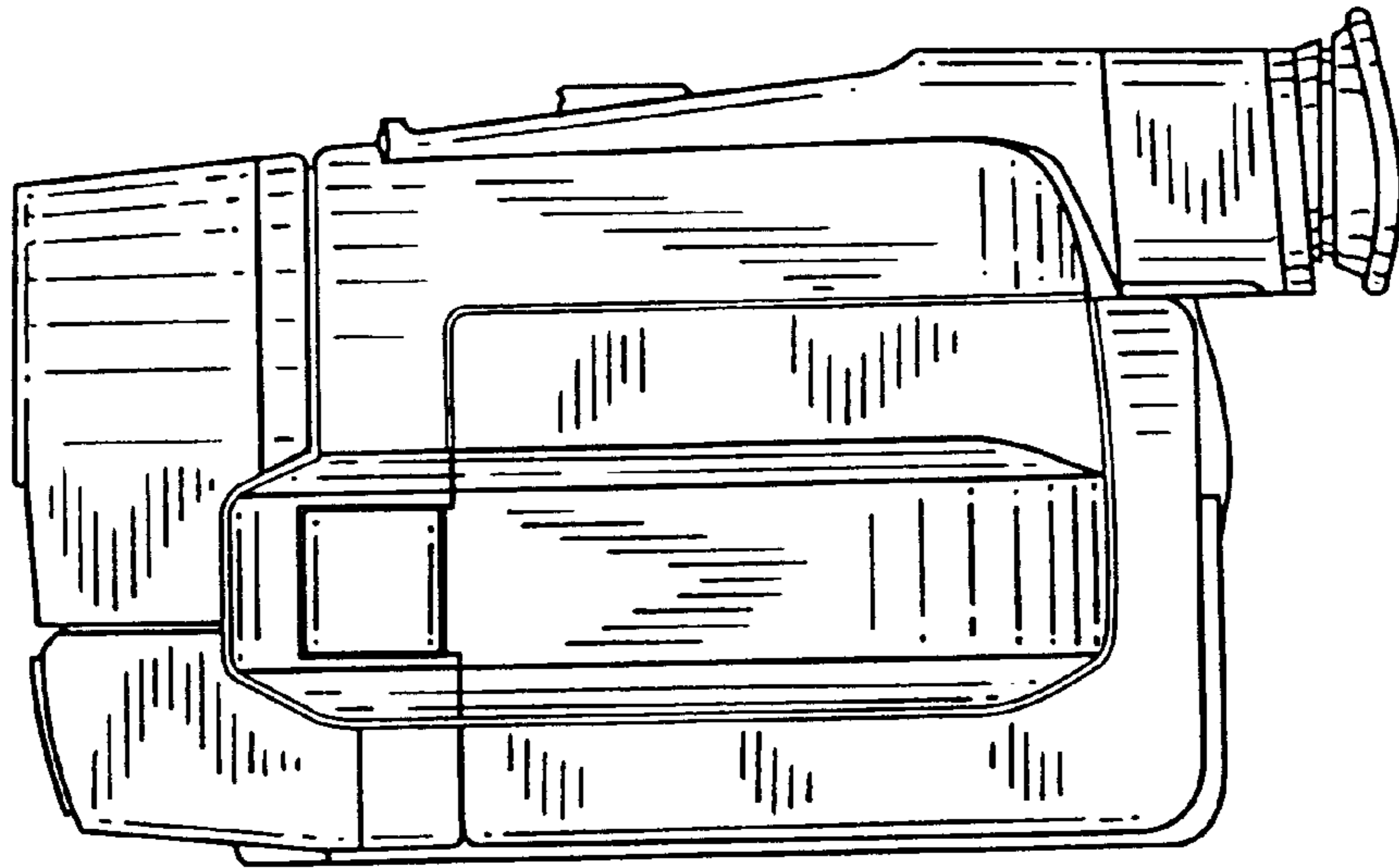
**FIG. 6**



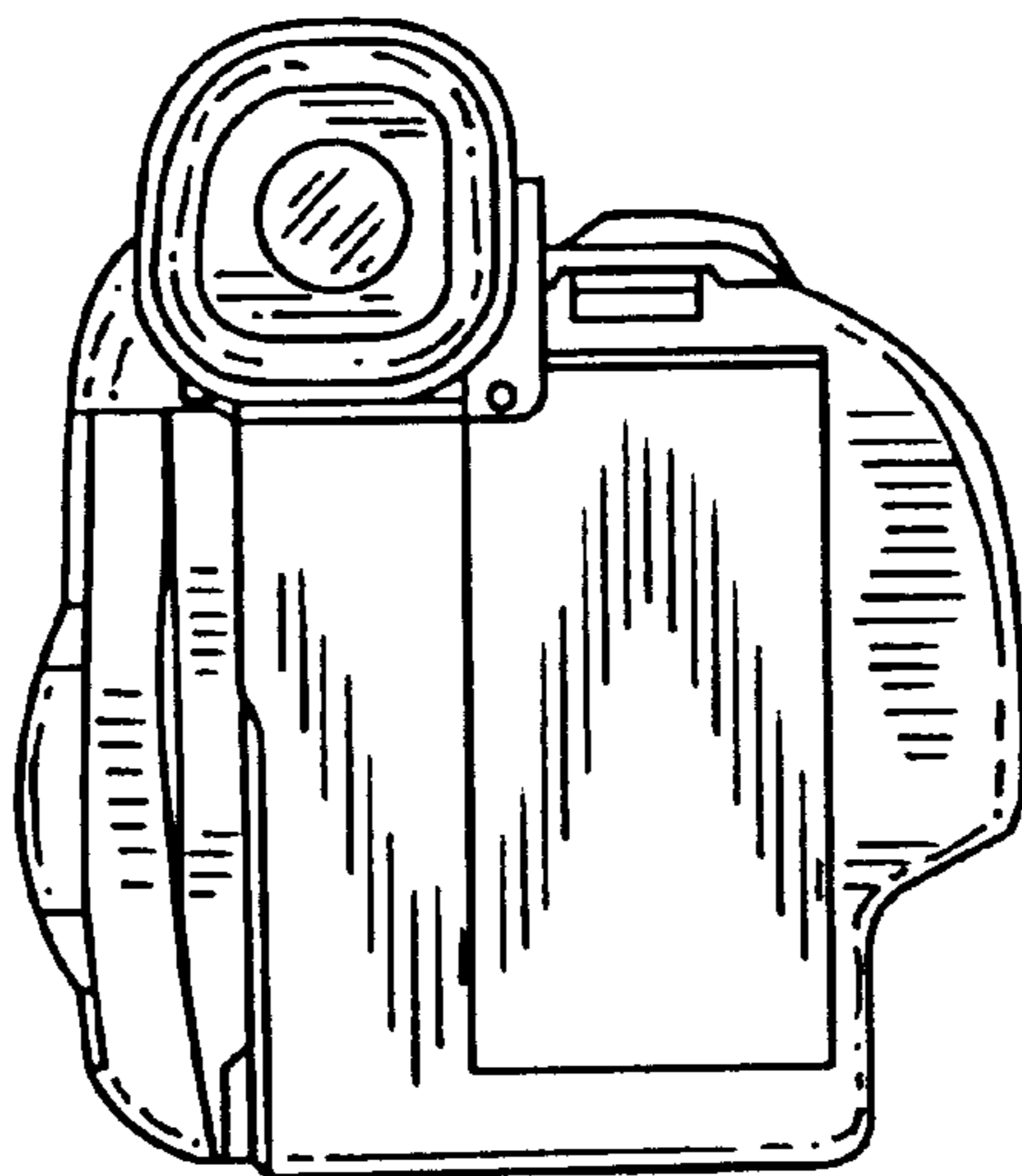
**FIG. 7**



**FIG. 8**

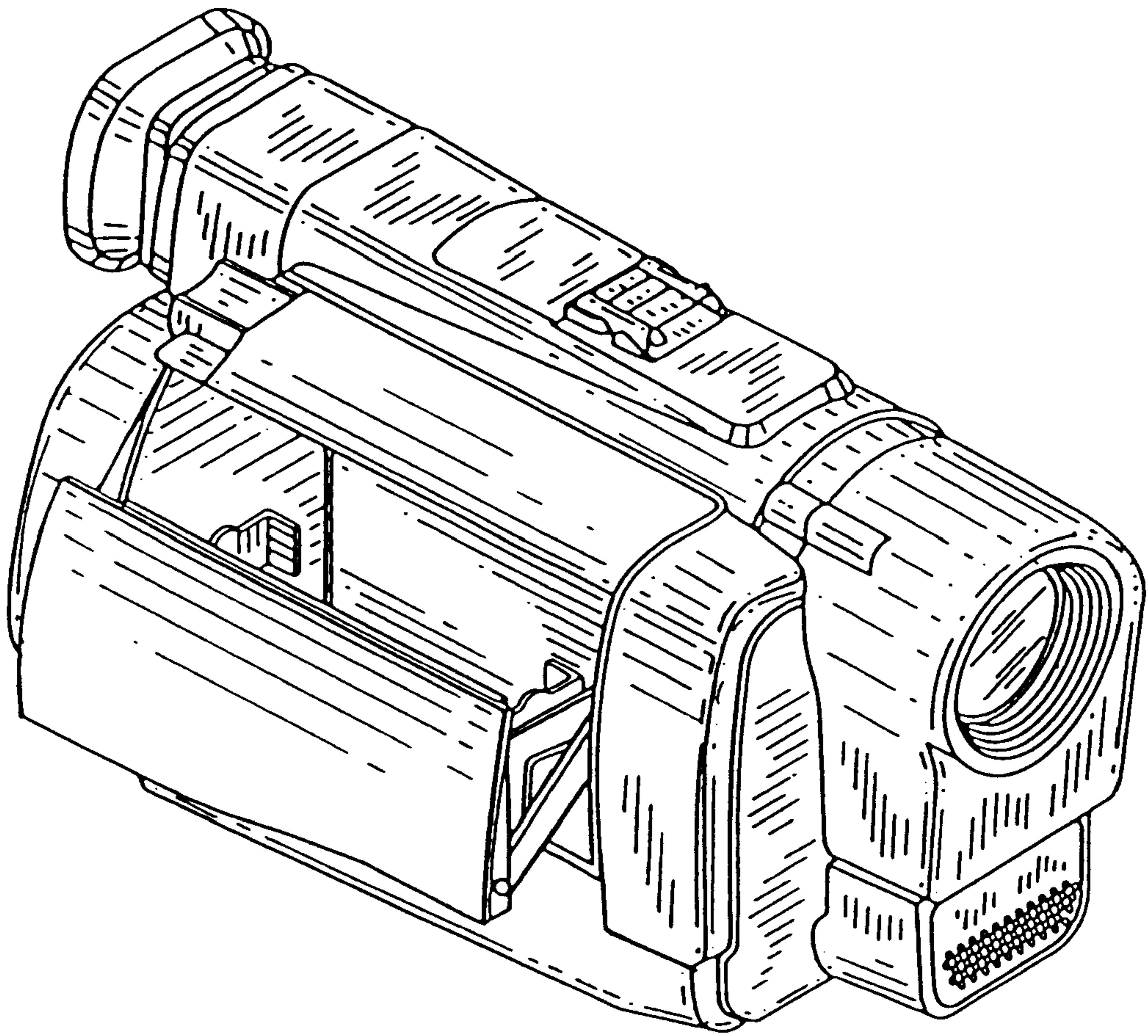


**FIG. 9**



**FIG. 10**





**FIG. 11**