



US00D413134S

United States Patent [19]

Harata

[11] Patent Number: Des. 413,134

[45] Date of Patent: ** Aug. 24, 1999

[54] **COMBINED VIDEO TAPE RECORDER AND CAMERA**

[75] Inventor: Tomohiro Harata, Tokyo, Japan

[73] Assignee: Sony Coporation, Tokyo, Japan

[**] Term: 14 Years

[21] Appl. No.: 29/075,348

[22] Filed: Aug. 25, 1997

[51] LOC (6) Cl. 16-01

[52] U.S. Cl. D16/202

[58] Field of Search D16/200-208;
348/373-376; 352/242, 243; 358/906; 396/535-543

[56] **References Cited**

U.S. PATENT DOCUMENTS

D. 372,255	7/1996	Nakamura	D16/202
D. 375,107	10/1996	Ishii	D16/202
D. 376,166	12/1996	Ishii	D16/202
5,499,052	3/1996	Nakanishi et al.	348/373

OTHER PUBLICATIONS

Sony Handycam Catalog, pp. 10 & 12, Mar. 1996.

Sony Handycam Catalog, p. 13, Jun. 1996.

Primary Examiner—Adir Aronovich

Attorney, Agent, or Firm—Foely & Lardner

[57] **CLAIM**

The ornamental design for a combined video tape recorder and camera, as shown and described.

DESCRIPTION

FIG. 1 is a top, front perspective view of a video camera combined with vide tape recorder showing my new design;

FIG. 2 is a top, rear perspective view thereof the viewing screen shown in an extending away position;

FIG. 3 is a top, rear perspective view thereof, the viewing screen shown in the first alternate position;

FIG. 4 is a top, rear perspective view thereof, the viewing screen shown in the second alternate position;

FIG. 5 is a top, rear perspective view thereof, the viewing screen shown in the third alternate position;

FIG. 6 is a top plan view of FIG. 1;

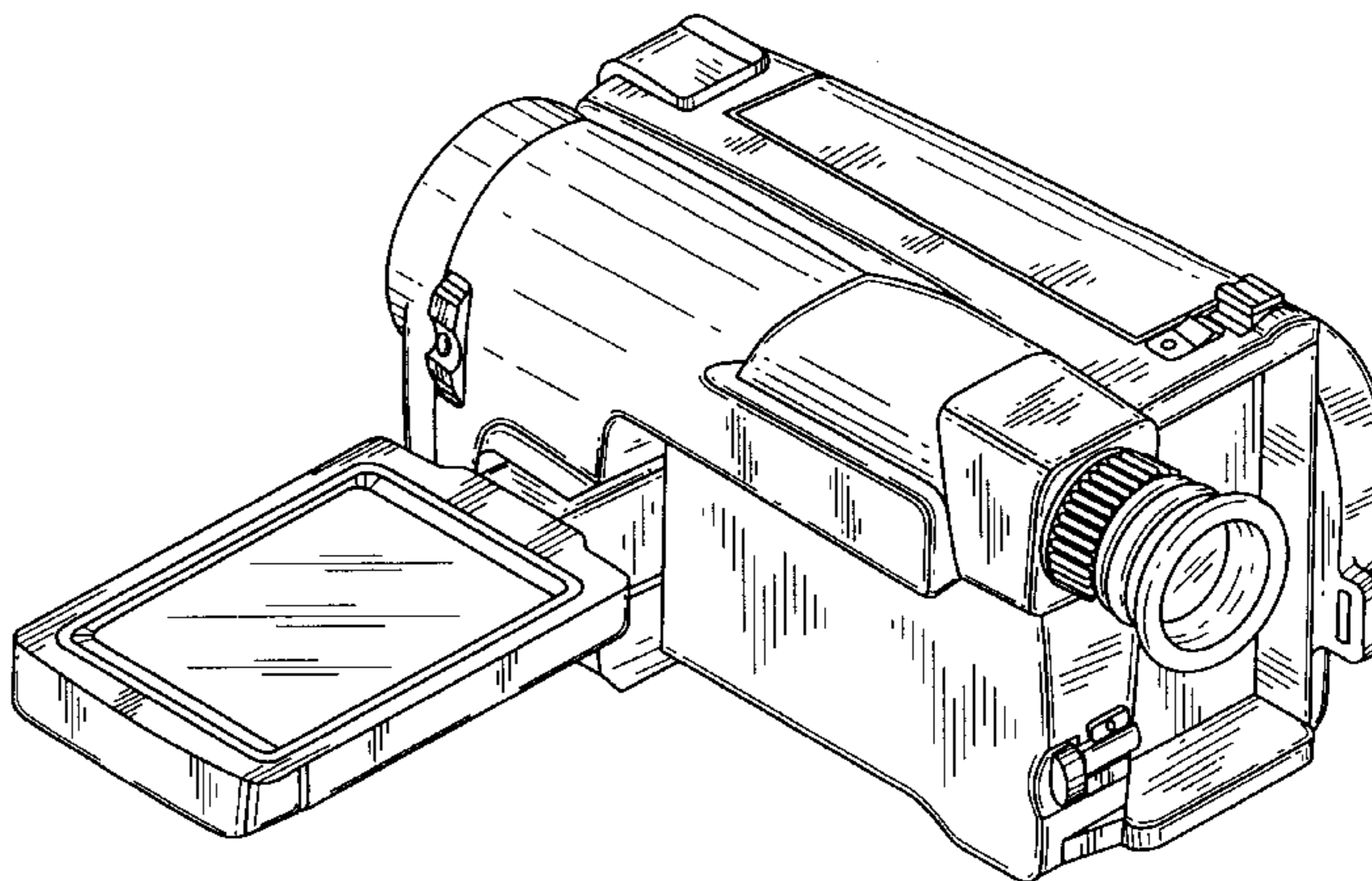
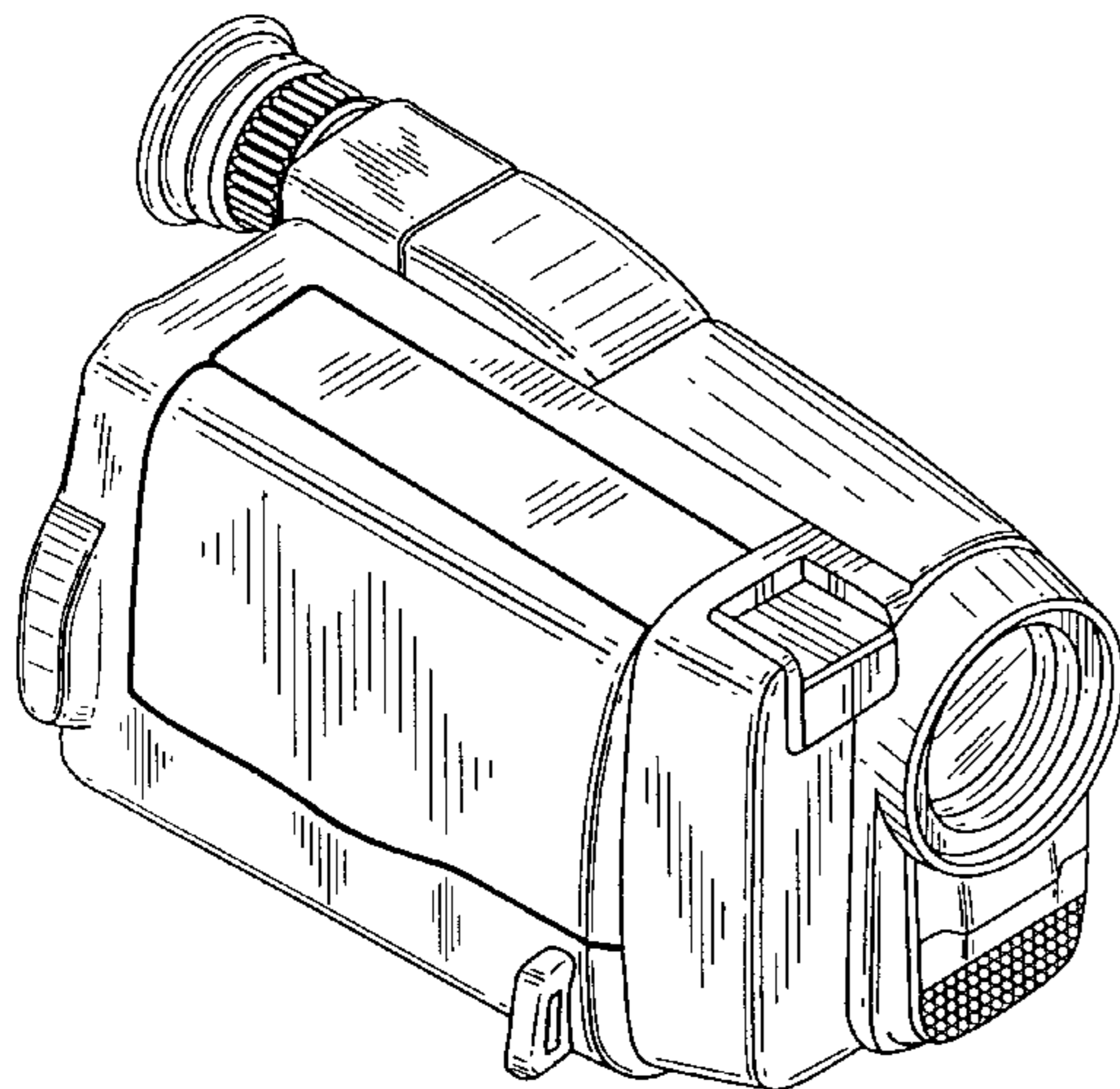
FIG. 7 is a left side elevational view thereof;

FIG. 8 is a front elevational view thereof;

FIG. 9 is a right side elevational view thereof; and,

FIG. 10 is a rear elevational view thereof.

1 Claim, 5 Drawing Sheets



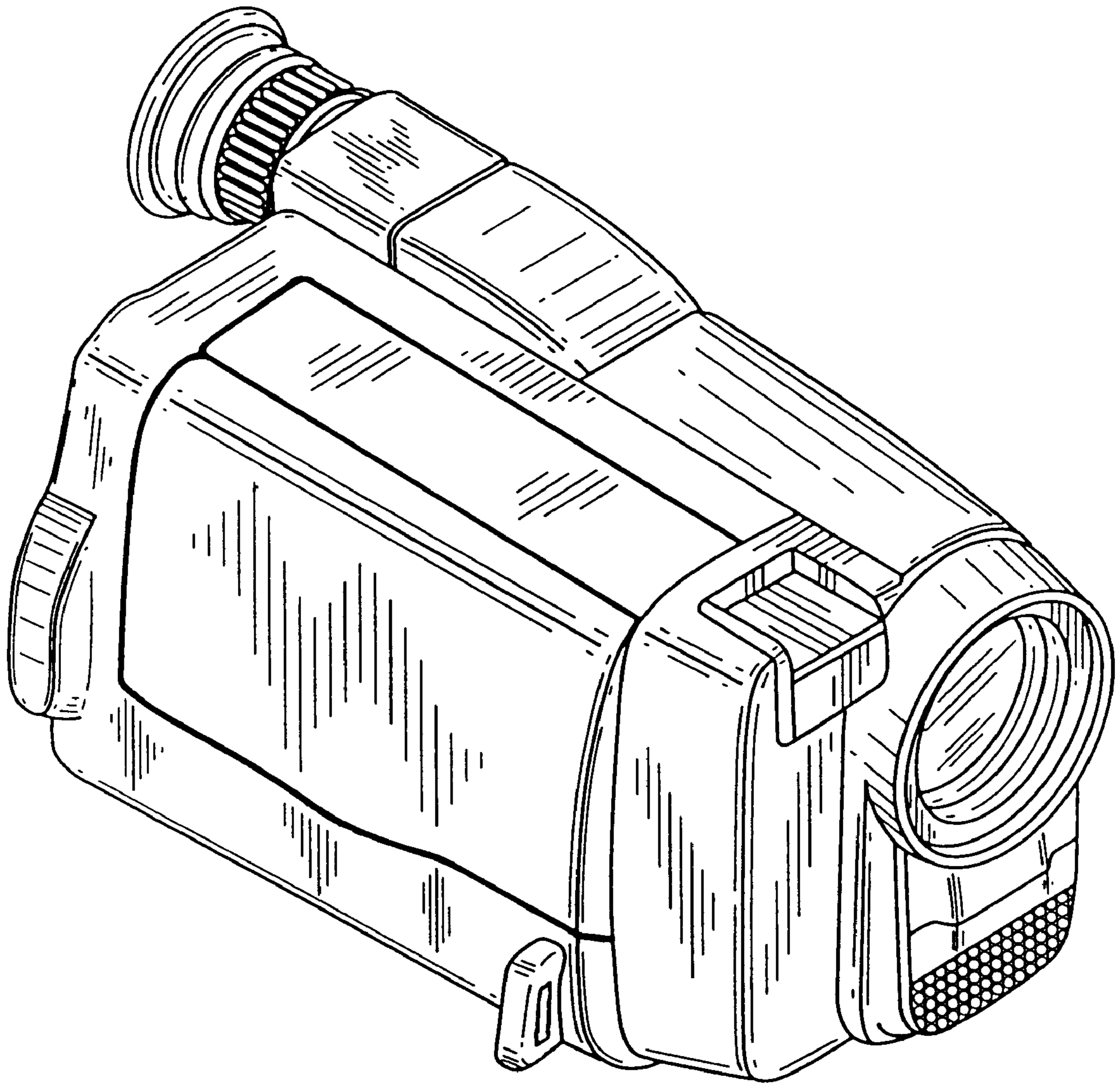


FIG. 1

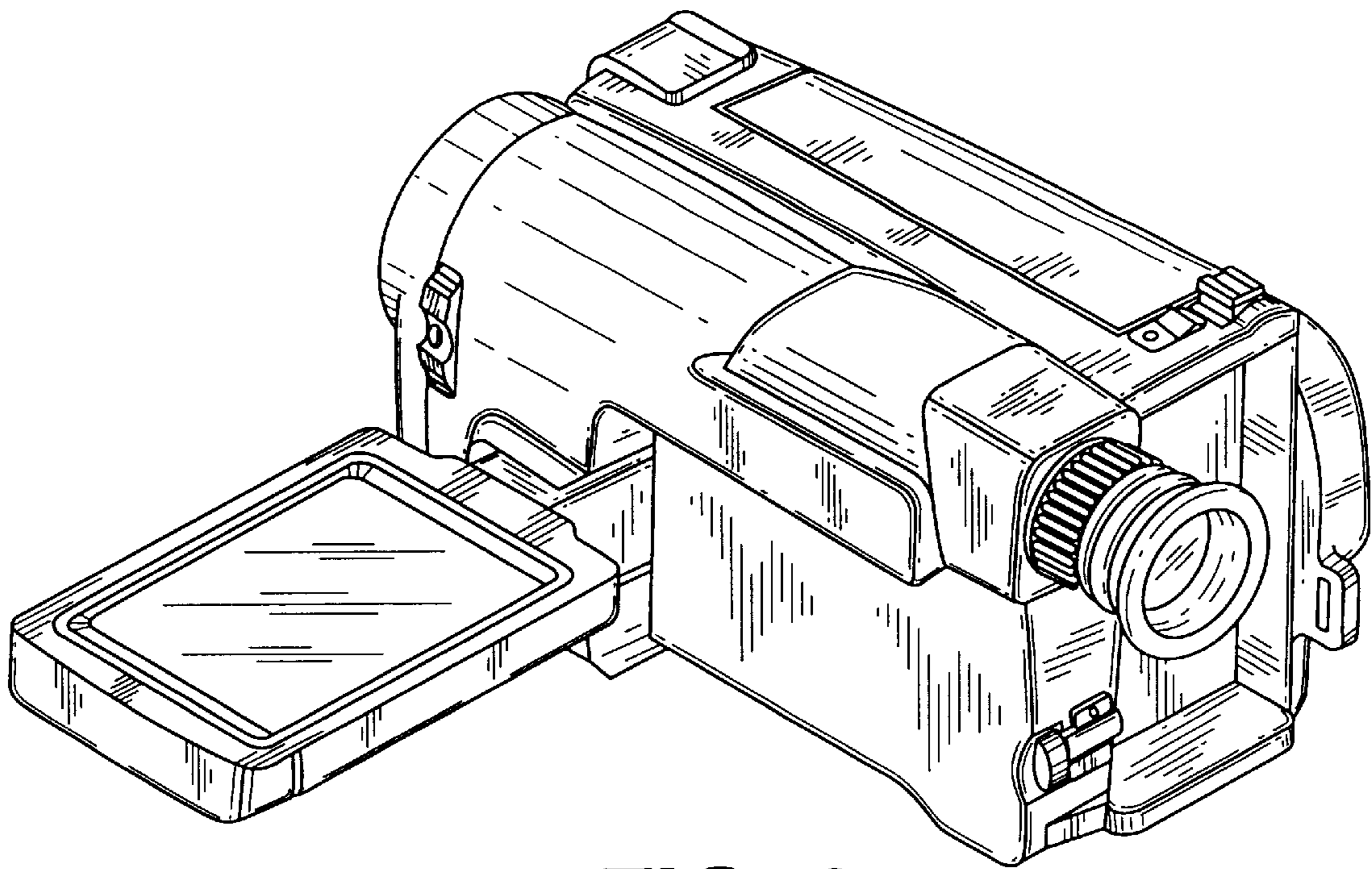


FIG. 2

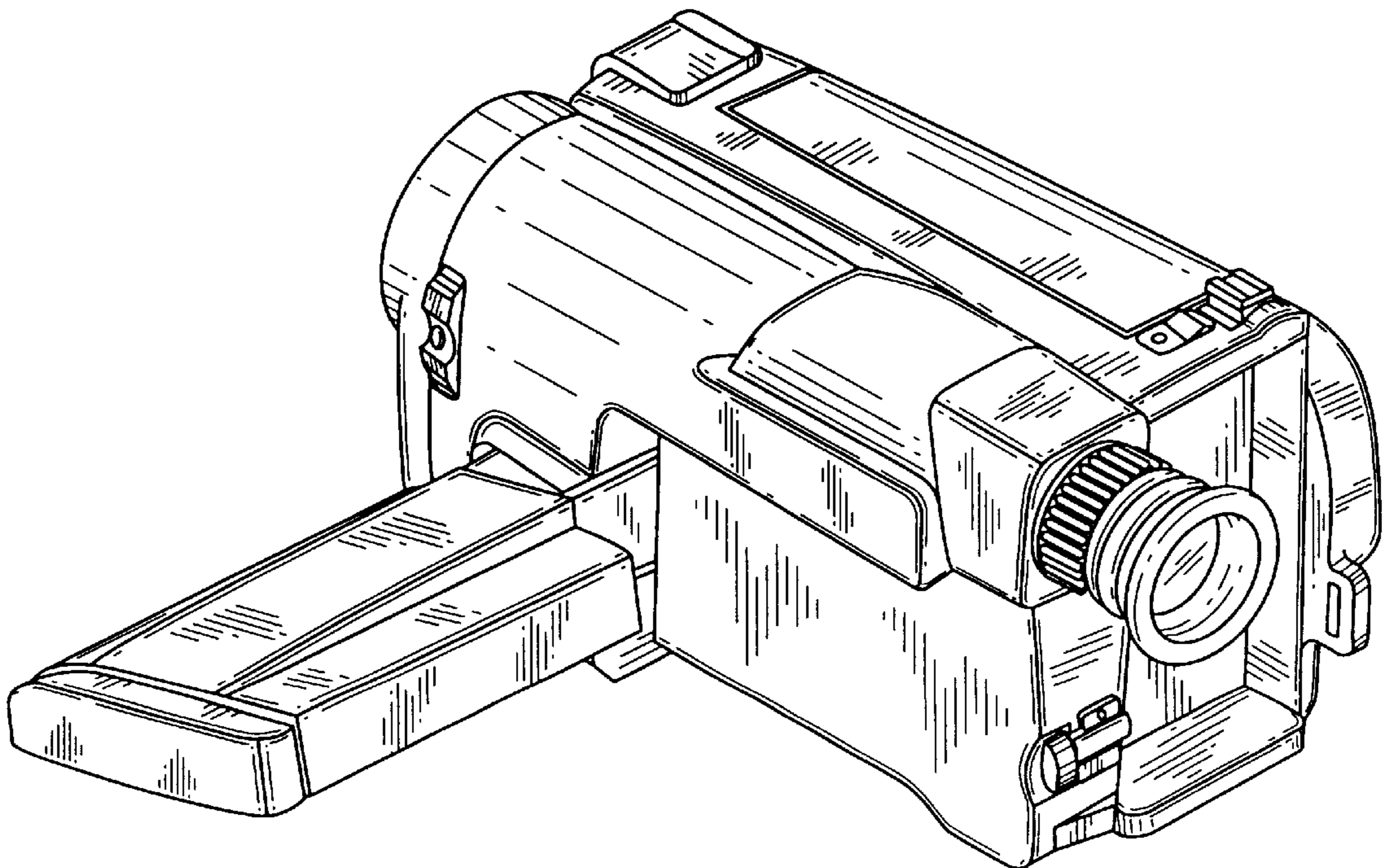


FIG. 3

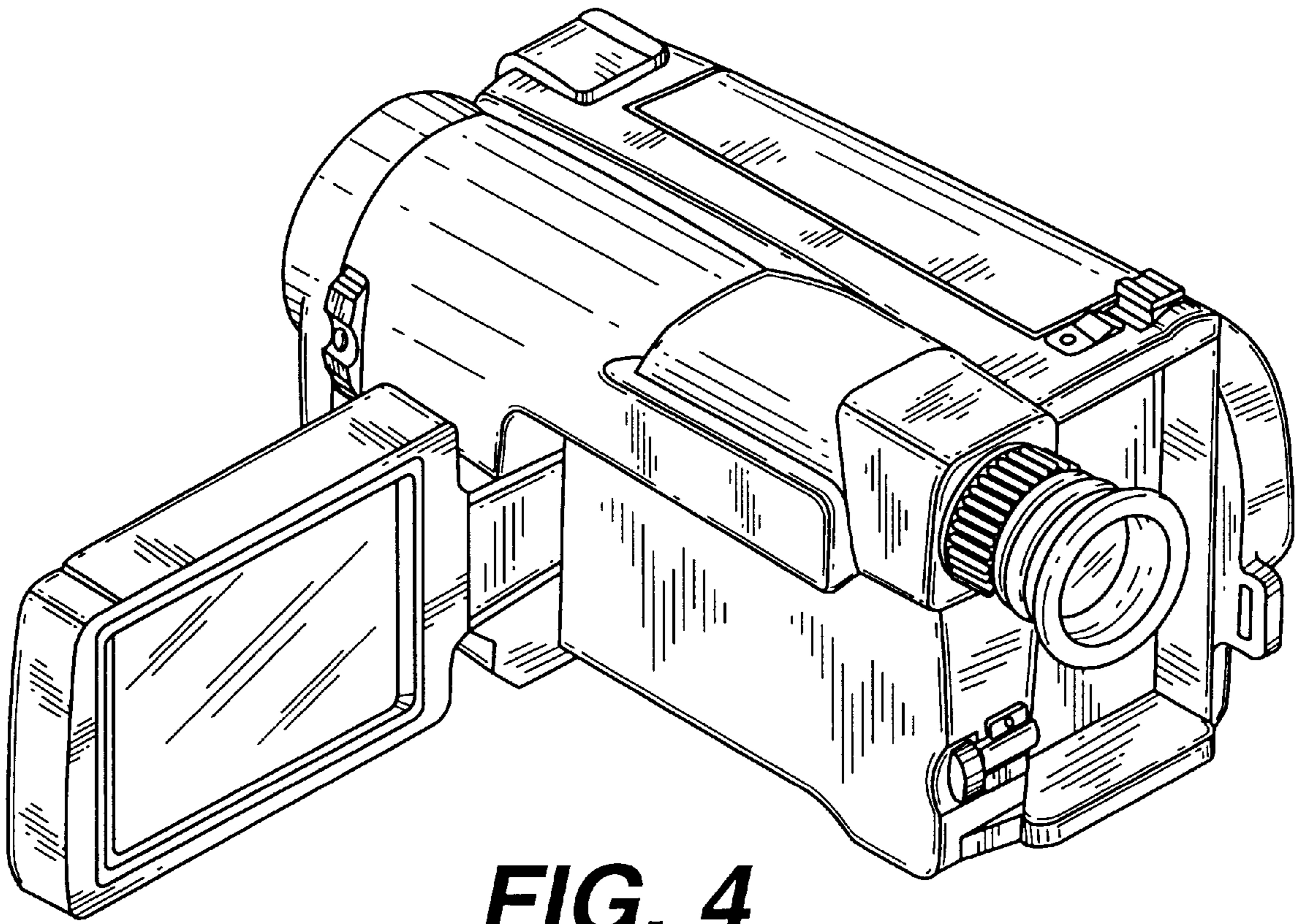


FIG. 4

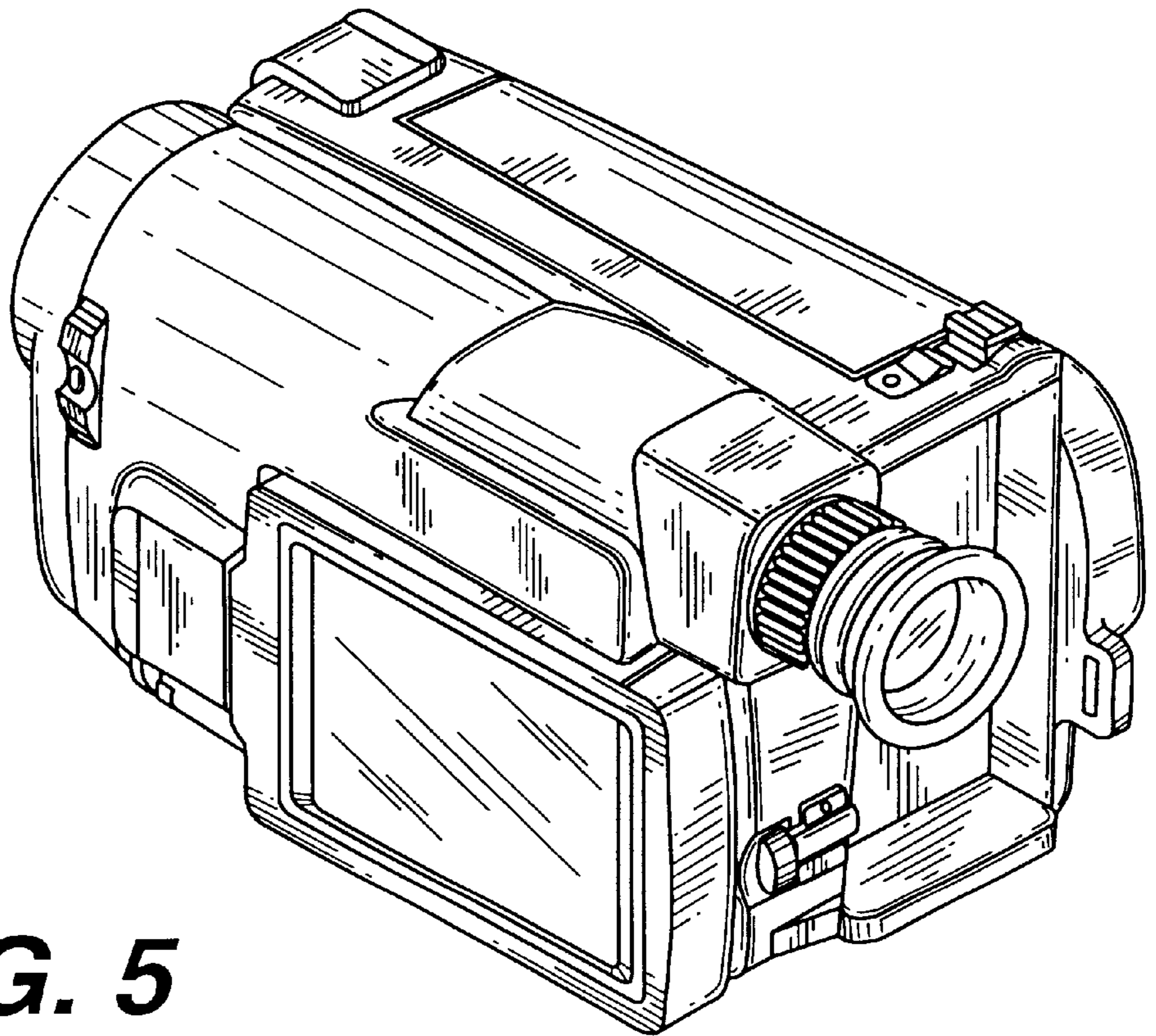


FIG. 5

FIG. 6

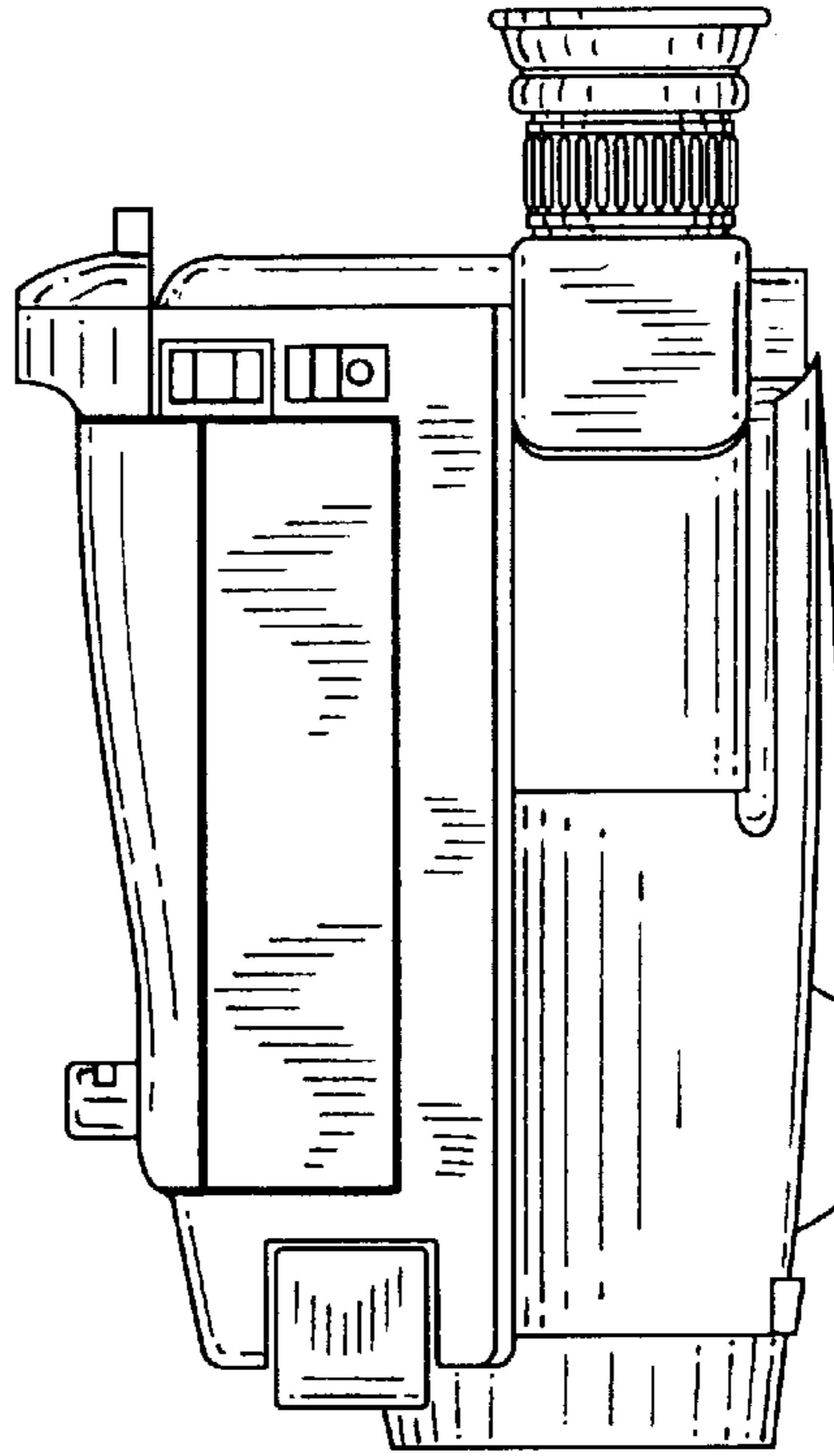


FIG. 7

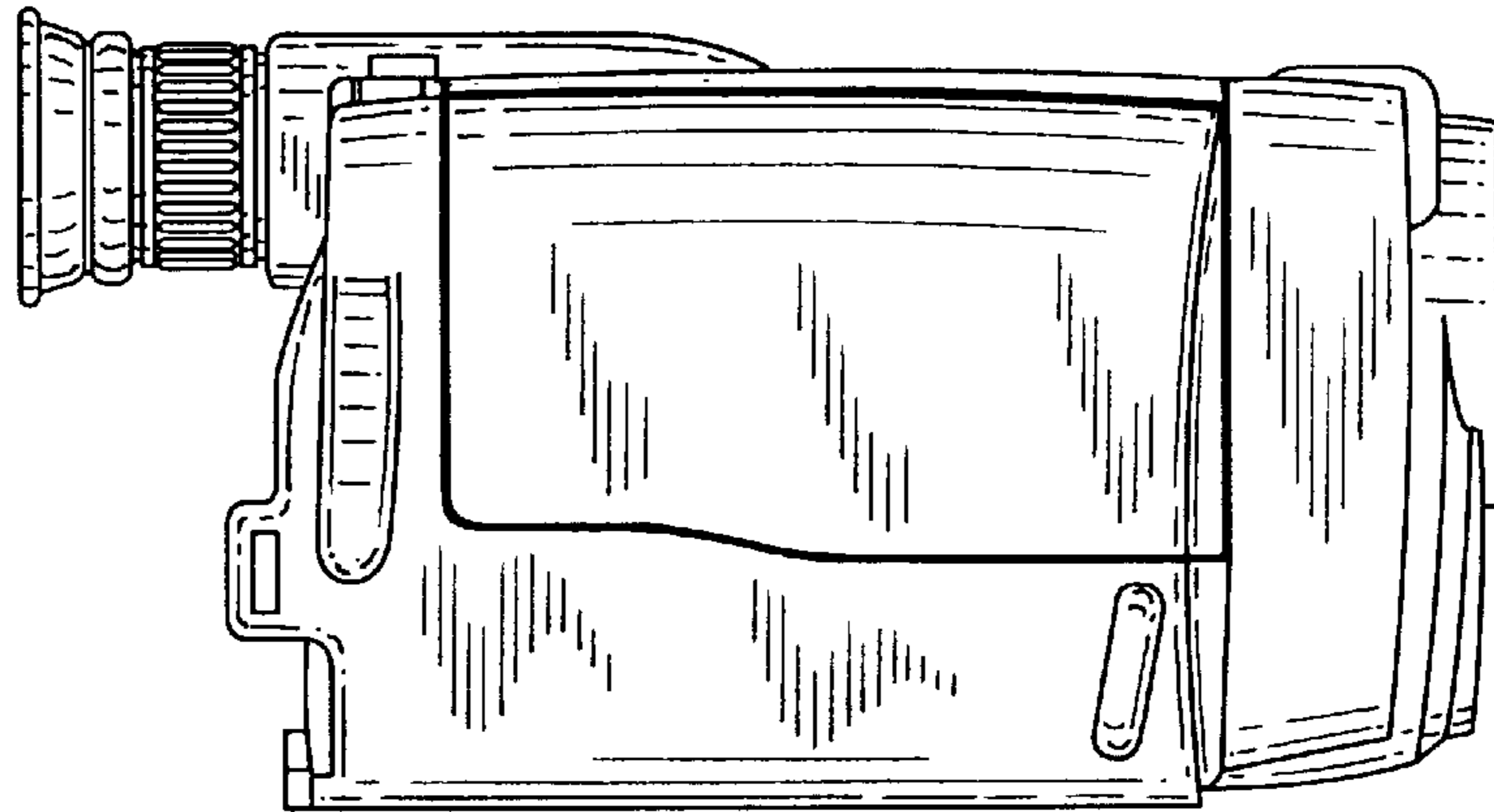
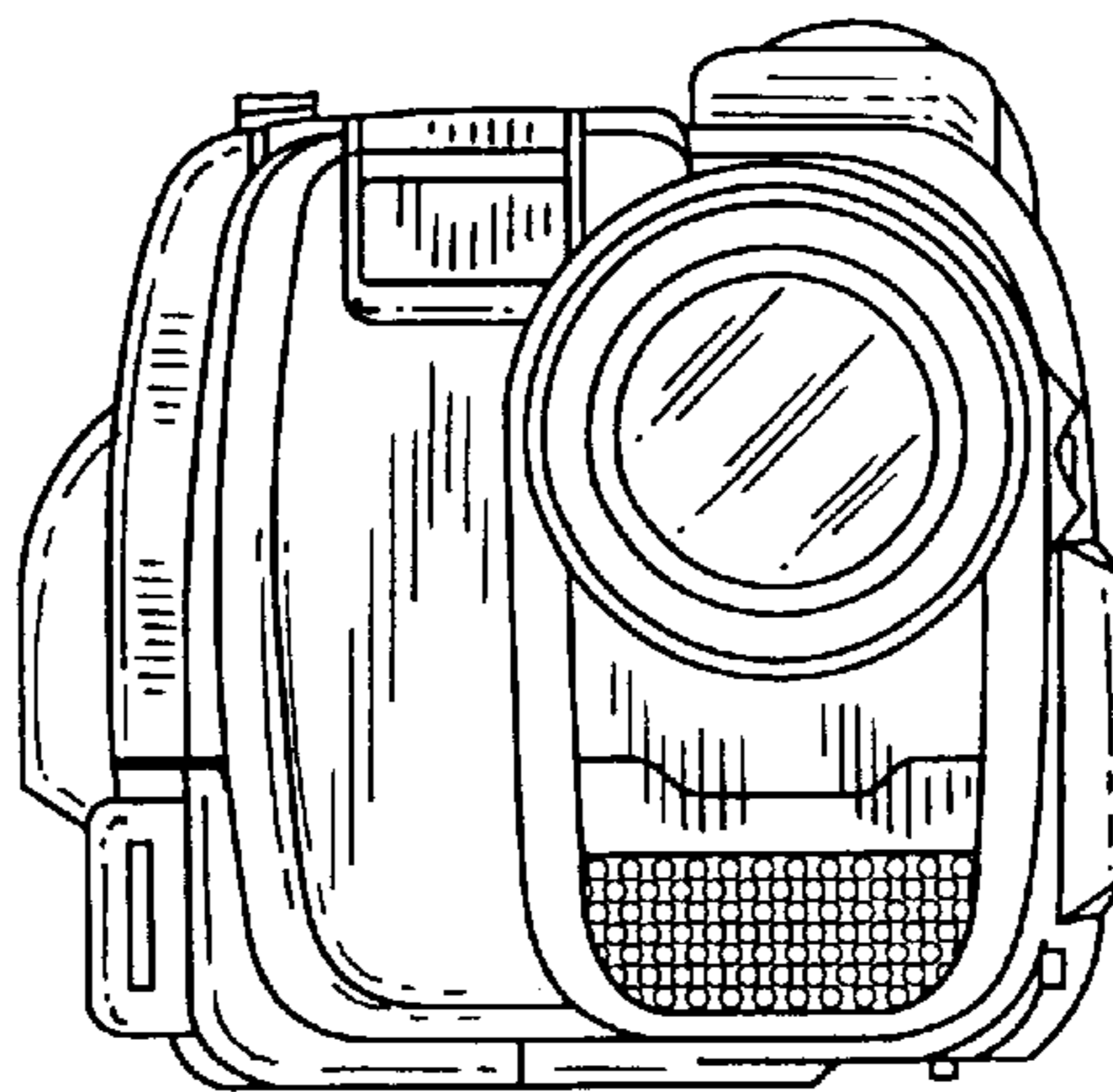


FIG. 8



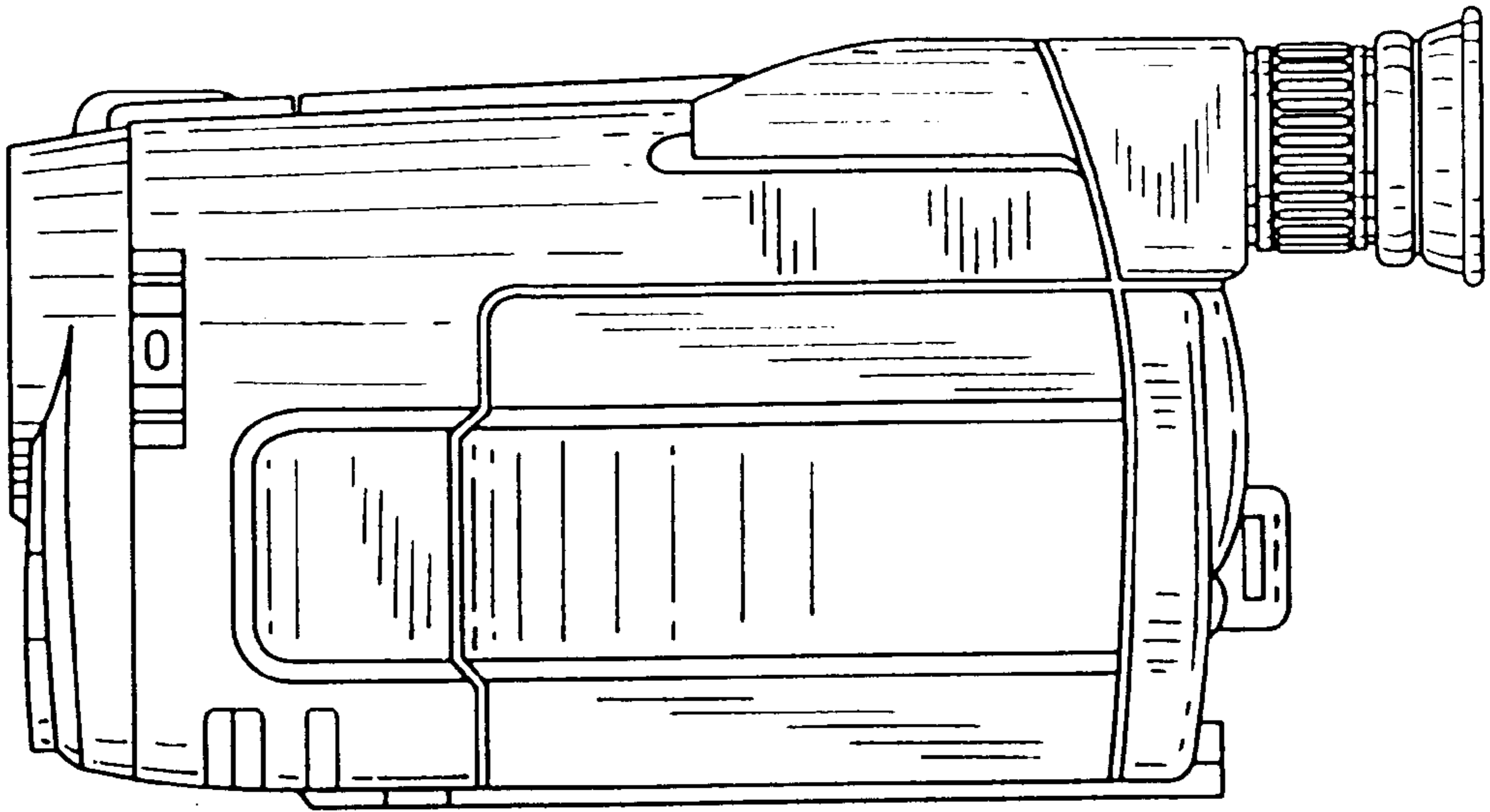


FIG. 9

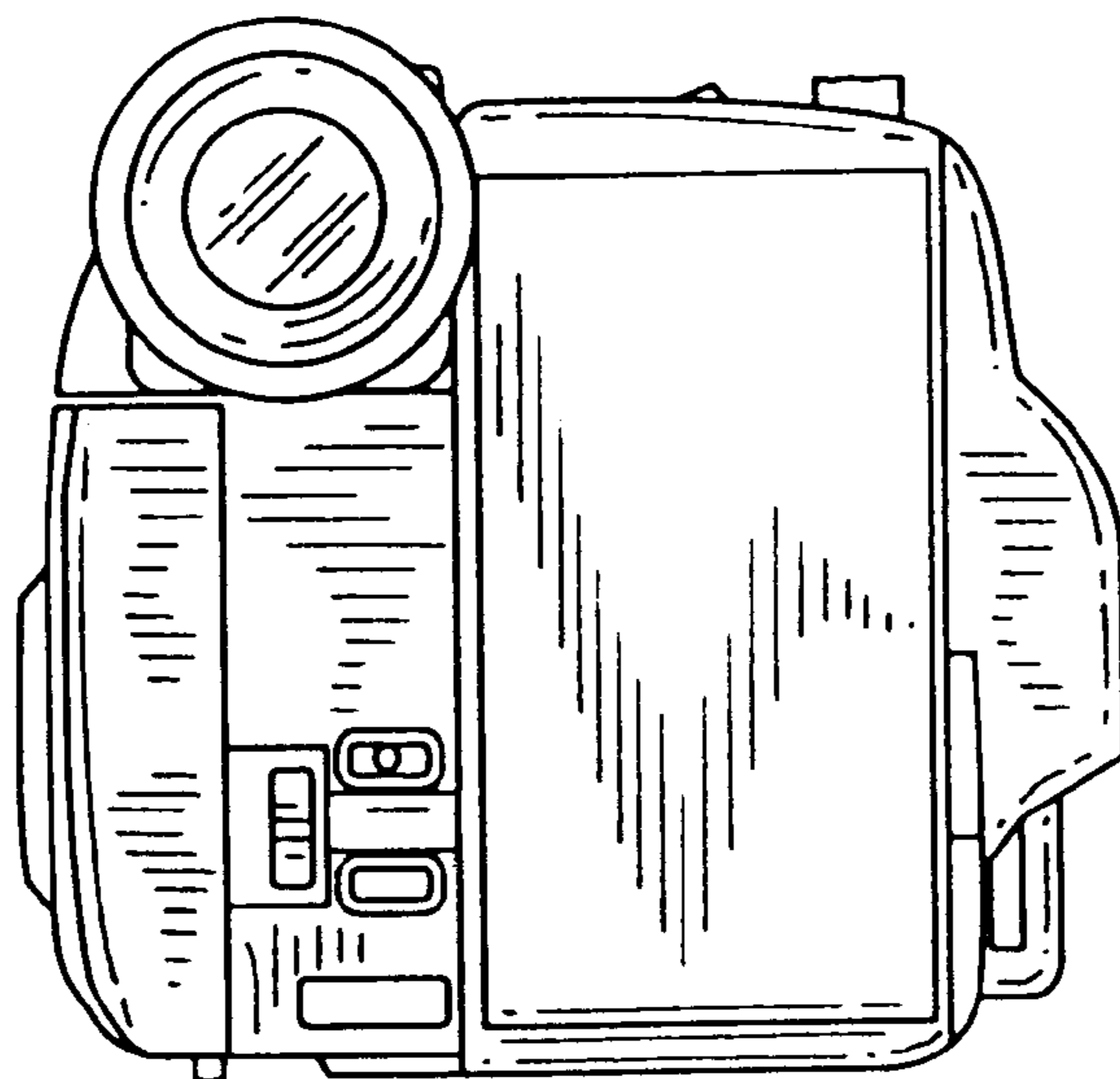


FIG. 10