



US00D413133S

United States Patent [19]
Maeyama

[11] **Patent Number: Des. 413,133**
[45] **Date of Patent: ** Aug. 24, 1999**

[54] **COMBINED VIDEO TAPE RECORDER AND CAMERA**

[75] Inventor: **Koichi Maeyama**, Tokyo, Japan
[73] Assignee: **Sony Corporation**, Tokyo, Japan
[**] Term: **14 Years**

[21] Appl. No.: **29/073,933**
[22] Filed: **Jul. 24, 1997**

[30] **Foreign Application Priority Data**

Feb. 3, 1997 [JP] Japan 9-2539

[51] **LOC (6) Cl.** **16-01**
[52] **U.S. Cl.** **D16/202**
[58] **Field of Search** D16/200-208;
348/373-376; 352/242, 243; 358/906; 396/535-543

[56] **References Cited**

U.S. PATENT DOCUMENTS

D. 350,360	9/1994	Masuda	D16/202
D. 355,664	2/1995	Kataoka	D16/202
D. 360,425	7/1995	Sato et al.	D16/202
D. 361,778	8/1995	Matsumura	D16/202
D. 372,255	7/1996	Nakamura	D16/202
D. 375,107	10/1996	Ishii	D16/202
D. 376,166	12/1996	Ishii	D16/202
D. 384,085	9/1997	Harata	D16/202
D. 385,568	10/1997	Harata	D16/202
D. 400,900	11/1998	Harata	D16/202
D. 401,256	11/1998	Harata	D16/202
5,305,030	4/1994	Yokoyama et al.	396/27
5,499,052	3/1996	Nakanishi et al.	348/373

FOREIGN PATENT DOCUMENTS

4-84571 3/1992 Japan .

OTHER PUBLICATIONS

Video Magazine Jan., 1993 p. 91 (Hitachi'VMH39a).
Camcorder, Miller Magazine, Inc., vol. 10, No. 10, p. 12 (Oct. 1994).
Handycam Catalog, Sony (Mar. 1996).
Handycam Catalog, Sony (Jun. 1996).
Visual Products Catalog, Sony (Jun. 1996).
Handycam Catalog, Sony (Dec. 1996).
Video Accessory Catalog, Sony (Apr. 1997).
Handycam Catalog, Sony (Apr. 1997).

Primary Examiner—Adir Aronovich
Attorney, Agent, or Firm—Foley & Lardner

[57] **CLAIM**

The ornamental design for a combined video tape recorder and camera, as shown and described.

DESCRIPTION

FIG. 1 is a top, front perspective view of a video camera combined with vide tape recorder showing my new design; FIG. 2 is a top, rear perspective view thereof the viewing screen shown in an extending away position; FIG. 3 is a top, rear perspective view thereof, the viewing screen shown in the first alternate position; FIG. 4 is a top, rear perspective view thereof, the viewing screen shown in the second alternate position; and FIG. 5 is a top, rear perspective view thereof, the viewing screen shown in the third alternate position; FIG. 6 is a top plan view of FIG. 1; FIG. 7 is a left side elevational view thereof; FIG. 8 is a front elevational view thereof; FIG. 9 is a right side elevational view thereof; FIG. 10 is a rear elevational view thereof; and, FIG. 11 is a bottom plan view thereof.

1 Claim, 9 Drawing Sheets

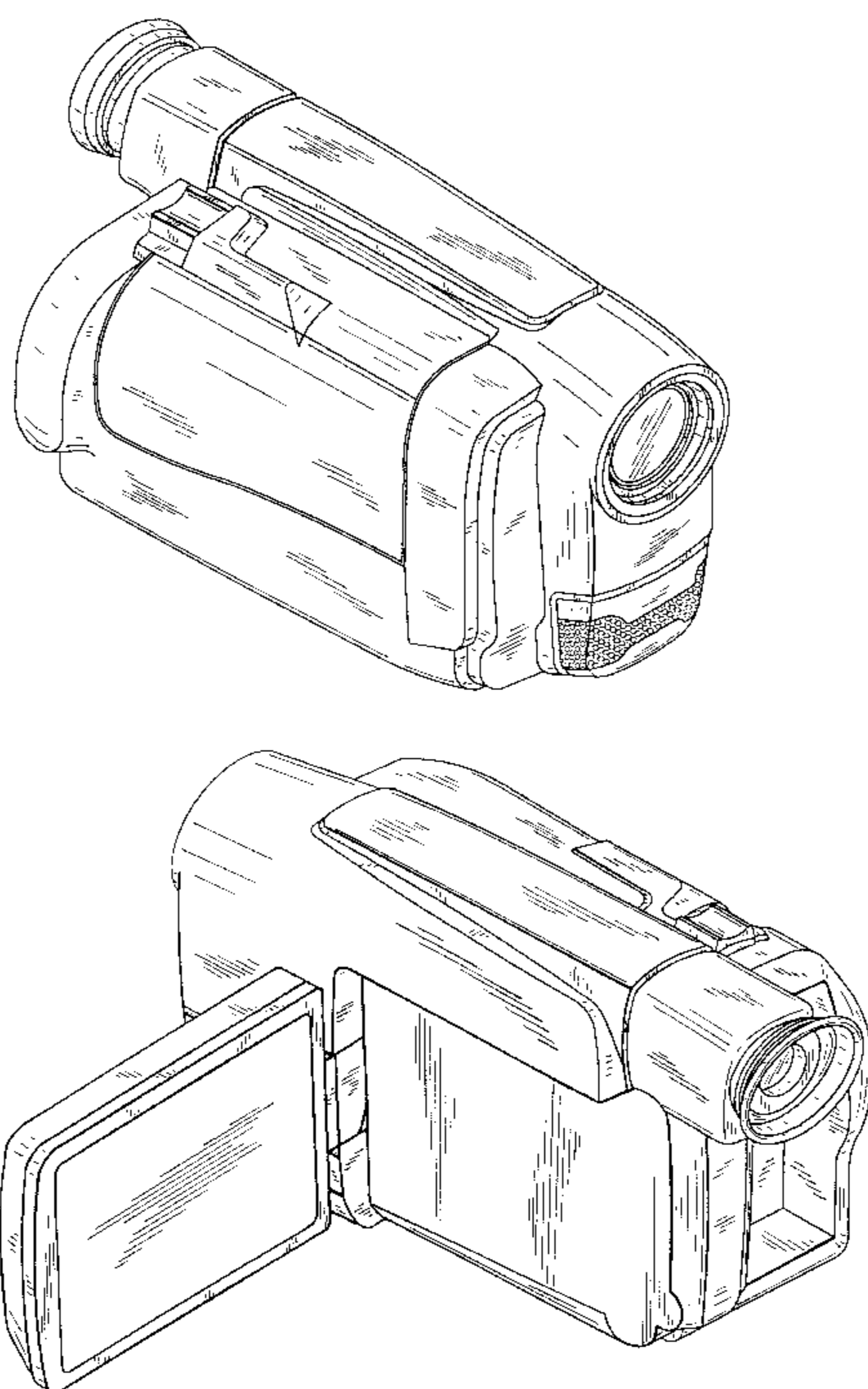


FIG. 1

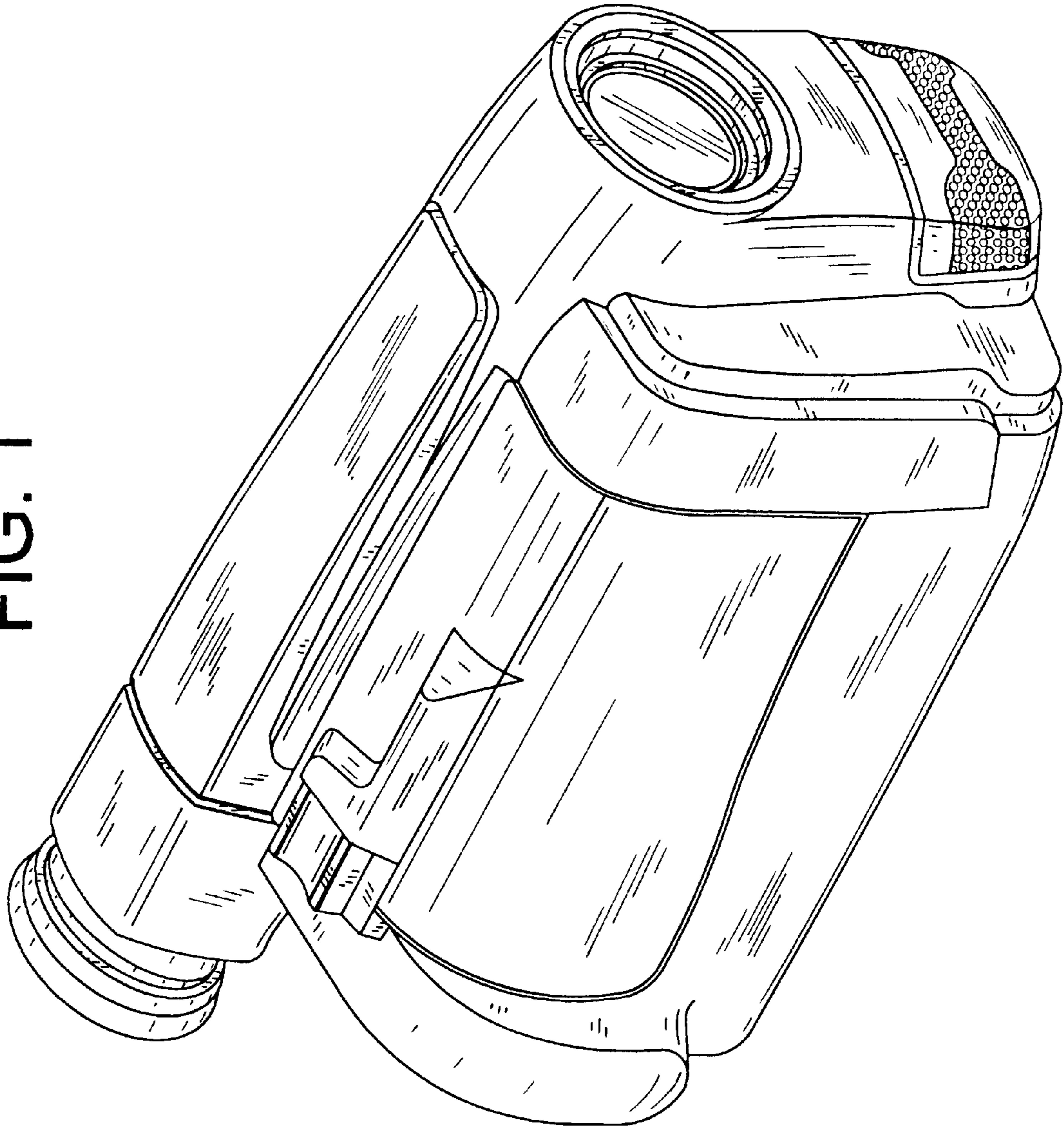


FIG. 2

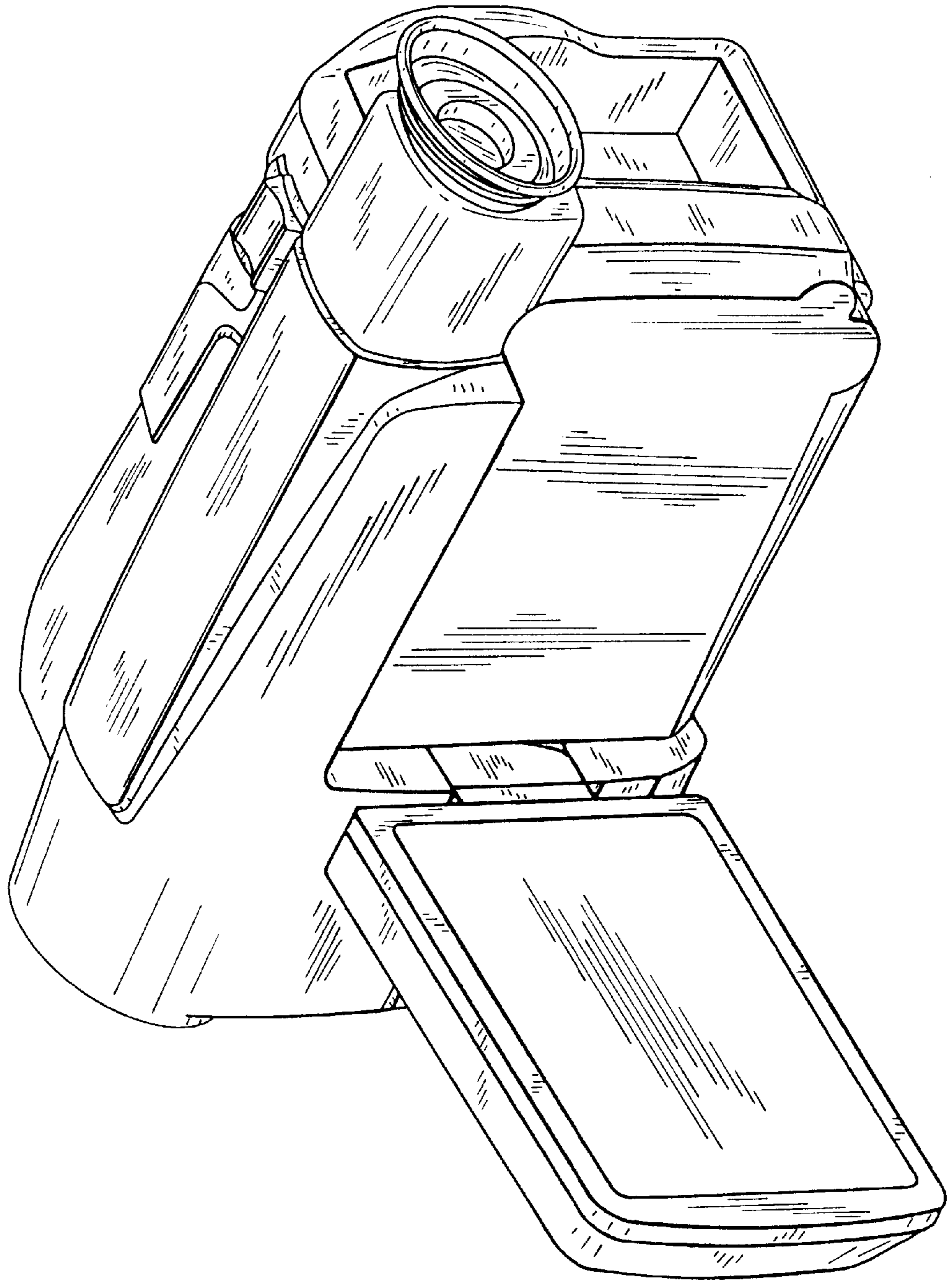


FIG. 3

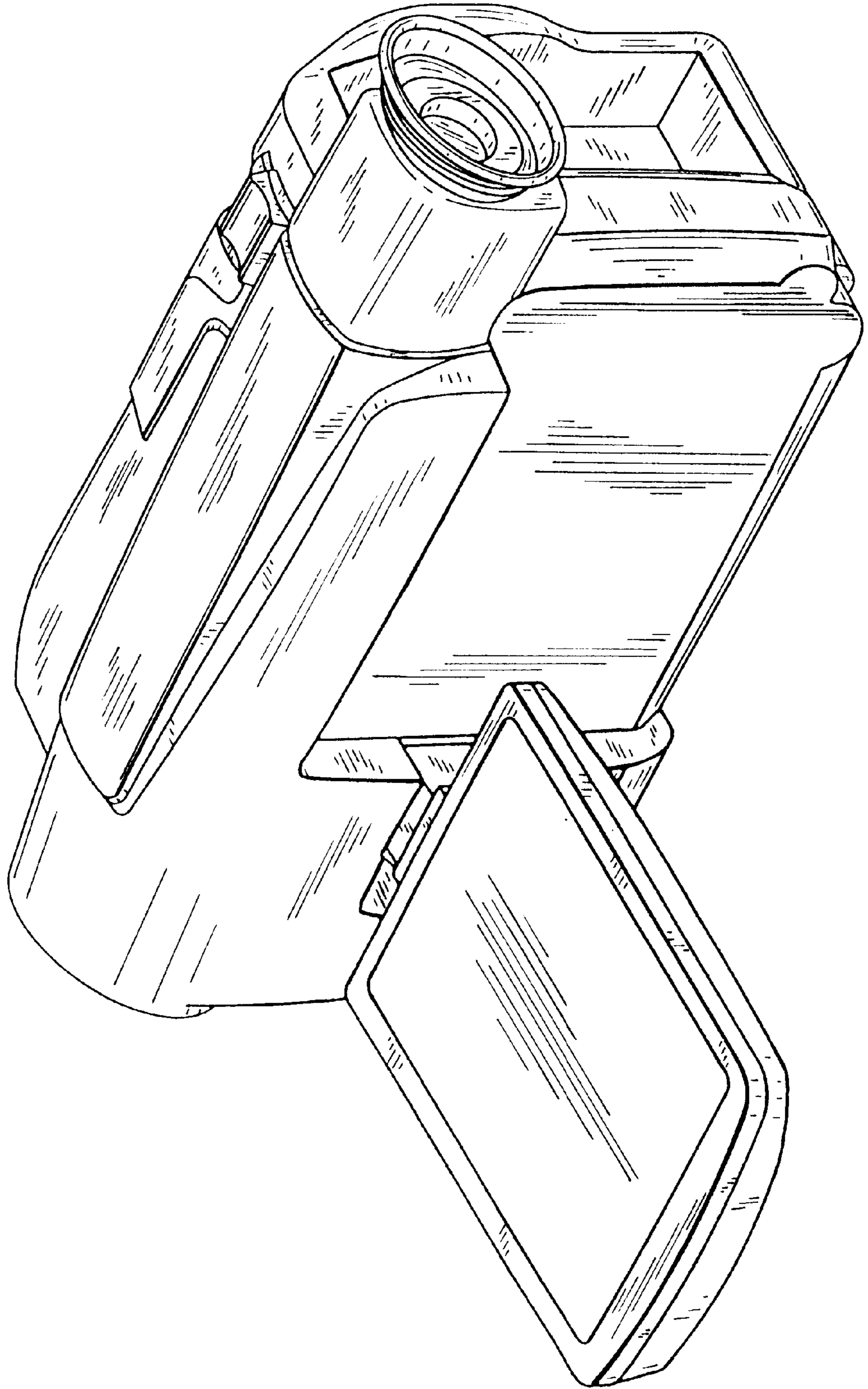


FIG. 4

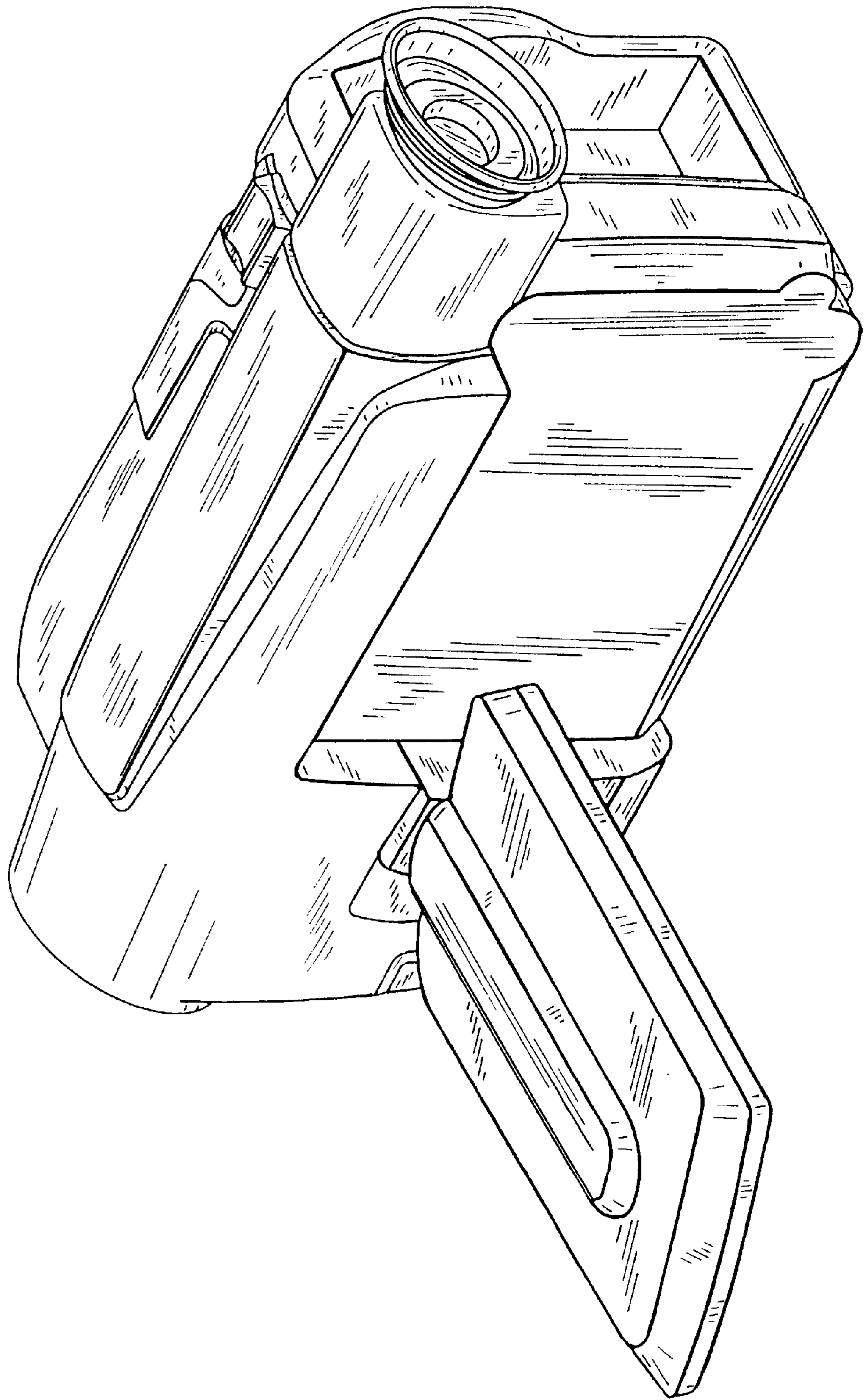


FIG. 5

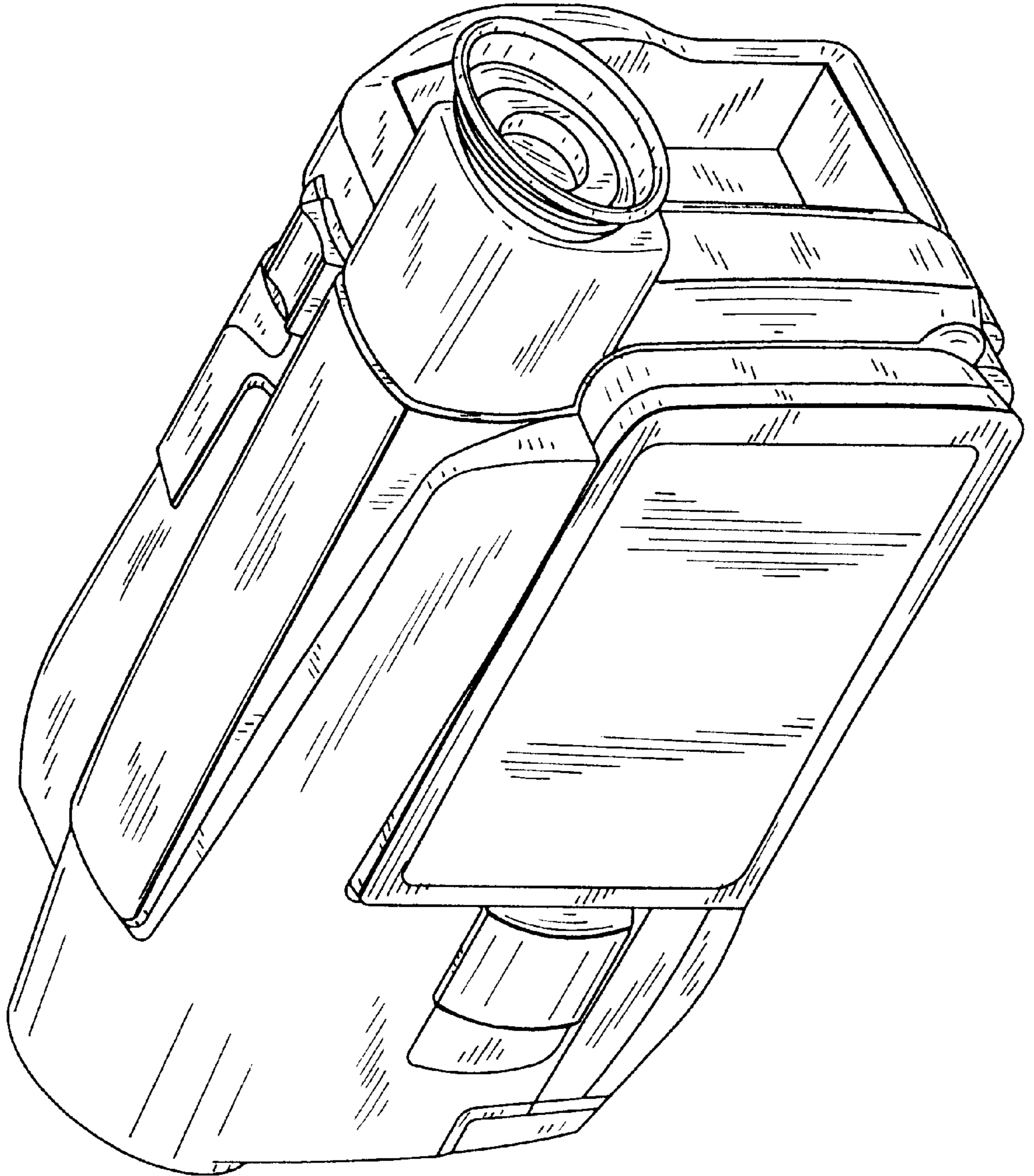


FIG. 6

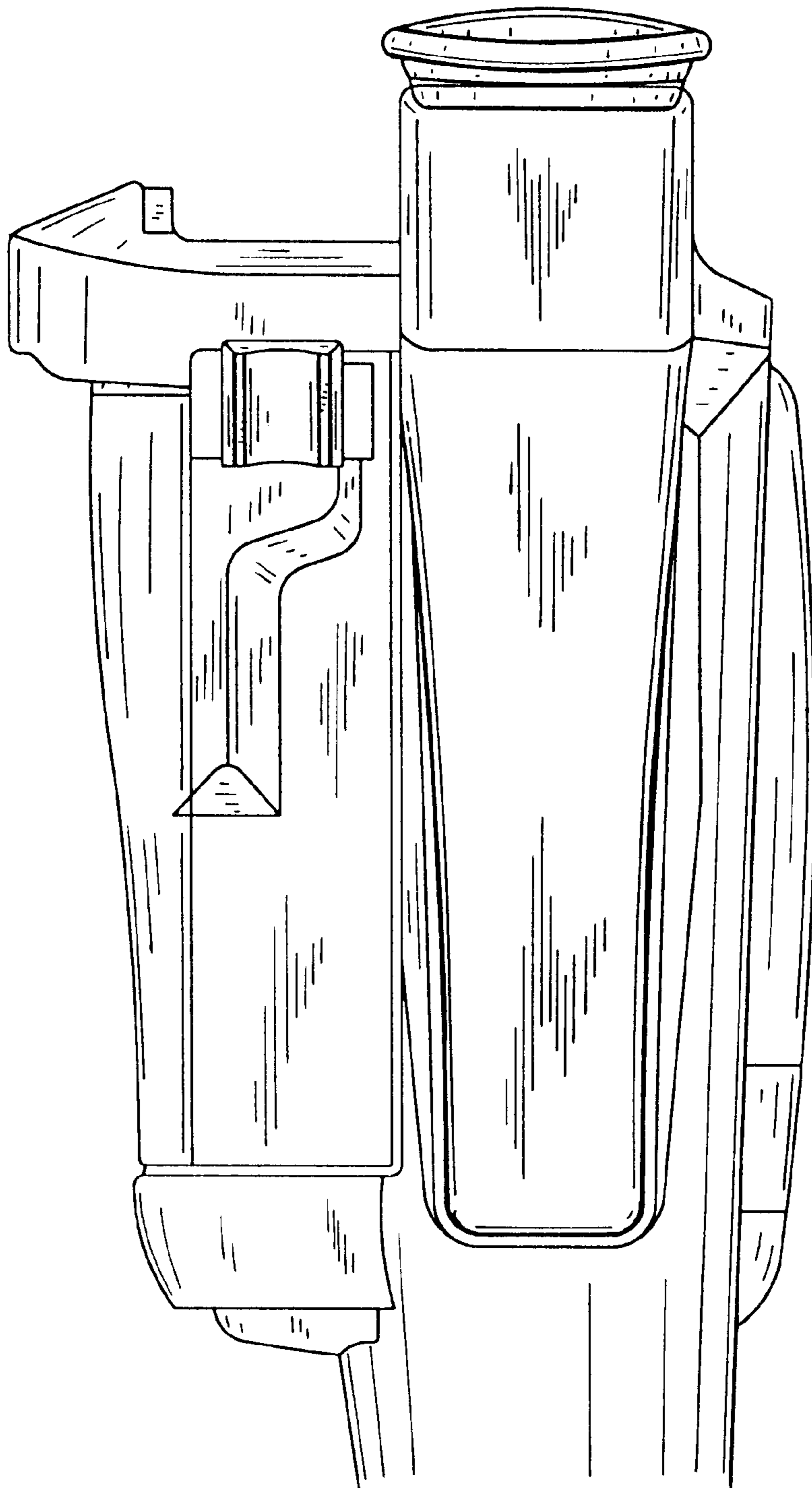


FIG. 8

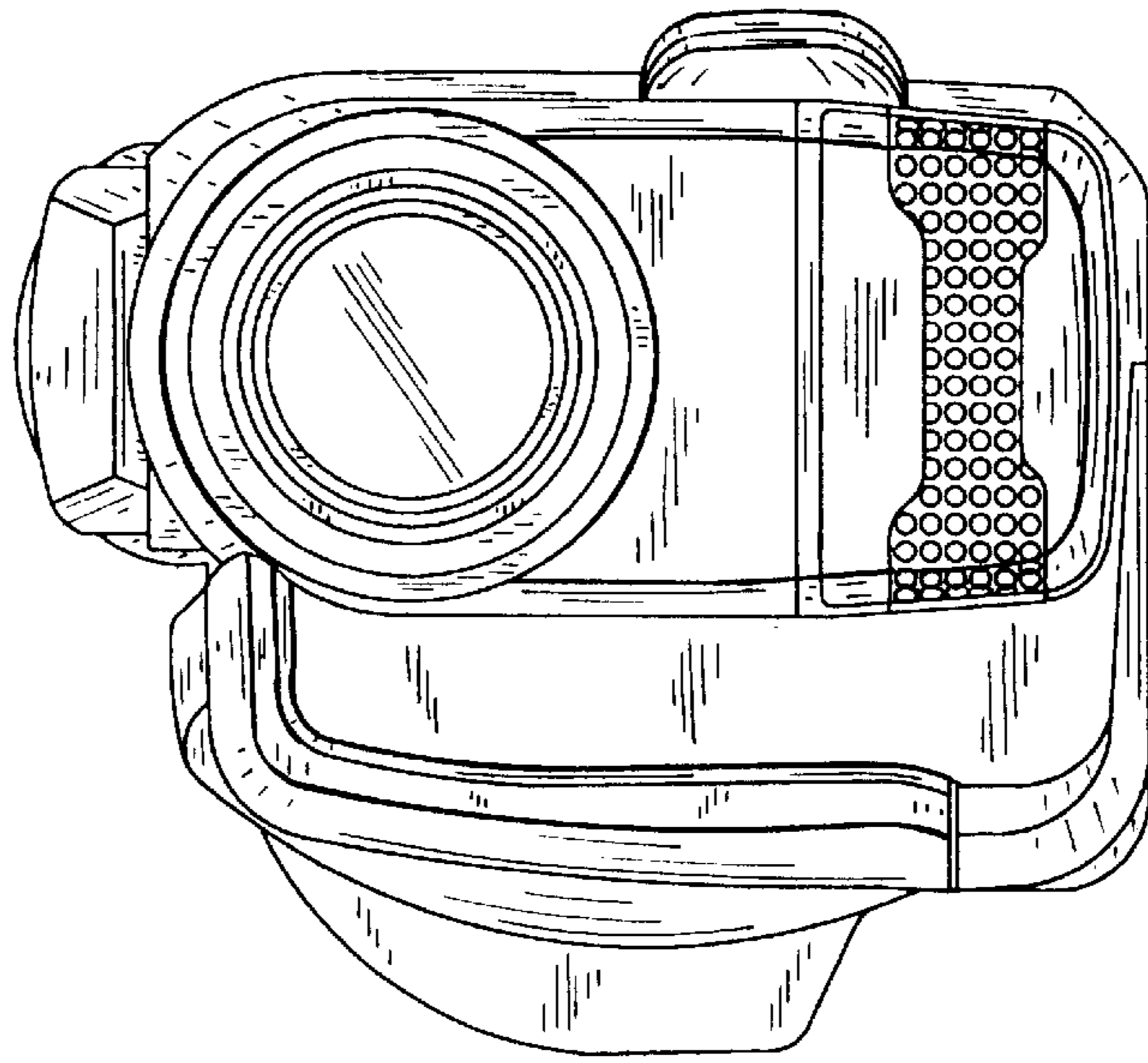


FIG. 7

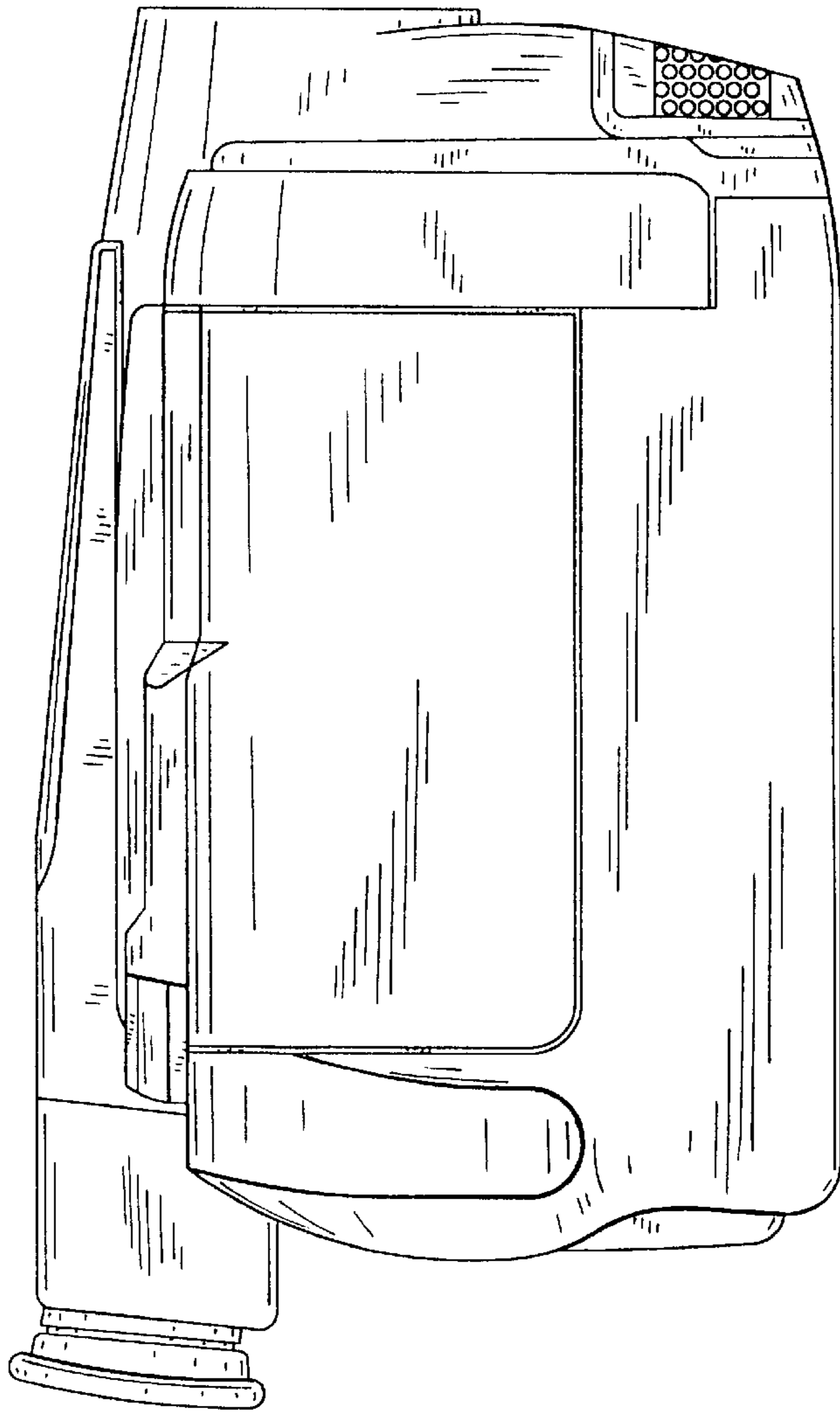


FIG. 10

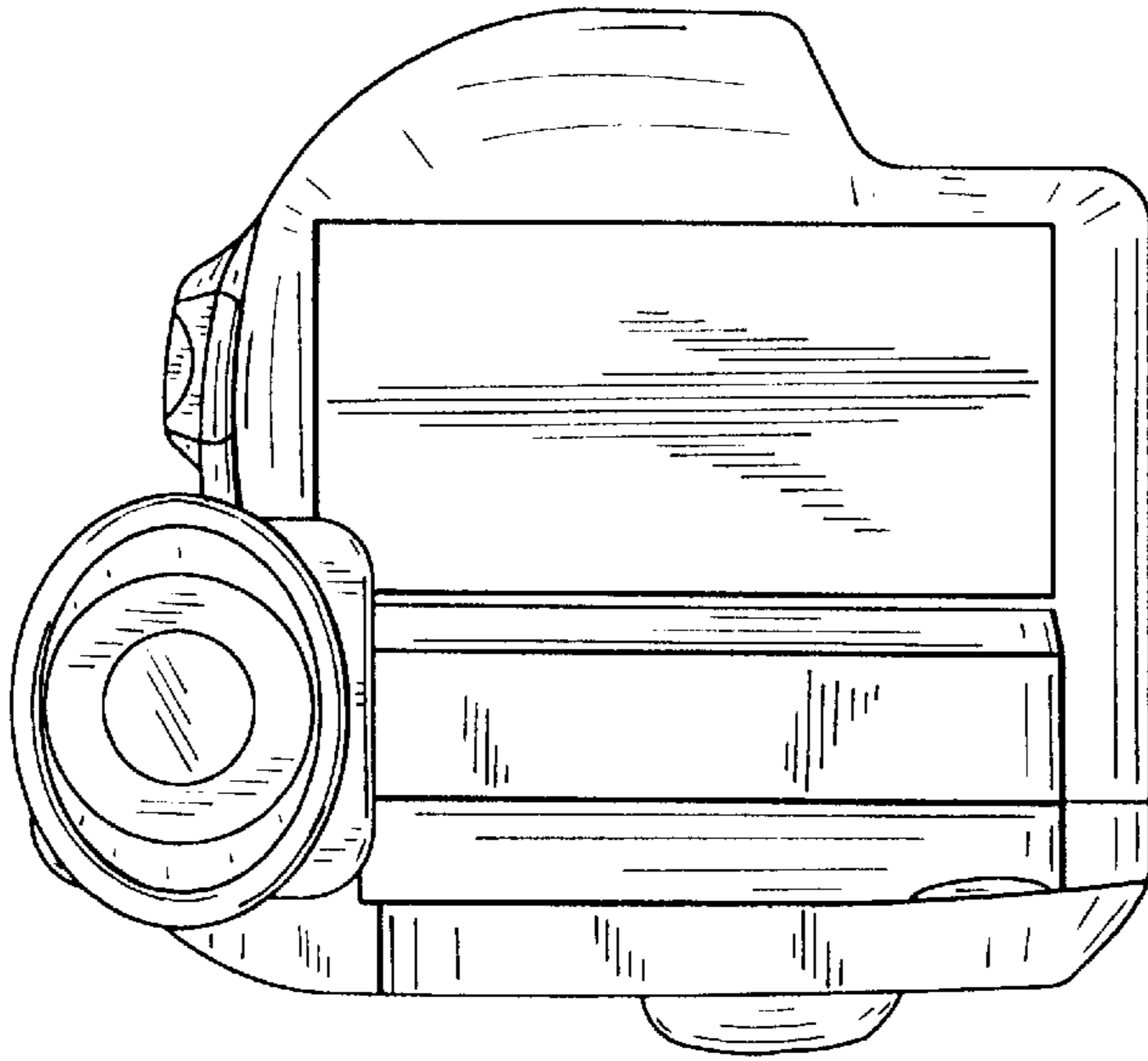


FIG. 9

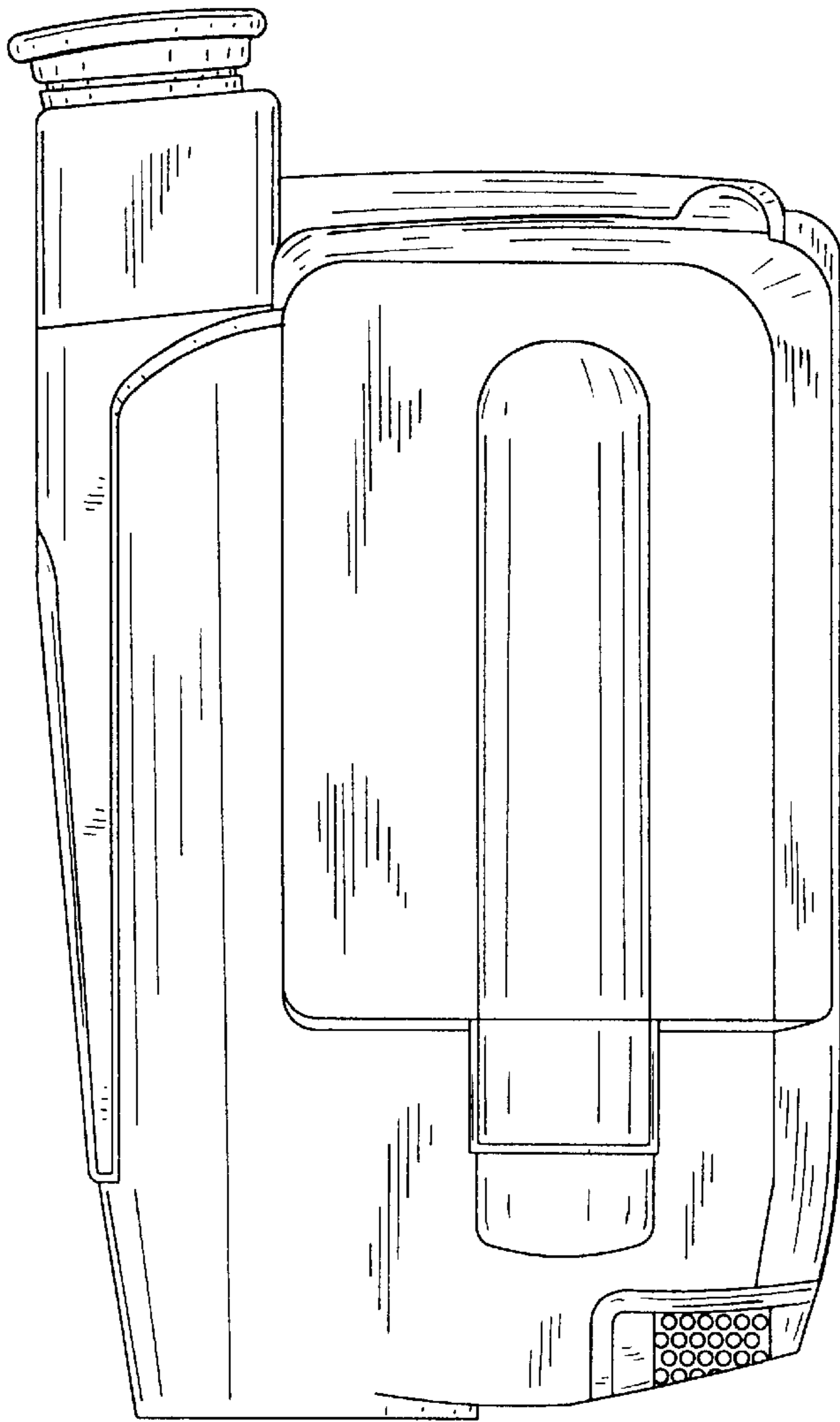


FIG. 11

