



US00D413131S

United States Patent [19] Koinuma

[11] **Patent Number: Des. 413,131**

[45] **Date of Patent: ** Aug. 24, 1999**

[54] **BINOCULARS**

[75] **Inventor: Masahiro Koinuma, Saitama, Japan**

[73] **Assignee: Asahi Kogaku Kogyo Kabishiki Kaisha, Tokyo, Japan**

[**] **Term: 14 Years**

[21] **Appl. No.: 29/098,566**

[22] **Filed: Dec. 31, 1998**

[30] **Foreign Application Priority Data**

Jul. 8, 1998 [JP] Japan 10-19715

[51] **LOC (6) Cl. 16-06**

[52] **U.S. Cl. D16/133**

[58] **Field of Search** D16/133; 359/407, 359/408, 409, 410, 411, 412, 413, 414, 415, 416, 417, 418, 480, 481, 482

[56] **References Cited**

U.S. PATENT DOCUMENTS

- D. 306,606 3/1990 Yamanaka et al. D16/133
- D. 359,973 7/1995 Hayamizu D16/133
- D. 364,631 11/1995 Hamamura D16/133
- D. 376,164 12/1996 Hasegawa et al. D16/133
- D. 376,167 12/1996 Hayamizu D16/133
- D. 377,185 1/1997 Nojima D16/133
- D. 386,770 11/1997 Ryuen et al. D16/133

- D. 394,666 5/1998 Ono D16/133
- D. 399,859 10/1998 Hasegawa D16/133
- D. 406,597 3/1999 Kimura et al. D16/133
- 5,583,692 12/1996 Funatsu 359/413 X
- 5,583,693 12/1996 Funatsu 359/407 X
- 5,644,426 7/1997 Hotta 359/409

Primary Examiner—Paula A. Mortimer
Attorney, Agent, or Firm—Sughrue, Mion, Zinn, Macpeak & Seas, PLLC

[57] **CLAIM**

The ornamental design for binoculars, as shown and described.

DESCRIPTION

FIG. 1 is a perspective view of the top, front and right side of binoculars showing my new design;
 FIG. 2 is a right side elevational view thereof, the opposite side being a mirror image thereof;
 FIG. 3 is a top plan view thereof;
 FIG. 4 is a front elevational view thereof;
 FIG. 5 is a rear elevational view thereof;
 FIG. 6 is a bottom plan view thereof;
 FIG. 7 is a side elevational view in a stored position;
 FIG. 8 is a top plan view in a stored position;
 FIG. 9 is a front elevational view in a stored position;
 FIG. 10 is a front elevational view in a stored position; and,
 FIG. 11 is a top plan view in a stored position.

1 Claim, 6 Drawing Sheets

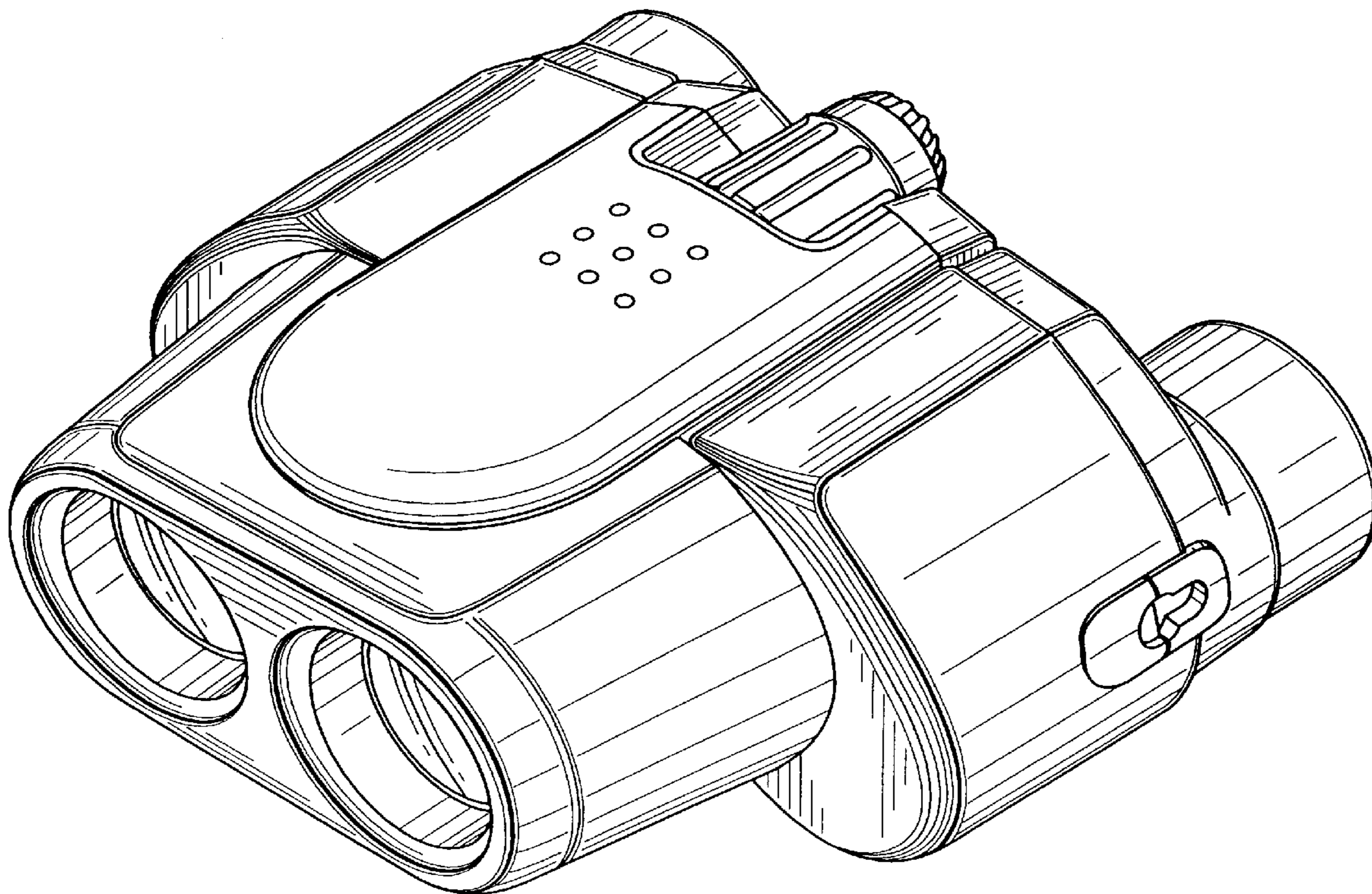


FIG. 1

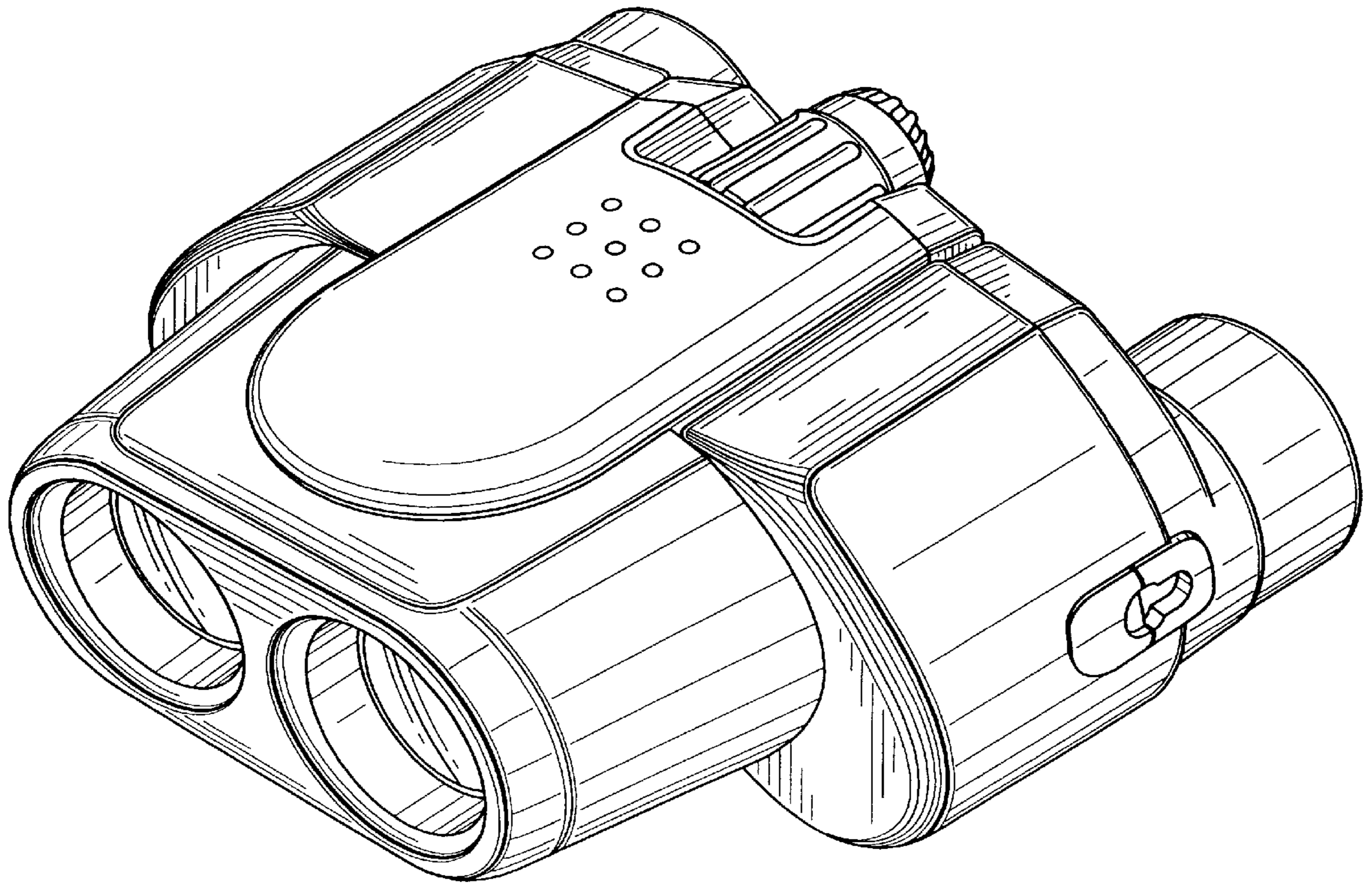


FIG. 2

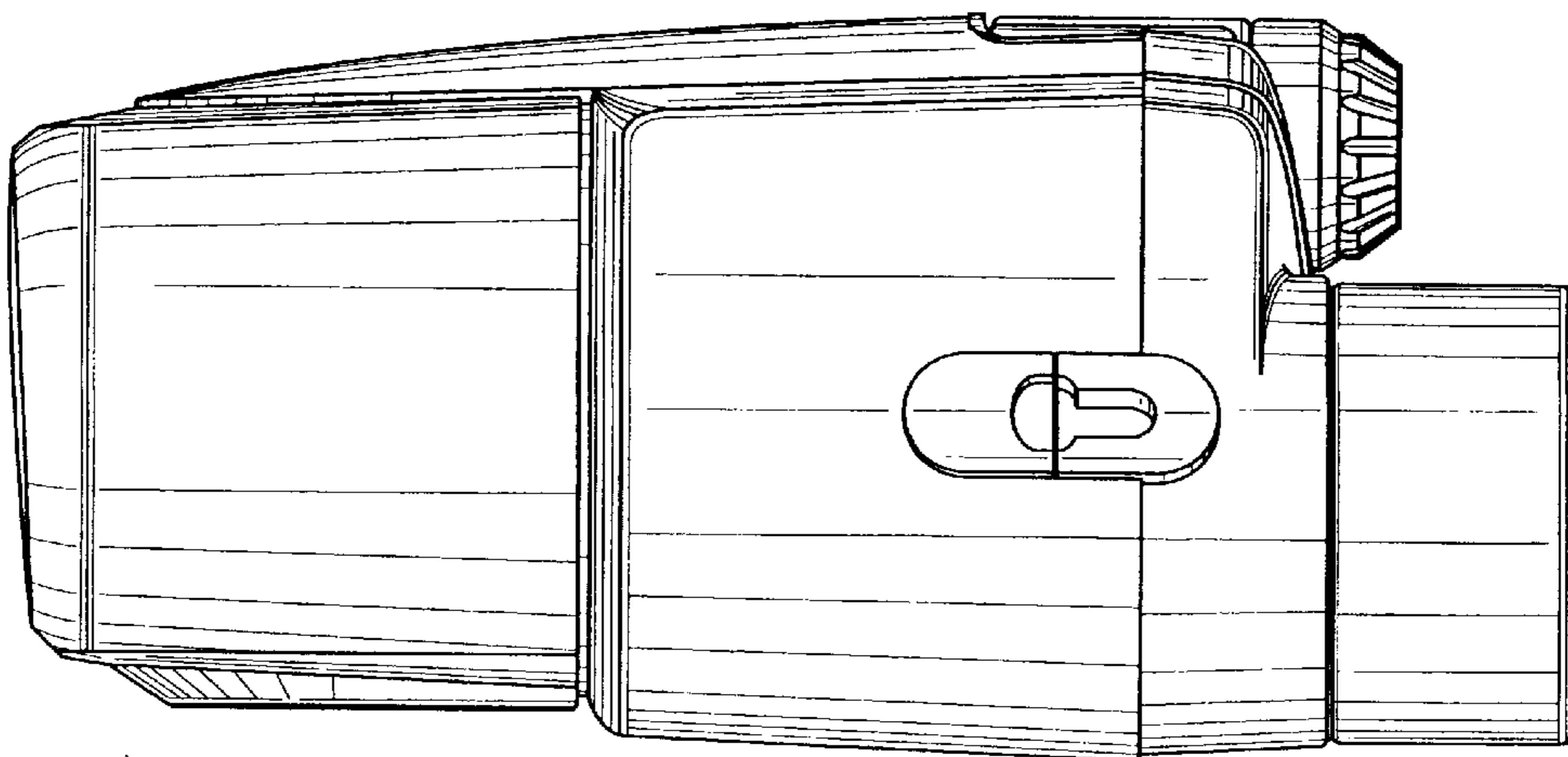


FIG. 3

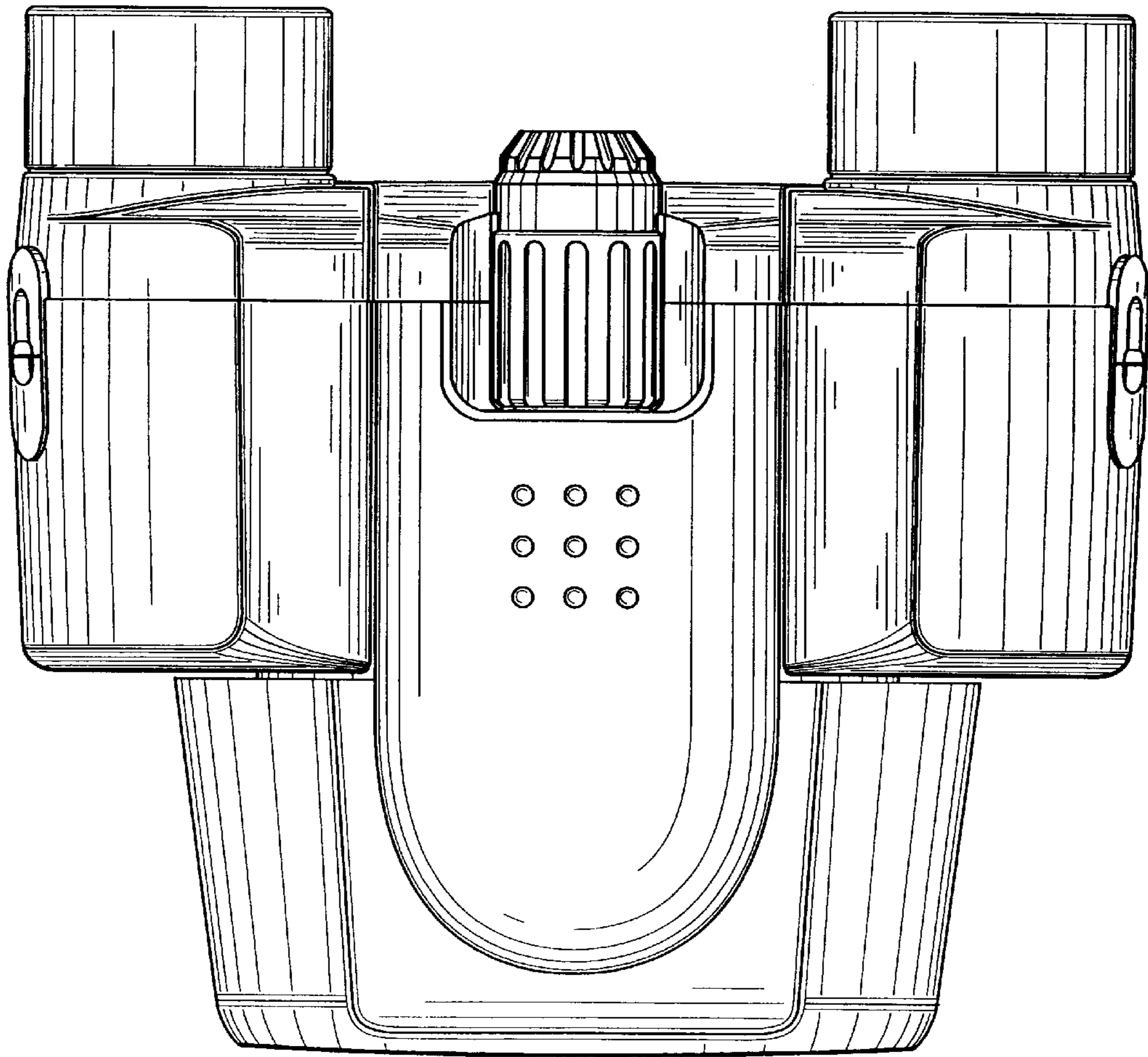


FIG. 4

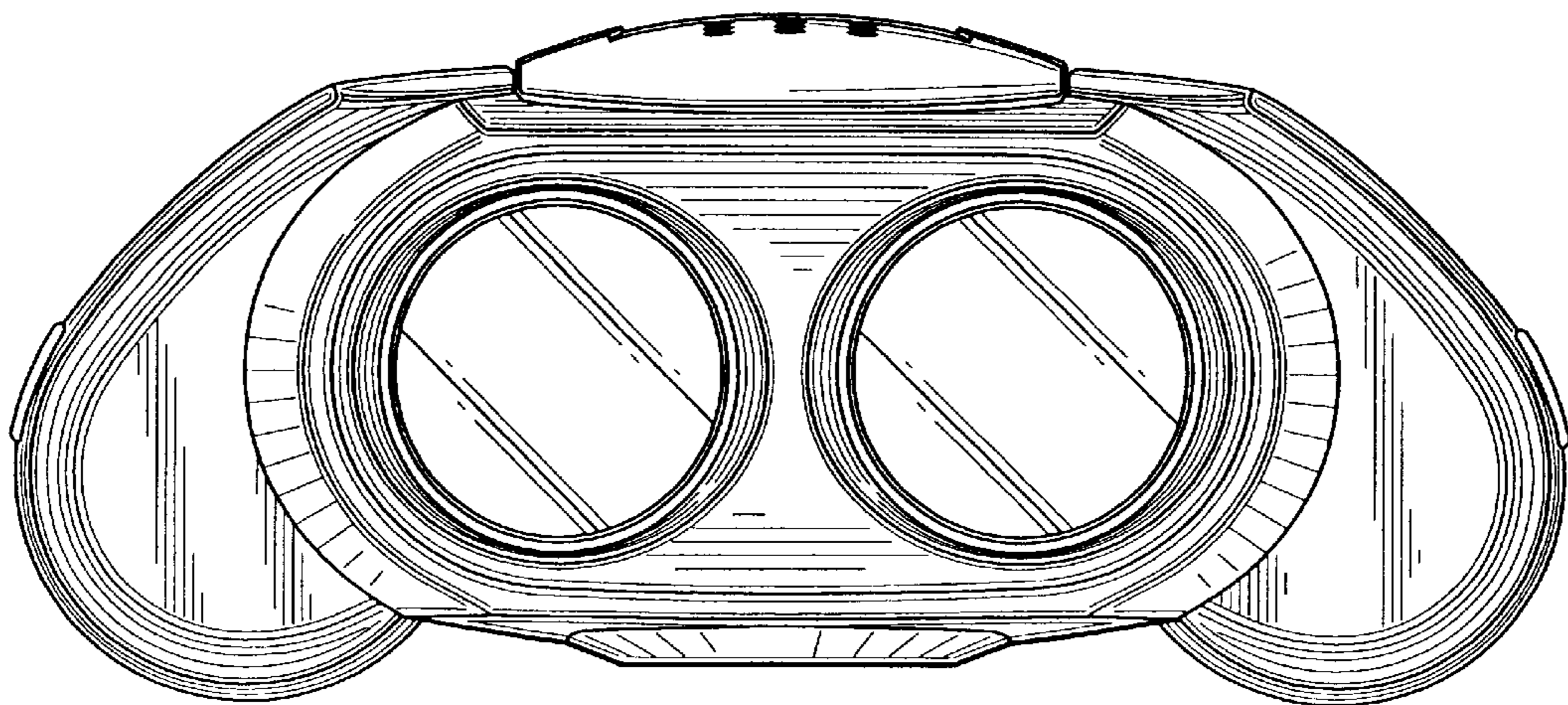


FIG. 5

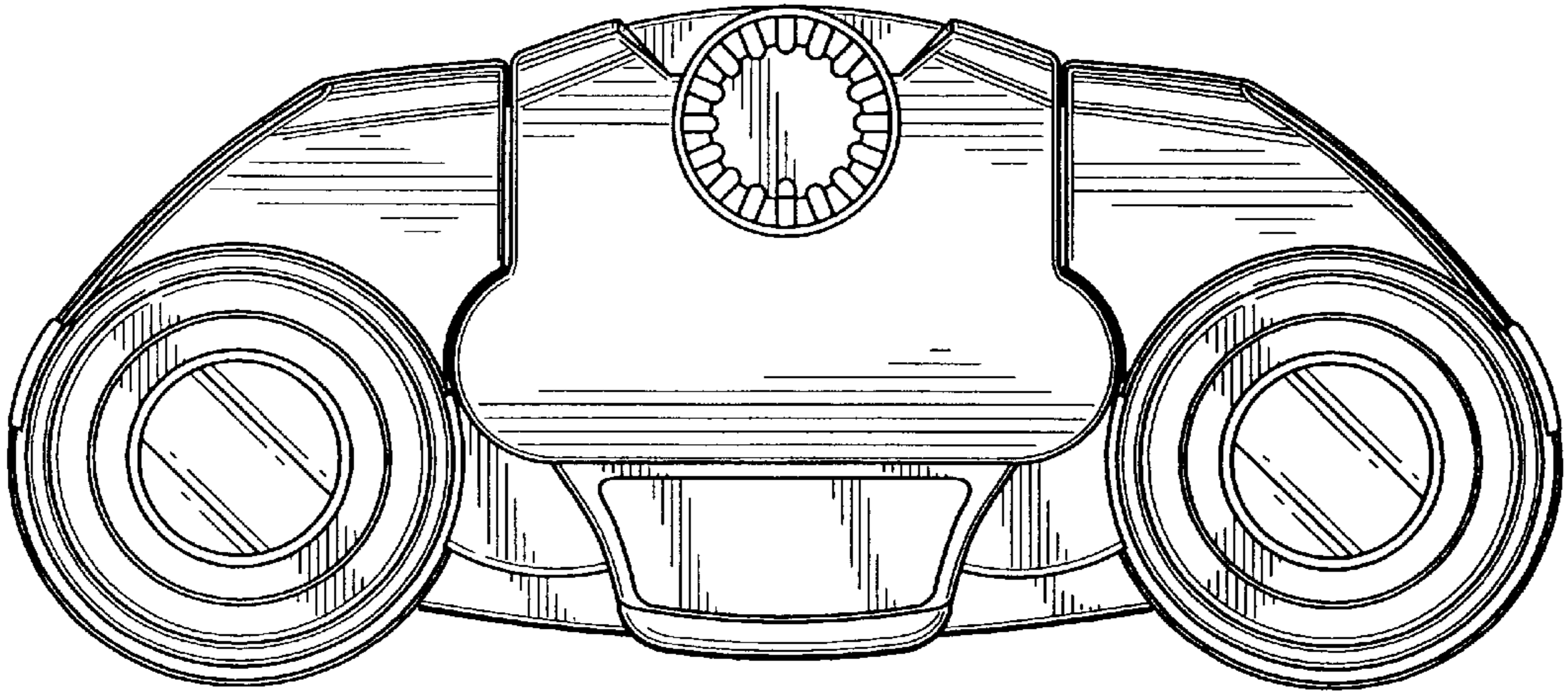


FIG. 6

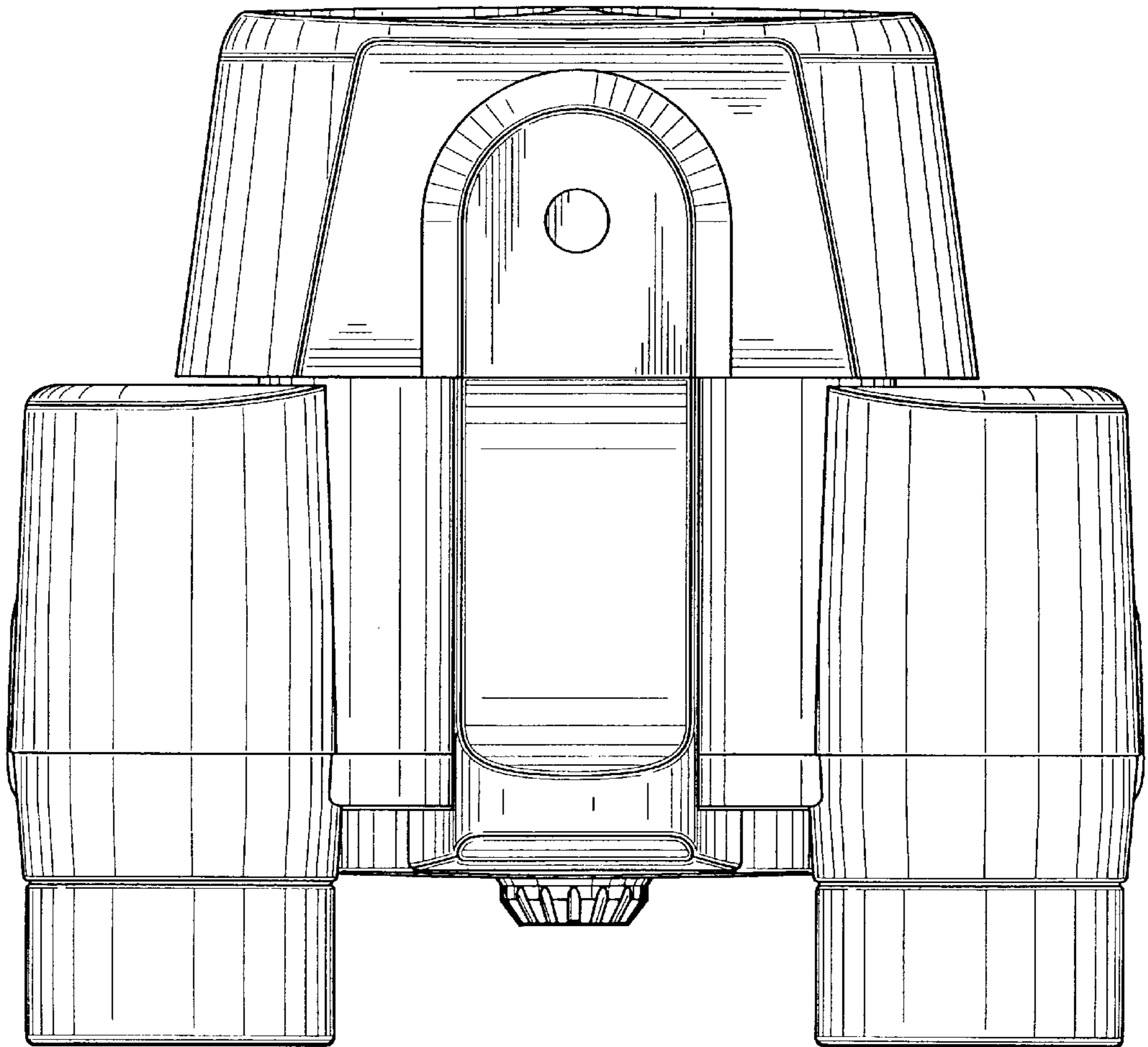


FIG. 7

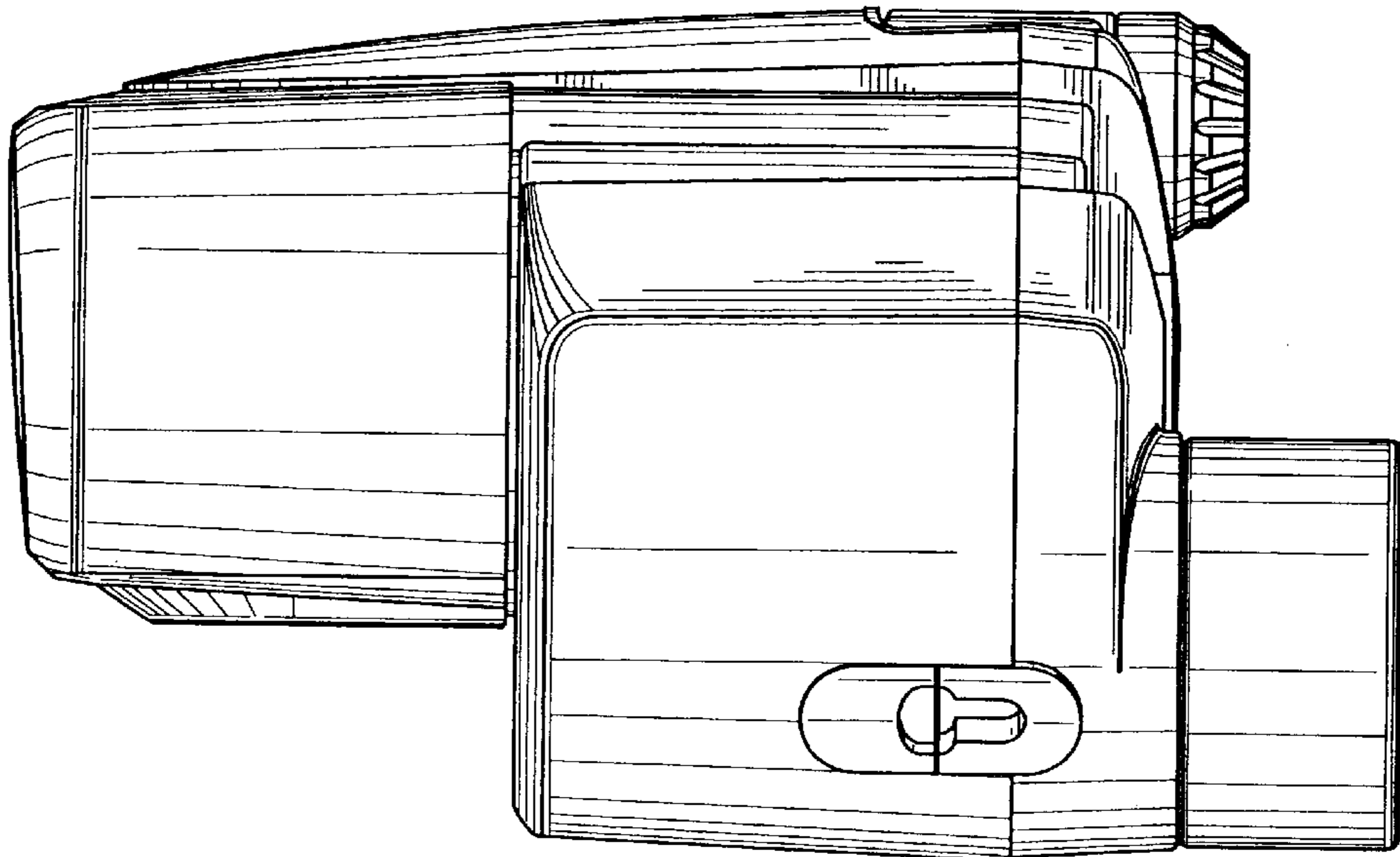


FIG. 8

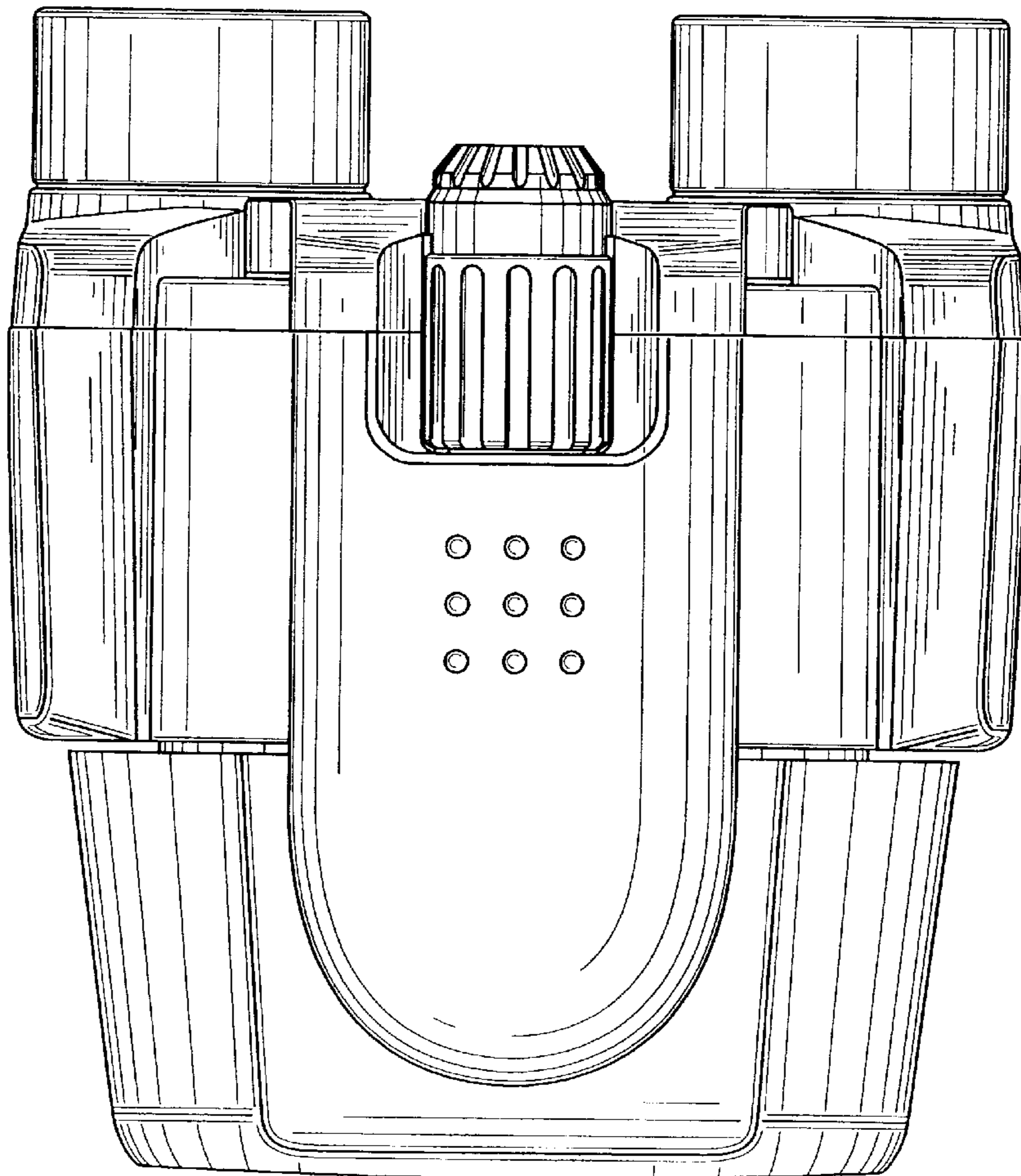


FIG. 9

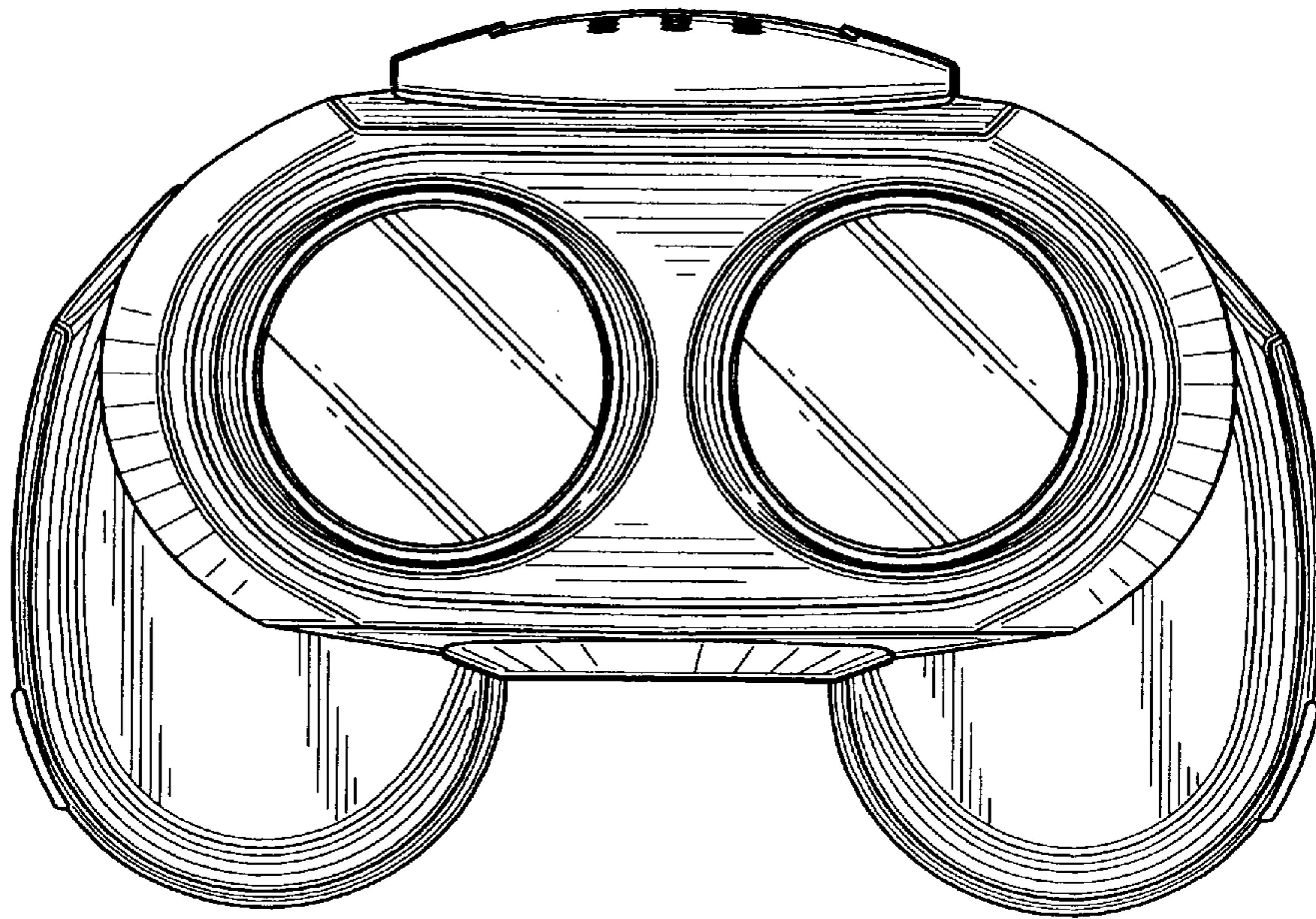


FIG. 10

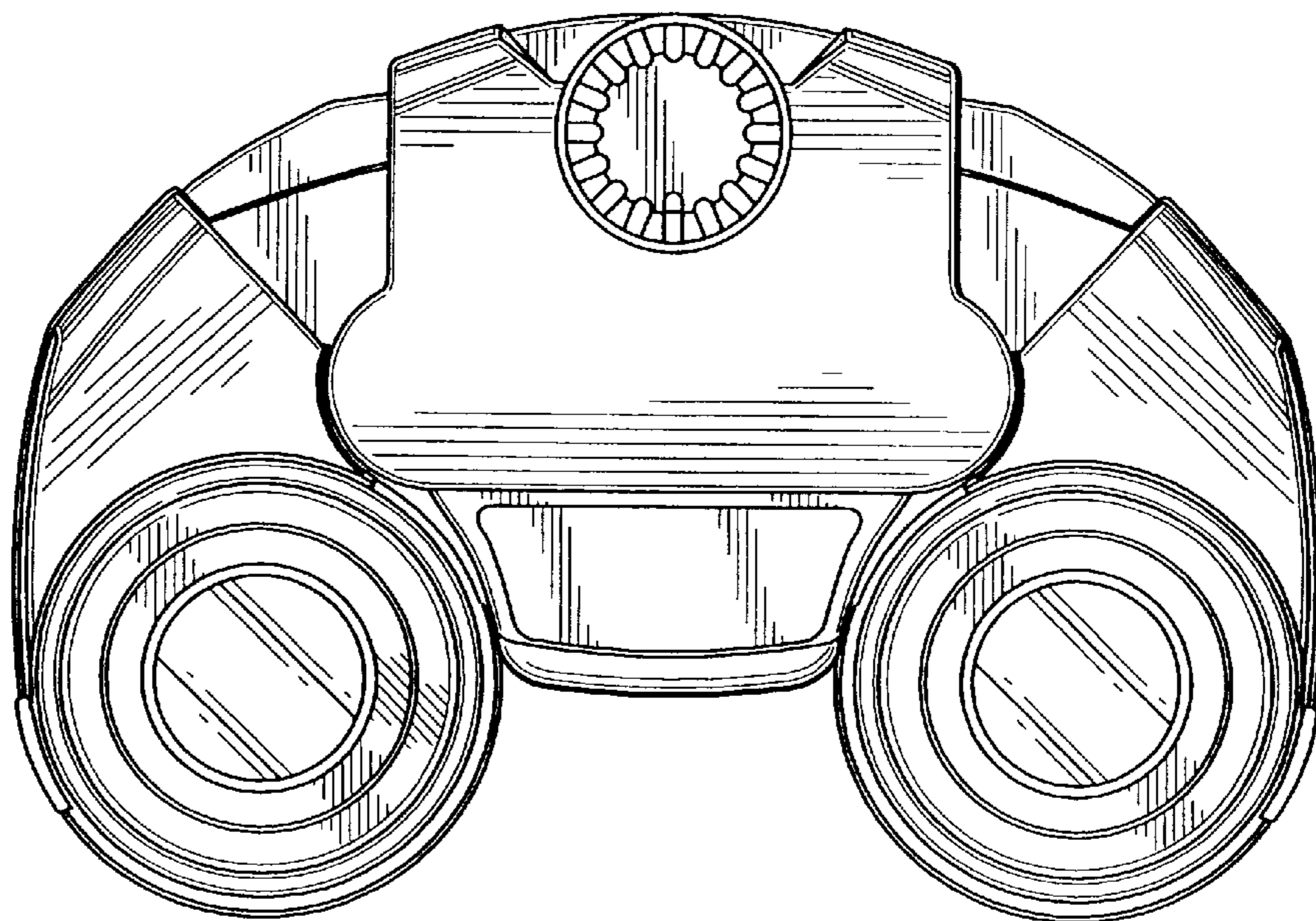


FIG. 11

