



US00D413130S

United States Patent [19]

[11] Patent Number: Des. 413,130

Bryant et al.

[45] Date of Patent: ** Aug. 24, 1999

[54] **COMBINED NIGHT VISION MONOCULAR WITH HEAD OR HELMET AND SMALL ARMS MOUNTING ADAPTER**

[75] Inventors: **Mark Alan Bryant; Roger Douglas Whiddon; Harrison Lewis Buchanan, Jr.; Lapthe Chau Flora**, all of Roanoke; **John Carl Nelson**, Salem, all of Va.; **Bradley Todd Philippi**, Bristol, Tenn.

[73] Assignee: **ITT Manufacturing Enterprises, Inc.**, Wilmington, Del.

[**] Term: **14 Years**

[21] Appl. No.: **29/086,392**

[22] Filed: **Apr. 13, 1998**

[51] **LOC (6) Cl.** **16-06**

[52] **U.S. Cl.** **D16/132; D16/136**

[58] **Field of Search** **D16/130-136, D16/202, 311; D14/100, 113; D21/240; 33/233, 241, 245, 246; 345/7, 8; 359/405, 407, 409, 411, 412, 413, 815; 250/214 VT**

[56] **References Cited**

U.S. PATENT DOCUMENTS

D. 272,916	3/1984	Tomatsuri et al.	D16/132
D. 312,089	11/1990	Jörlöv	D16/132
D. 337,320	7/1993	Hunter et al.	D14/113
D. 351,397	10/1994	Dor	D16/130
D. 352,727	11/1994	Dor	D16/130
D. 369,367	4/1996	Tomita	D16/132
D. 369,613	5/1996	Palmer	D16/132
D. 390,581	2/1998	Palmer	D16/130
D. 394,664	5/1998	Konno	D16/132
5,535,053	7/1996	Baril et al.	359/409
5,757,339	5/1998	Williams et al.	345/8

Primary Examiner—Paula A. Mortimer
Attorney, Agent, or Firm—Arthur L. Plevy; Saul Elbaum

[57] **CLAIM**

The ornamental design for a combined night vision monocular with head or helmet and small arms mounting adapter, as shown and described.

DESCRIPTION

FIG. 1 is a top plan view of a combined night vision monocular with head or helmet and small arms mounting

adapter showing our new design, the head or helmet and small arms mounting adapters are omitted for ease of illustration;

FIG. 2 is a left side elevational view thereof;

FIG. 3 is a bottom plan view thereof;

FIG. 4 is a right side elevational view thereof;

FIG. 5 is a front elevational view thereof;

FIG. 6 is a rear elevational view thereof;

FIG. 7 is a left front isometric view thereof;

FIG. 8 is a right front isometric view thereof;

FIG. 9 is a left rear isometric view thereof;

FIG. 10 is a right rear isometric view thereof;

FIG. 11 is a top isometric view of the head or helmet mounting adapter for a combined night vision monocular with head or helmet and small arms mounting adapter, shown separately for purposes of illustration;

FIG. 12 is a bottom isometric view thereof;

FIG. 13 is a top plan view of the head or helmet mounting adapter thereof in an alternate position, the broken line showing of the additional two head or helmet mounting adapters is for illustrative purposes only and forms no part of the claimed design;

FIG. 14 is a front elevational view of a combined night vision monocular with head or helmet and small arms mounting adapter, with head or helmet mounting adapter attached in position for the right eye view, the small arms mounting adapter is omitted for ease of illustration;

FIG. 15 is a front elevational view of FIG. 14 with the head or helmet mounting adapter in position for the left eye view;

FIG. 16 is a right front isometric view of FIG. 14;

FIG. 17 is a left front isometric view of FIG. 15;

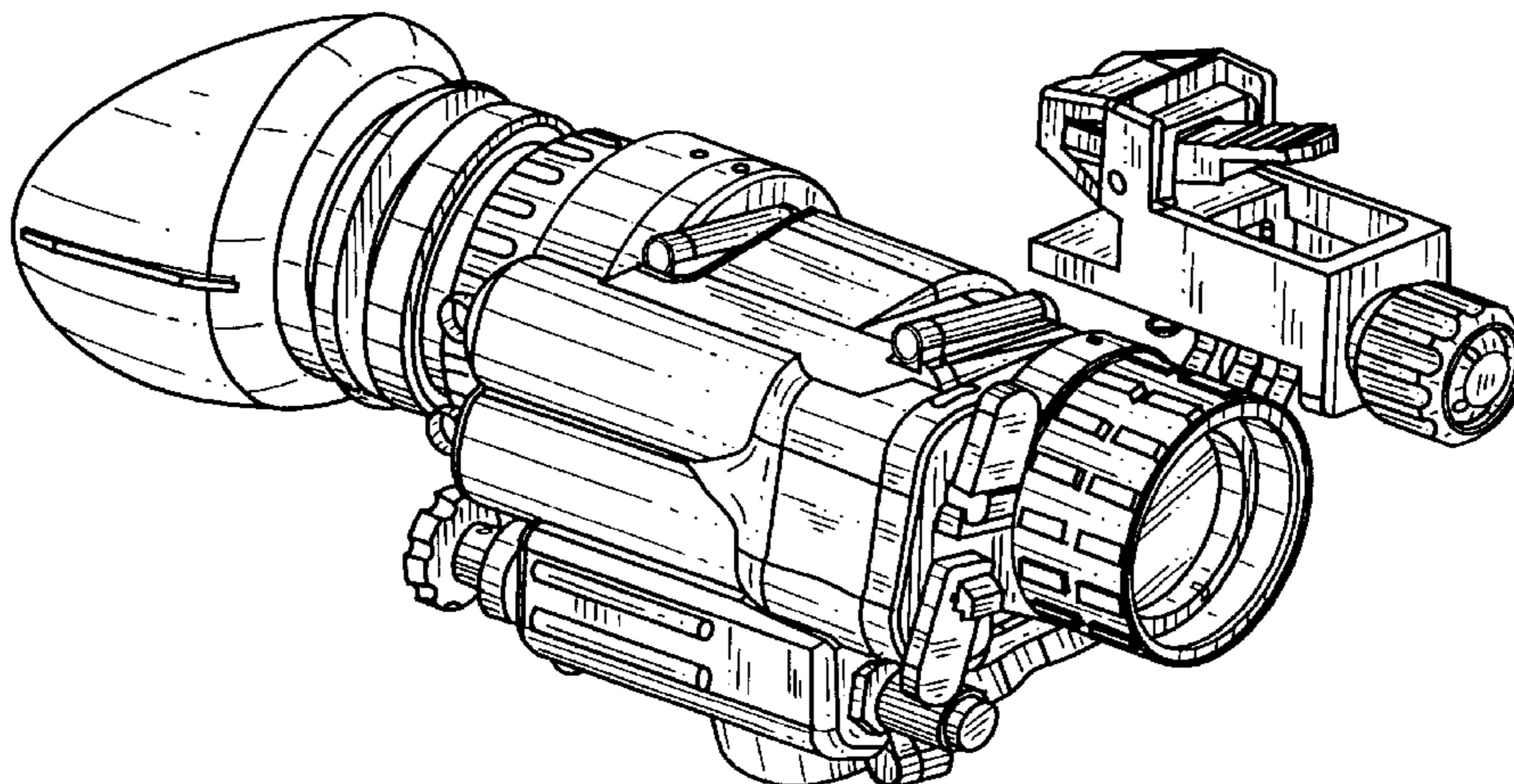
FIG. 18 is a left front isometric view of the small arms mounting adapter for the combined night vision monocular with head or helmet and small arms mounting adapter shown separately for ease of illustration;

FIG. 19 is a bottom isometric view of FIG. 18;

FIG. 20 is a right side elevational view of a modified form of a second embodiment of a combined night vision monocular with head or helmet and small arms mounting adapter showing our new design; the head or helmet mounting adapter is omitted for ease of illustration; and,

FIG. 21 is a right front isometric view of FIG. 20.

1 Claim, 11 Drawing Sheets



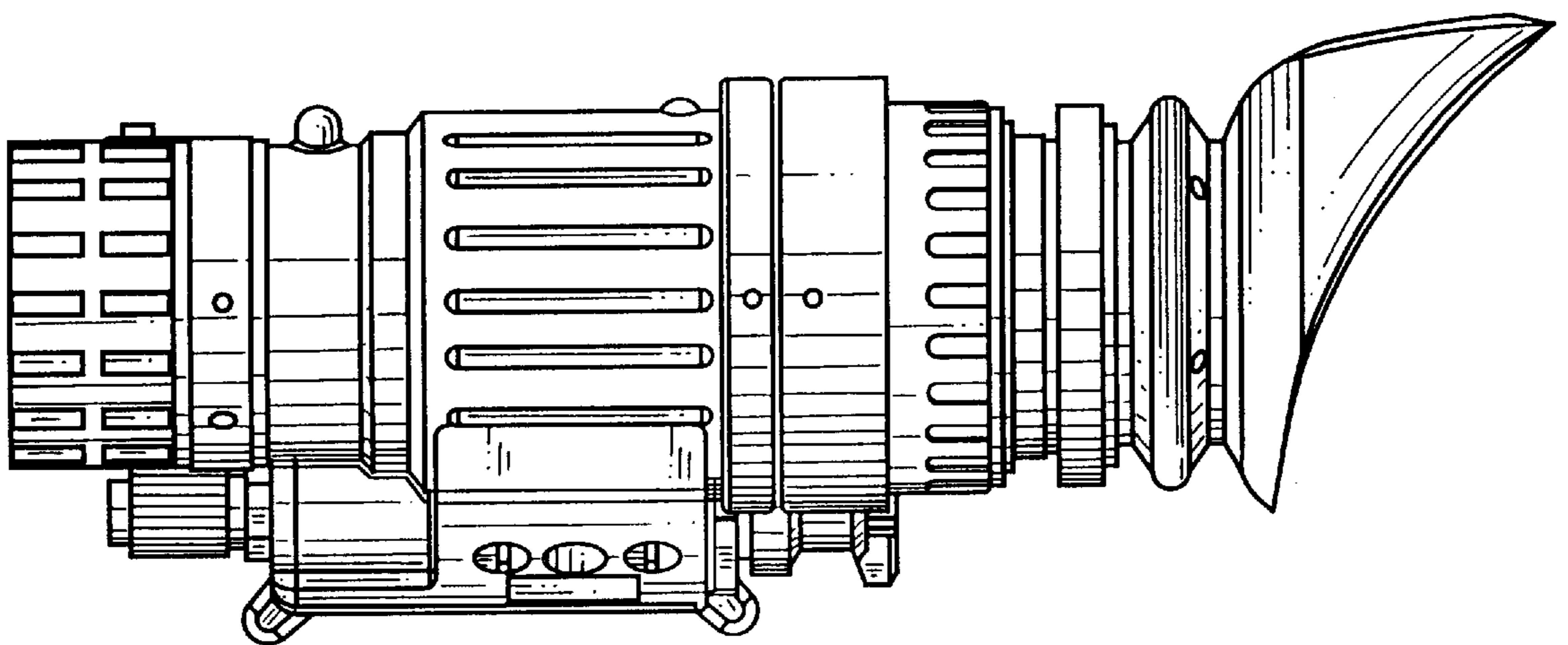


FIG. 1

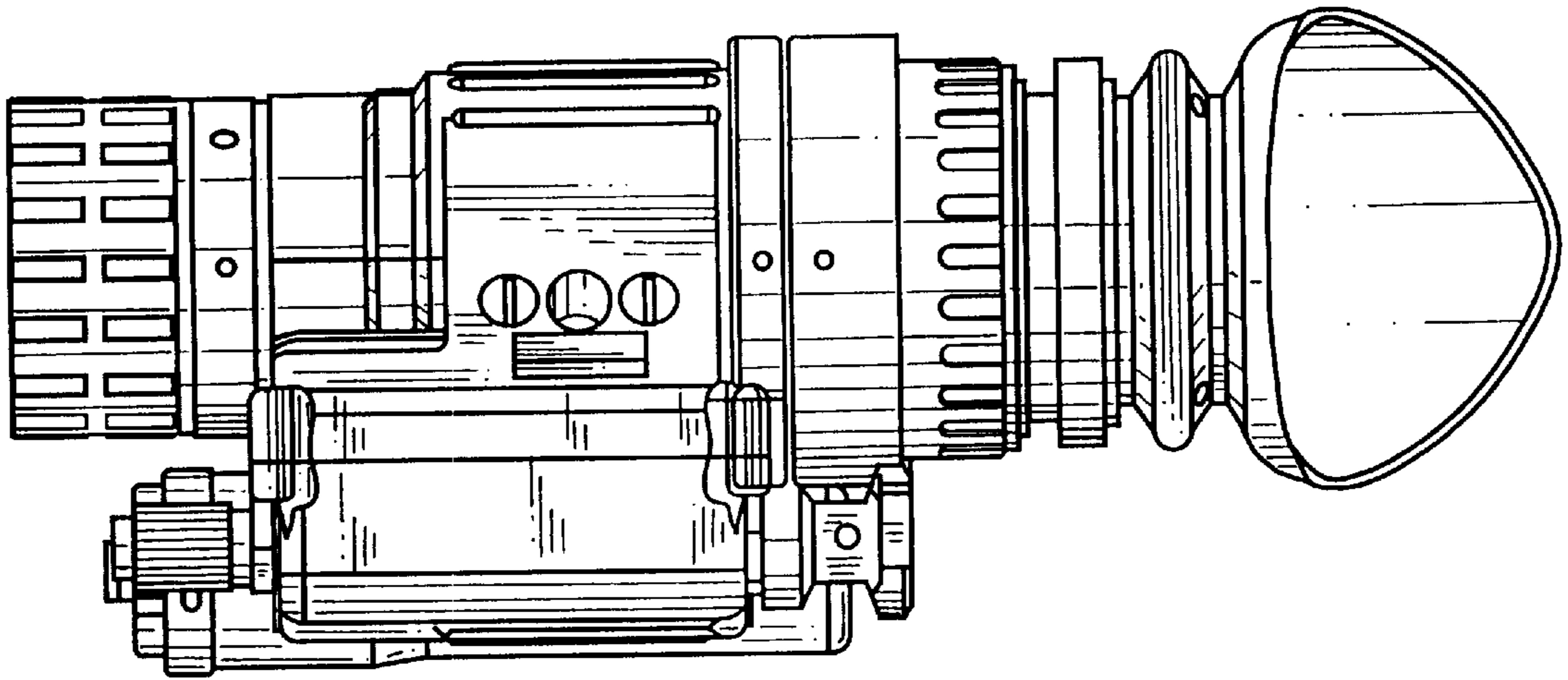


FIG. 2

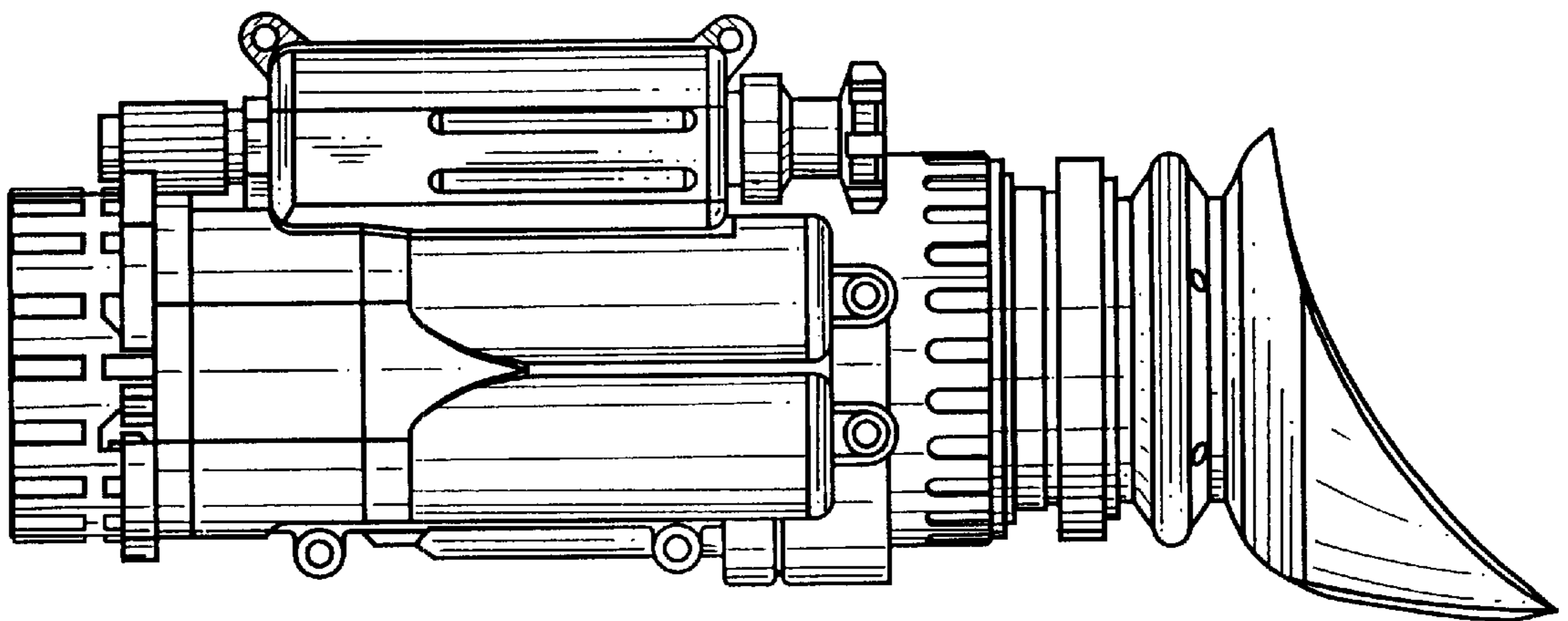


FIG. 3

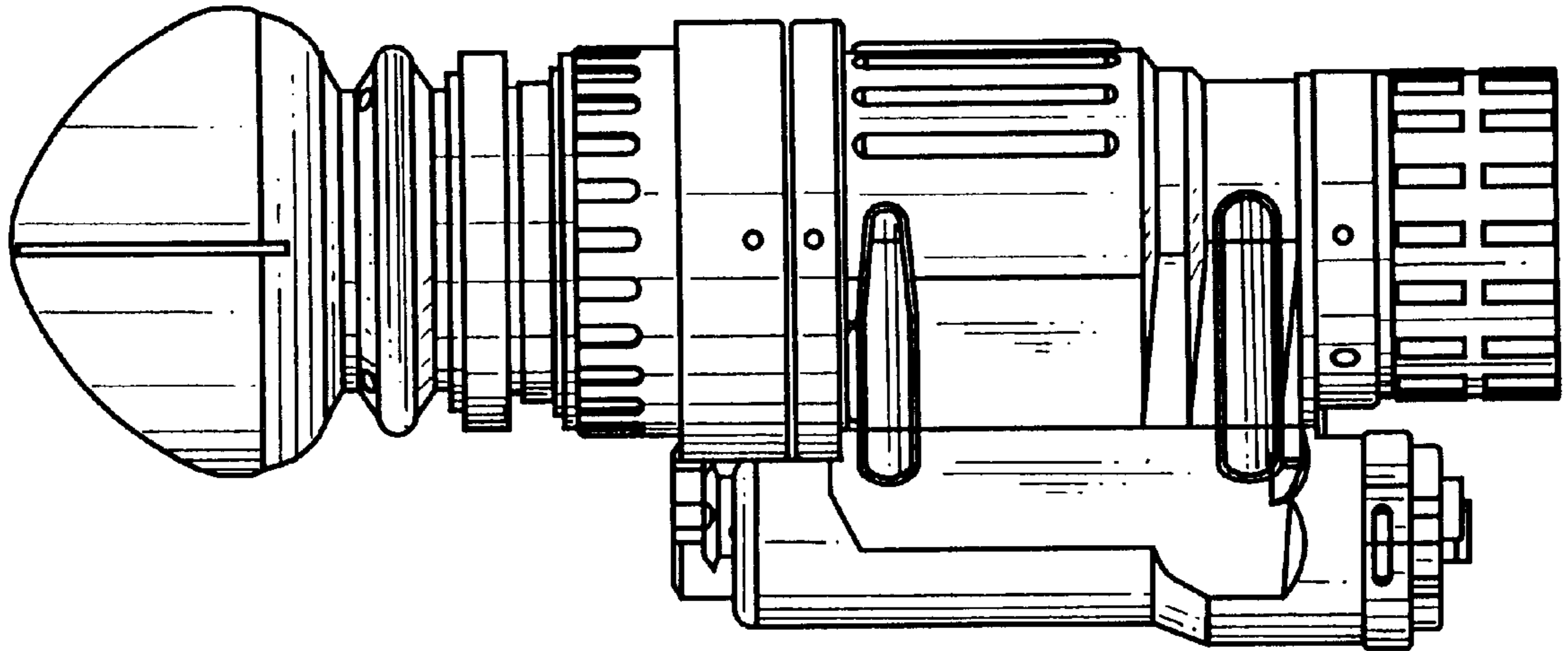


FIG. 4

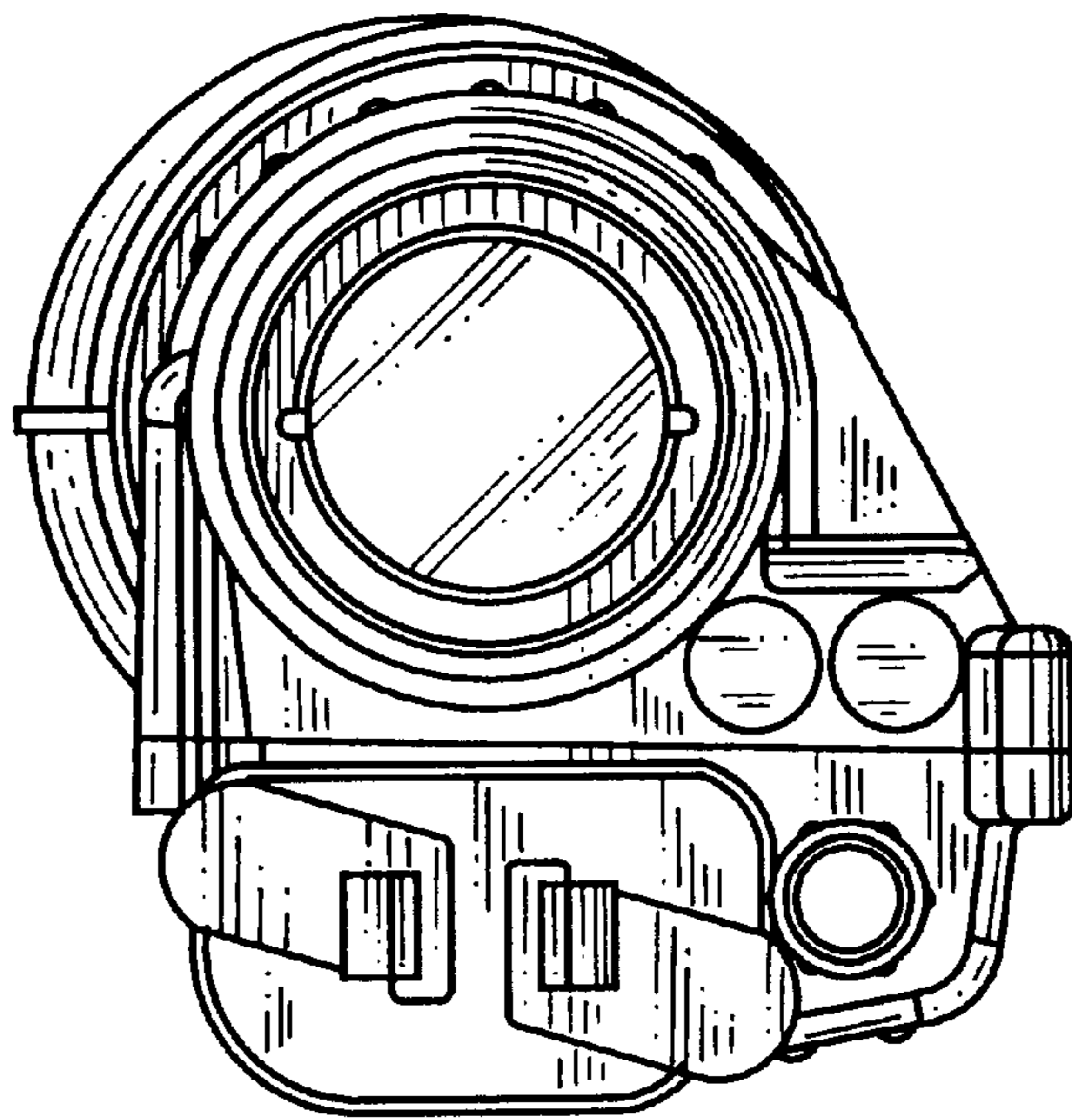


FIG. 5

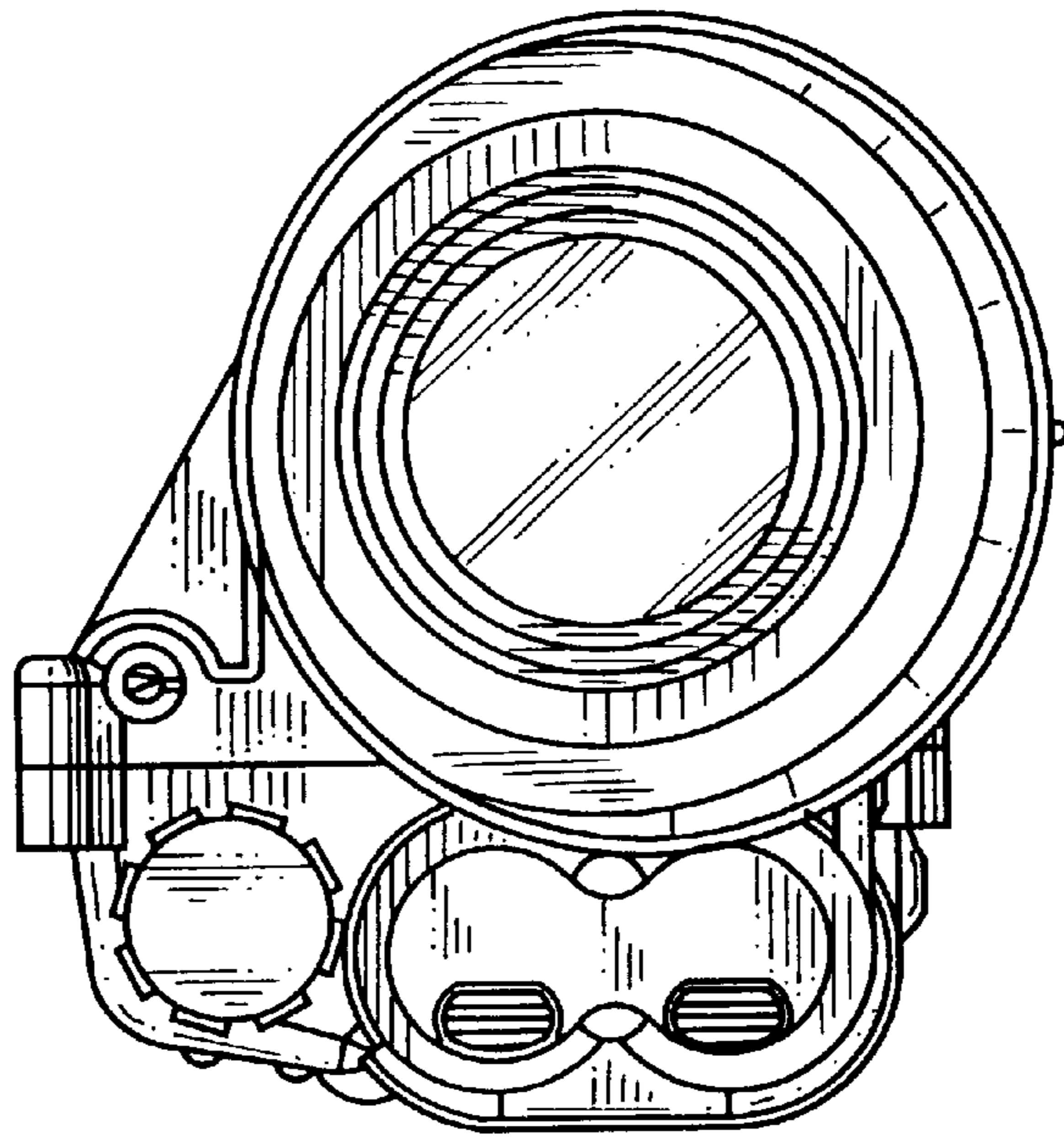


FIG. 6

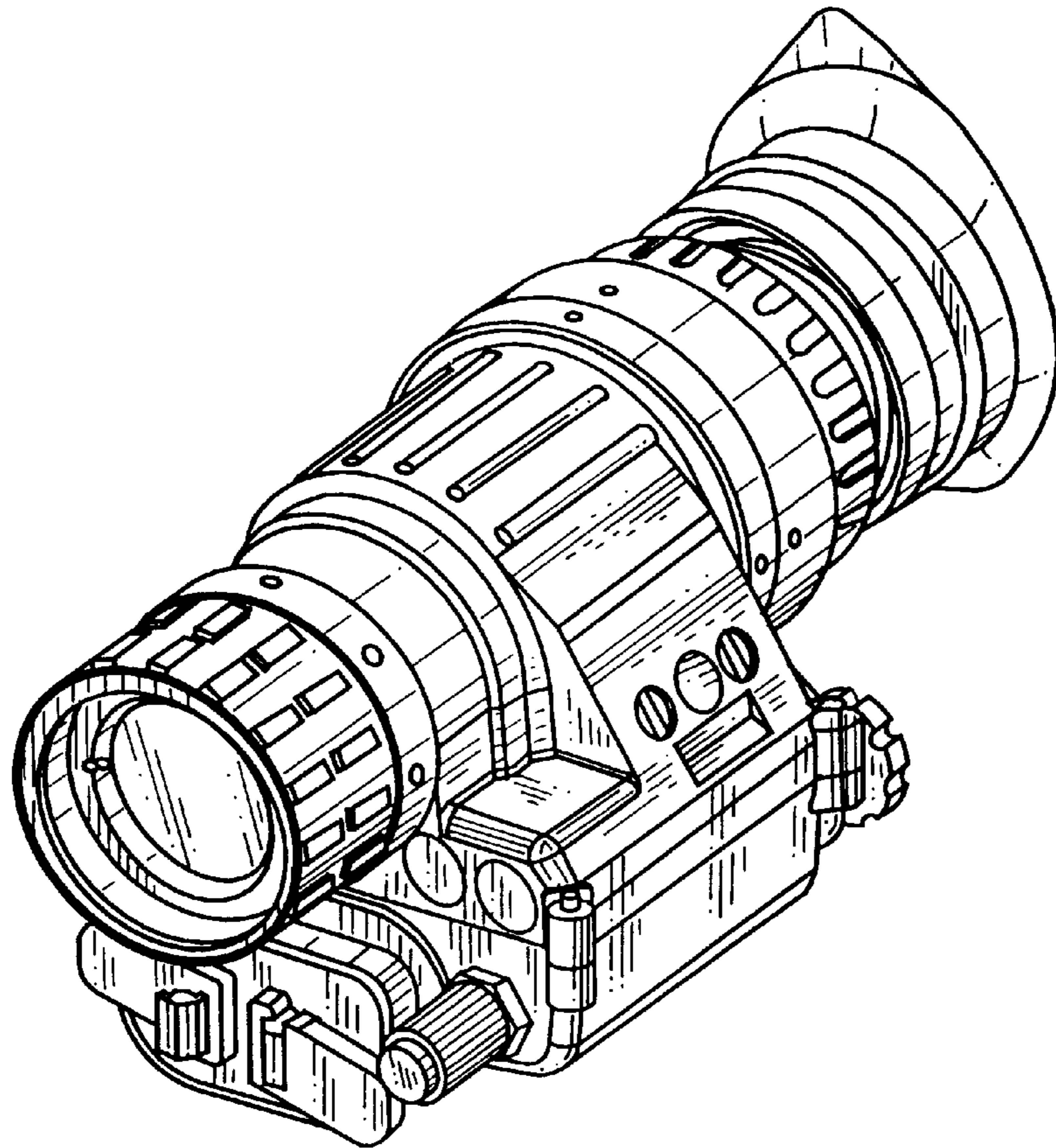


FIG. 7

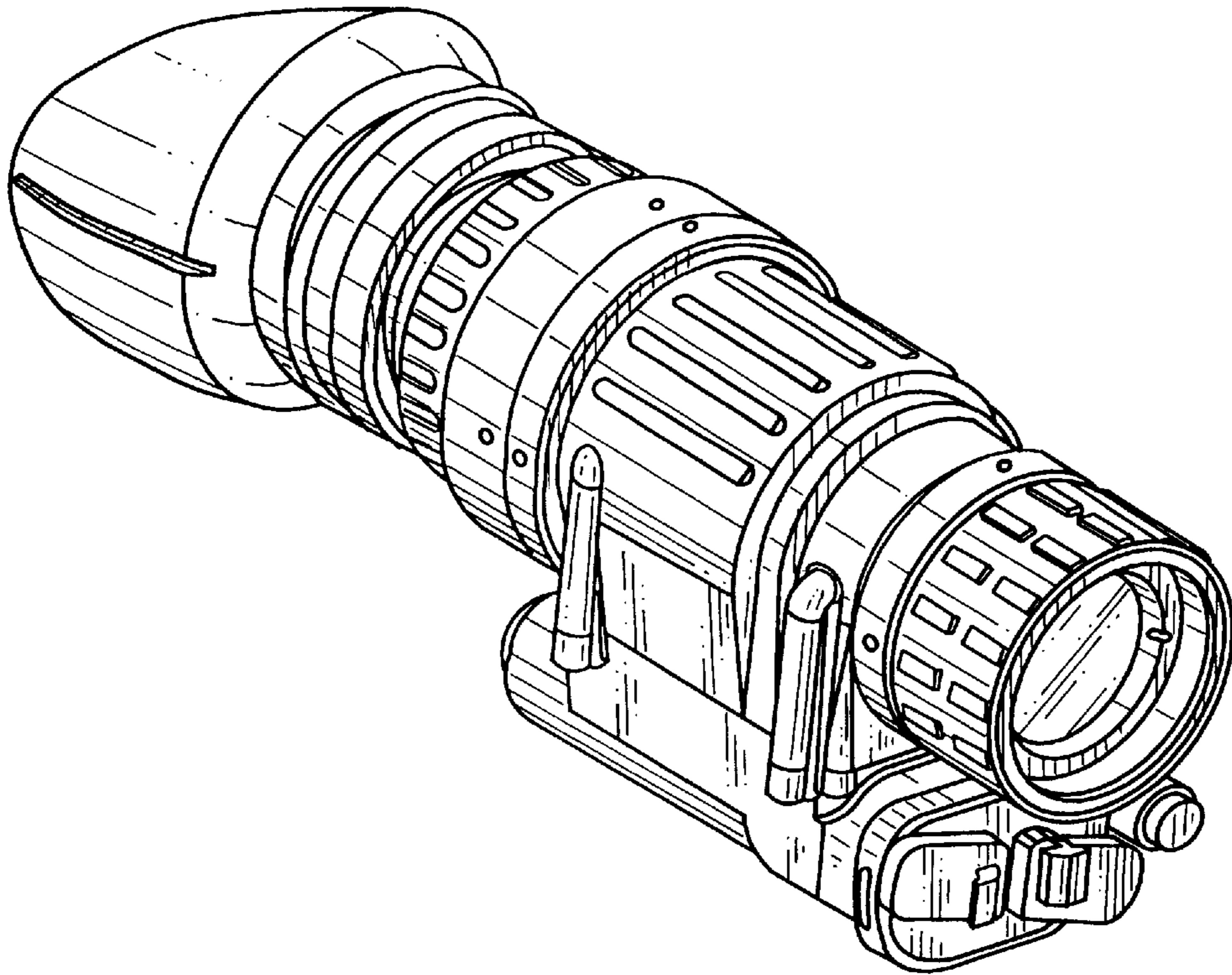


FIG. 8

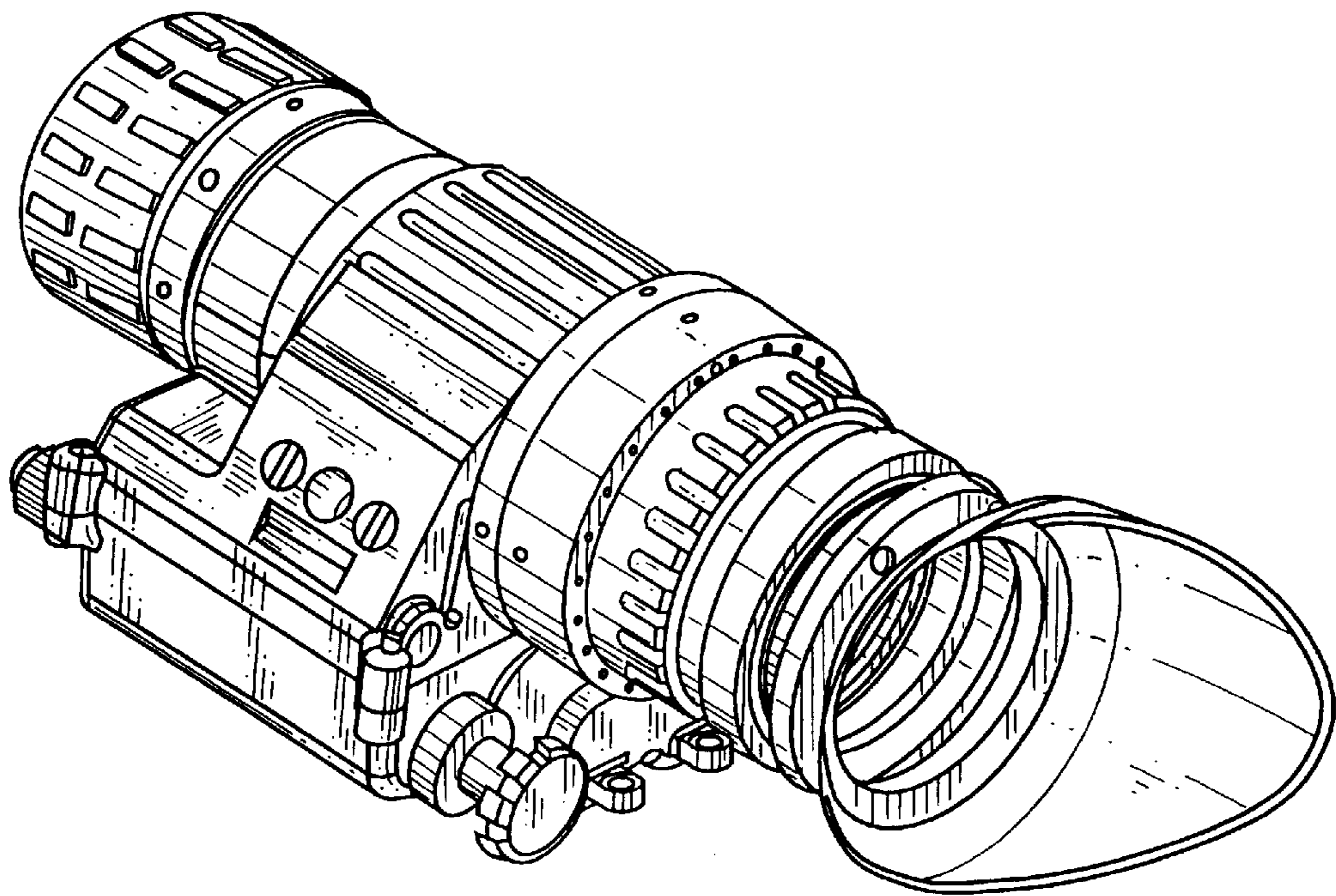


FIG. 9

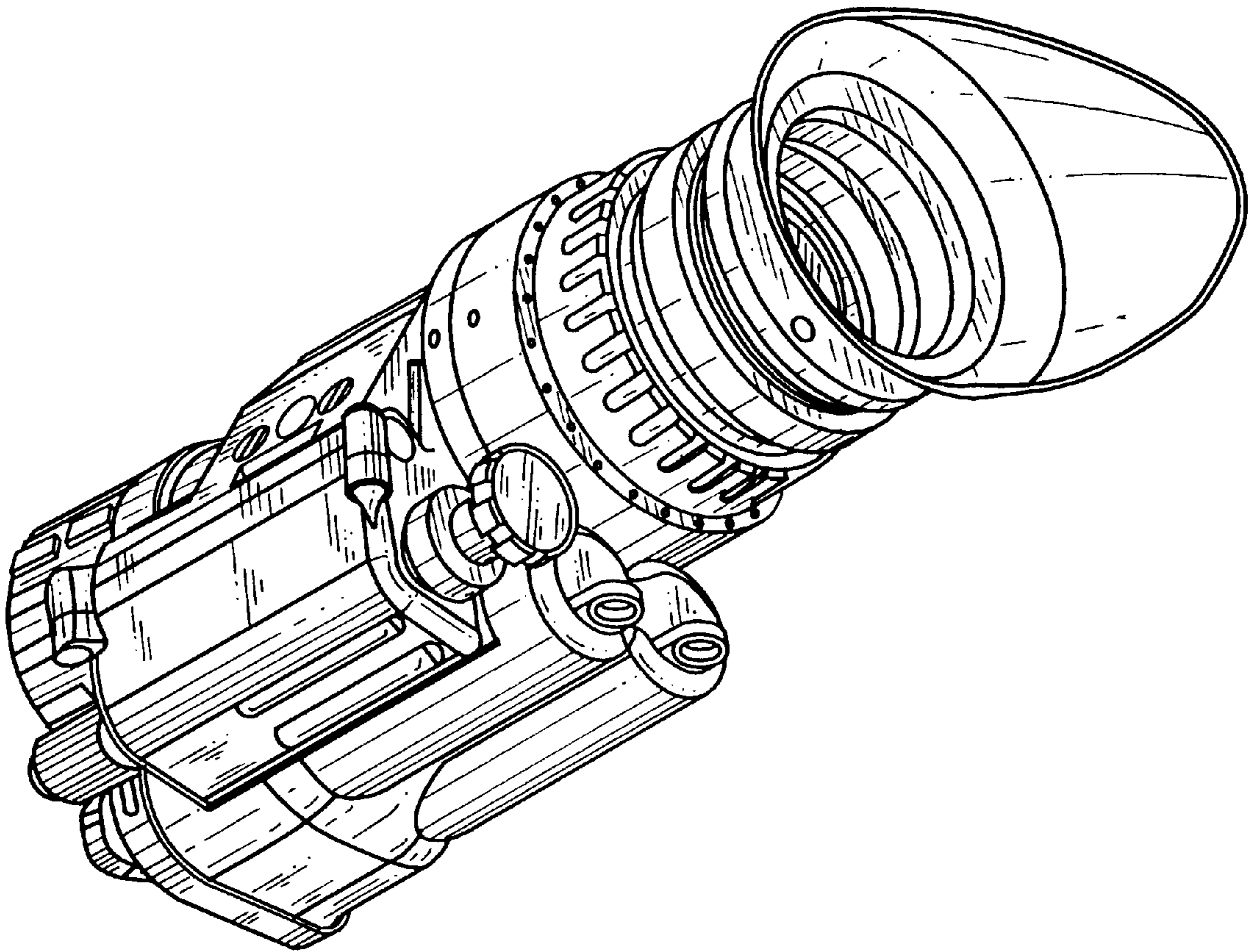


FIG. 10

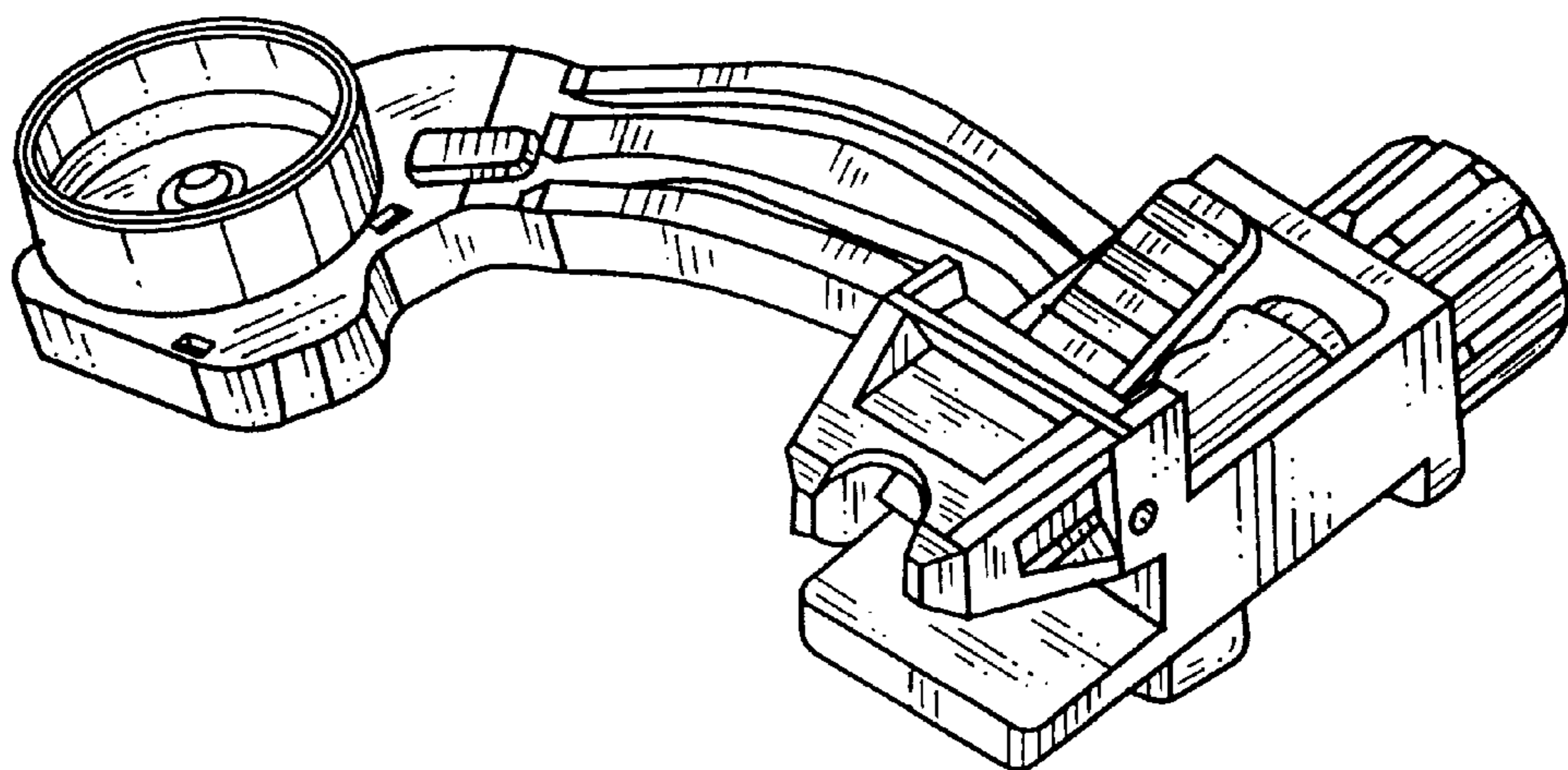


FIG. 11

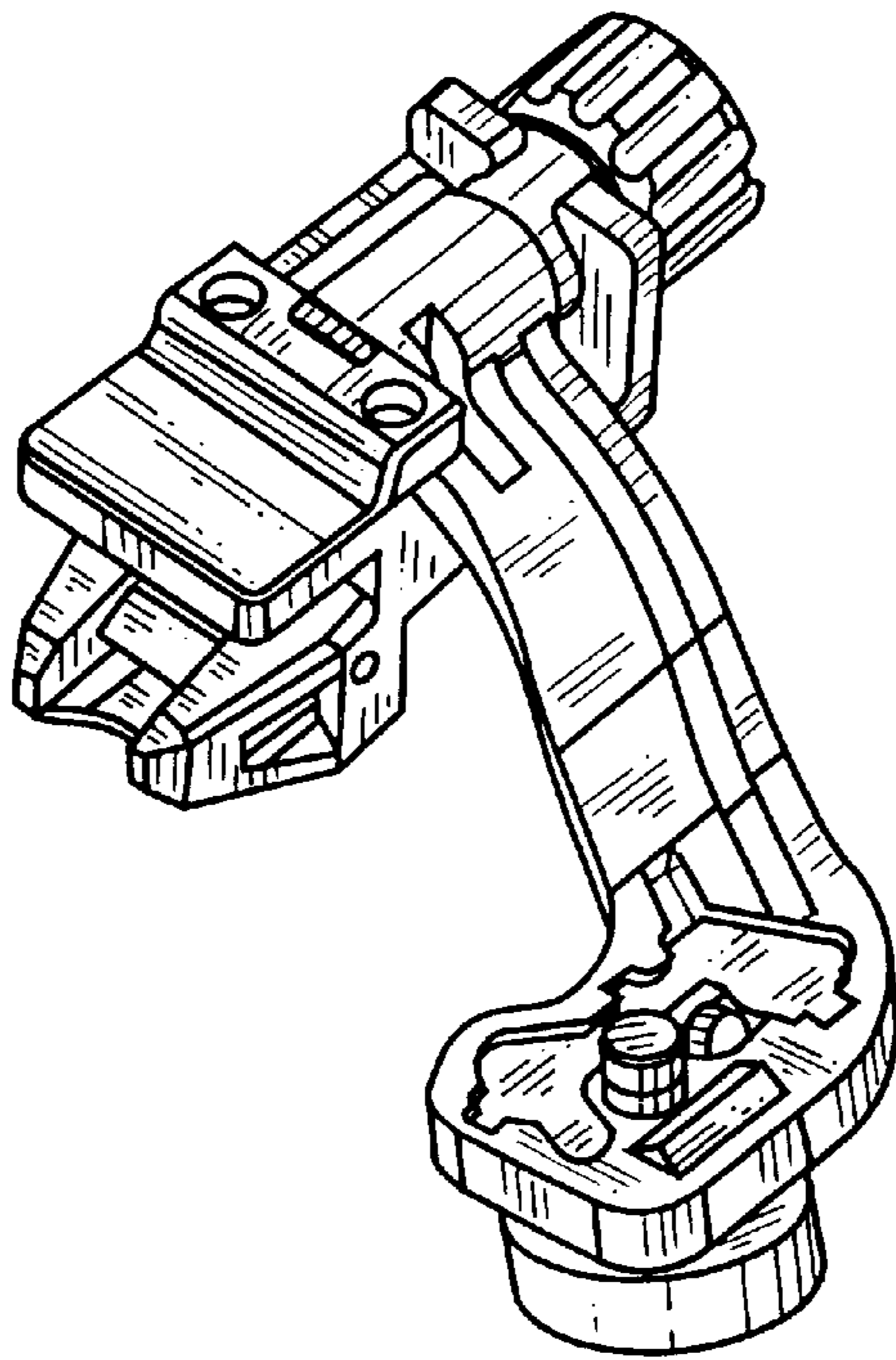


FIG. 12

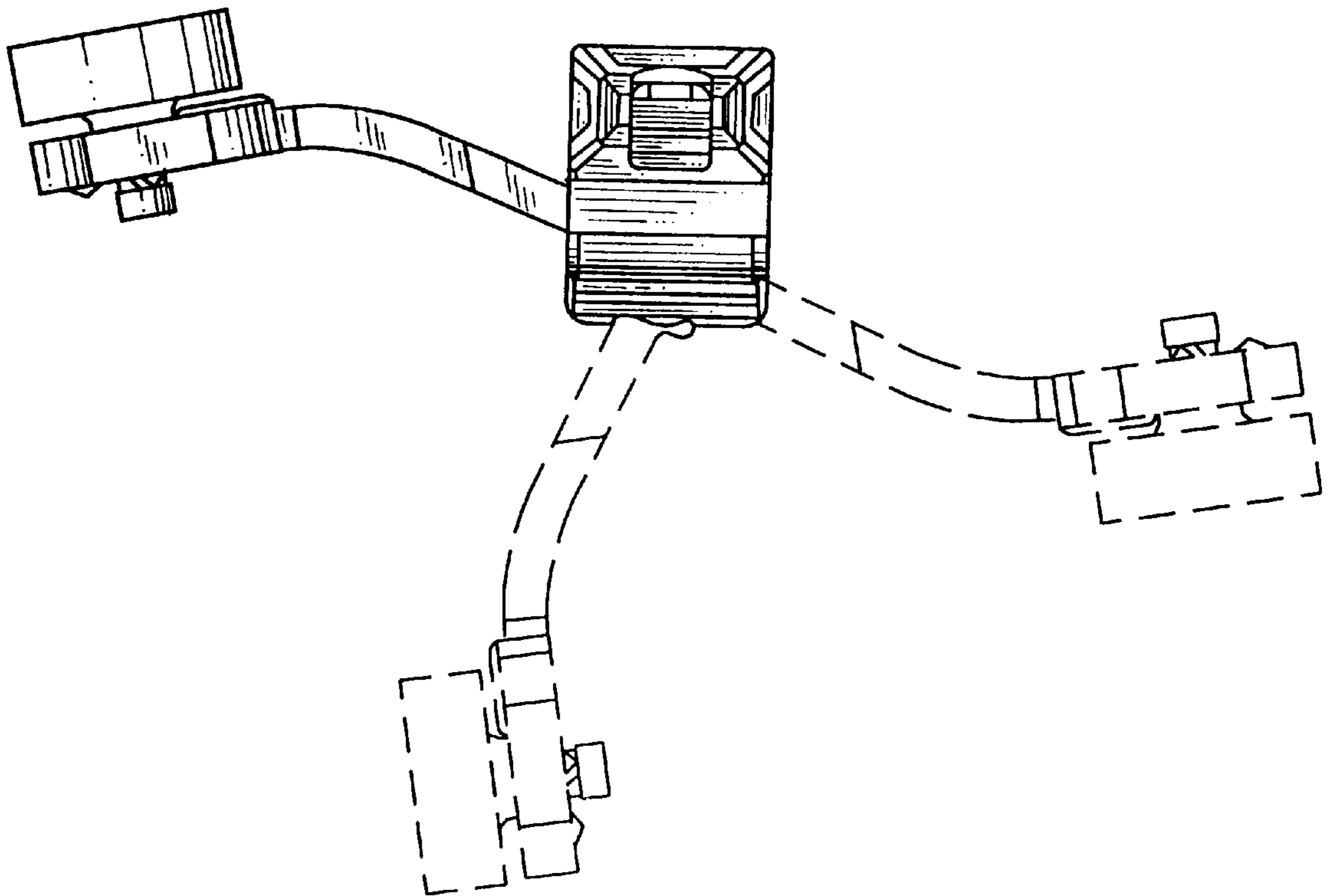


FIG. 13

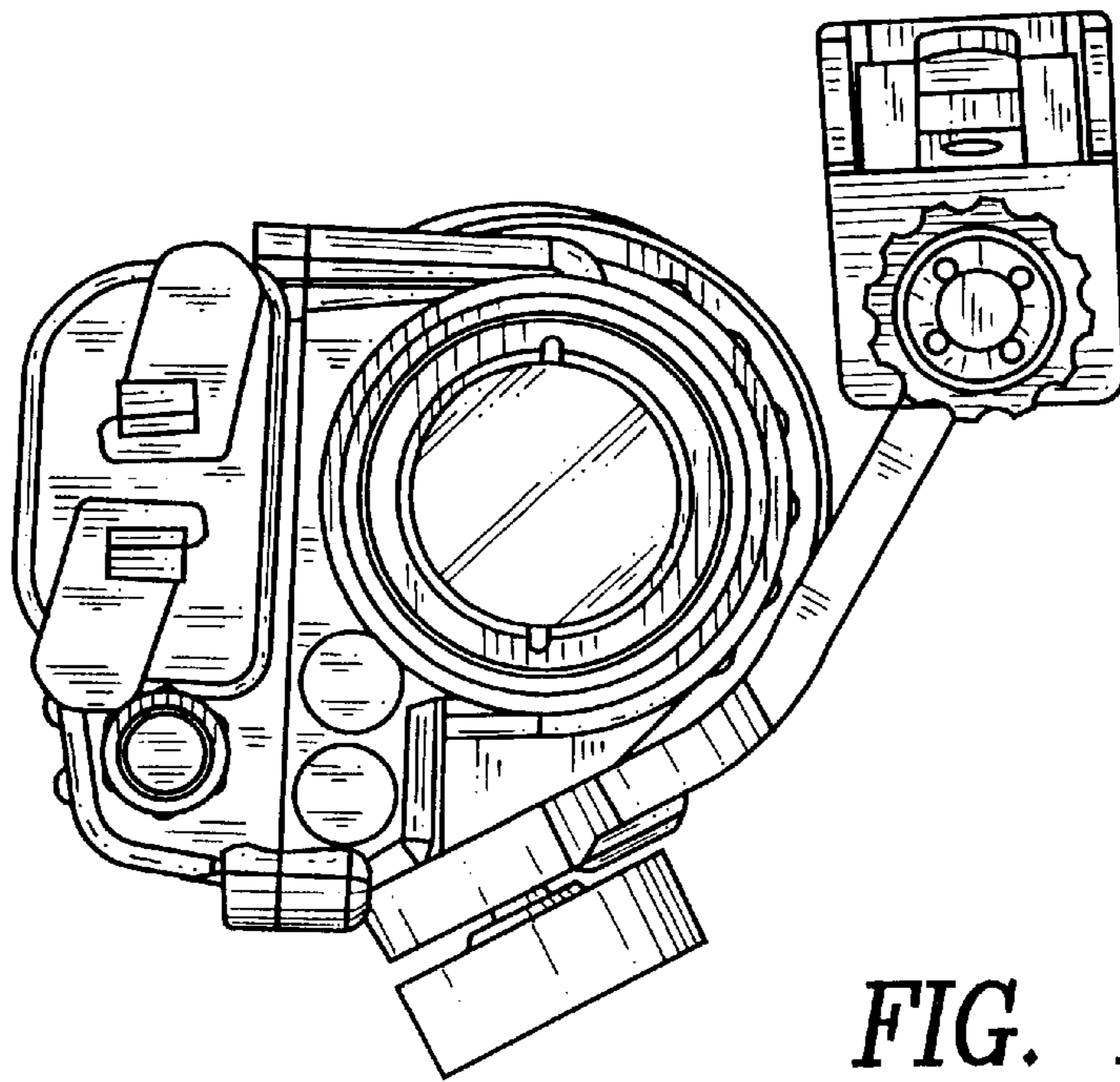


FIG. 14

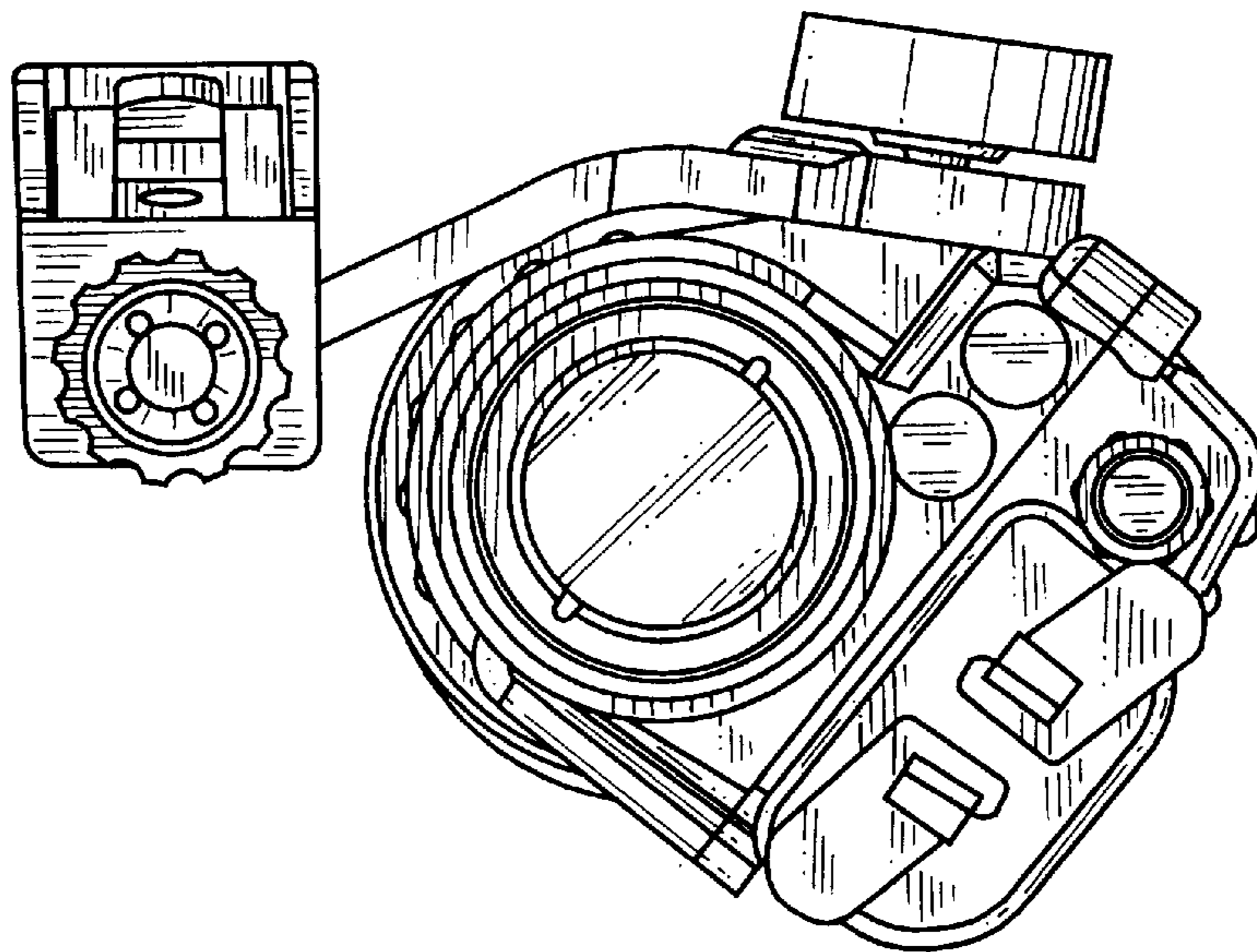


FIG. 15

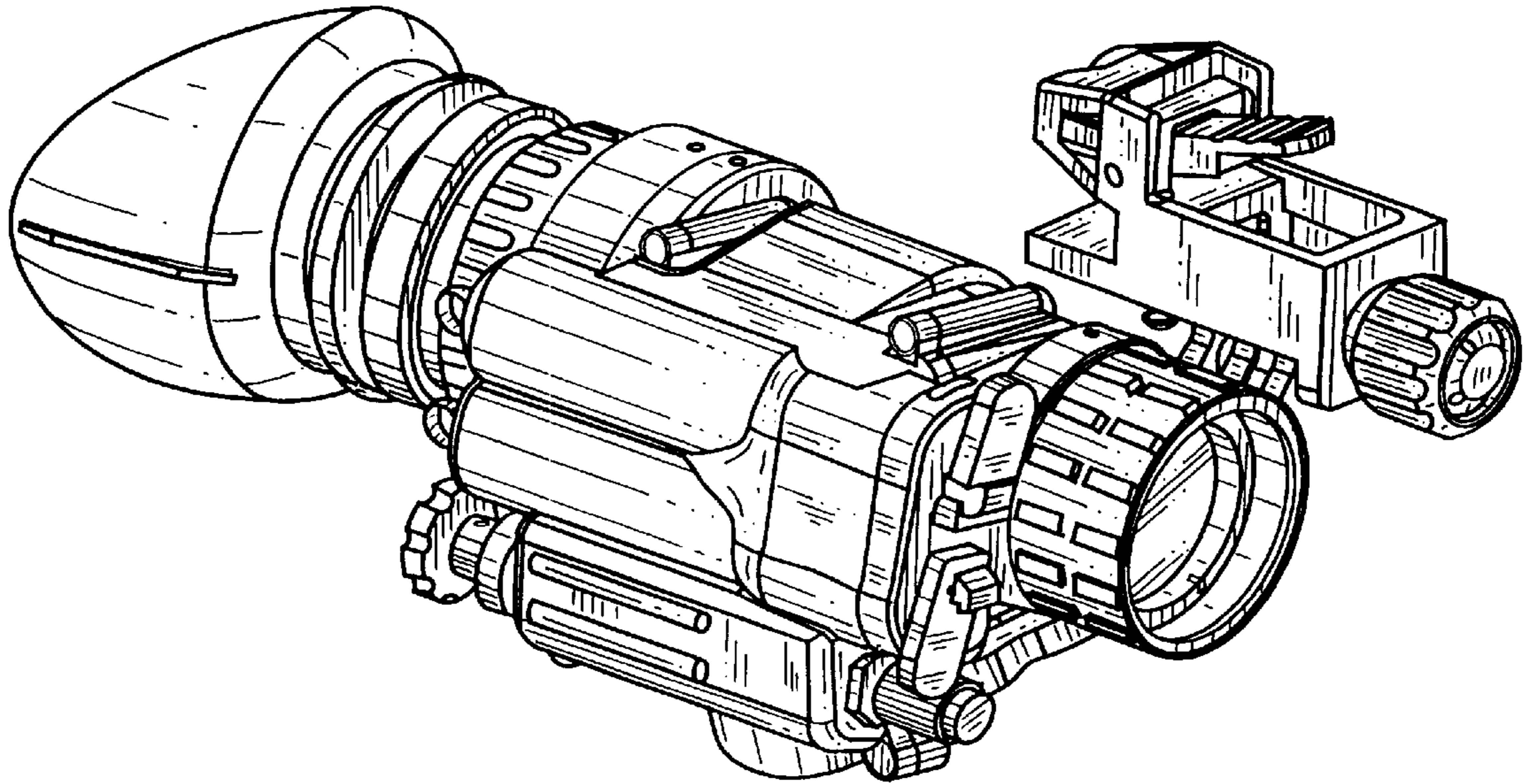


FIG. 16

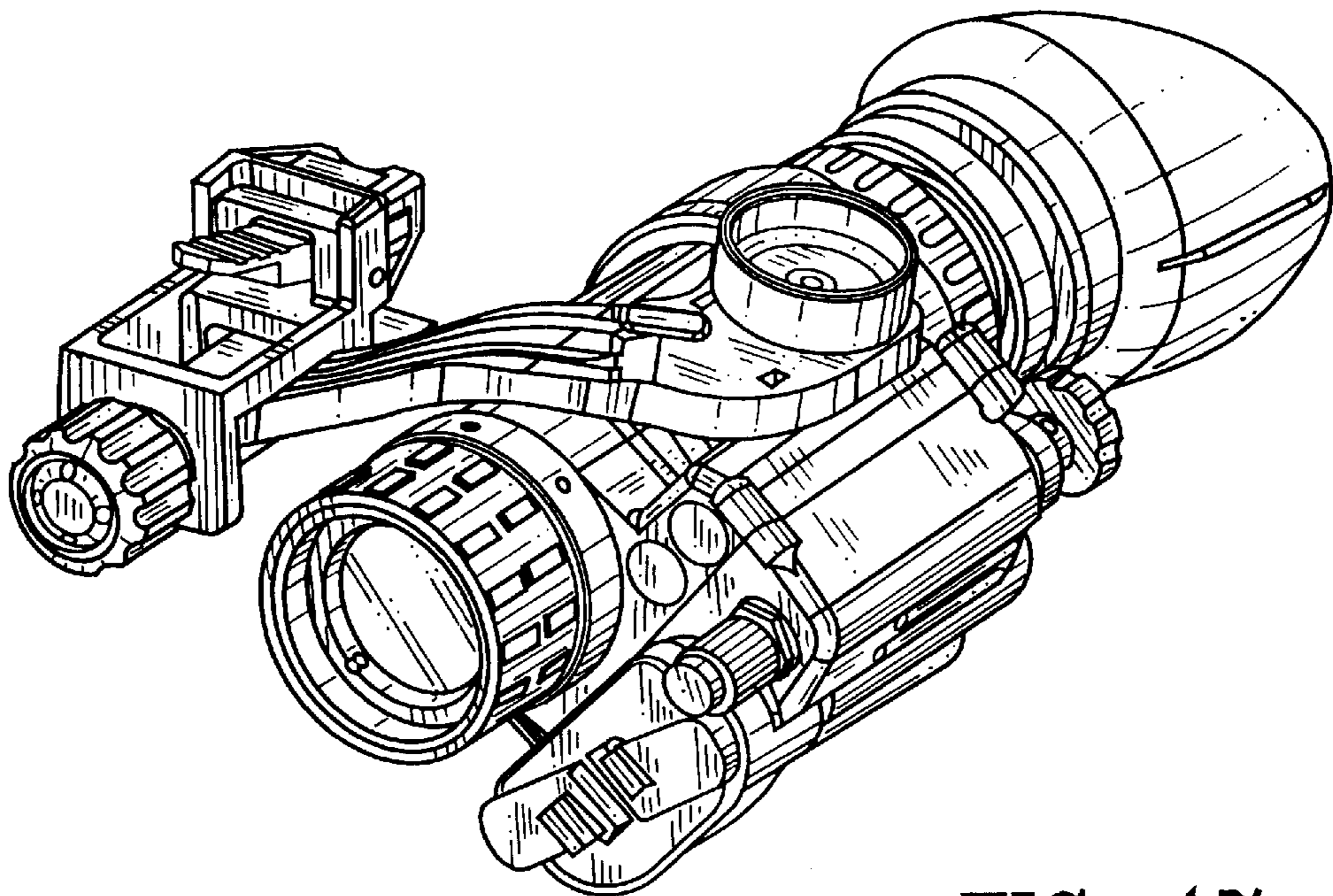


FIG. 17

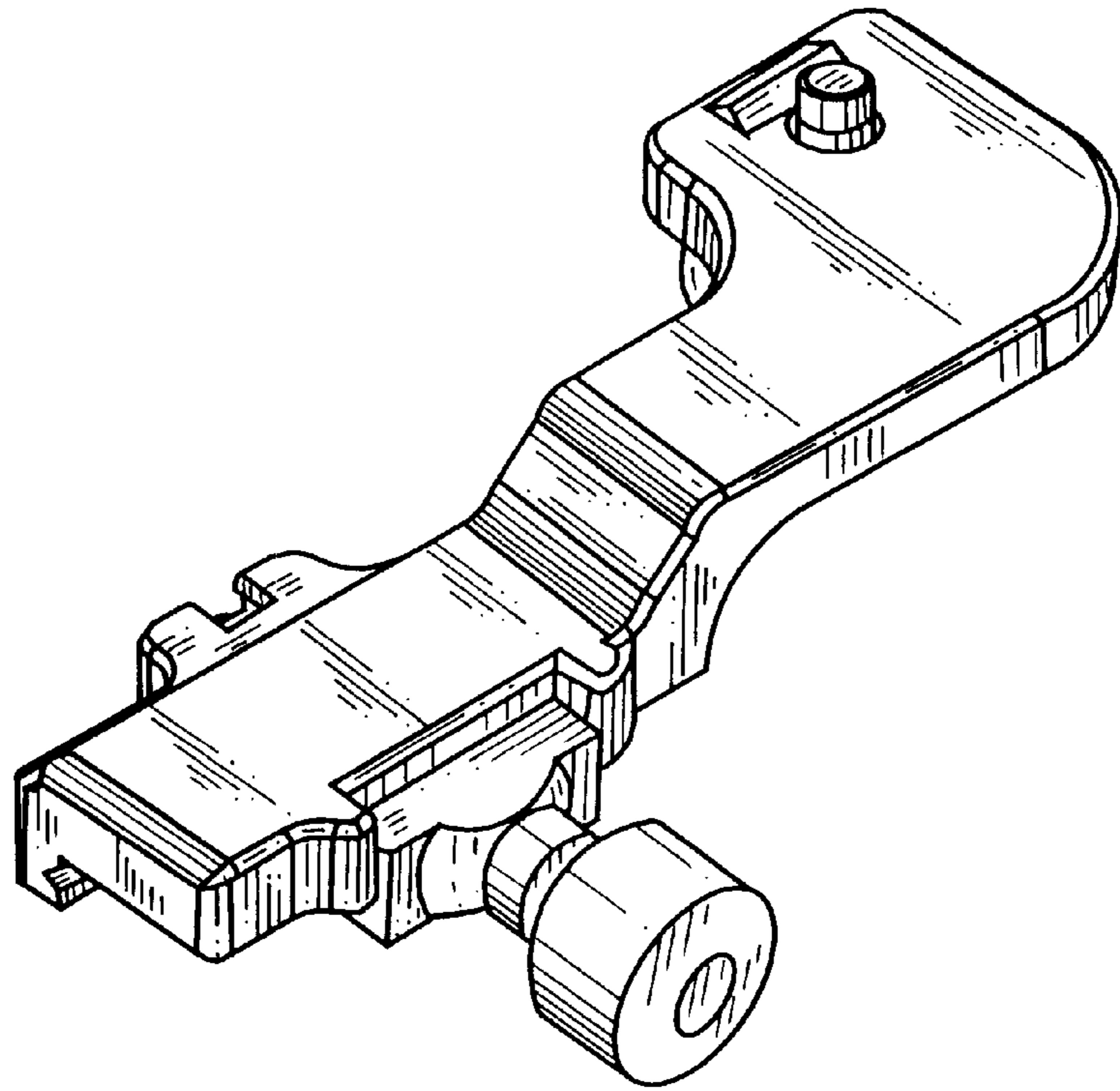


FIG. 18

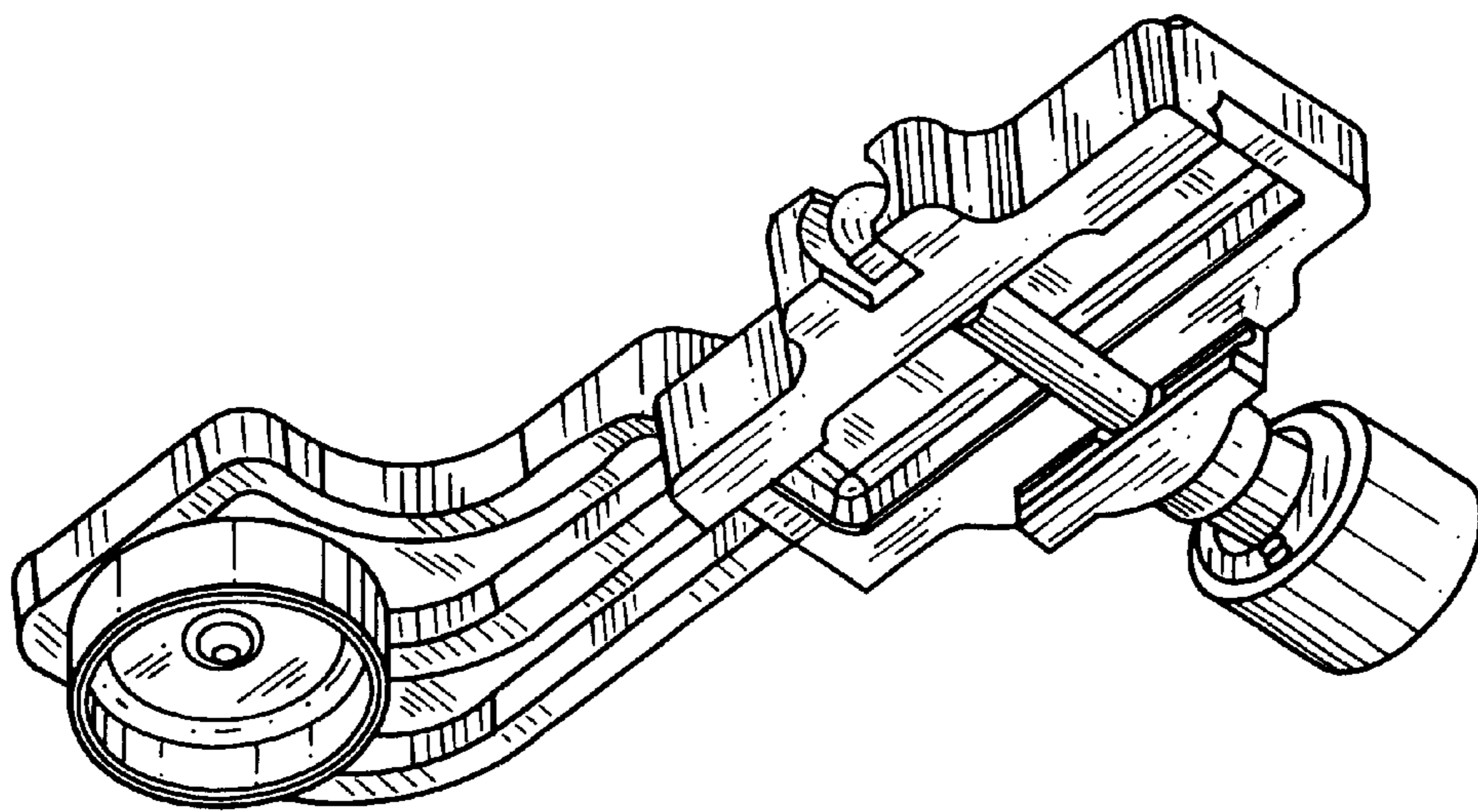


FIG. 19

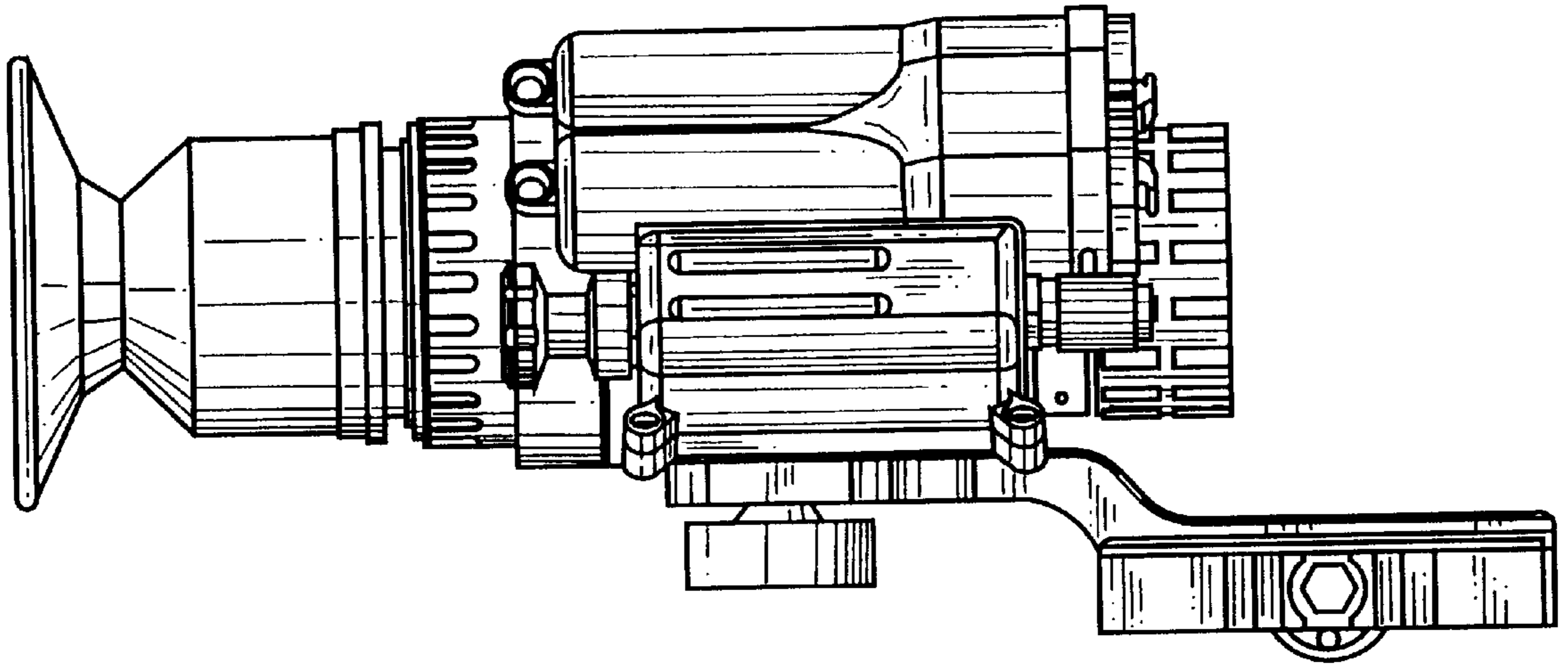


FIG. 20

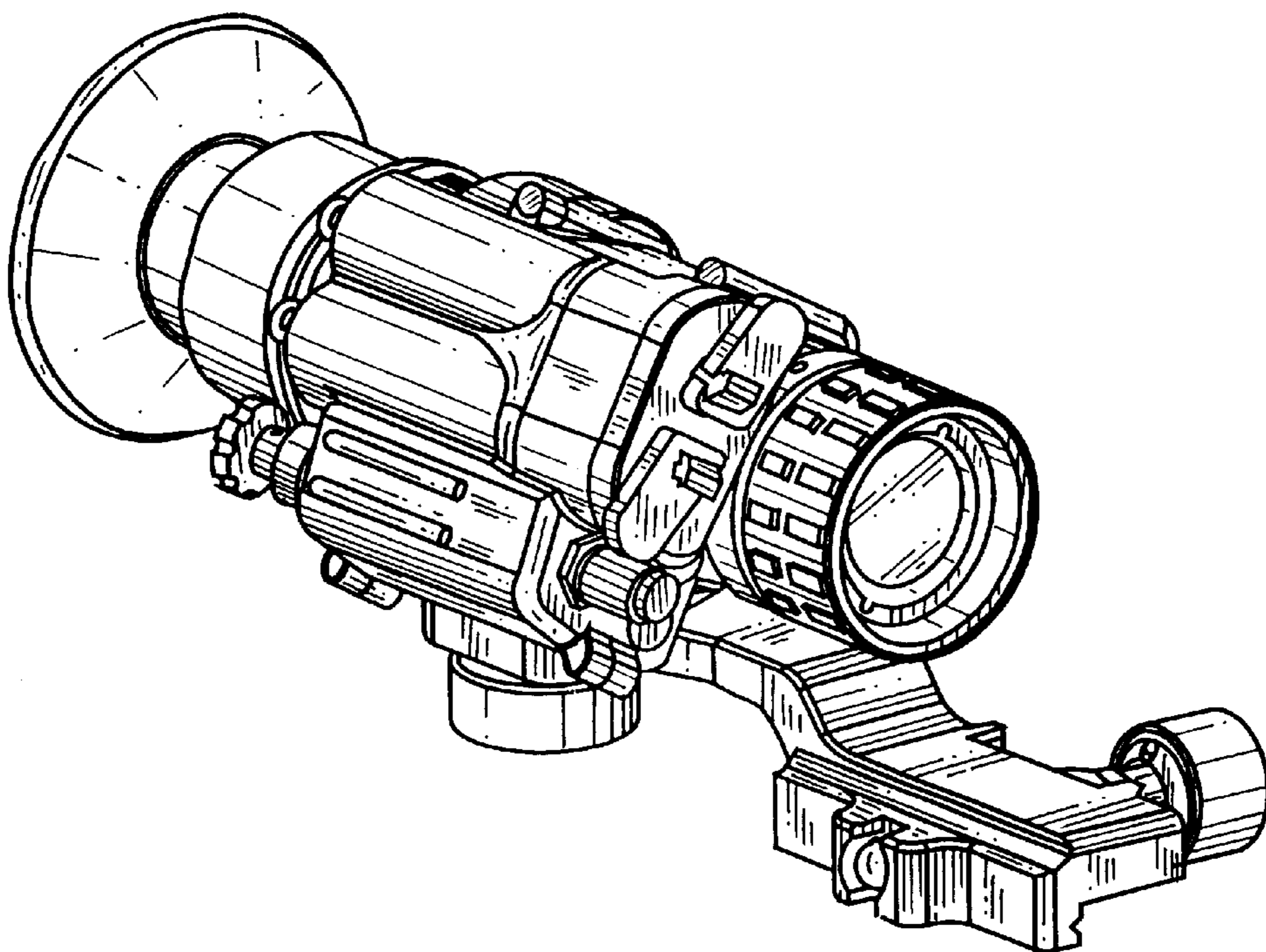


FIG. 21