



US00D413129S

United States Patent [19]

Nagai et al.

[11] Patent Number: Des. 413,129

[45] Date of Patent: ** Aug. 24, 1999

[54] **ELECTRIC ACTUATOR**

[75] Inventors: **Shigekazu Nagai**, Tokyo; **Masaki Miyahara**, Ibaraki-ken, both of Japan

[73] Assignee: **SMC Kabushiki Kaisha**, Tokyo, Japan

[**] Term: **14 Years**

[21] Appl. No.: **29/086,600**

[22] Filed: **Apr. 16, 1998**

[30] **Foreign Application Priority Data**

Oct. 20, 1997	[JP]	Japan	9-72070
Oct. 20, 1997	[JP]	Japan	9-72071
Oct. 20, 1997	[JP]	Japan	9-72072

[51] **LOC (6) Cl.** **15-09**

[52] **U.S. Cl.** **D15/199**

[58] **Field of Search** D15/199, 149;
74/89.15, 490.09; 310/20, 80

[56] **References Cited**

U.S. PATENT DOCUMENTS

D. 379,468	5/1997	Nagai et al.	D15/199
5,445,045	8/1995	Nagai et al.	74/490.09

Primary Examiner—Antoine Duval Davis
Attorney, Agent, or Firm—Frishauf, Holtz, Goodman,
Langer & Chick

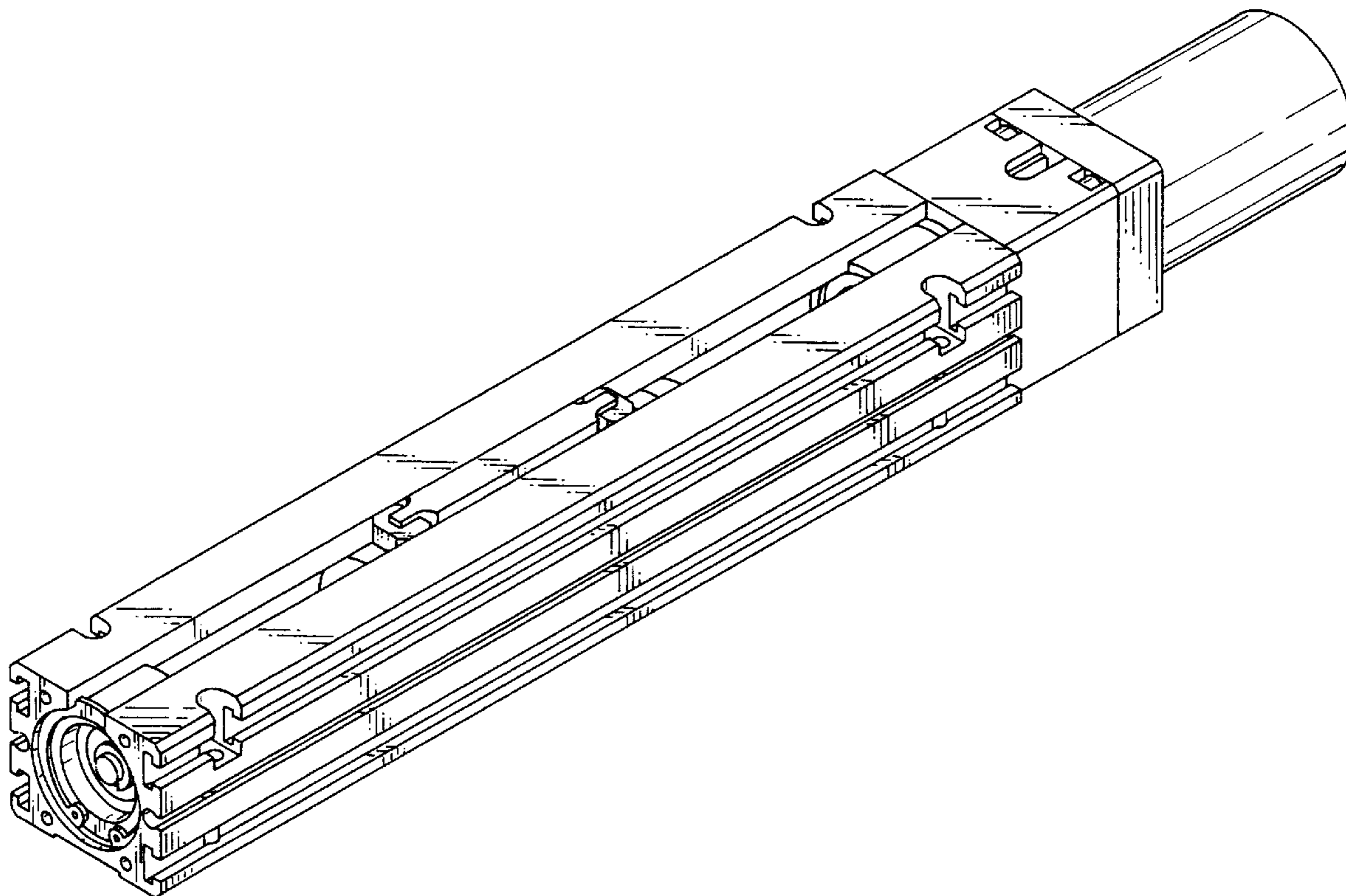
[57] **CLAIM**

The ornamental design for an electric actuator, as shown and described.

DESCRIPTION

FIG. 1 is a top, front and left side perspective view of an electric actuator showing our new design;
 FIG. 2 is a front view thereof, the rear view being a mirror image thereof;
 FIG. 3 is a right side view thereof;
 FIG. 4 is a left side view thereof;
 FIG. 5 is a top plan view thereof;
 FIG. 6 is a bottom plan view thereof;
 FIG. 7 is a top, front and left side perspective view of a second embodiment thereof;
 FIG. 8 is a front view thereof, the rear view being a mirror image thereof;
 FIG. 9 is a right side view thereof;
 FIG. 10 is a left side view thereof;
 FIG. 11 is a top plan view thereof;
 FIG. 12 is a bottom plan view thereof;
 FIG. 13 is a top, front and left side perspective view of a third embodiment thereof;
 FIG. 14 is a front view thereof, the rear view being a mirror image thereof;
 FIG. 15 is a right side view thereof;
 FIG. 16 is a left side view thereof;
 FIG. 17 is a top plan view thereof; and,
 FIG. 18 is a bottom plan view thereof;

1 Claim, 9 Drawing Sheets



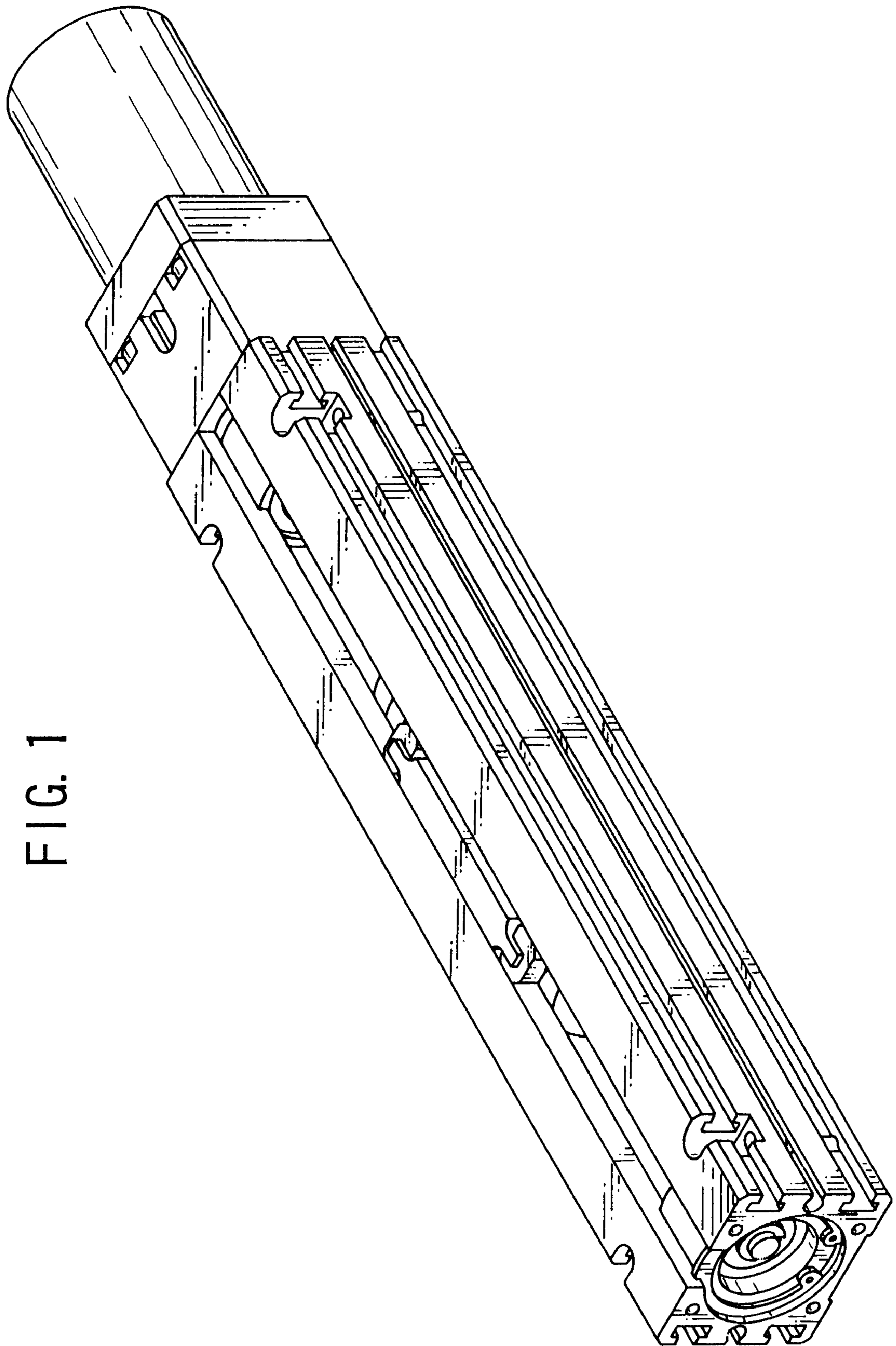


FIG. 1

FIG. 2

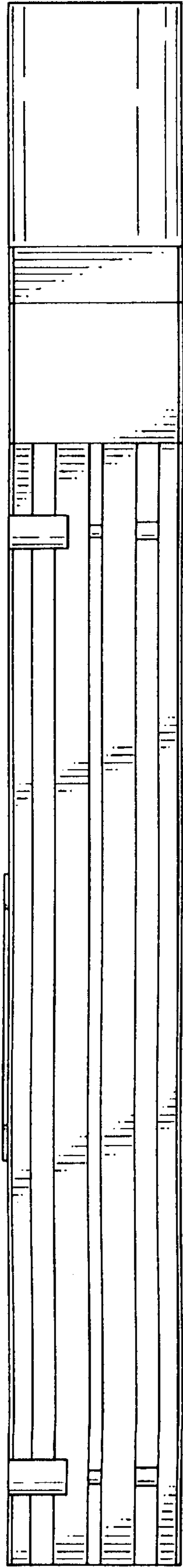


FIG. 4

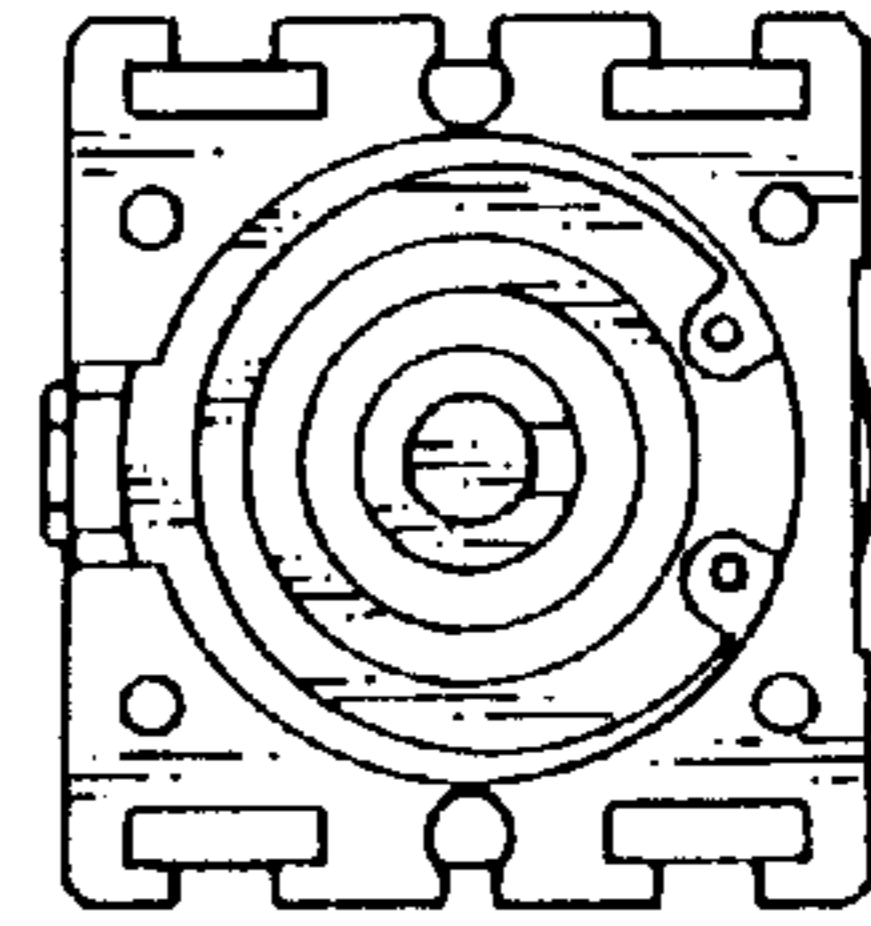


FIG. 3

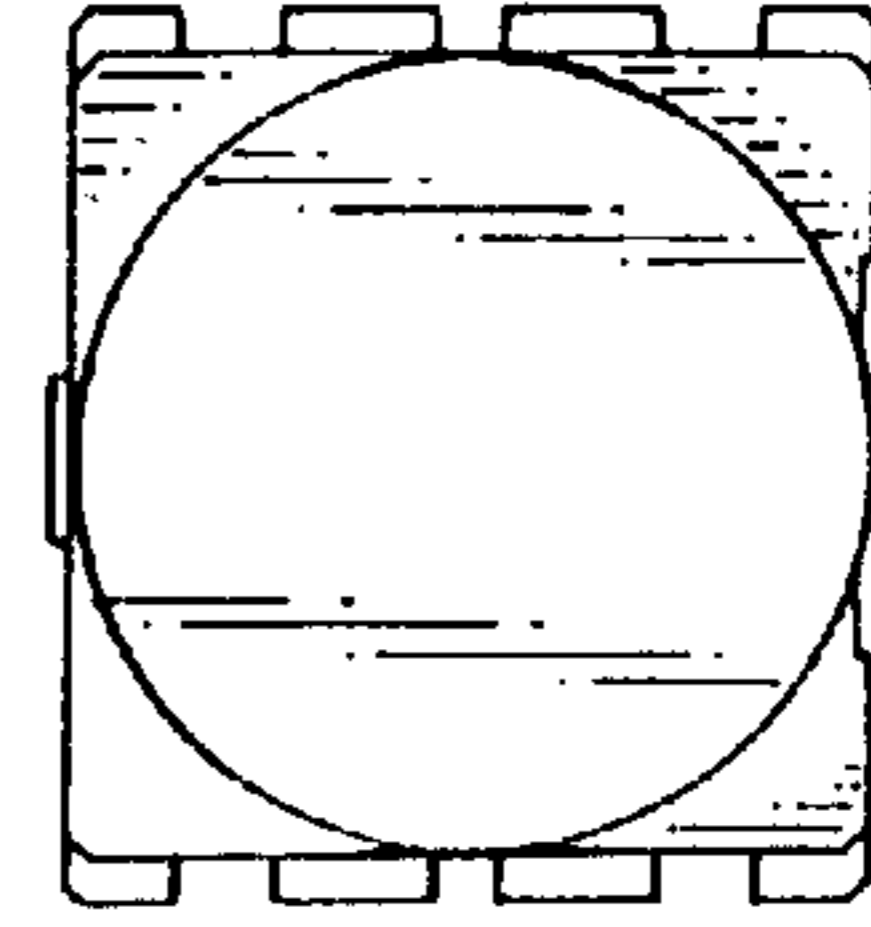


FIG. 5

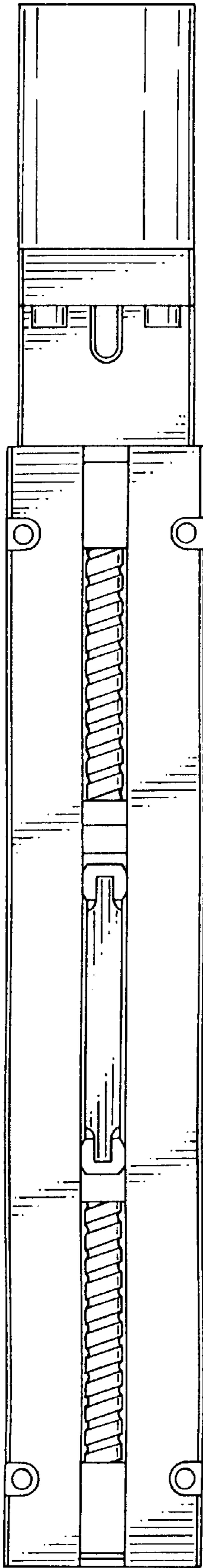
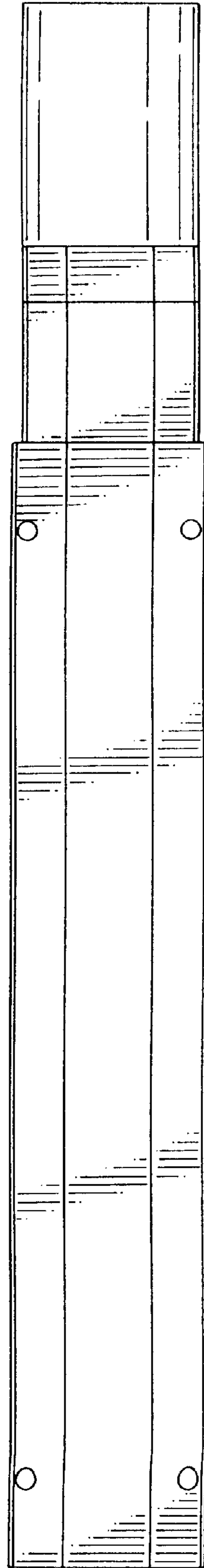


FIG. 6



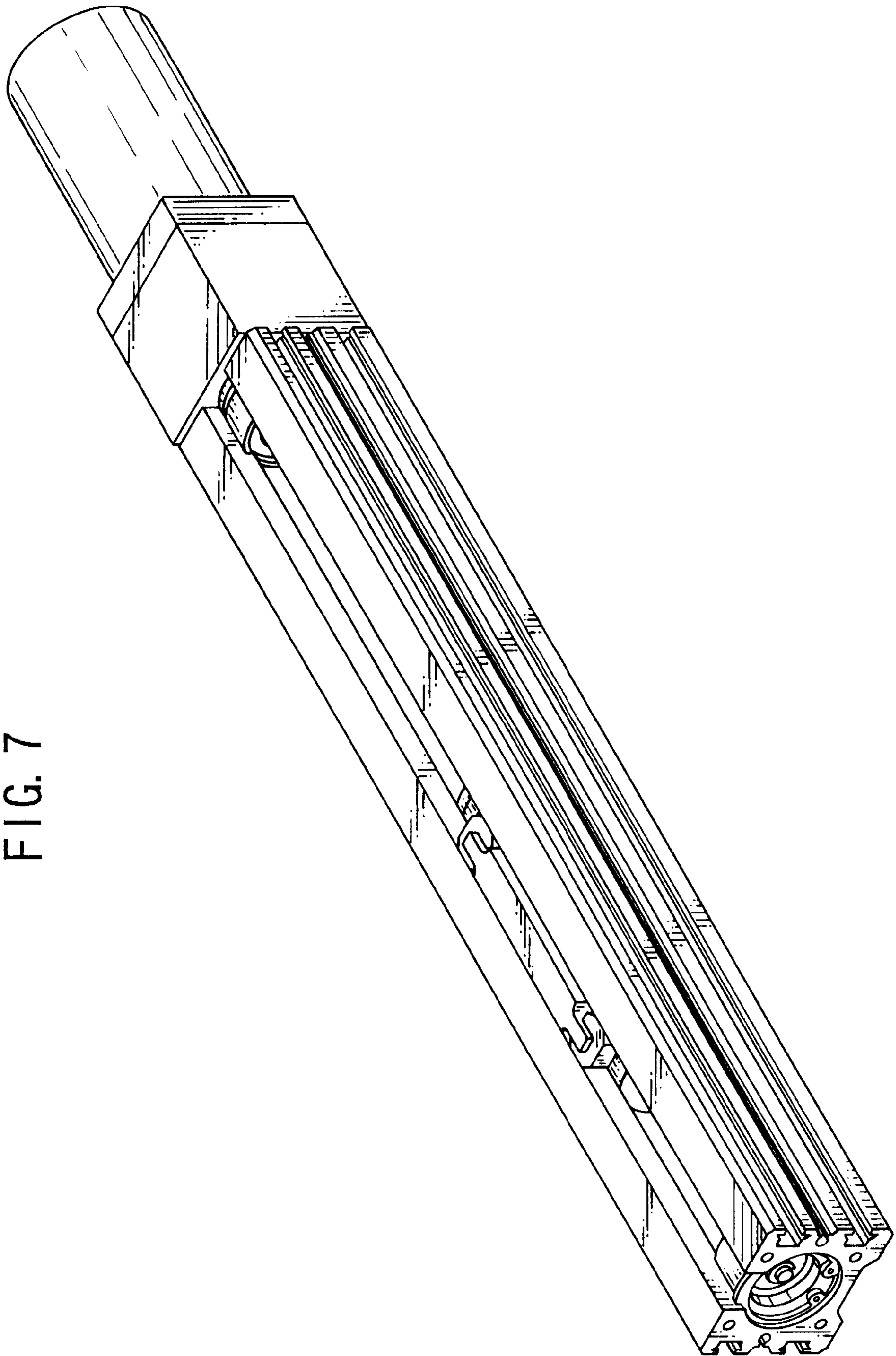


FIG. 7

FIG. 8



FIG. 9

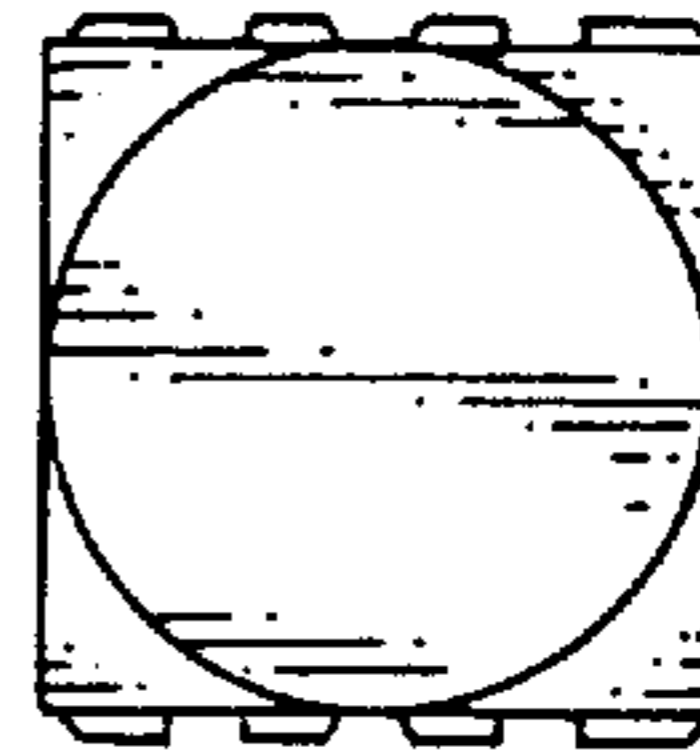


FIG. 10

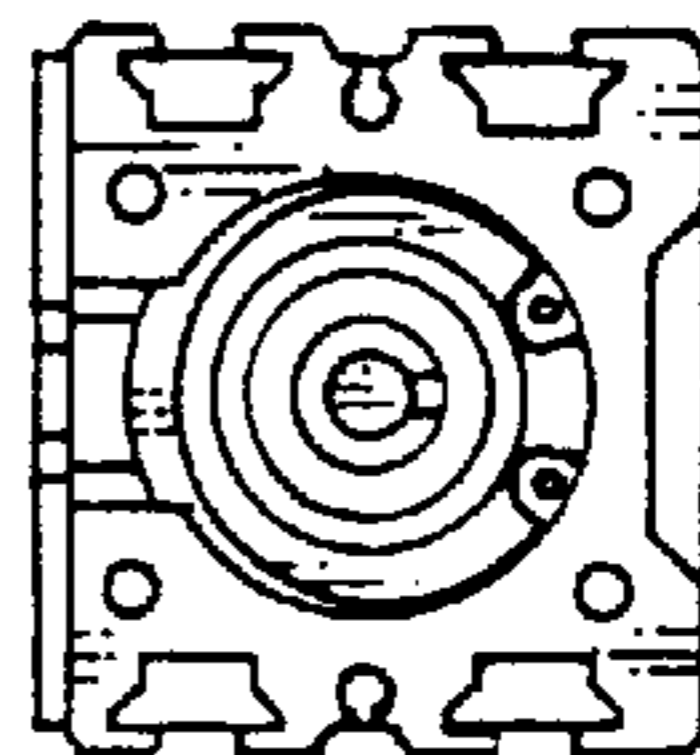


FIG. 11

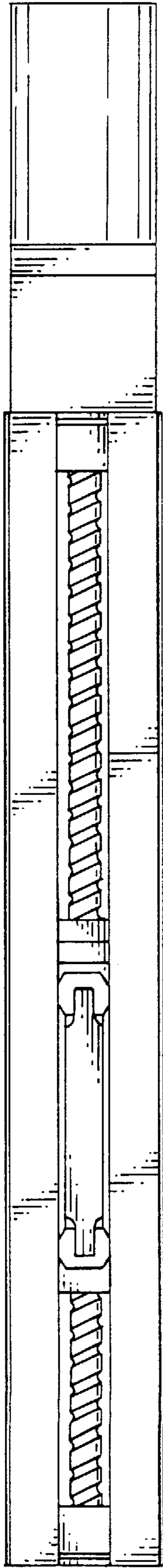
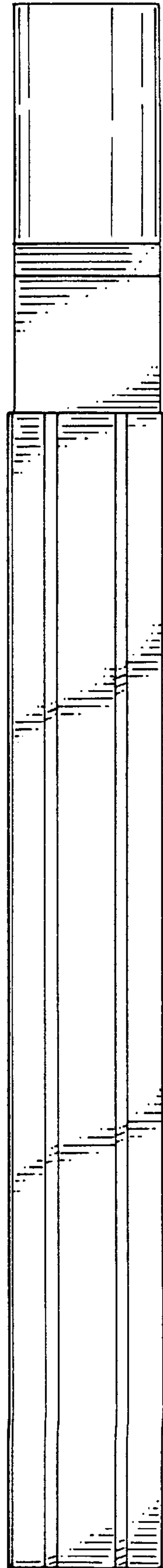


FIG. 12



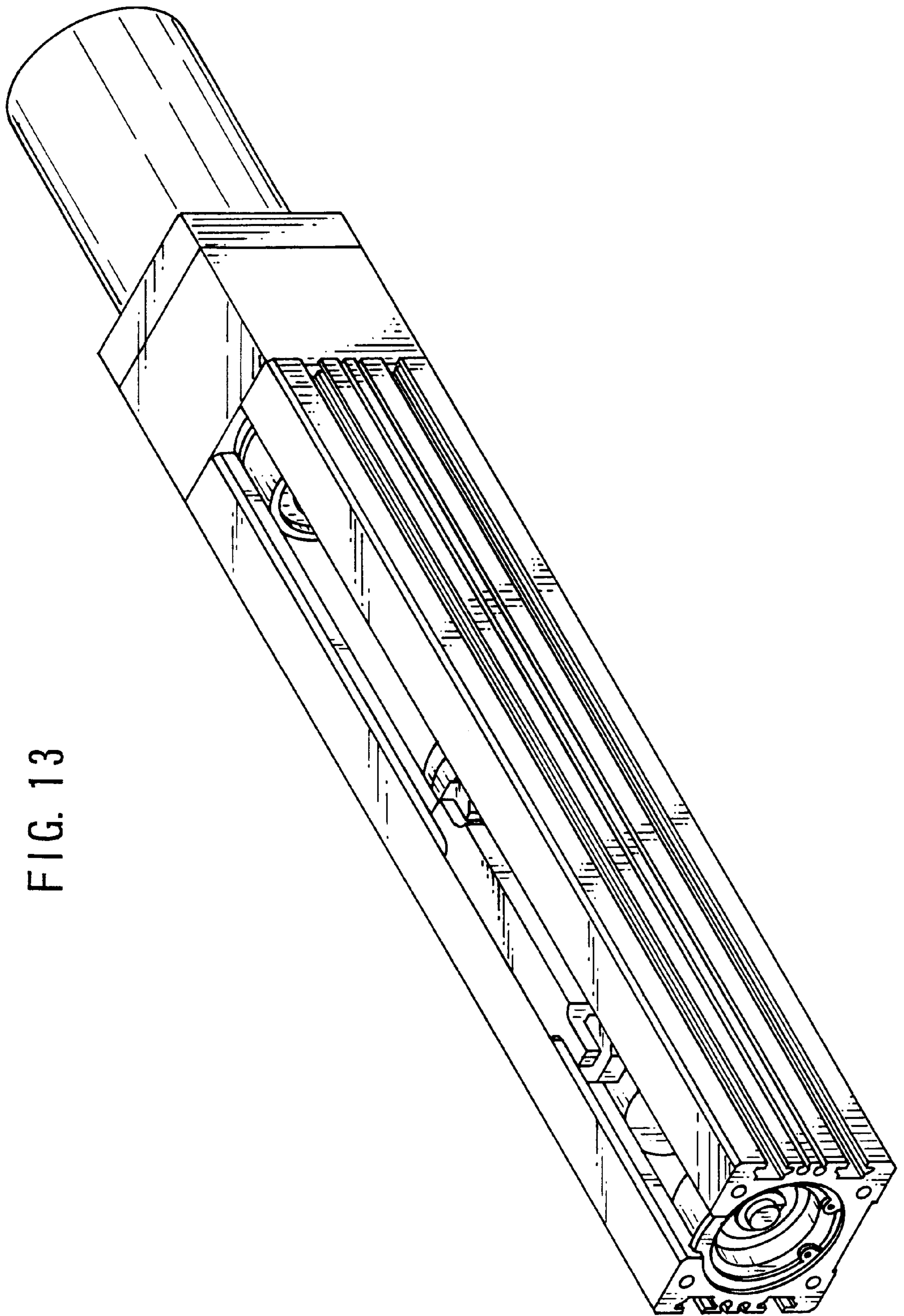


FIG. 13

FIG. 14

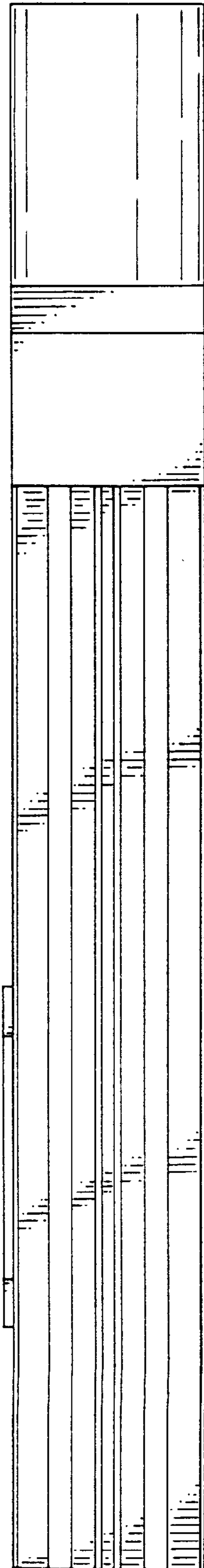


FIG. 15

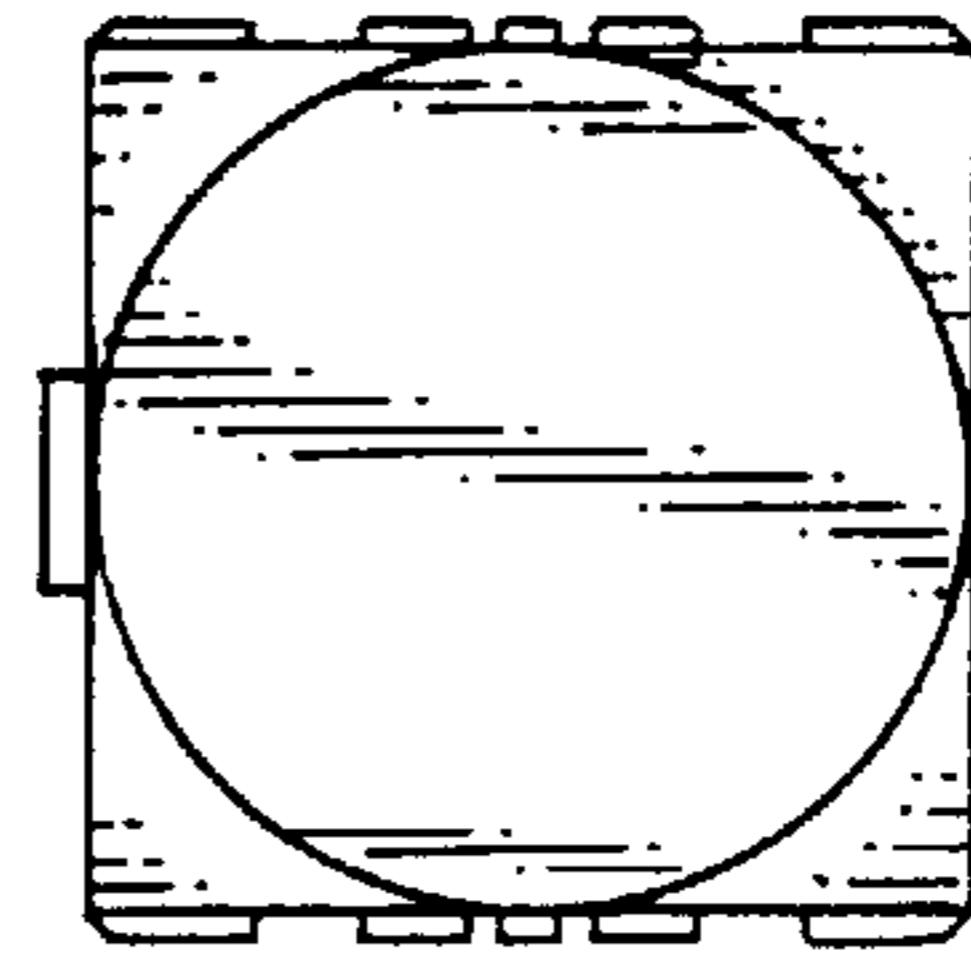


FIG. 16

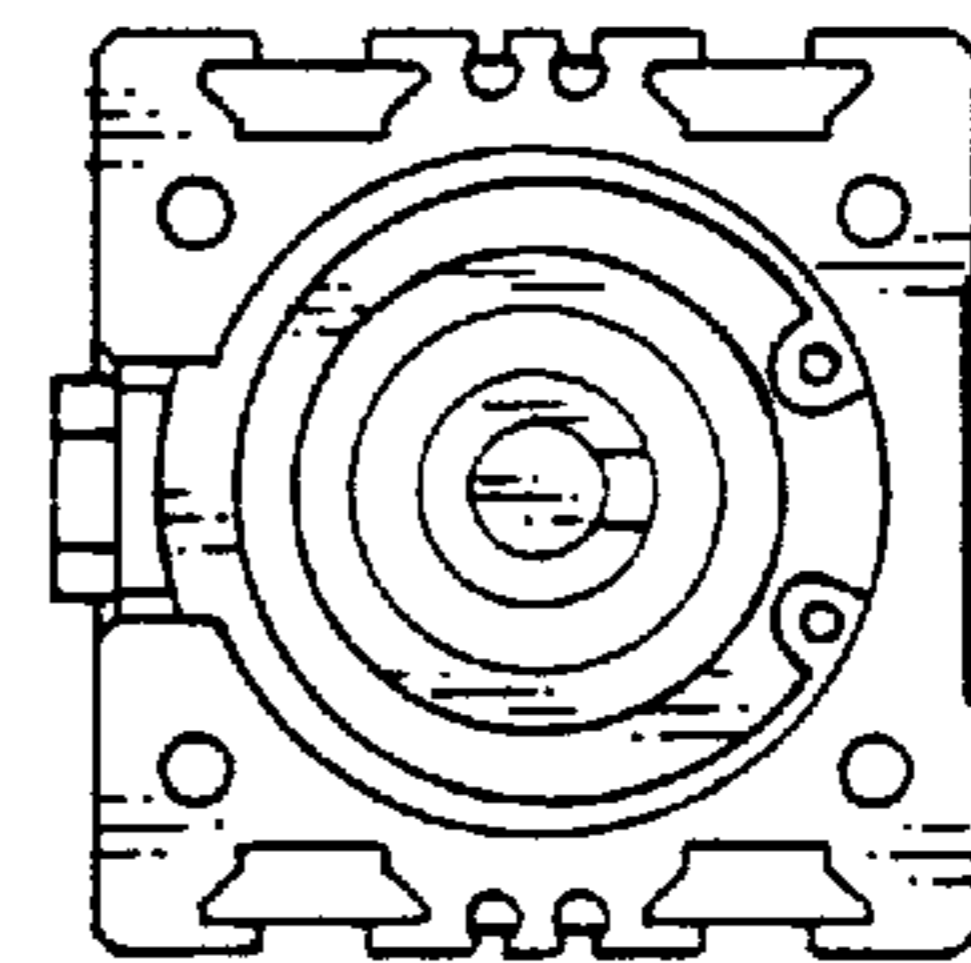


FIG. 17

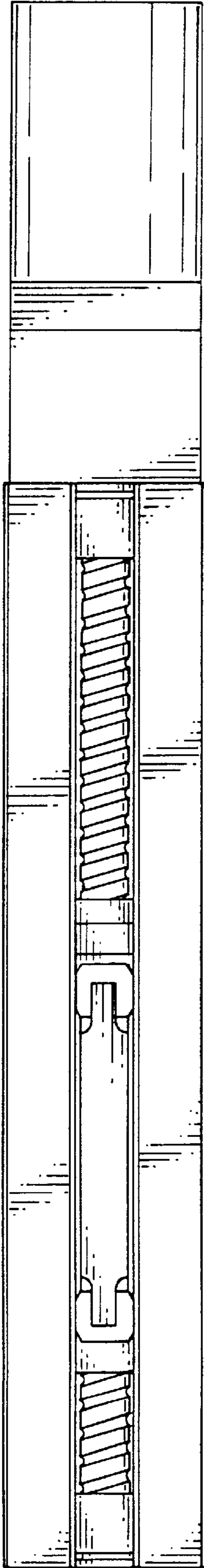


FIG. 18

