



US00D413128S

United States Patent [19]
Martelli

[11] **Patent Number: Des. 413,128**

[45] **Date of Patent: ** Aug. 24, 1999**

[54] **BIAS BINDER FOR A SEWING MACHINE**

[76] Inventor: **John D. Martelli**, 321 S. 61st Ave.,
Pensacola, Fla. 32506

[**] Term: **14 Years**

[21] Appl. No.: **29/077,937**

[22] Filed: **Oct. 15, 1997**

[51] **LOC (6) Cl.** **15-06**

[52] **U.S. Cl.** **D15/72**

[58] **Field of Search** D15/66, 69, 70,
D15/72, 78; 112/142, 147, 153

[56] **References Cited**

U.S. PATENT DOCUMENTS

D. 332,614	1/1993	Lindsay	D15/78
1,433,447	10/1922	Chaeman	112/142
1,836,742	12/1931	Auerbach	112/147
2,120,458	6/1938	Bodle	112/147
5,033,399	7/1991	Miyachi et al.	112/142

Primary Examiner—Sandra L. Morris
Attorney, Agent, or Firm—George A. Bode; Bode & Associates

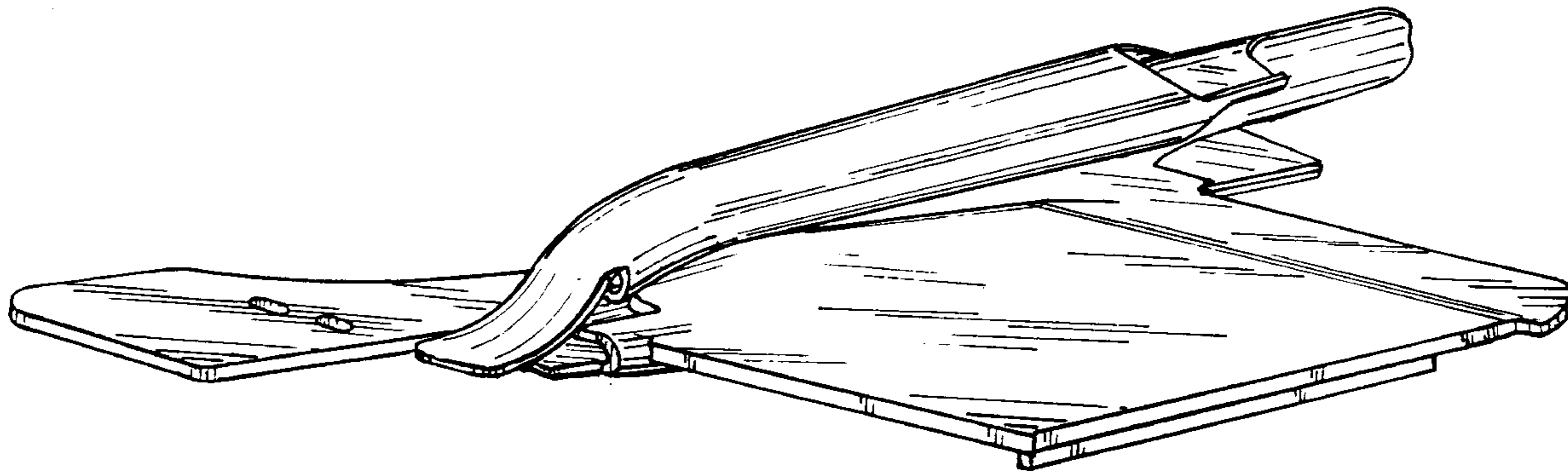
[57] **CLAIM**

The ornamental design for a bias binder for a sewing machine, as shown and described.

DESCRIPTION

FIG. 1 is a top, front and right side perspective view of a bias binder for a sewing machine showing my new design; FIG. 2 is a top plan view thereof; FIG. 3 is a front elevational view thereof; FIG. 4 is a bottom plan view thereof; FIG. 5 is a rear elevational view thereof; FIG. 6 is a left side elevational view thereof; and, FIG. 7 is a right side elevational view thereof. FIGS. 2-7 are shown on an enlarged scale, relative to FIG. 1.

1 Claim, 4 Drawing Sheets



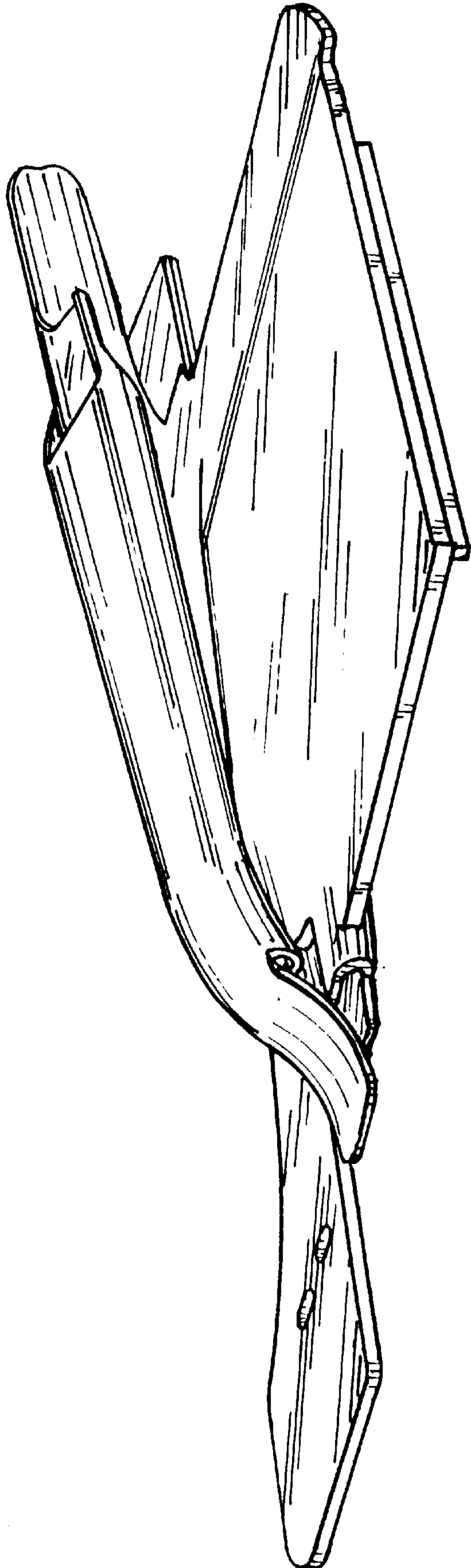


FIG. 1

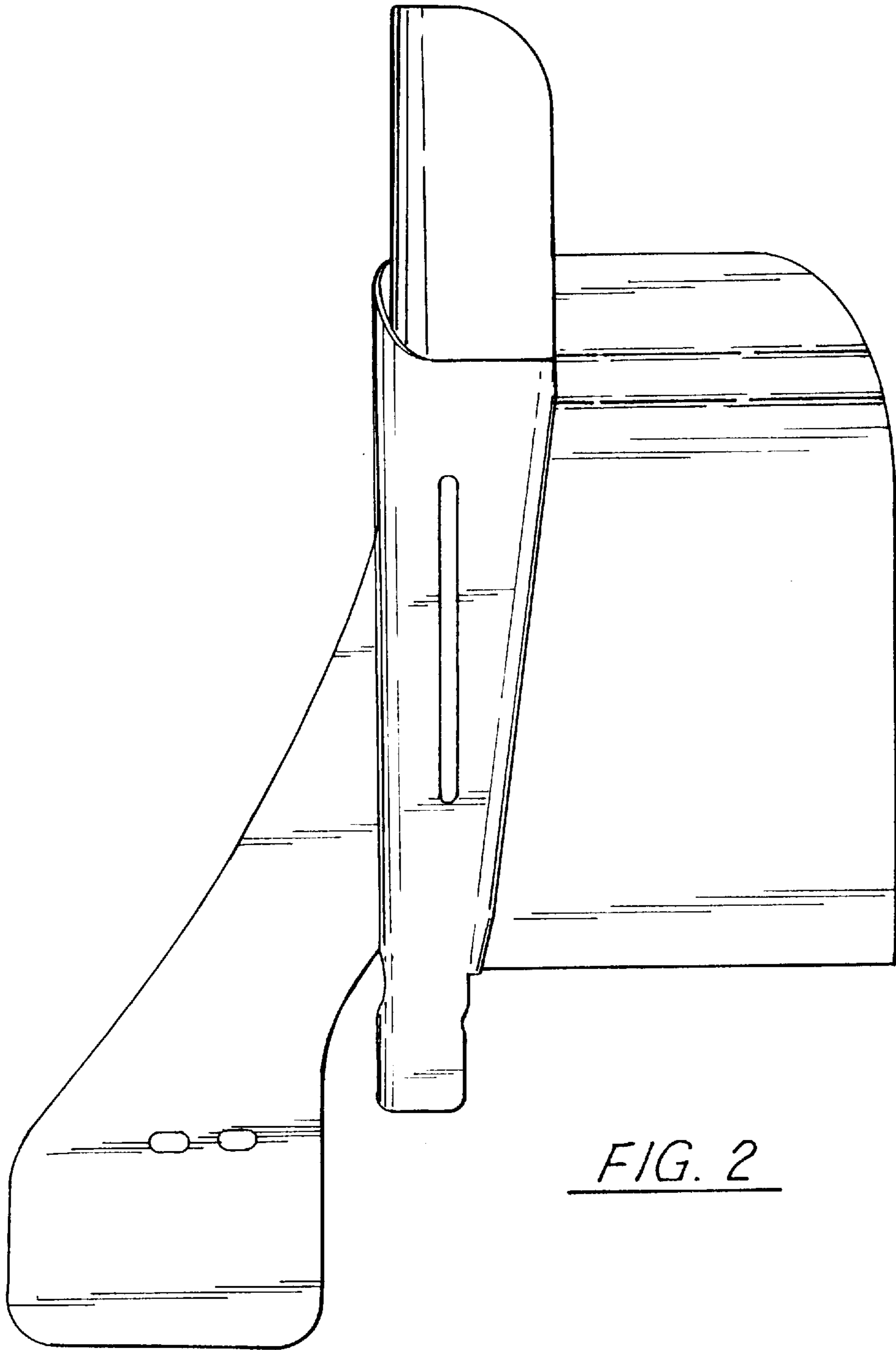


FIG. 2

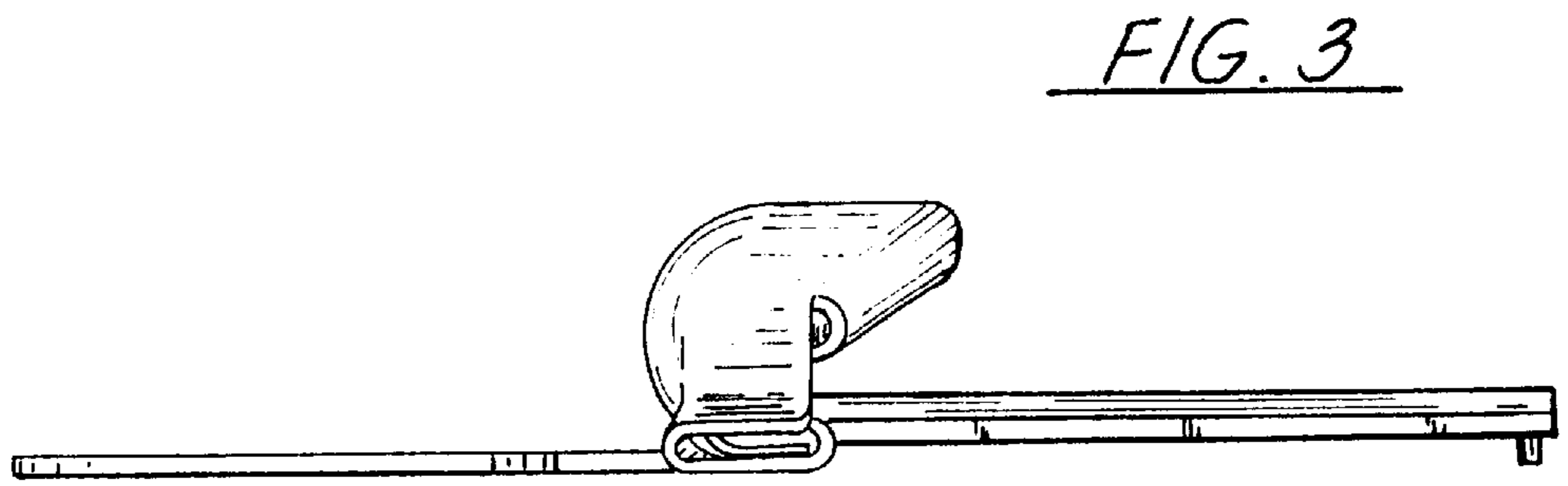


FIG. 3

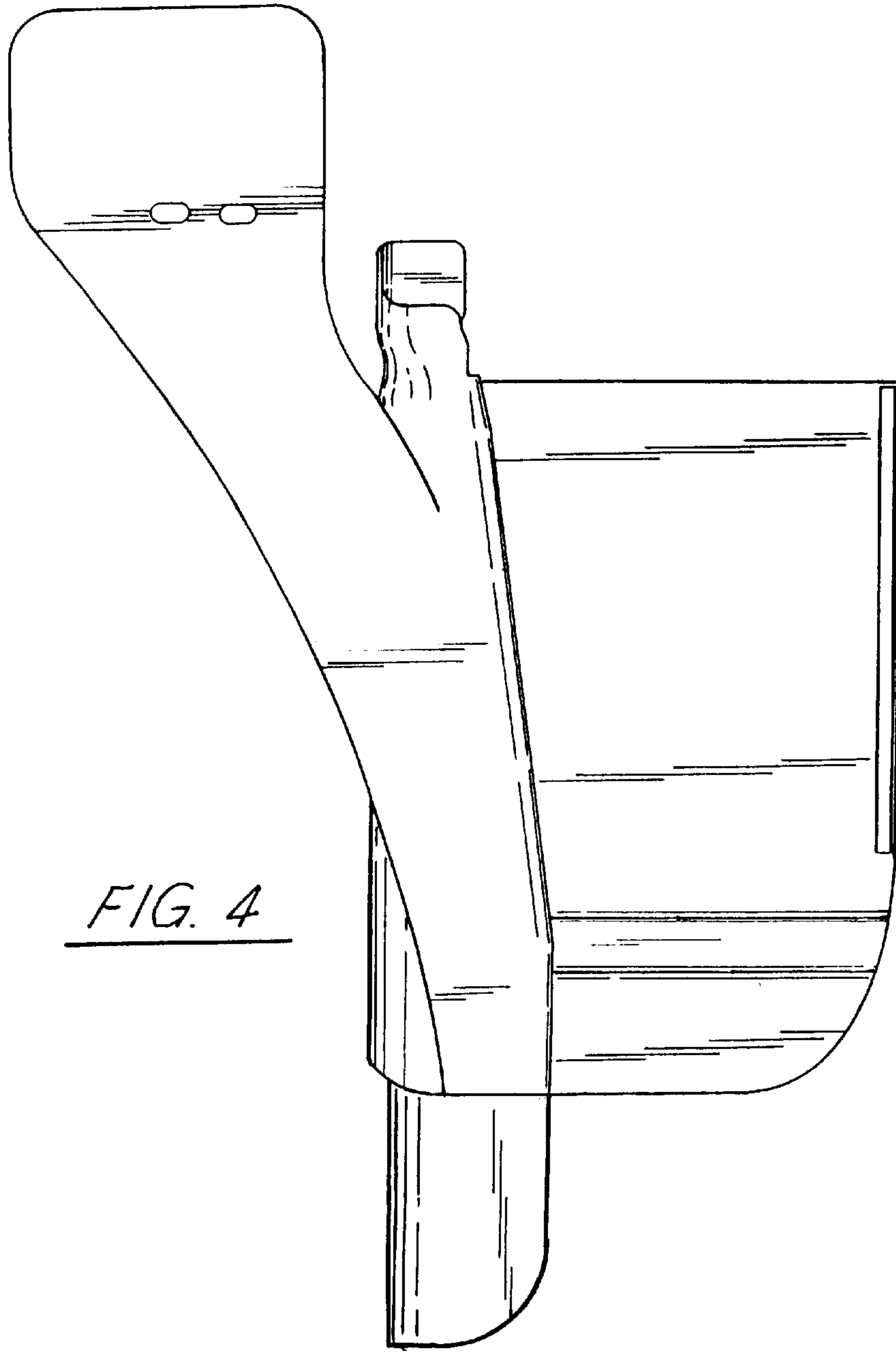


FIG. 4

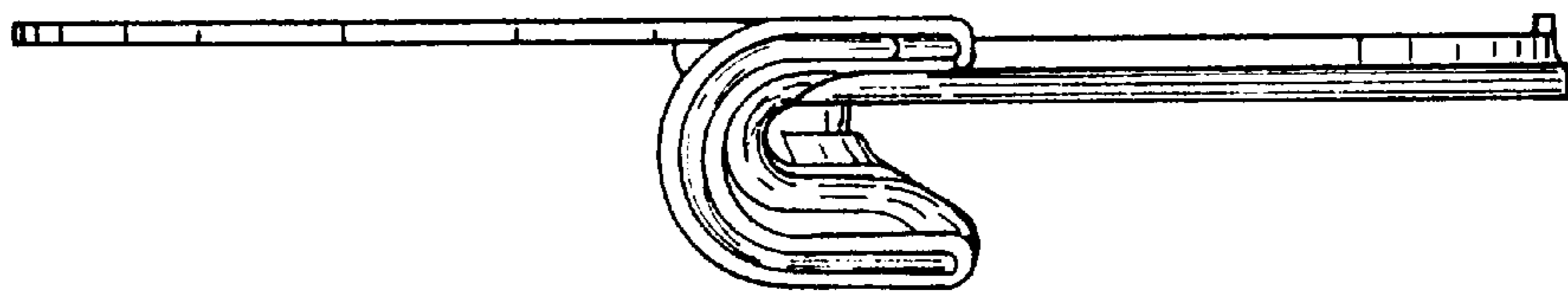


FIG. 5

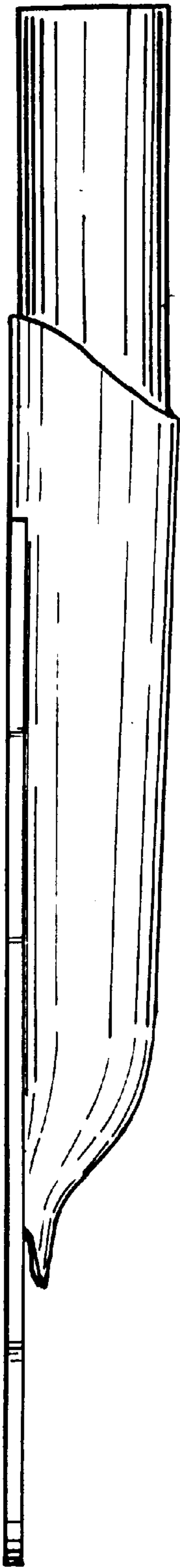


FIG. 6

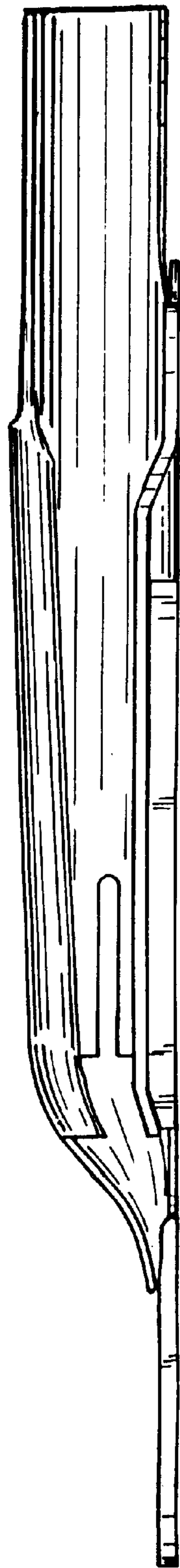


FIG. 7