



US00D413125S

United States Patent [19]

[11] Patent Number: Des. 413,125

Vachon et al.

[45] Date of Patent: ** Aug. 24, 1999

[54] MULTI-PORT HOPPER EXHAUST APPARATUS

[75] Inventors: **Bertrand Vachon**, Thetford Mings, Canada; **Jay J. Kakuk**, Plymouth, Minn.; **Darren Redetzke**, Shakopee, Minn.; **Darrell W. Hinklin**, Excelsior, Minn.

[73] Assignee: **The Toro Company**, Bloomington, Minn.

[**] Term: **14 Years**

[21] Appl. No.: **29/092,861**

[22] Filed: **Aug. 28, 1998**

[51] LOC (6) Cl. **15-03**

[52] U.S. Cl. **D15/17**

[58] Field of Search D15/10, 14-17, D15/28; 56/12.7, 13.4, 13.7, 158, 16.7, 16.8, 17.1, 17.5, 202, 255, 320.1-320.2, DIG. 5; 239/683, 687

[56] References Cited

U.S. PATENT DOCUMENTS

D. 321,889	11/1991	Burns et al.	D15/17
D. 381,480	7/1997	Linville et al.	D32/30
2,974,963	3/1961	McBride	56/DIG. 5
3,708,968	1/1973	Enters et al.	56/16.5
3,710,412	1/1973	Hollowell	15/340
3,716,977	2/1973	Jackson	56/202
3,722,192	3/1973	Corbett	56/202
3,974,631	8/1976	Rhodes	56/202
3,987,606	10/1976	Evans	56/13.4
4,043,100	8/1977	Aumann et al.	56/16.5
4,095,398	6/1978	Aumann et al.	56/202
4,104,852	8/1978	Tackett	56/202
4,310,998	1/1982	Cuba	56/202
4,426,830	1/1984	Tackett	56/202
4,433,532	2/1984	McCunn	56/320.2
4,535,501	8/1985	Hollowell et al.	15/339

4,589,249	5/1986	Walker et al.	56/16.6
4,614,080	9/1986	Hoepfner et al.	56/16.6
4,631,909	12/1986	McLane	56/202
4,819,417	4/1989	Bryant et al.	56/202
4,868,948	9/1989	Arnold	15/340.1
4,922,696	5/1990	Burns et al.	56/202
4,964,266	10/1990	Kolb	56/202
4,969,320	11/1990	Langford	56/16.6
5,058,235	10/1991	Charky	15/340.1
5,195,310	3/1993	Kettler et al.	56/202
5,321,939	6/1994	Fuse et al.	56/10.2
5,425,223	6/1995	DeLaRonde	56/10.2
5,605,033	2/1997	Olmr	56/10.2

OTHER PUBLICATIONS

Yard & Garden Tractors Lawn Tractors Rear-Engine Riders, TORO Wheel Horse Tractors & Riding Mowes, 1994 (5 pgs).

Lawn and Garden Tractors, TORO Wheel Horse Tractors & Riding Mowers, 1993 (5 pgs).

Primary Examiner—Sandra L. Morris
Attorney, Agent, or Firm—Mau & Krull, P.A.

[57] CLAIM

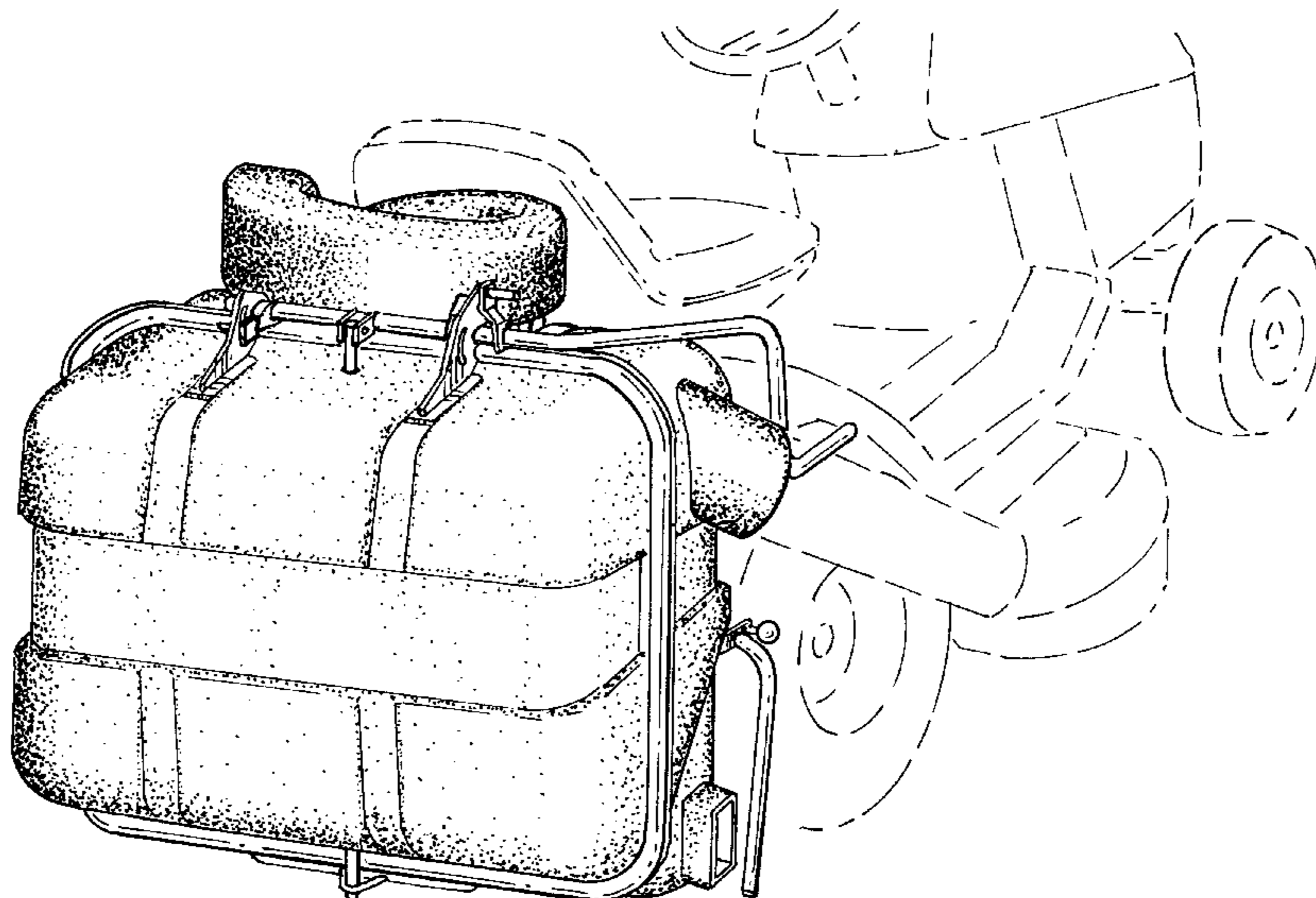
The ornamental design for a multi-port hopper exhaust apparatus, as shown and described.

DESCRIPTION

FIG. 1 is a top perspective view of a multi-port hopper exhaust apparatus showing our new design; FIG. 2 is a rear elevational view thereof; FIG. 3 is a left side elevational view thereof; FIG. 4 is a right side elevational view thereof; FIG. 5 is a front elevational view thereof; FIG. 6 is a top plan view thereof; and, FIG. 7 is a bottom plan view thereof.

The broken line showing of the lawnmower in FIG. 1 is for illustrative purposes only, and forms no part of the claimed design.

1 Claim, 4 Drawing Sheets



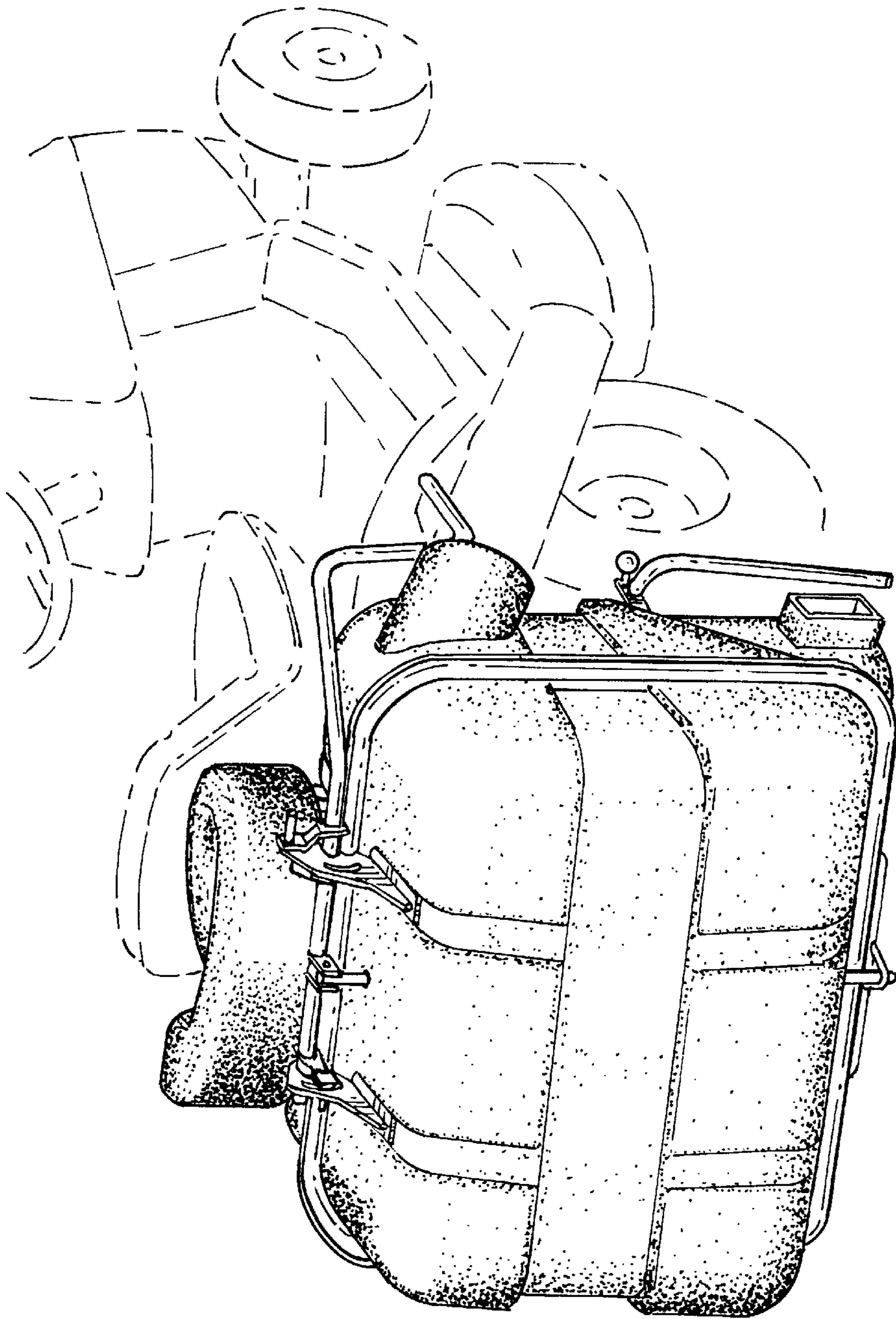


FIG. 1

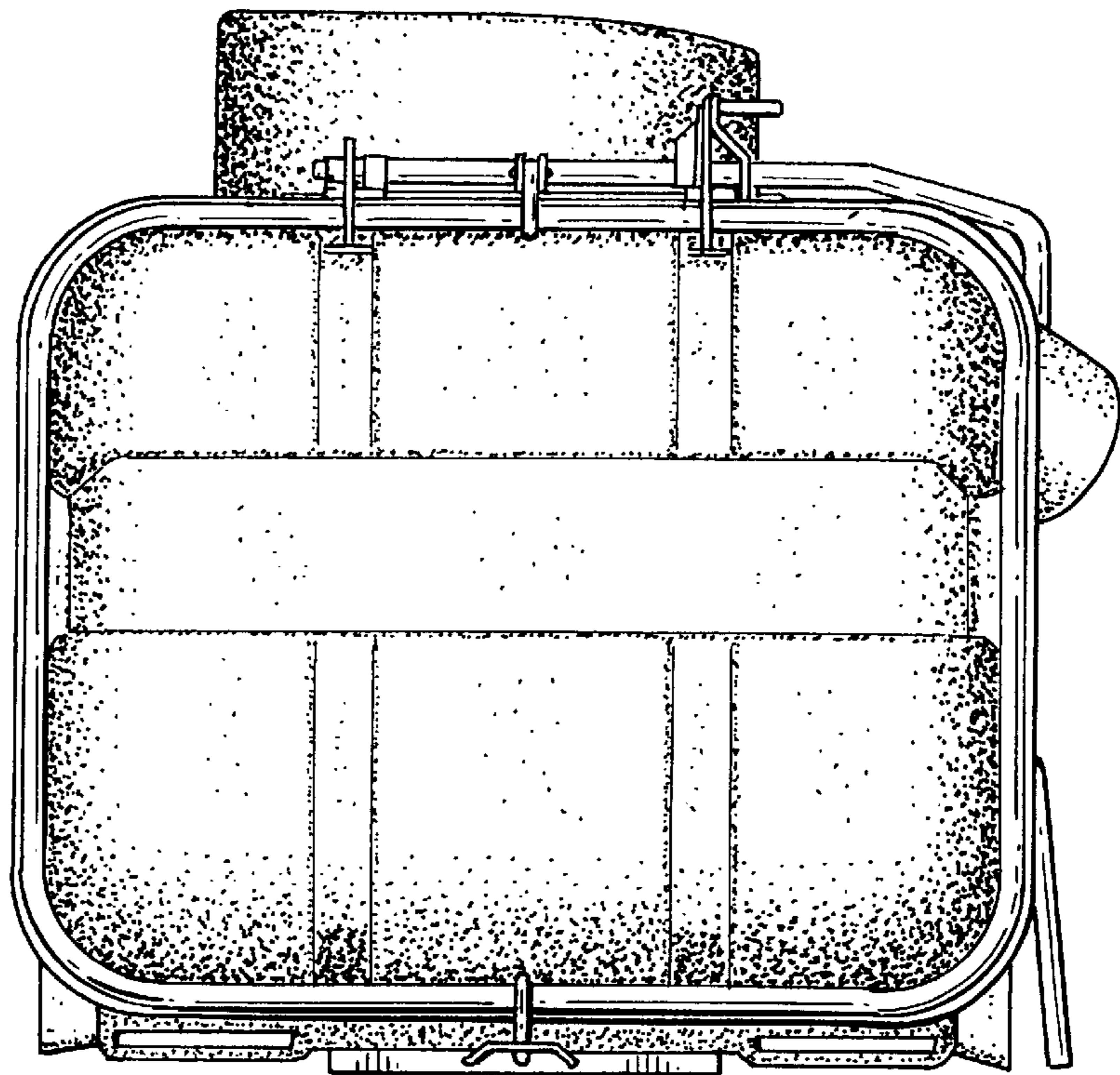


FIG. 2

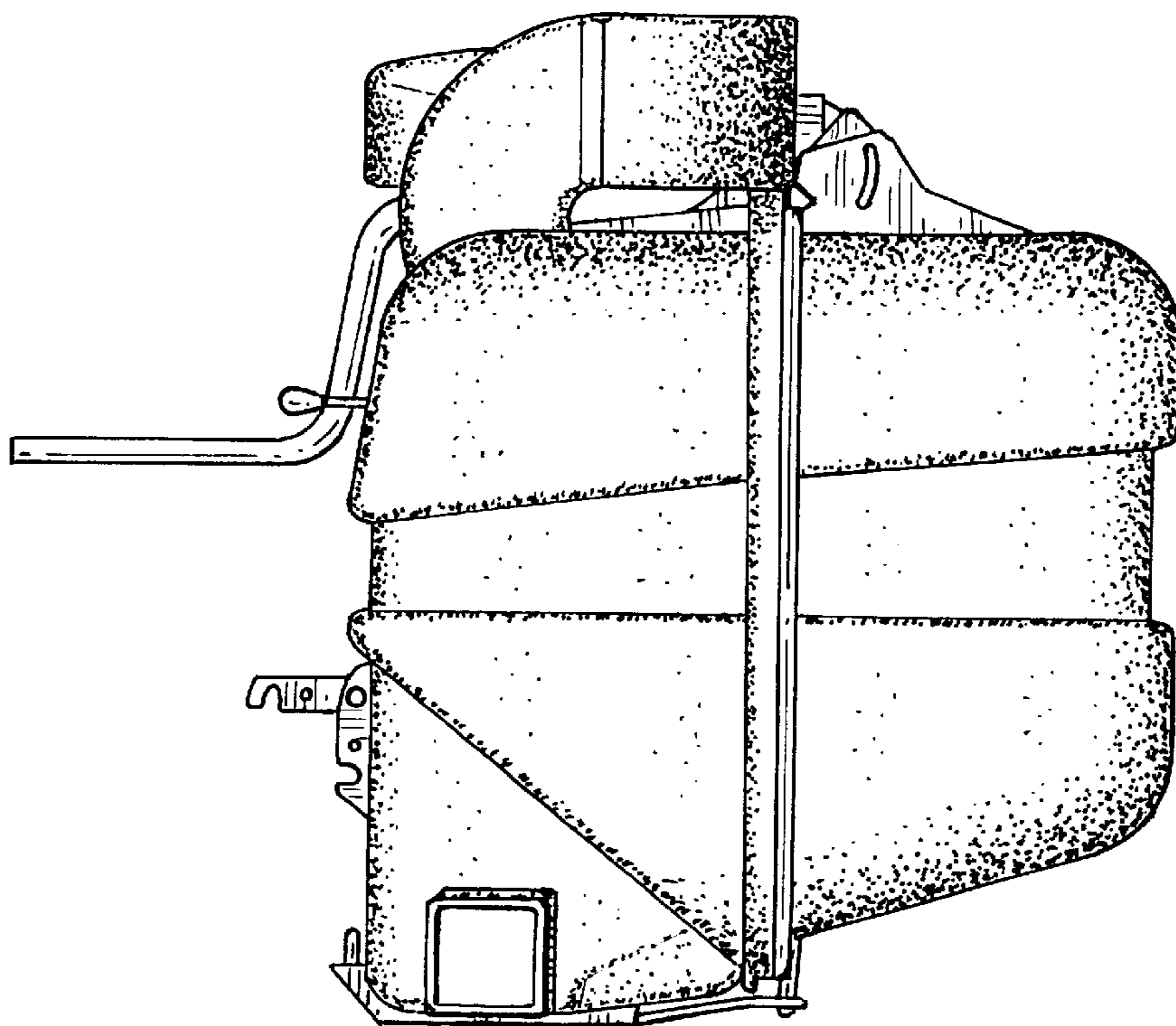


FIG. 3

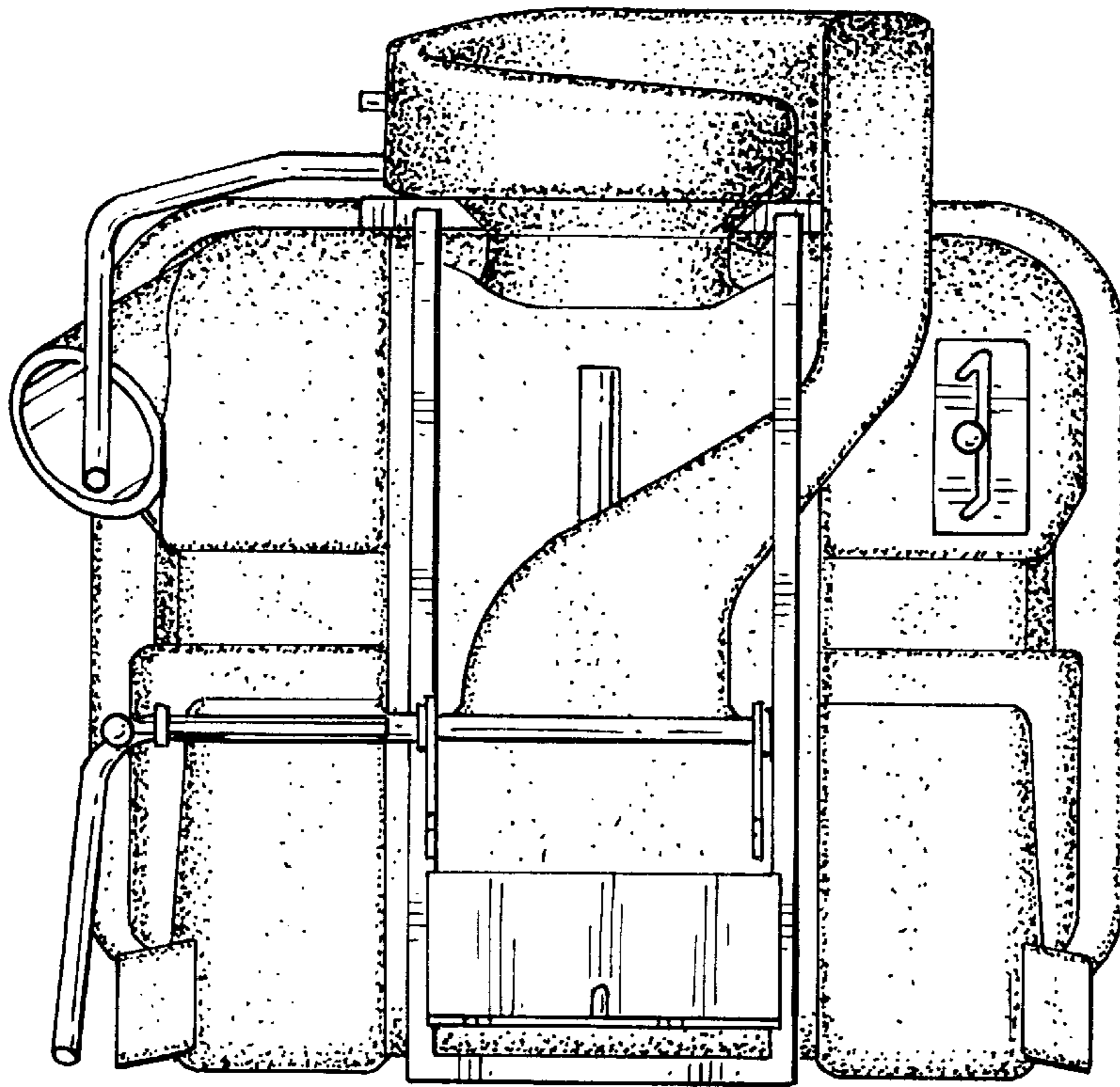


FIG. 5

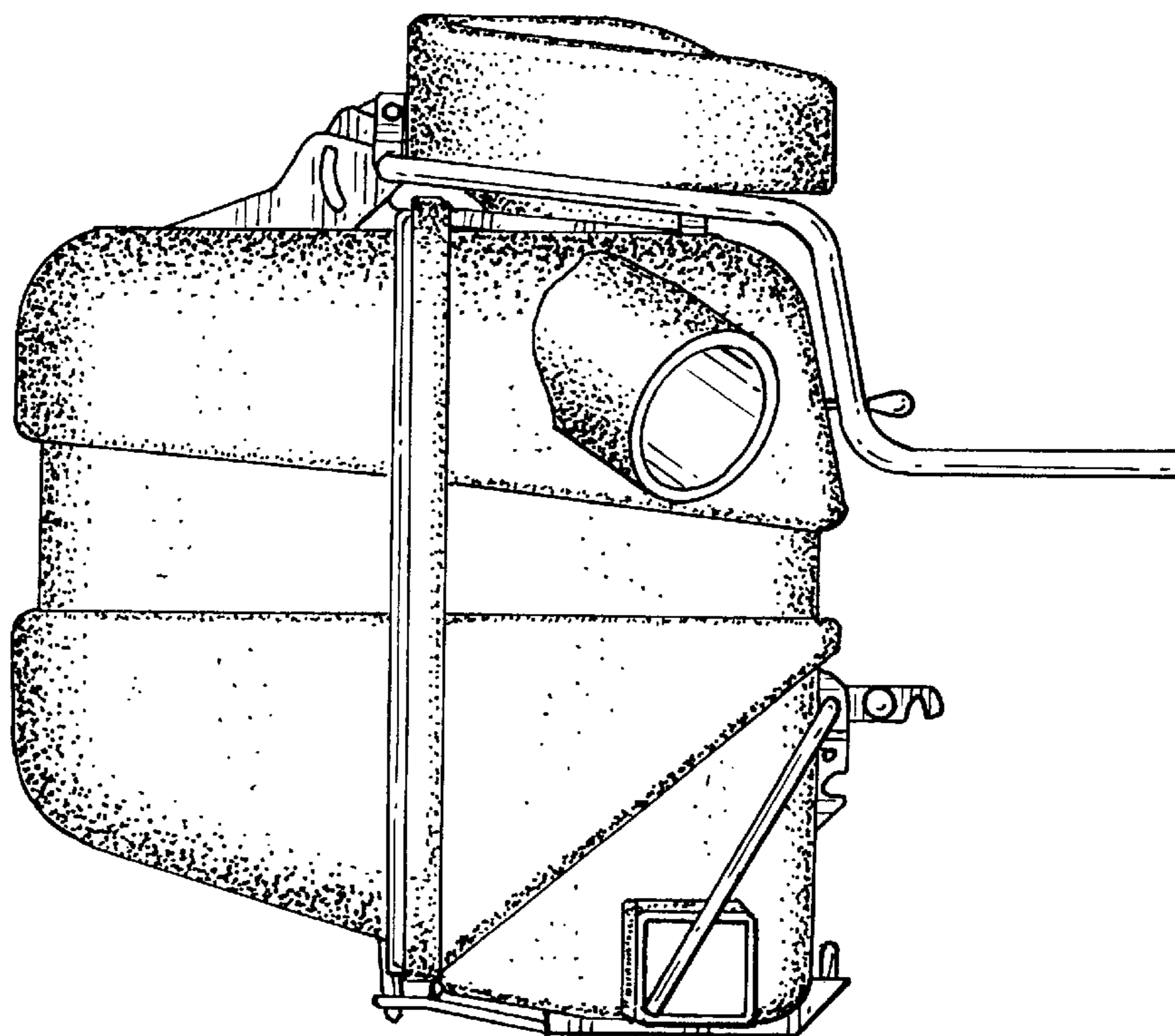


FIG. 4

FIG. 6

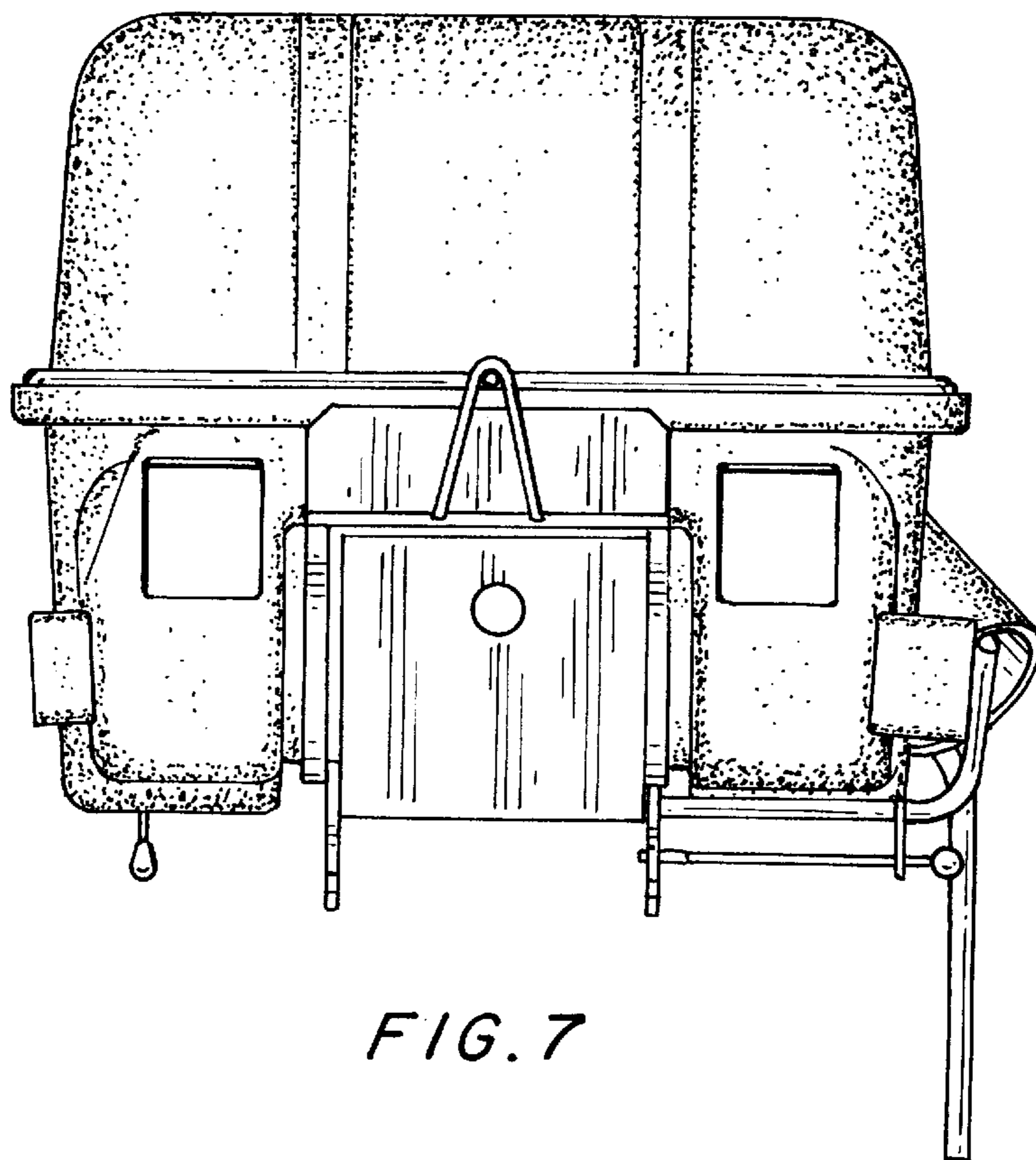
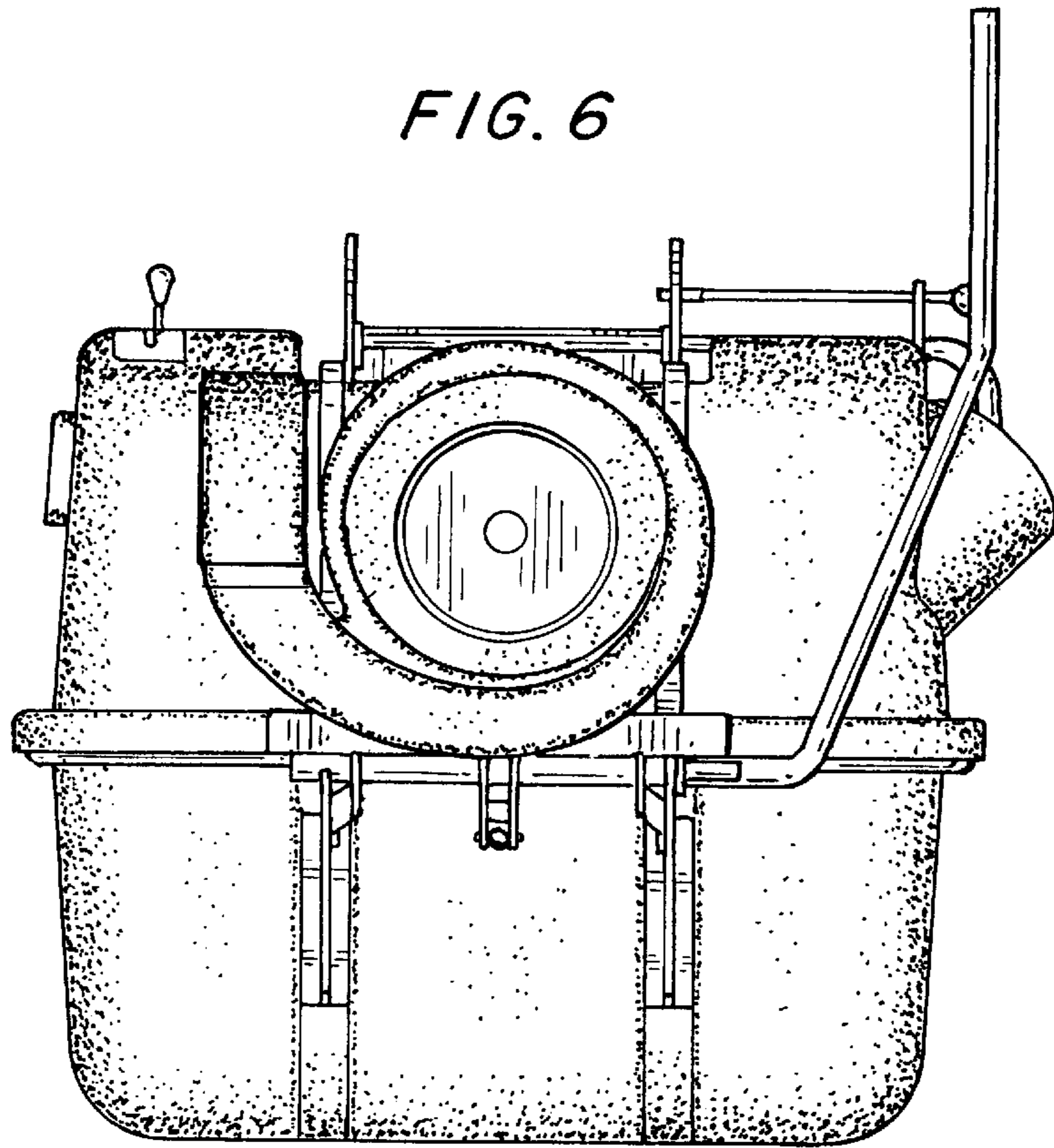


FIG. 7