



US00D413123S

United States Patent [19]

Leonhard et al.

[11] Patent Number: Des. 413,123

[45] Date of Patent: ** Aug. 24, 1999

[54] MODULAR PUMP

[75] Inventors: **Todd W. Leonhard**, Sheboygan; **Mark E. O'Connell**, Cedar Grove, both of Wis.

[73] Assignee: **Thomas Industries, Inc.**, Sheboygan, Wis.

[**] Term: **14 Years**

[21] Appl. No.: **29/093,971**

[22] Filed: **Sep. 22, 1998**

[51] LOC (6) Cl. **15-02**

[52] U.S. Cl. **D15/7**

[58] Field of Search D15/7-9; D24/356, D24/110; 128/204.18, 200.14, 200.16, 200.18, 203.12

[56] References Cited

U.S. PATENT DOCUMENTS

- D. 355,918 2/1995 Wang D15/9
- D. 358,874 5/1995 Cuning D23/356

- D. 378,128 2/1997 Rozek et al. D24/110
- D. 384,081 9/1997 Wang D15/7
- D. 394,440 5/1998 Chen D15/9

Primary Examiner—Ralf Seifert
Attorney, Agent, or Firm—Quarles & Brady LLP

[57] CLAIM

The ornamental design for a modular pump, as shown and described.

DESCRIPTION

FIG. 1 is a top, front and right side perspective view of a modular pump showing my new design;
 FIG. 2 is a top plan view thereof;
 FIG. 3 is a bottom plan view thereof;
 FIG. 4 is a front elevational view thereof;
 FIG. 5 is a rear elevational view thereof;
 FIG. 6 is a right side elevational view thereof; and,
 FIG. 7 is a left side elevational view thereof.

The broken line representations of items in FIGS. 1-7, are for purposes of illustration only, and form no part of the claimed design.

1 Claim, 4 Drawing Sheets

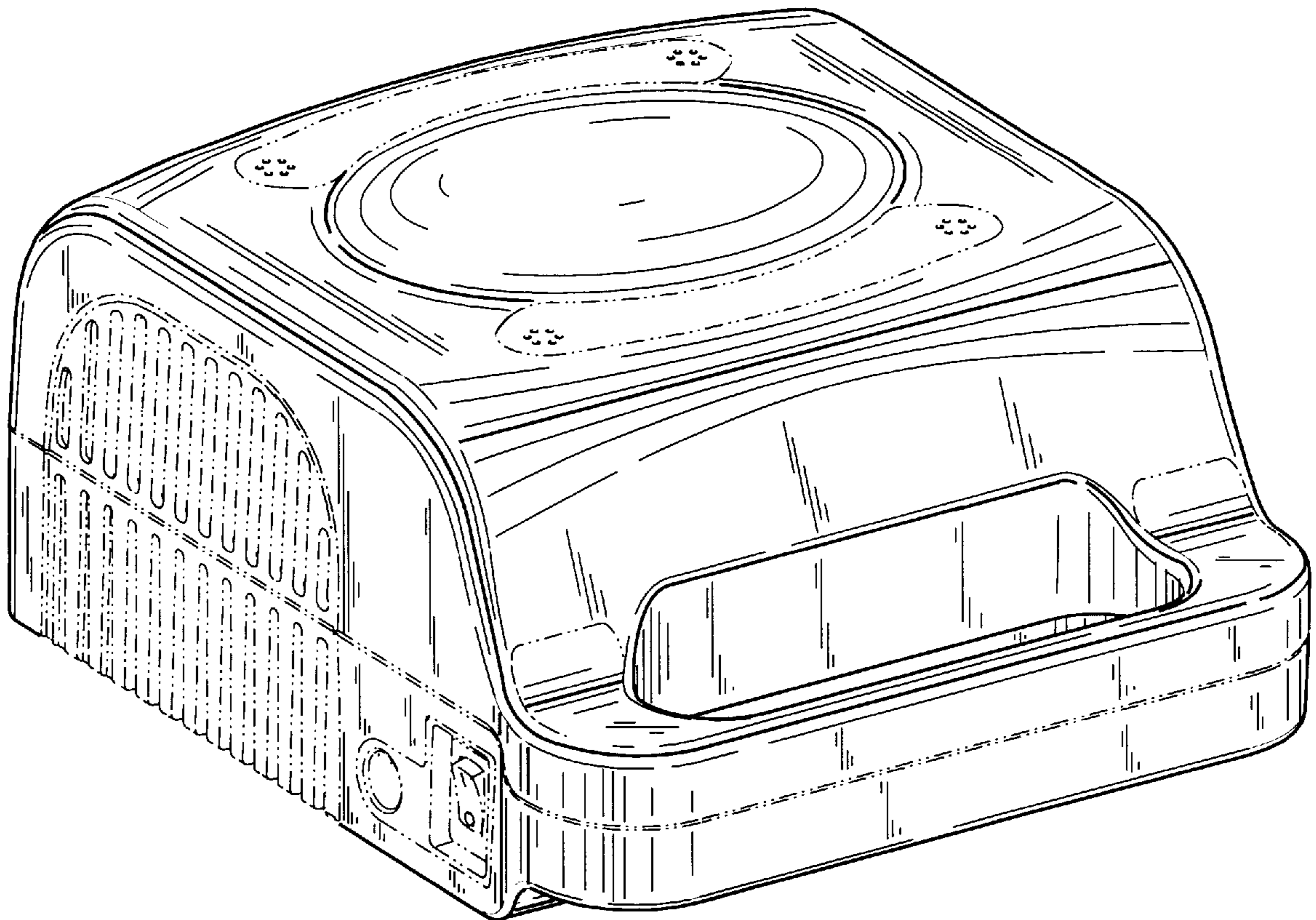


FIG. 1

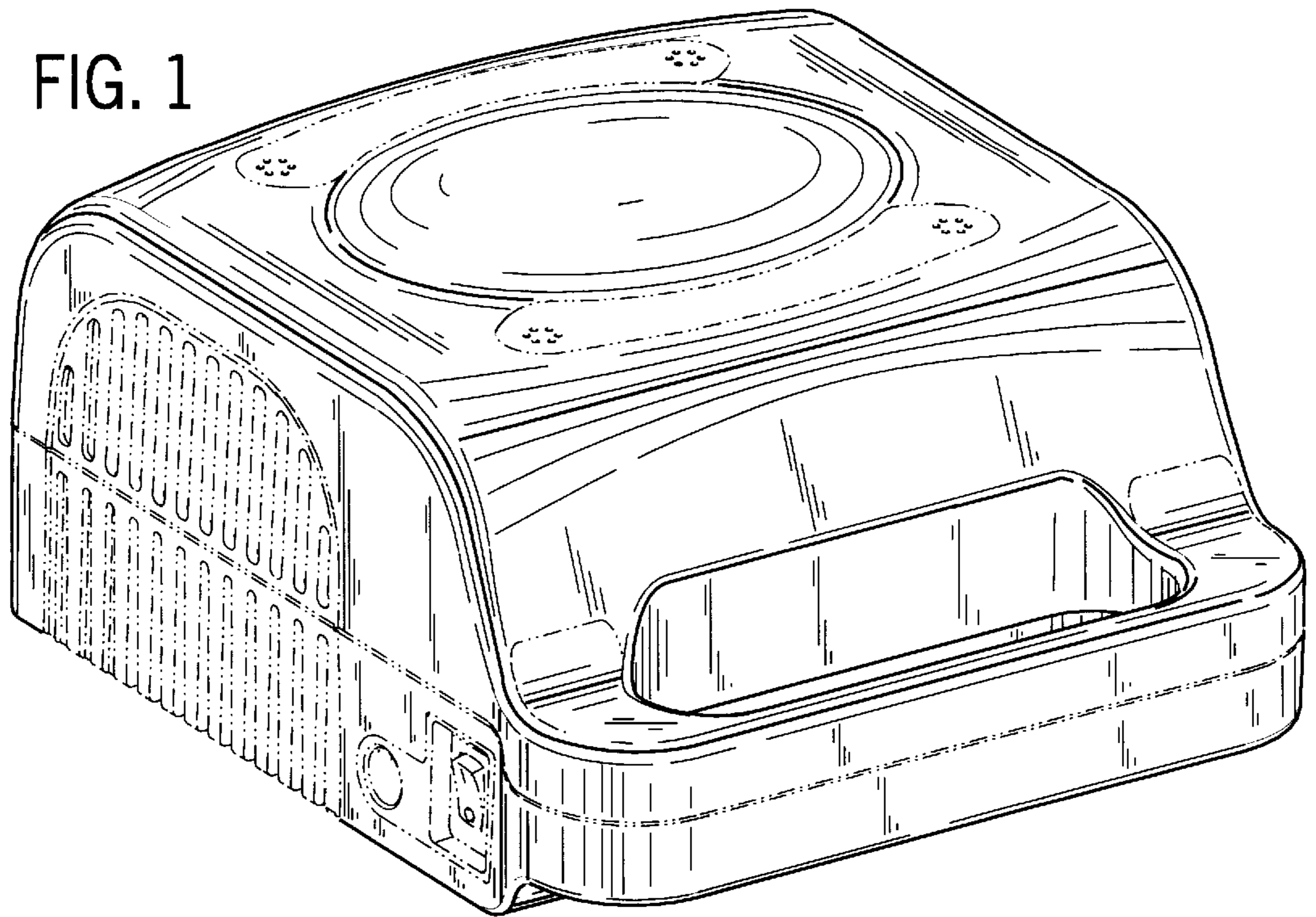


FIG. 2

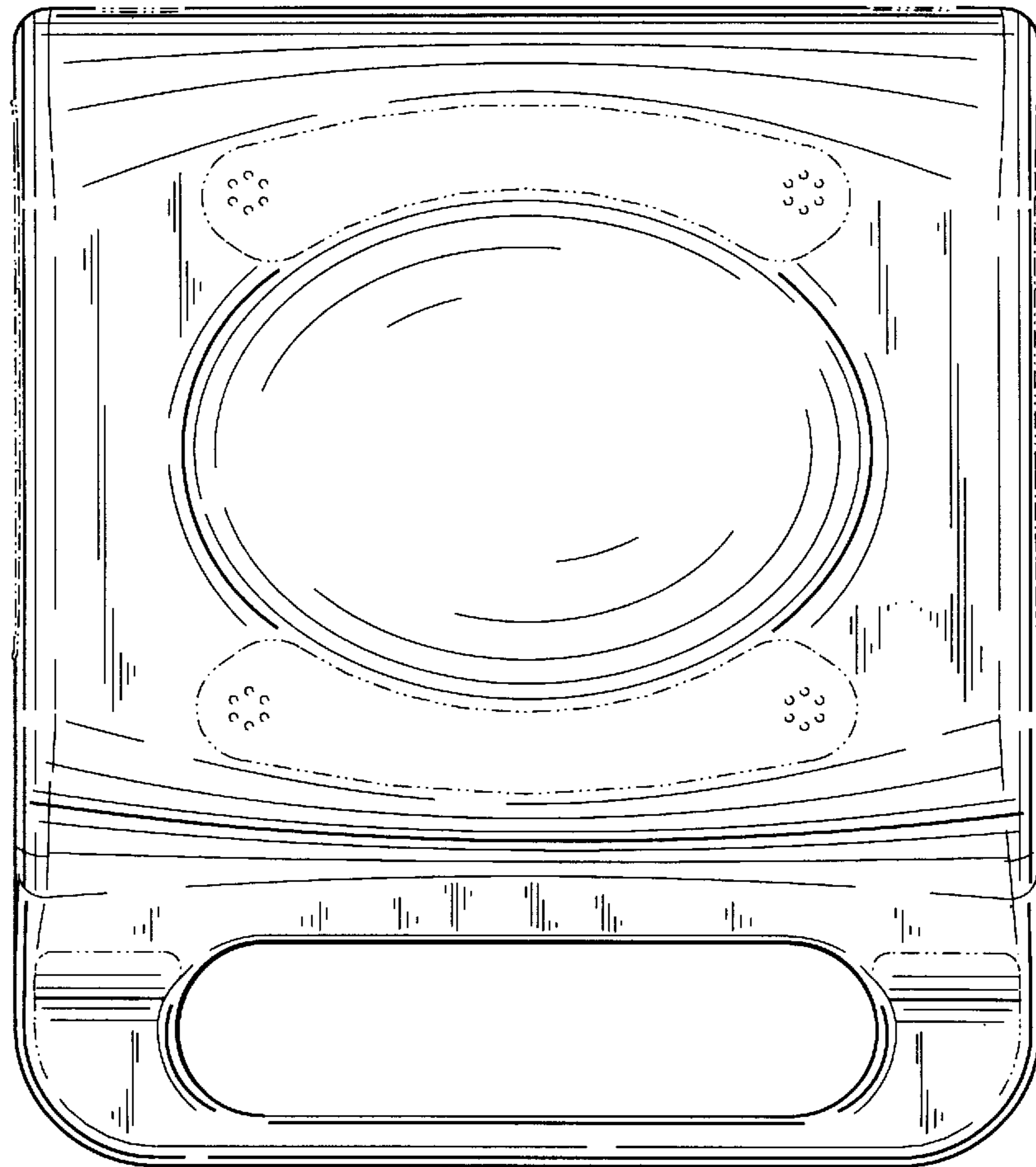


FIG. 3

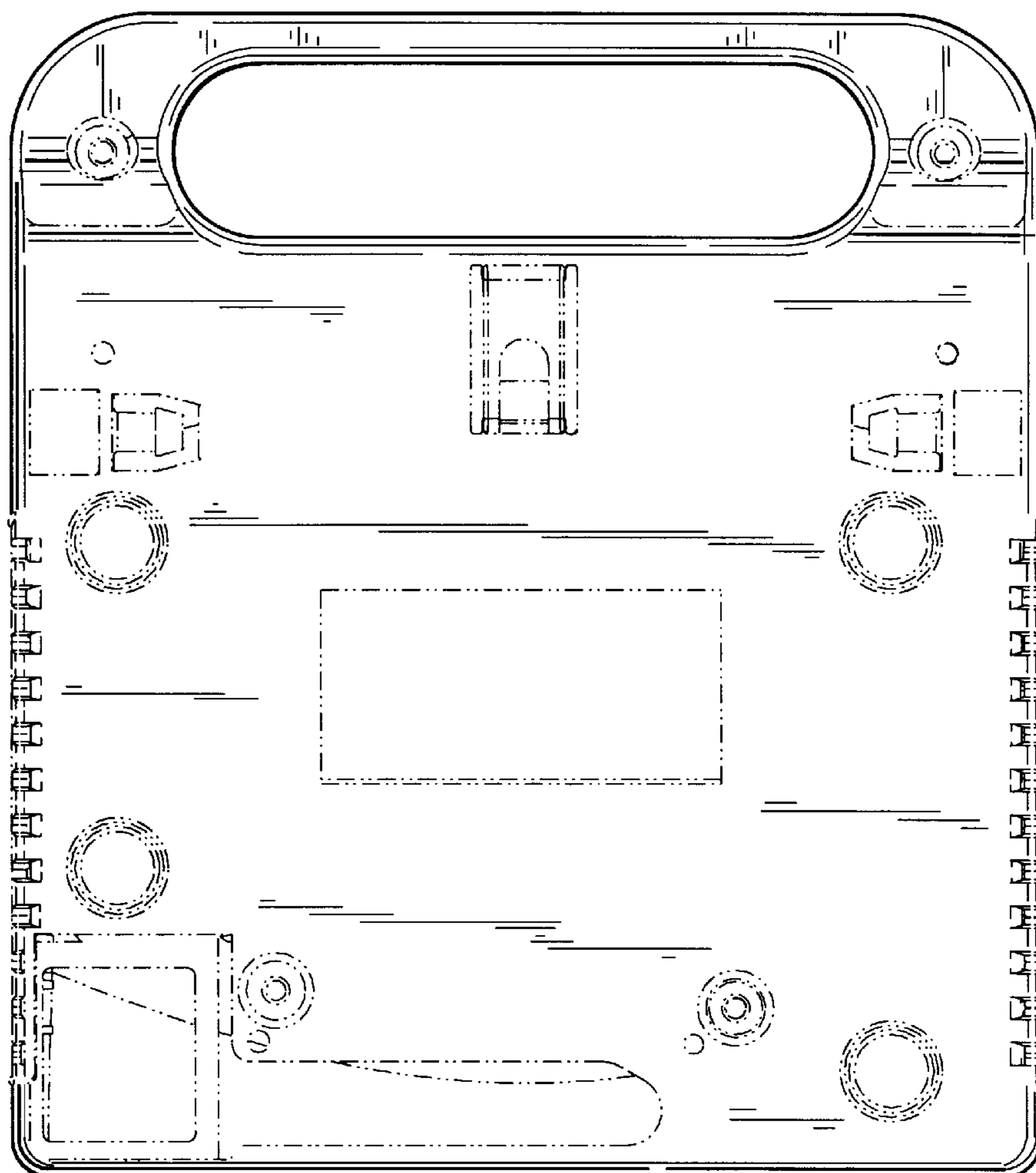


FIG. 4

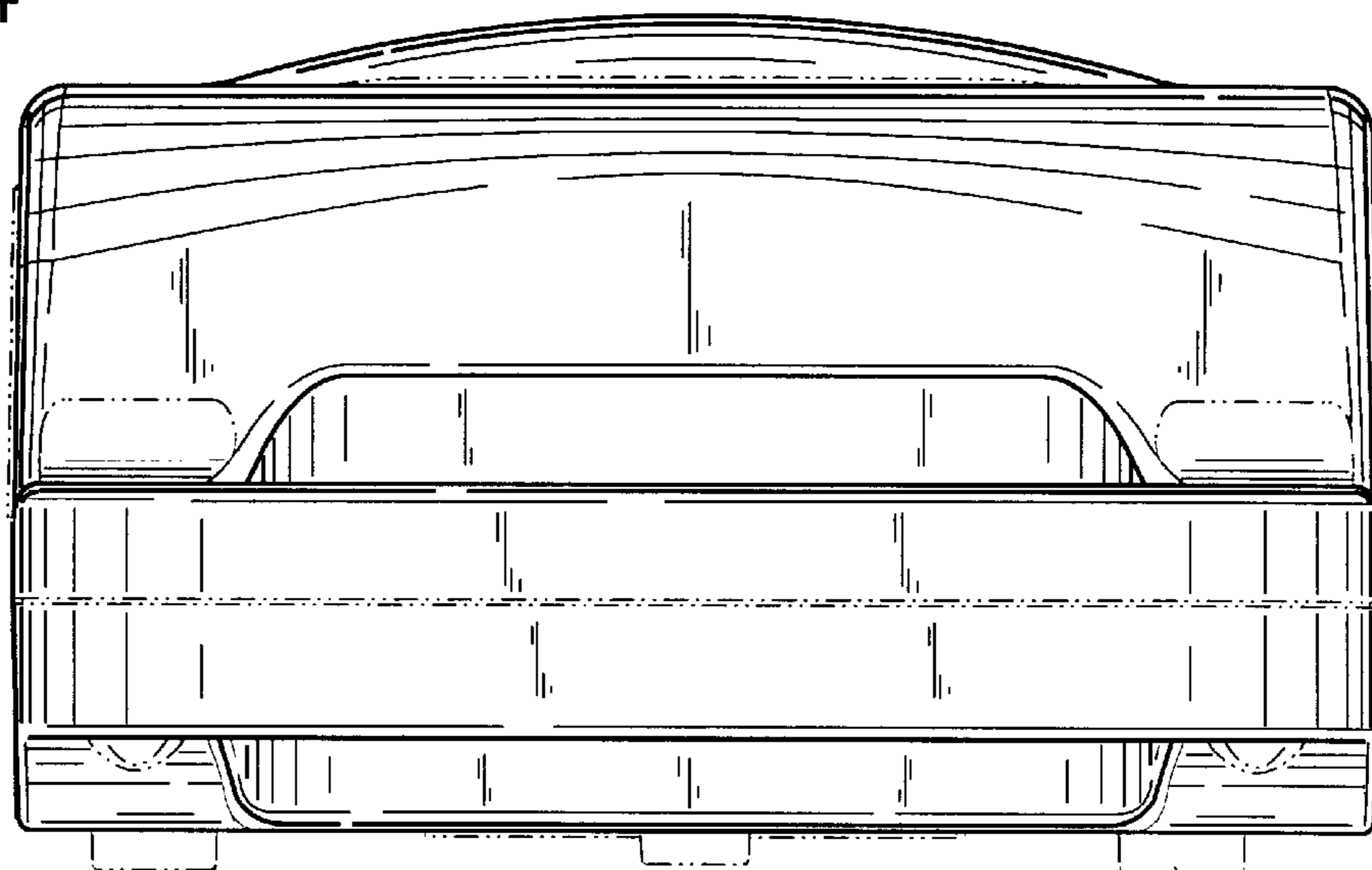


FIG. 5

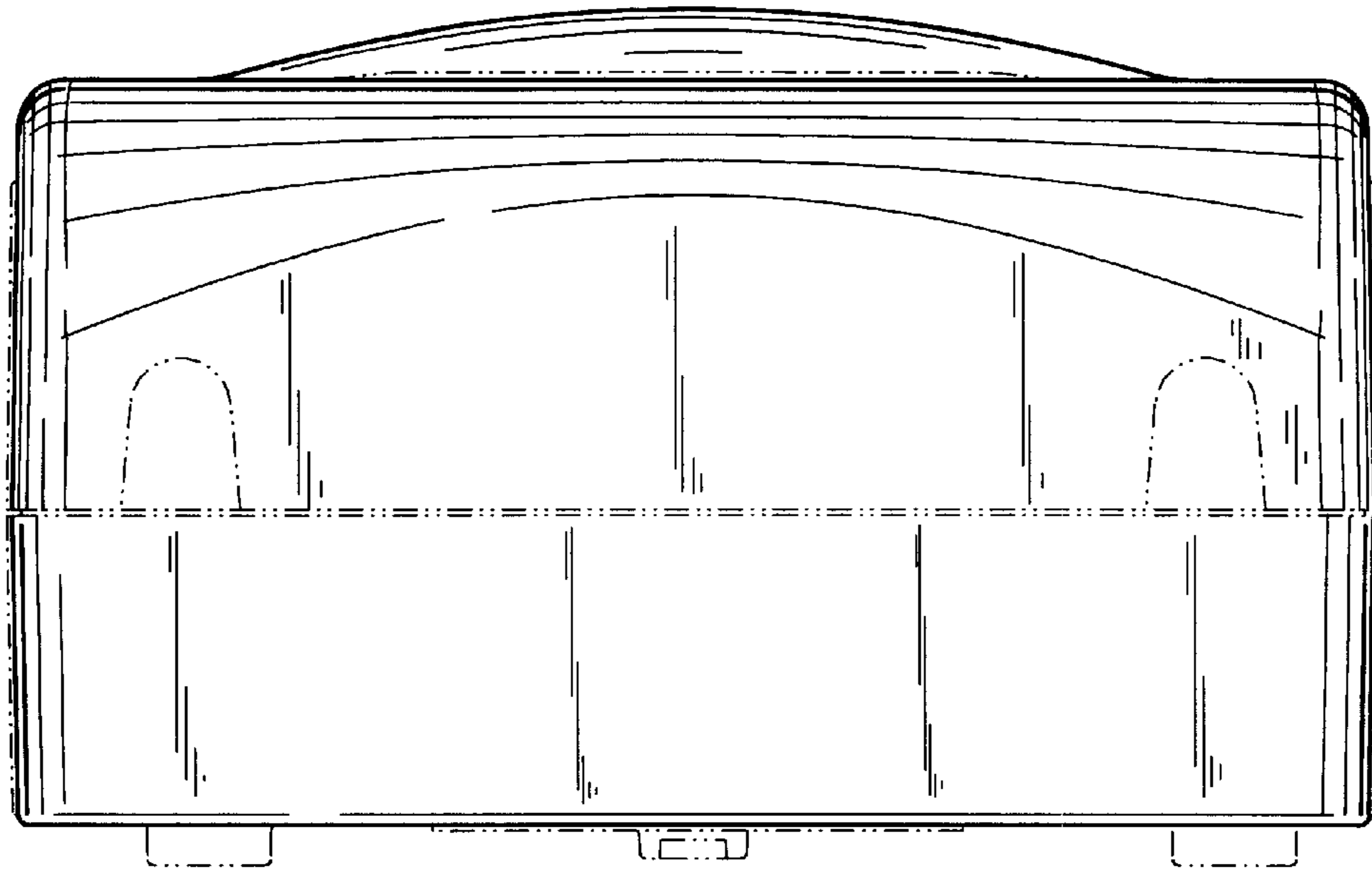


FIG. 6

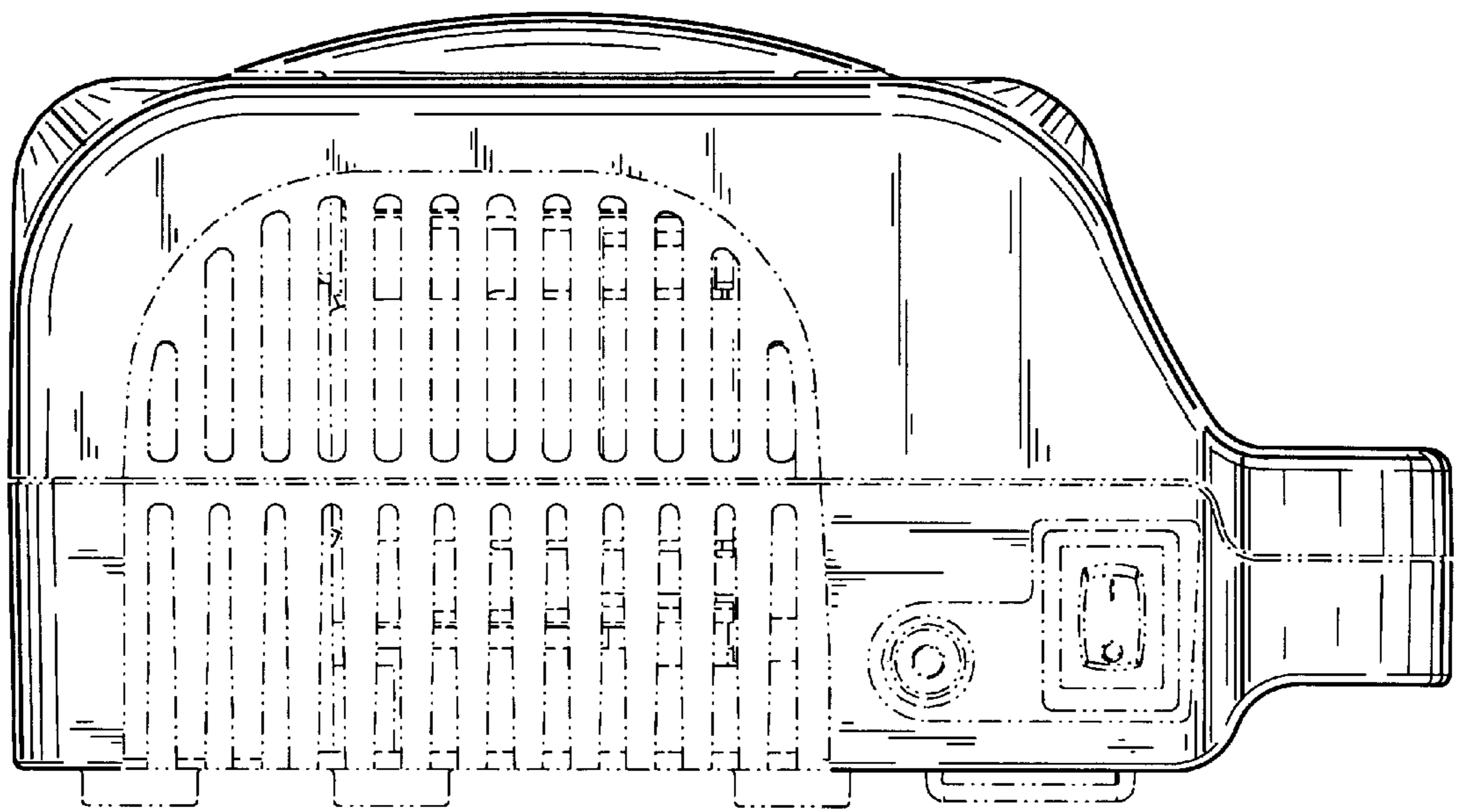


FIG. 7

