



US00D413108S

# United States Patent [19] Suzuki

[11] Patent Number: Des. 413,108

[45] Date of Patent: \*\* Aug. 24, 1999

[54] **APPARATUS FOR EXTENSION OF  
FUNCTION OF ELECTRONIC COMPUTERS**

[75] Inventor: **Shogo Suzuki**, Chiba-ken, Japan

[73] Assignee: **Kabushiki Kaisha Toshiba**, Kawasaki,  
Japan

[\*\*] Term: **14 Years**

[21] Appl. No.: **29/087,096**

[22] Filed: **Apr. 28, 1998**

[30] **Foreign Application Priority Data**

Dec. 17, 1997 [JP] Japan ..... 9-78464

[51] **LOC (6) Cl.** ..... **14-02**

[52] **U.S. Cl.** ..... **D14/107**

[58] **Field of Search** ..... D14/100, 107,  
D14/109, 114; 439/639, 540.1, 638-9, 635,  
676, 95, 240; 361/683-686; D13/146-7,  
184, 199

[56] **References Cited**

**U.S. PATENT DOCUMENTS**

D. 332,091	12/1992	Iino .	
D. 336,287	6/1993	Mizusugi et al. .	
D. 359,034	6/1995	Kondo .	
D. 369,789	5/1996	Lucente, II et al. ....	D14/107
D. 394,247	5/1998	Kondo .....	D14/107
D. 394,645	5/1998	Inoue .....	D14/107
5,535,093	7/1996	Noguchi et al. ....	361/686

**FOREIGN PATENT DOCUMENTS**

M94 04 957	12/1994	Germany .
M94 04 958	12/1994	Germany .
M94 04 969	12/1994	Germany .
844726	8/1992	Japan .
901663	6/1994	Japan .
972535	1/1997	Japan .
255690	8/1995	Taiwan .

**OTHER PUBLICATIONS**

MACLIFE, p. 206, 1993.

*Primary Examiner*—M. H. Tung

*Attorney, Agent, or Firm*—Banner & Witcoff, Ltd.

[57] **CLAIM**

The ornamental design for an apparatus for extension of function of electronic computers, as shown and described.

**DESCRIPTION**

FIG. 1 is a top, front and right side perspective view of an apparatus for extension of function of electronic computers showing my new design,

FIG. 2 is a front elevational view thereof,

FIG. 3 is a top plan view thereof,

FIG. 4 is a bottom plan view thereof,

FIG. 5 is a rear elevational view thereof,

FIG. 6 is a right side elevational view thereof; and,

FIG. 7 is a left side elevational view thereof.

**1 Claim, 3 Drawing Sheets**

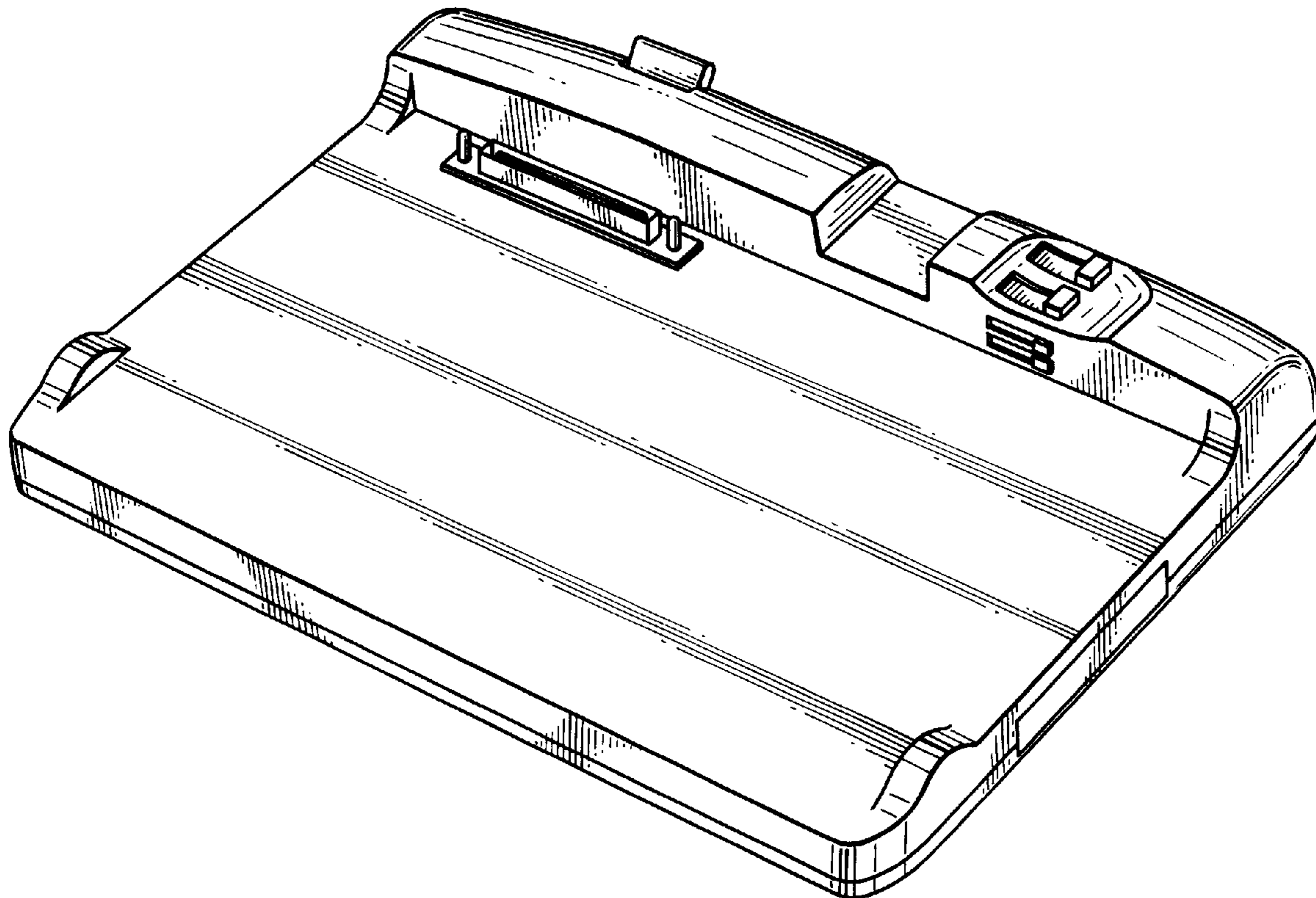


FIG. 1

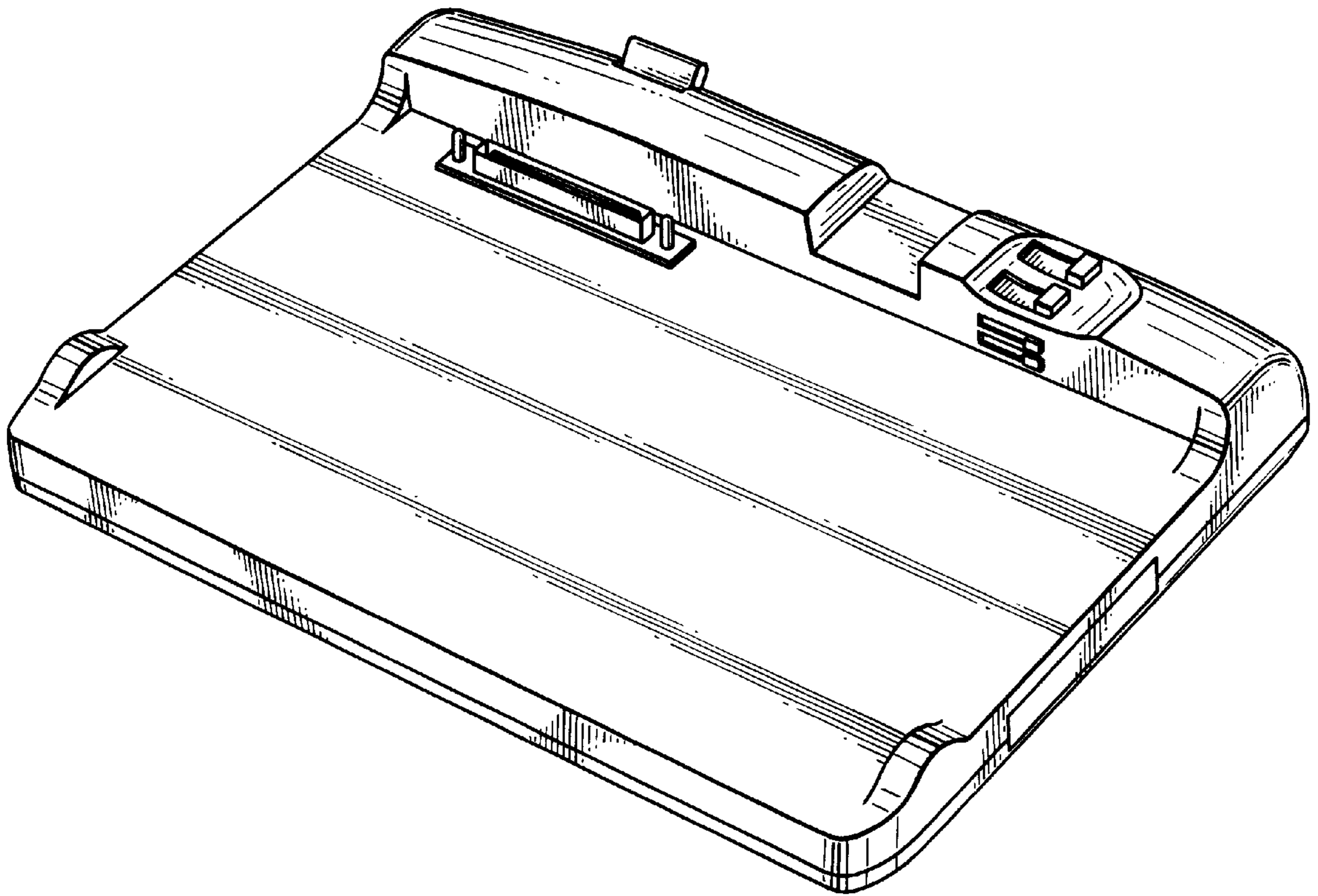


FIG. 2

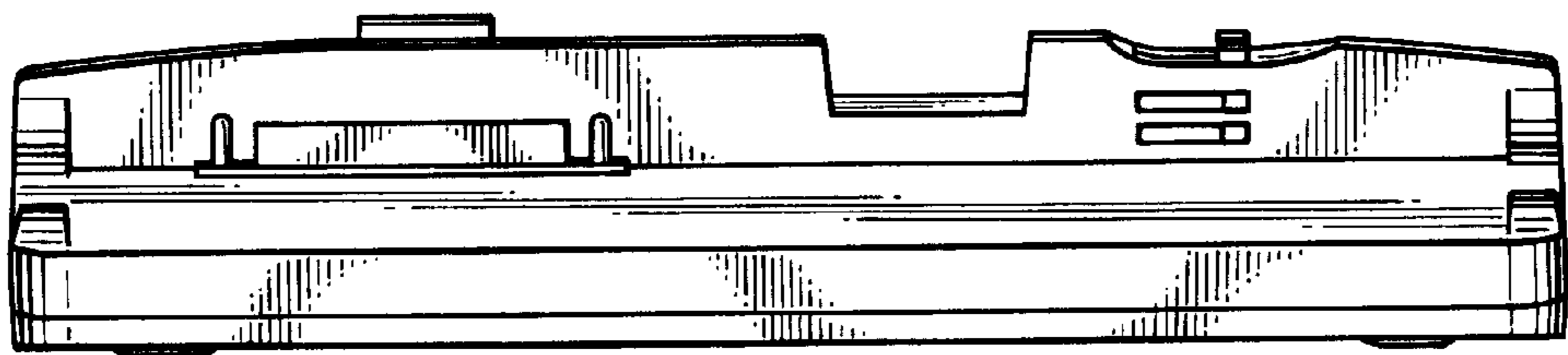


FIG. 3

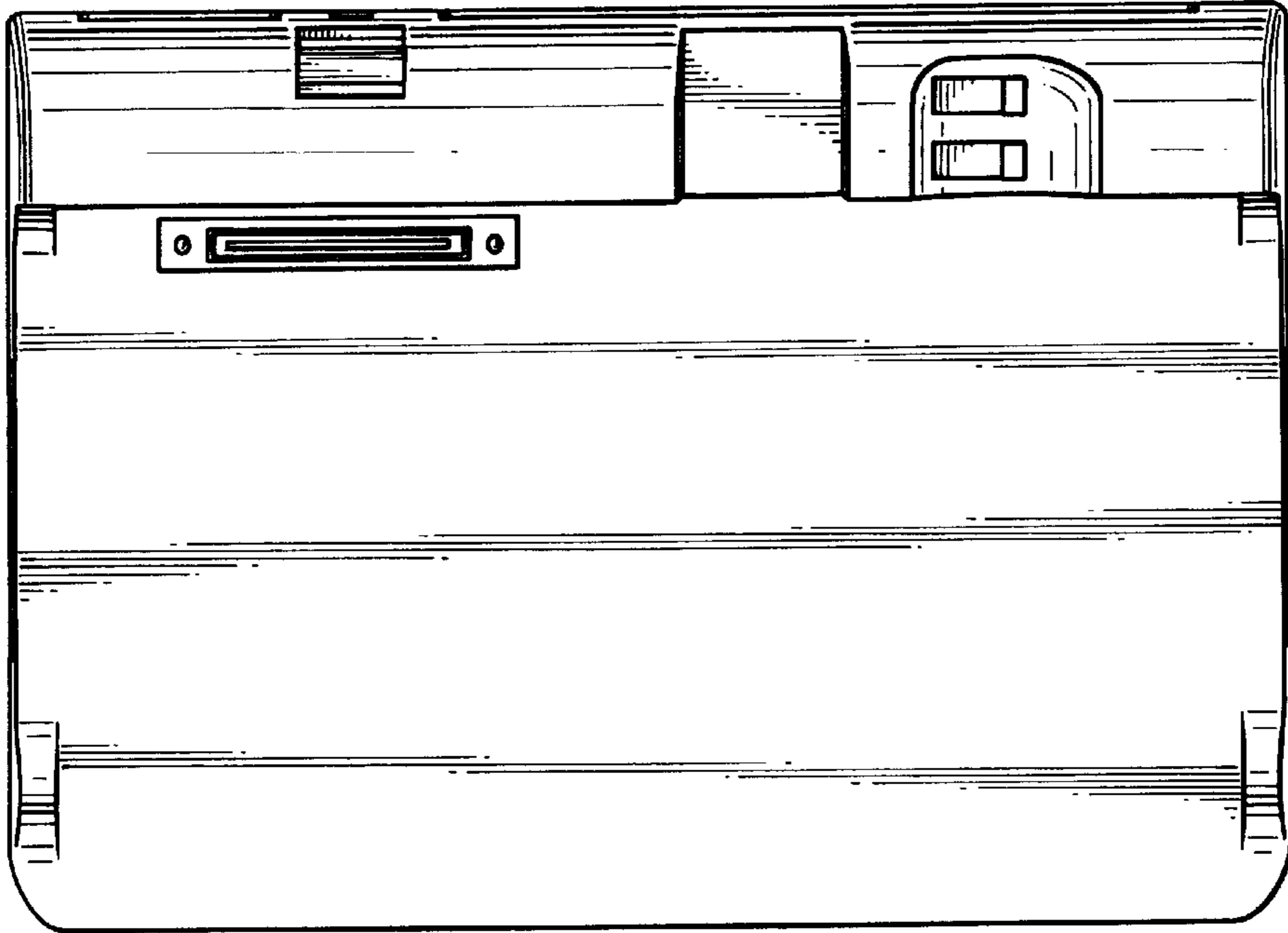


FIG. 4

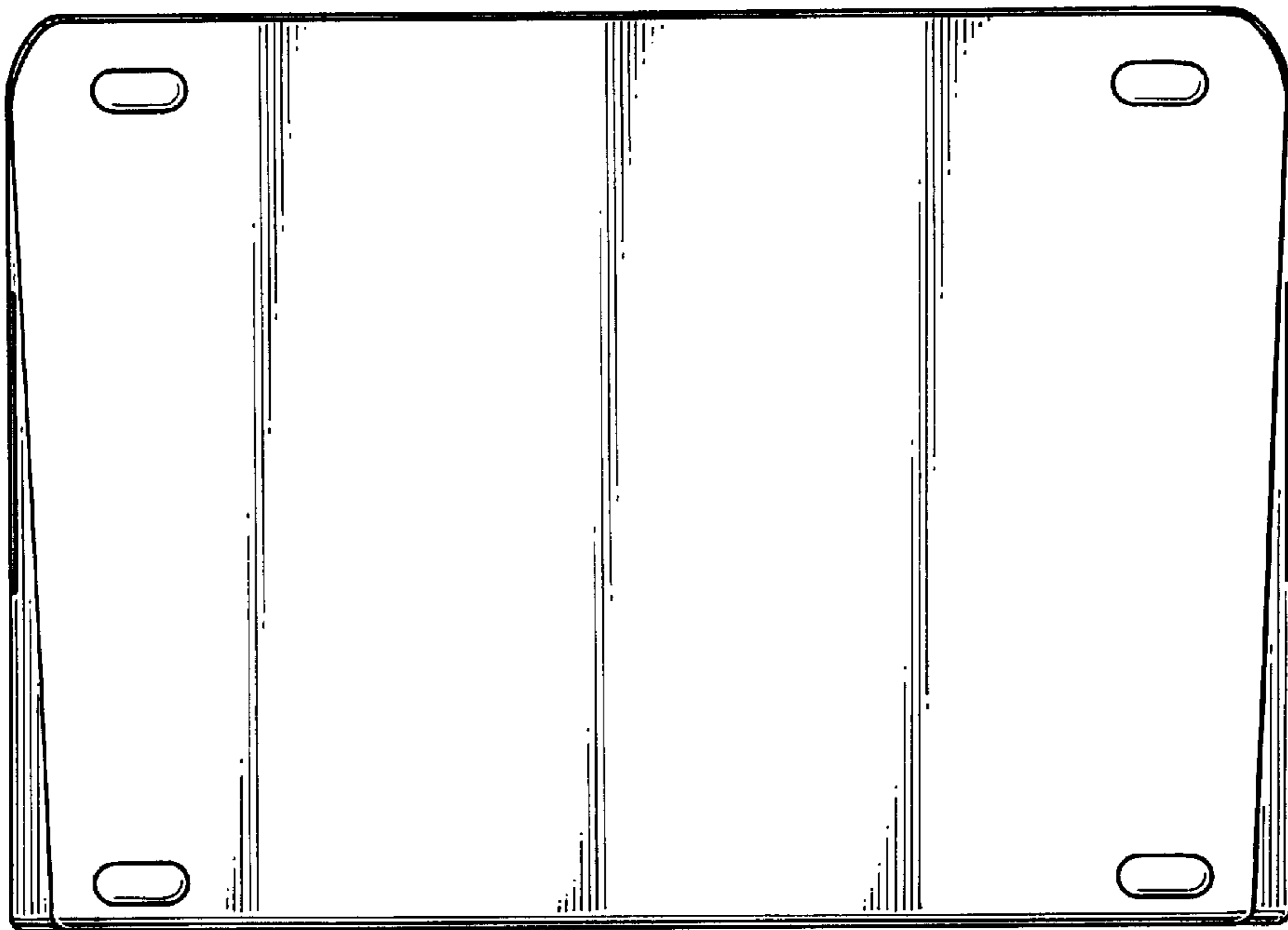


FIG. 5

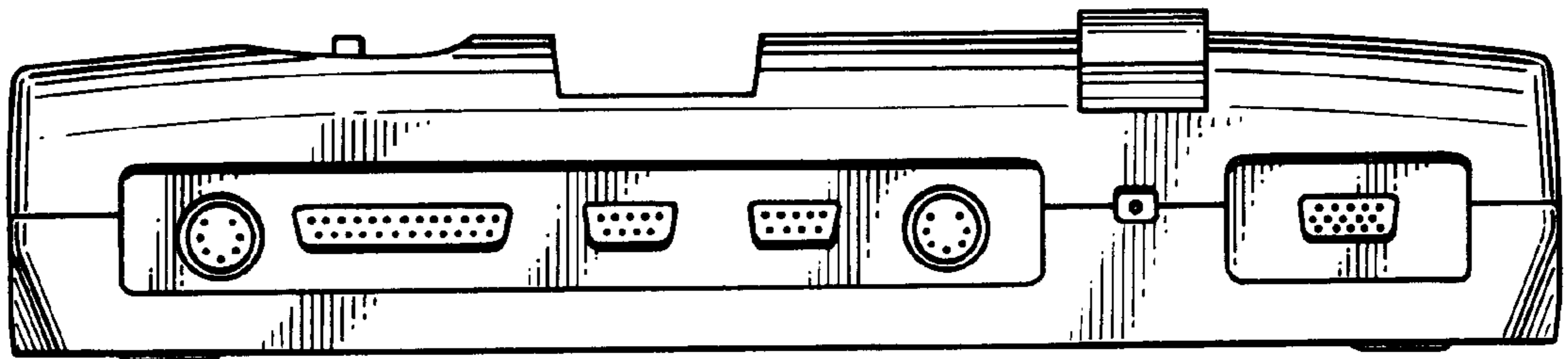


FIG. 6

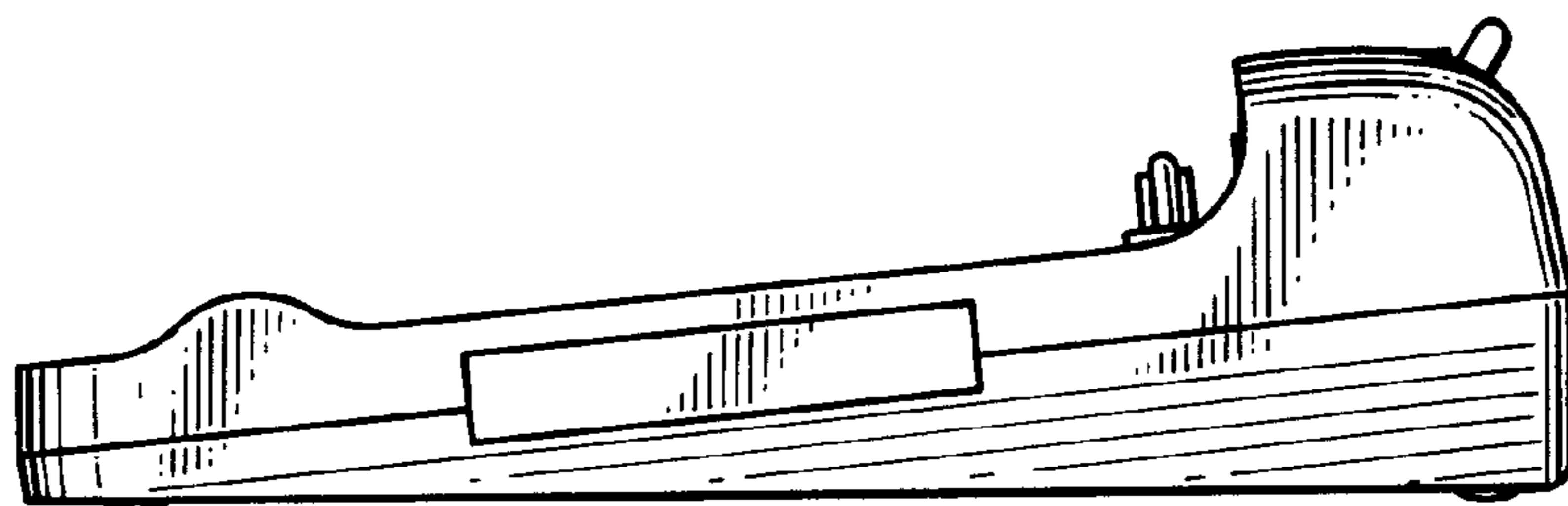


FIG. 7

