



US00D413103S

United States Patent [19] Wu

[11] Patent Number: **Des. 413,103**

[45] Date of Patent: **** Aug. 24, 1999**

[54] **ELECTRICAL CONNECTOR**

[75] Inventor: **Kun-Tsan Wu**, Tu-Chen, Taiwan

[73] Assignee: **Hon Hai Precision Ind. Co., Ltd.**,
Taipei, Taiwan

[**] Term: **14 Years**

[21] Appl. No.: **29/093,559**

[22] Filed: **Sep. 14, 1998**

[30] **Foreign Application Priority Data**

Mar. 13, 1998 [TW] Taiwan 87301736

[51] **LOC (6) Cl.** **13-03**

[52] **U.S. Cl.** **D13/147**

[58] **Field of Search** D13/133, 146,
D13/147; 439/78, 540.1, 541.5, 607, 638,
620, 344, 676

[56] **References Cited**

U.S. PATENT DOCUMENTS

D. 389,123 1/1998 Vernon D13/147

D. 389,802	1/1998	Vernon	D13/147
D. 391,551	3/1998	Ono	D13/147
4,786,259	11/1988	Paul	439/344
5,035,641	7/1991	Van-Santbrink et al.	439/67 X
5,118,312	6/1992	Lu	439/676
5,718,605	2/1998	Morikawa et al.	439/607

Primary Examiner—Joel Sincavage

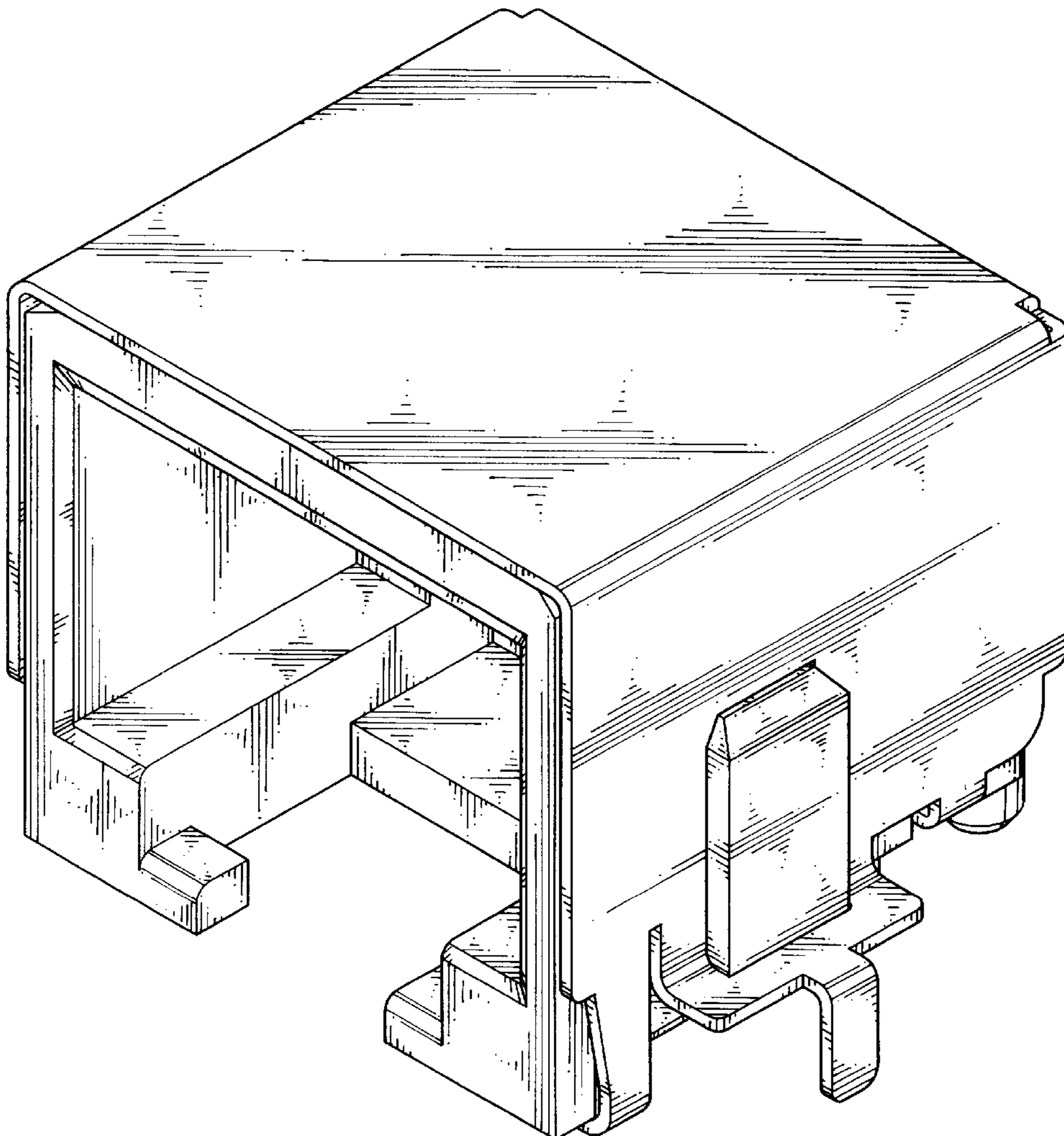
[57] **CLAIM**

The ornamental design for an electrical connector, as shown.

DESCRIPTION

FIG. 1 is a front-right-top perspective view of an electrical connector showing my new design; FIG. 2 is a front elevational view thereof; FIG. 3 is a rear elevational view thereof; FIG. 4 is a left side elevational view thereof; FIG. 5 is a right side elevational view thereof; FIG. 6 is a top plan view thereof; and, FIG. 7 is a bottom plan view thereof.

1 Claim, 7 Drawing Sheets



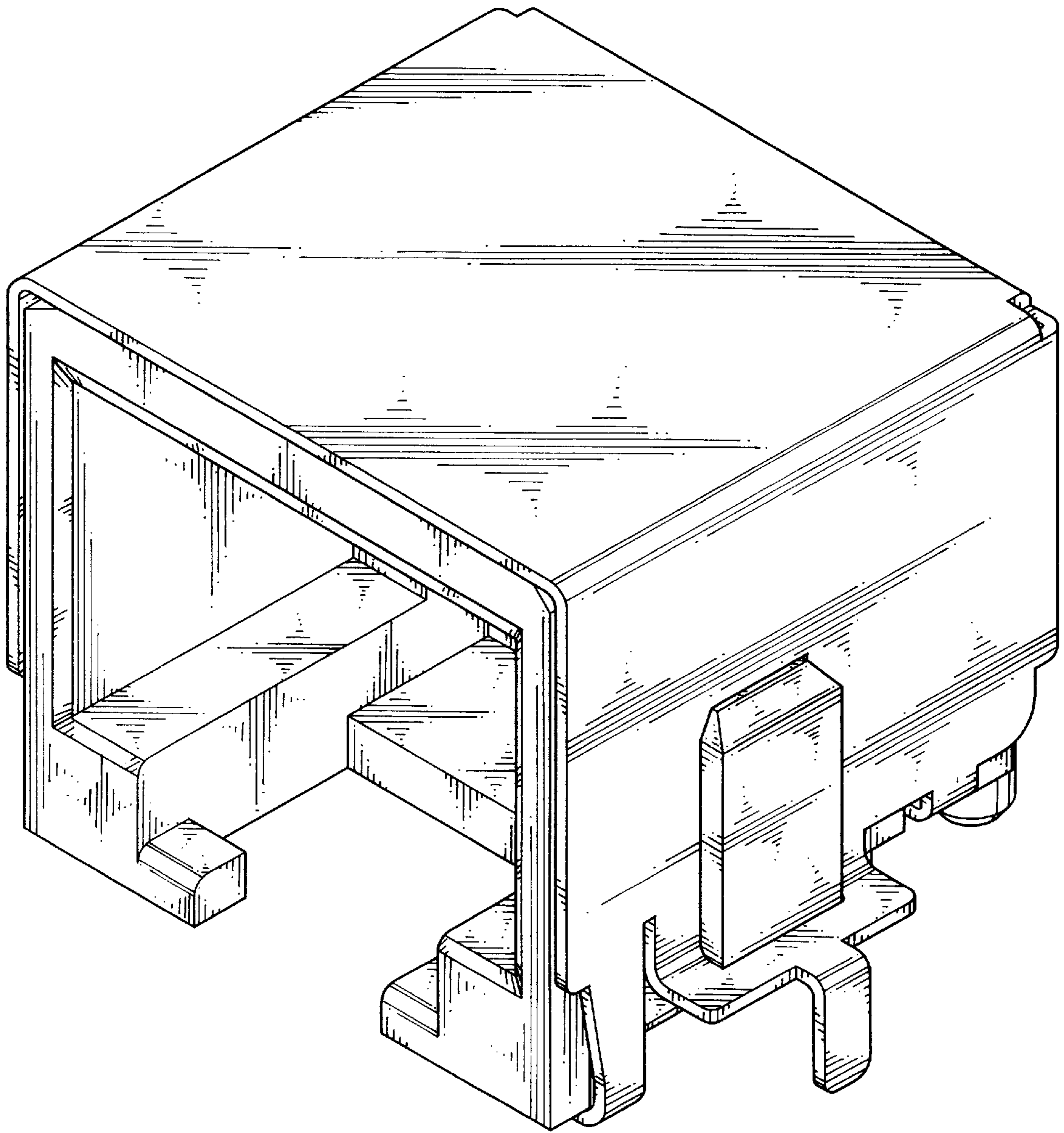


FIG. 1

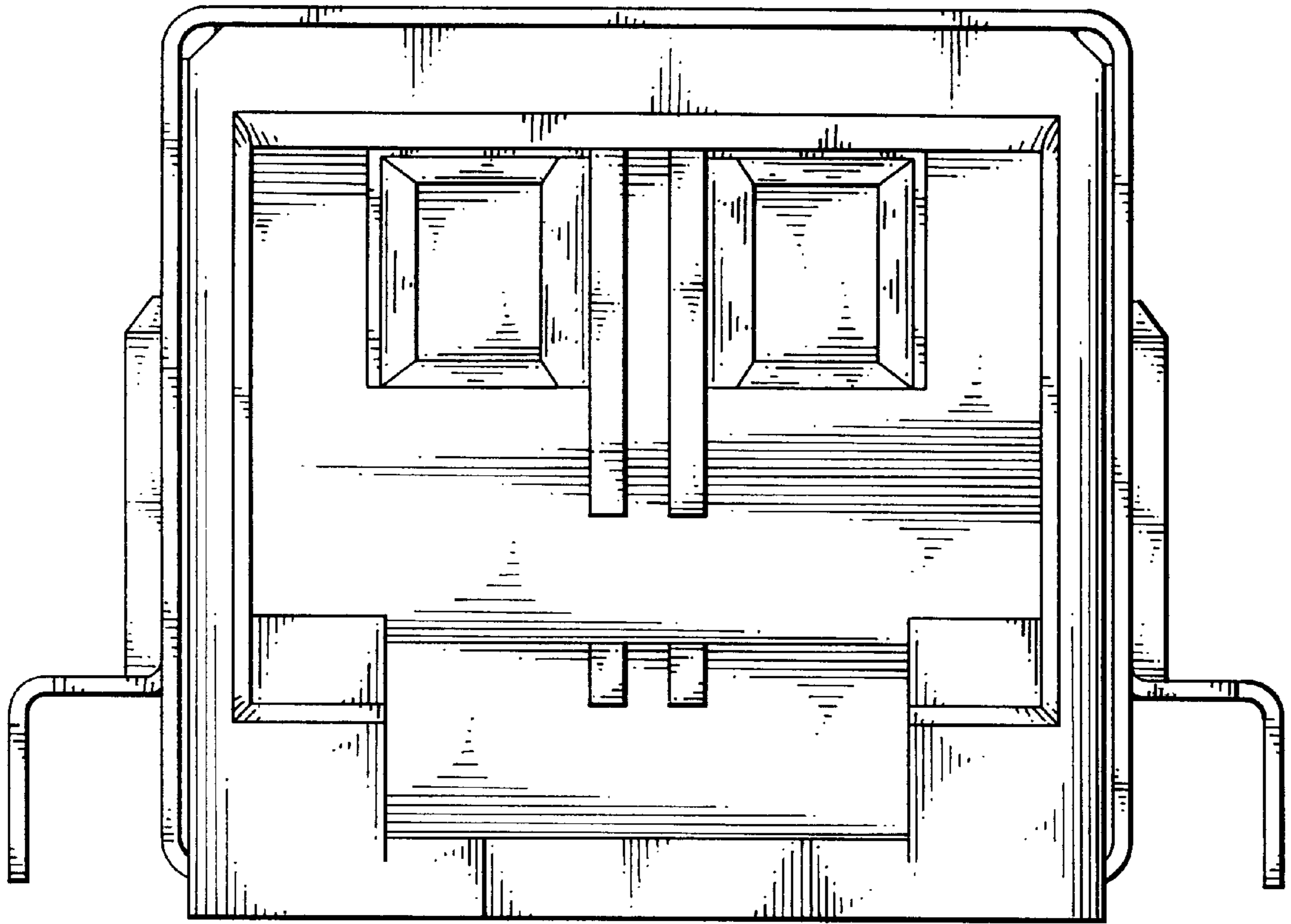


FIG. 2

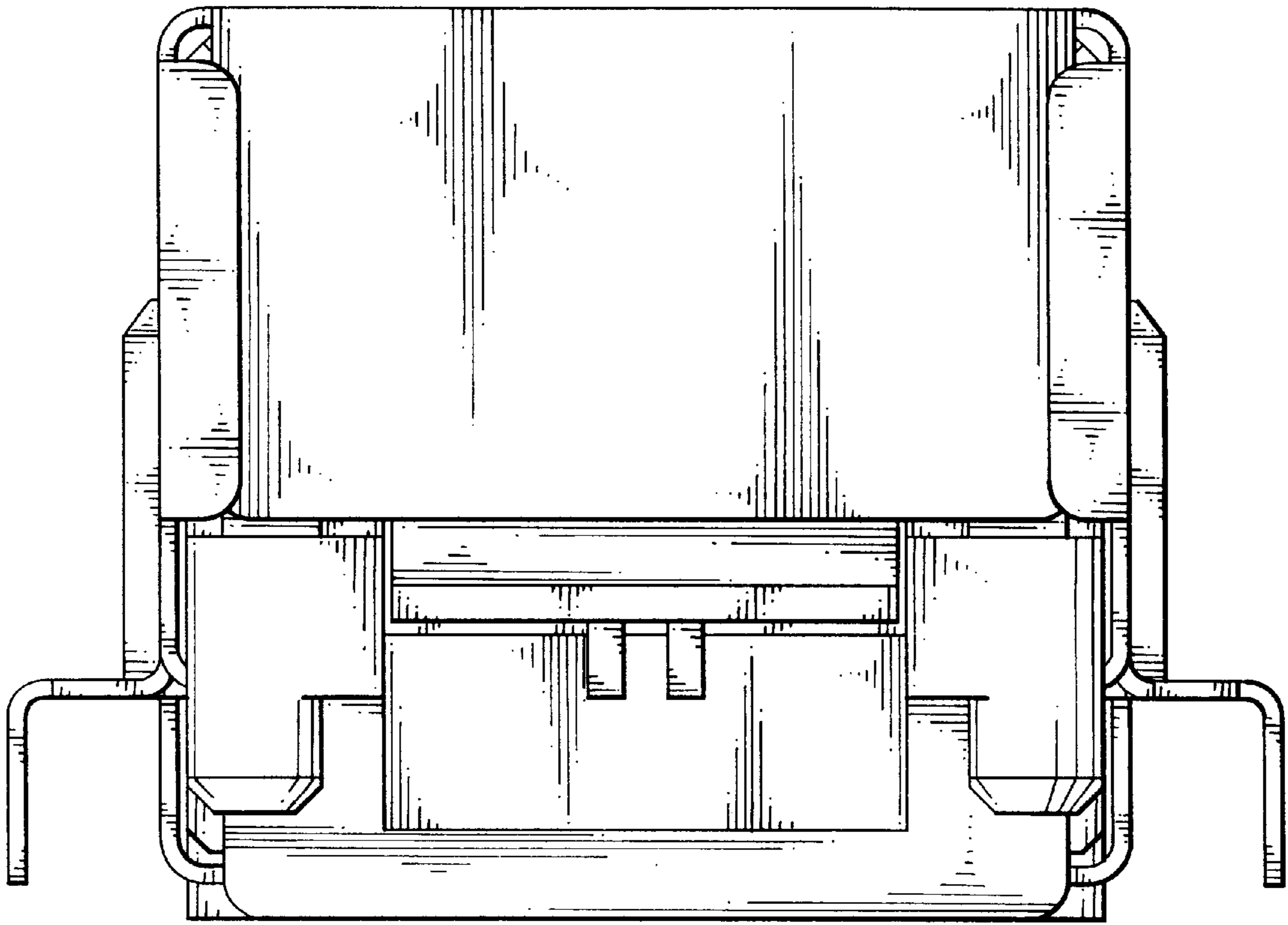


FIG. 3

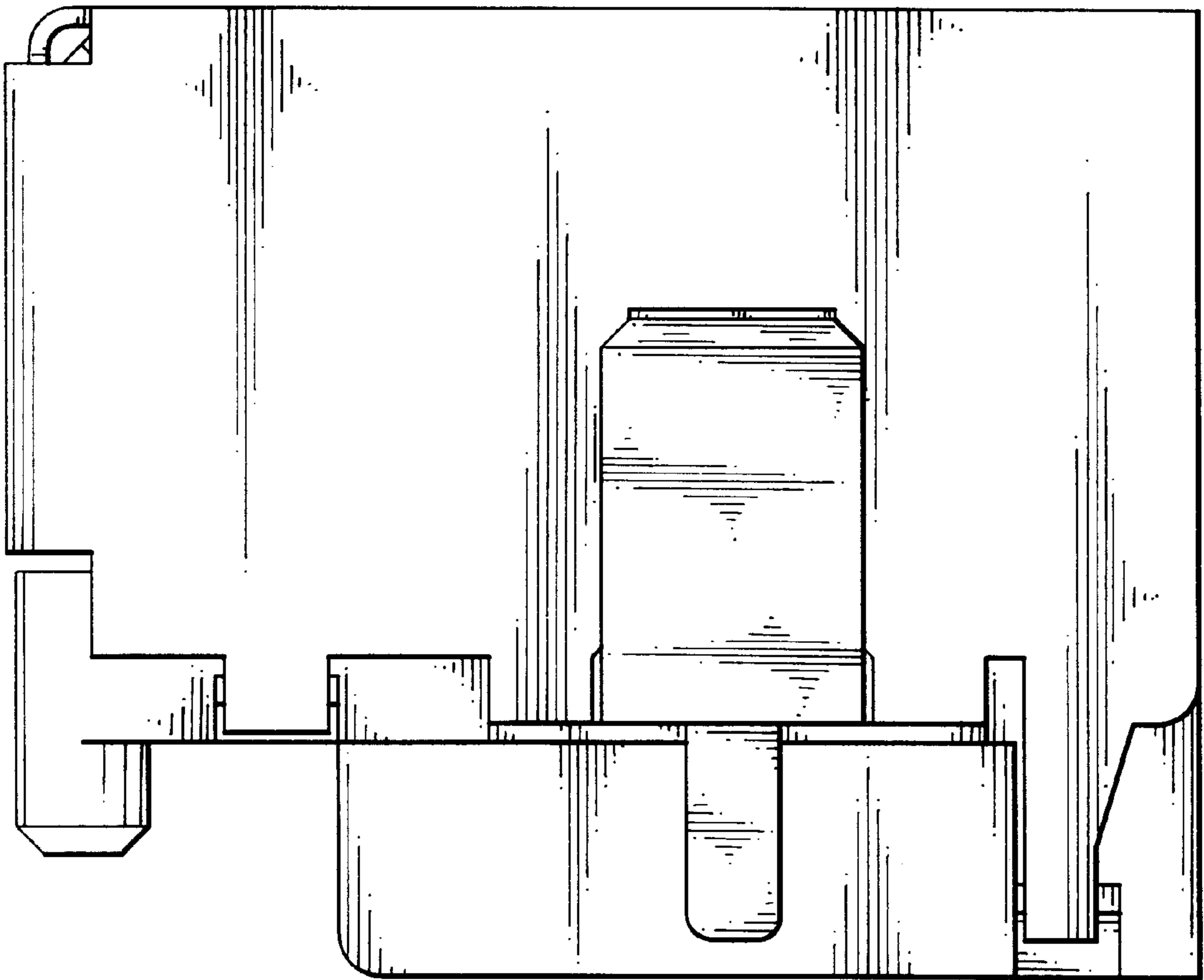


FIG. 4

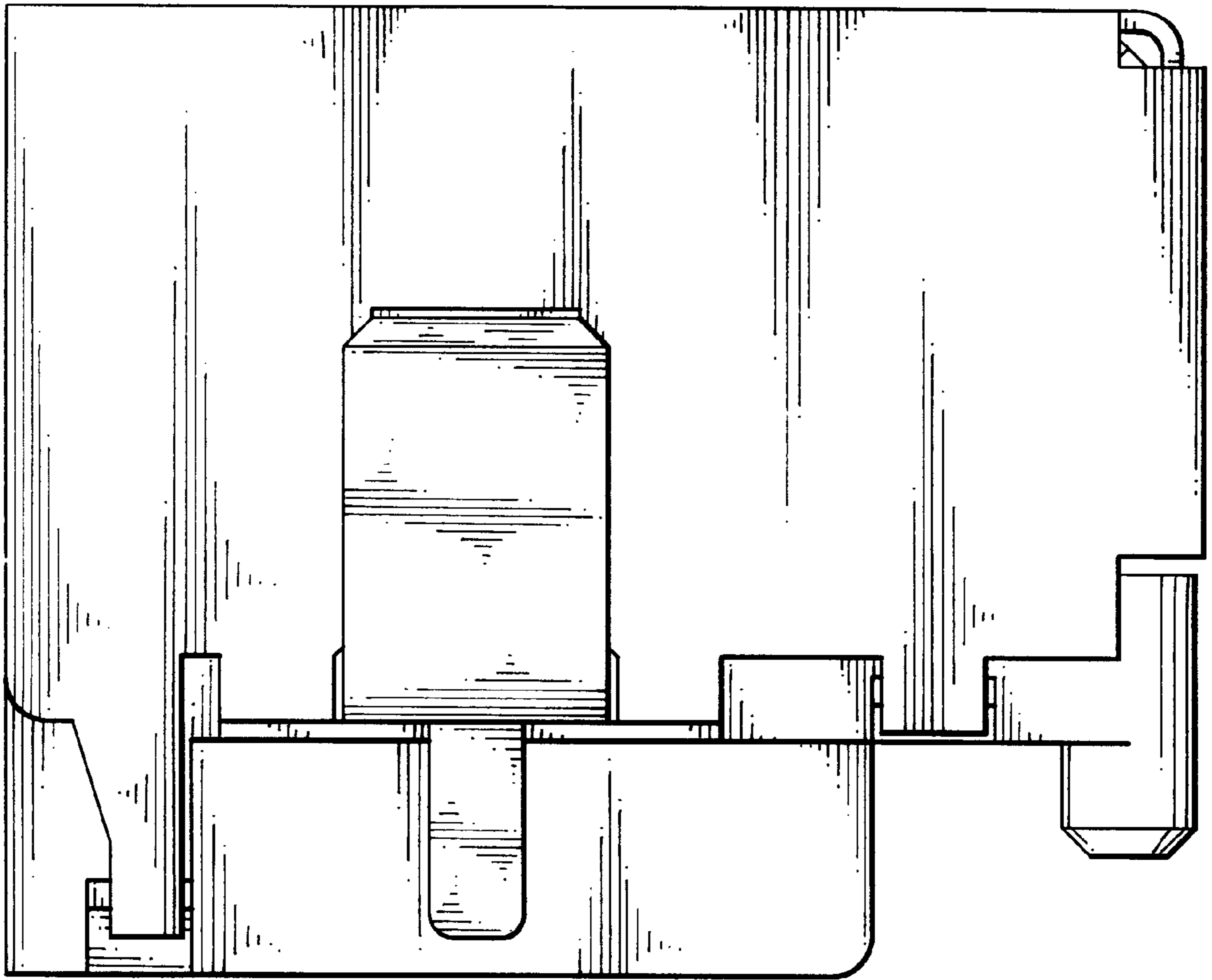


FIG. 5

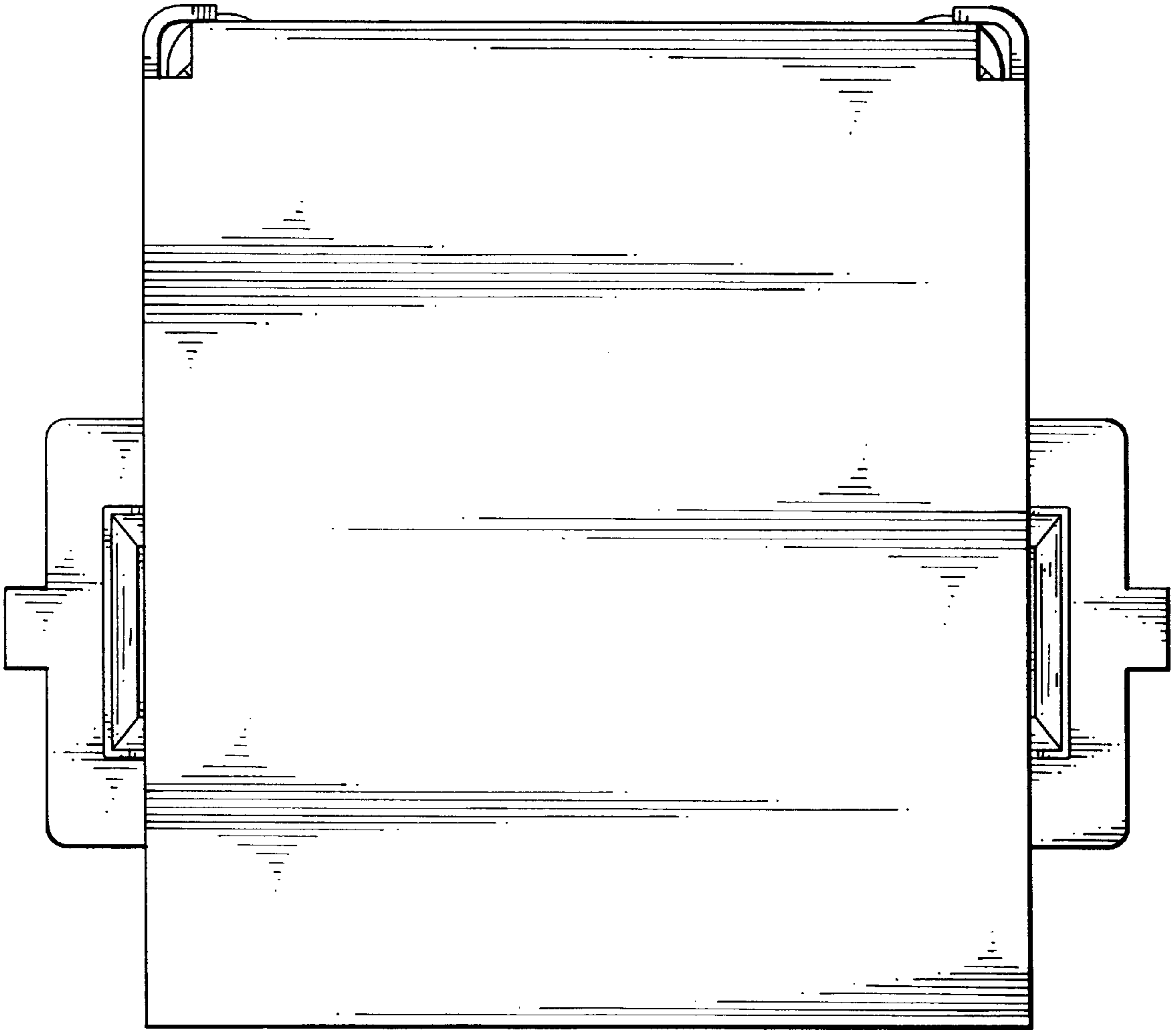


FIG. 6

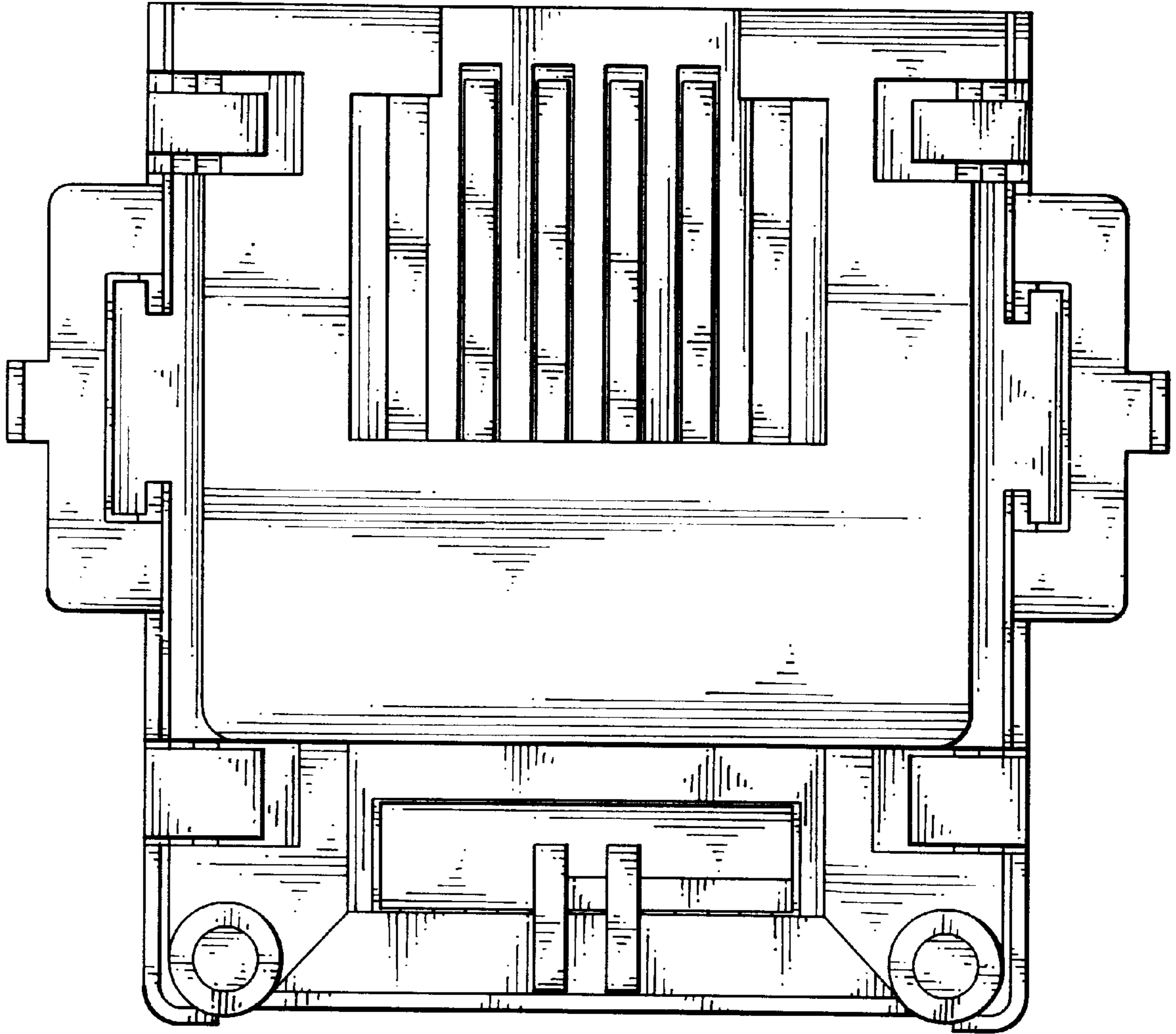


FIG. 7