



US00D413102S

# United States Patent [19] Tsukamoto et al.

[11] **Patent Number: Des. 413,102**

[45] **Date of Patent: \*\* Aug. 24, 1999**

[54] **CONNECTOR HOUSING**

[75] Inventors: **Hironori Tsukamoto**, Shizuoka;  
**Fumiyoshi Tanigawa**, Mie, both of  
Japan

[73] Assignees: **Koito Manufacturing Co., Ltd.**,  
Sizuoka; **Sumitomo Wiring Systems,  
Ltd.**, Yokkaichi, both of Japan

[\*\*] Term: **14 Years**

[21] Appl. No.: **29/093,368**

[22] Filed: **Sep. 9, 1998**

[30] **Foreign Application Priority Data**

Apr. 10, 1998 [JP] Japan ..... 10-10324

[51] **LOC (6) Cl. .... 13-03**

[52] **U.S. Cl. .... D13/147**

[58] **Field of Search** ..... D13/146, 147,  
D13/134; 439/602, 699.2

[56] **References Cited**

**U.S. PATENT DOCUMENTS**

D. 294,142 2/1988 Kuwano et al. .... D13/146  
D. 309,289 7/1990 Endo et al. .... D13/147

D. 317,751 6/1991 Kozono ..... D13/147  
D. 402,961 12/1998 Harada ..... D13/134  
5,634,823 6/1997 Furuta et al. .... 439/699.2

**FOREIGN PATENT DOCUMENTS**

780896 2/1990 Japan .

*Primary Examiner*—Joel Sincavage  
*Attorney, Agent, or Firm*—Sughrue, Mion, Zinn, Macpeak  
& Seas, PLLC

[57] **CLAIM**

The ornamental design for a connector housing, as shown  
and described.

**DESCRIPTION**

FIG. 1 is a perspective view of the front, top and left side of  
a connector housing showing our new design;

FIG. 2 is a perspective view of the rear, bottom and right side  
thereof;

FIG. 3 is a top plan view thereof;

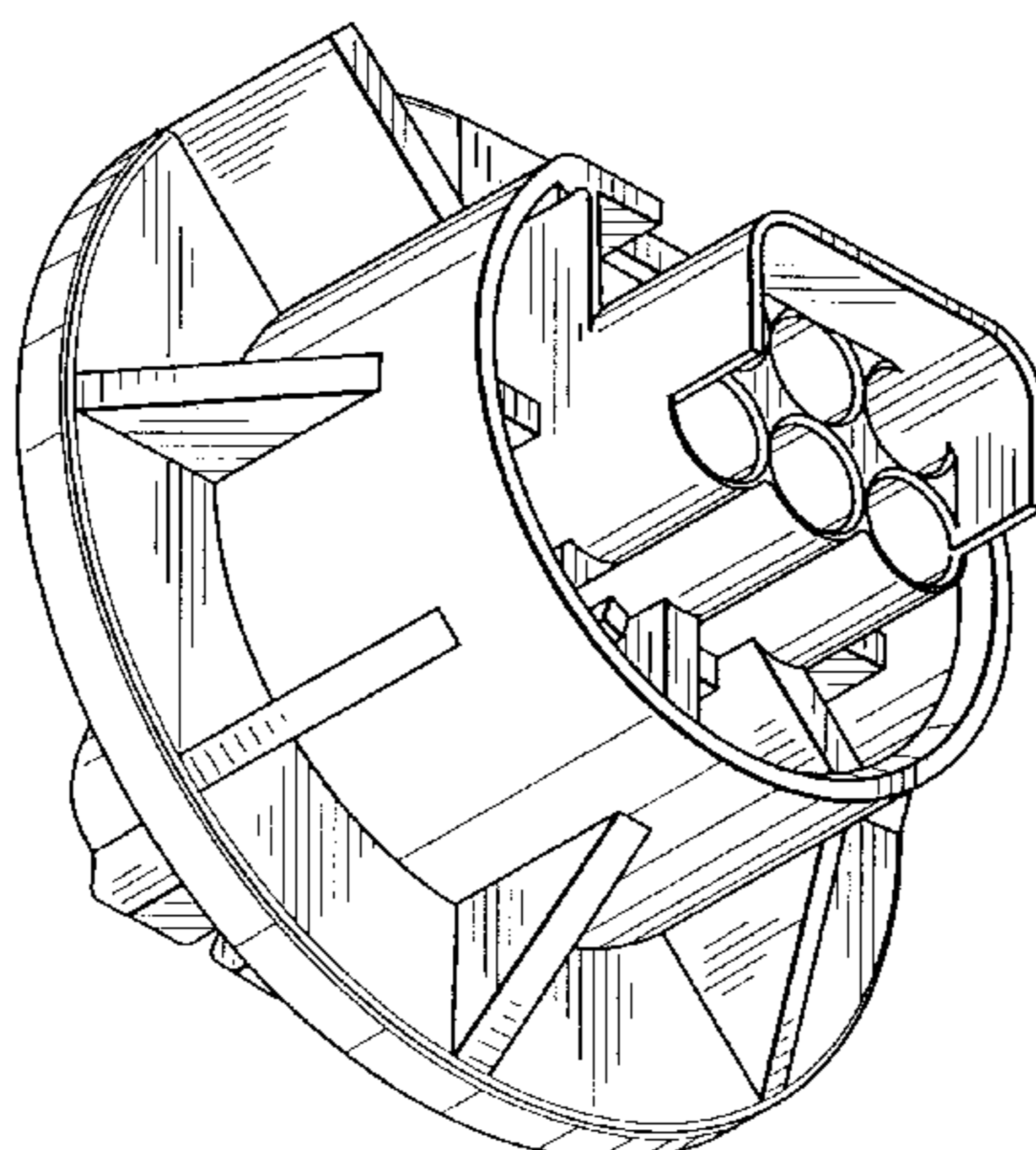
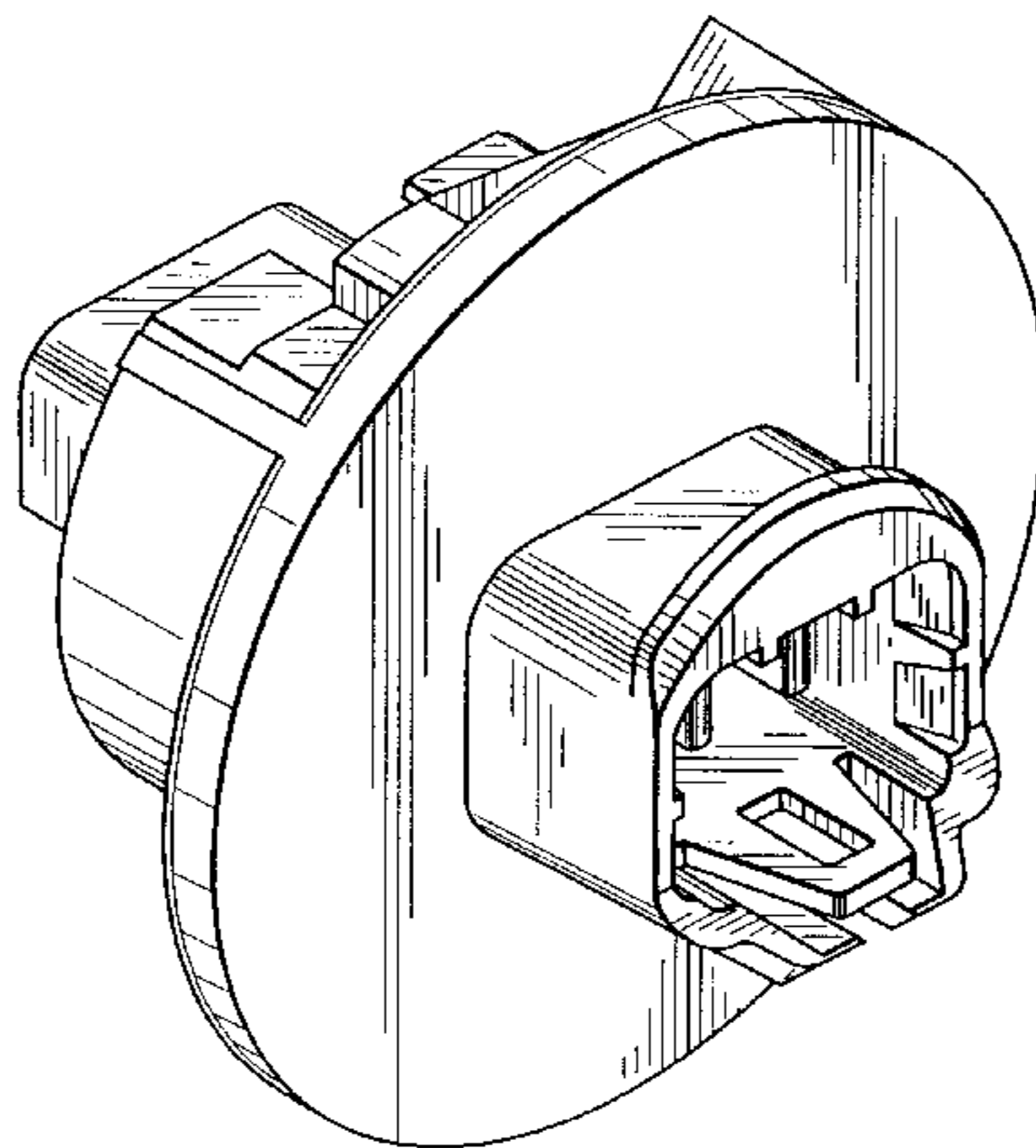
FIG. 4 is a front elevational view thereof;

FIG. 5 is a right side elevational view thereof, the left side  
being a mirror image thereof;

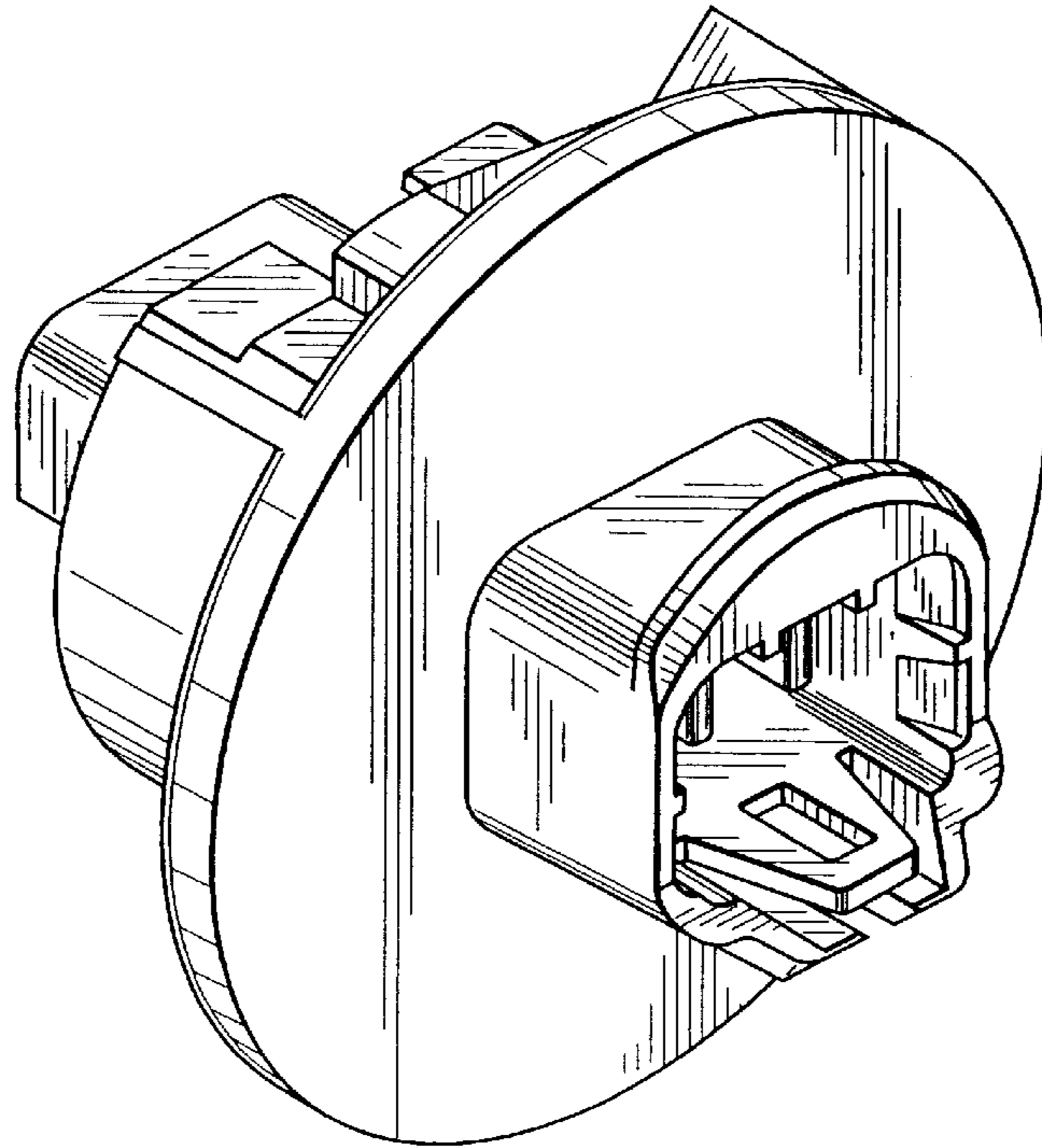
FIG. 6 is a rear elevational view thereof; and,

FIG. 7 is a bottom plan view thereof.

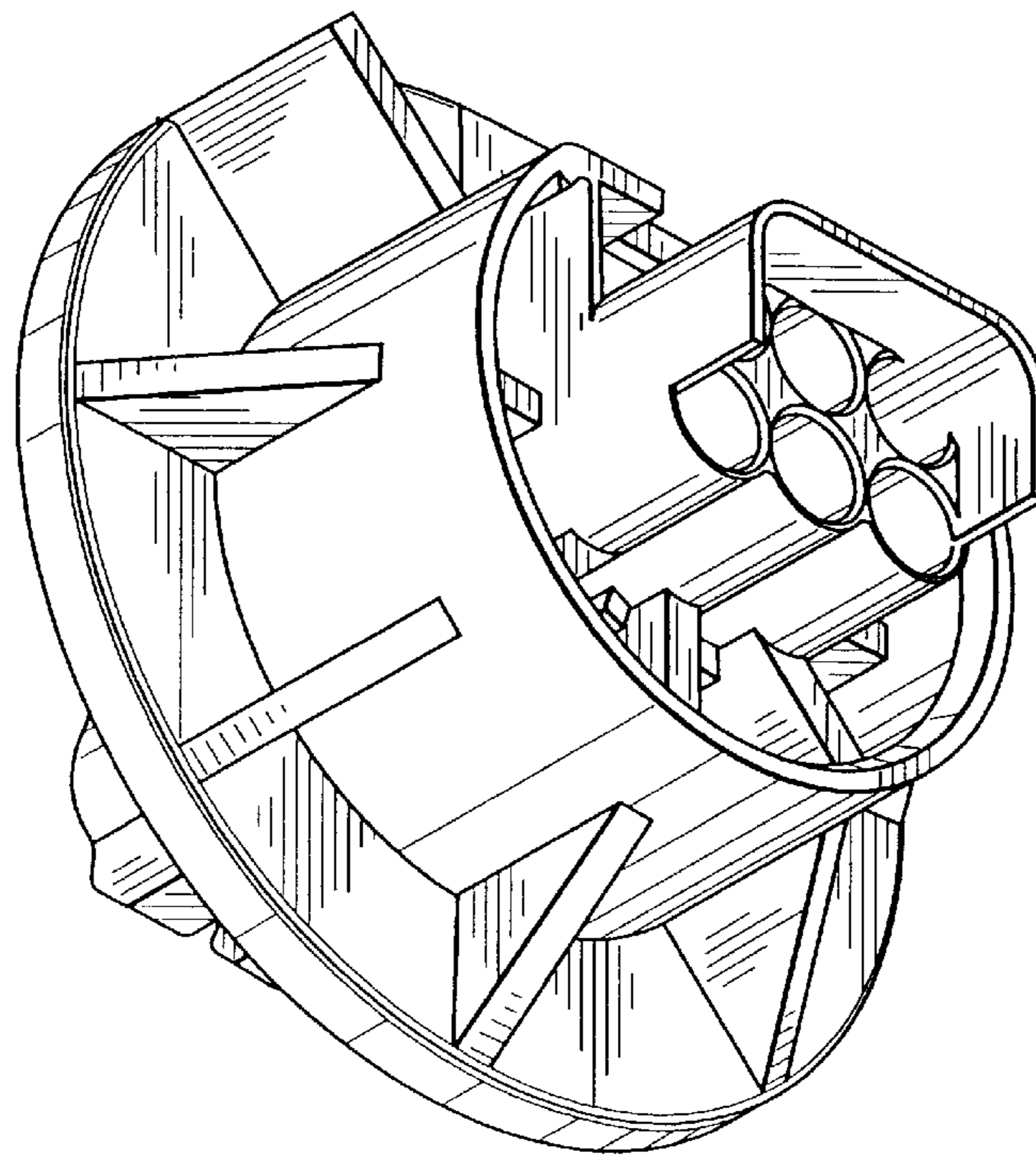
**1 Claim, 4 Drawing Sheets**



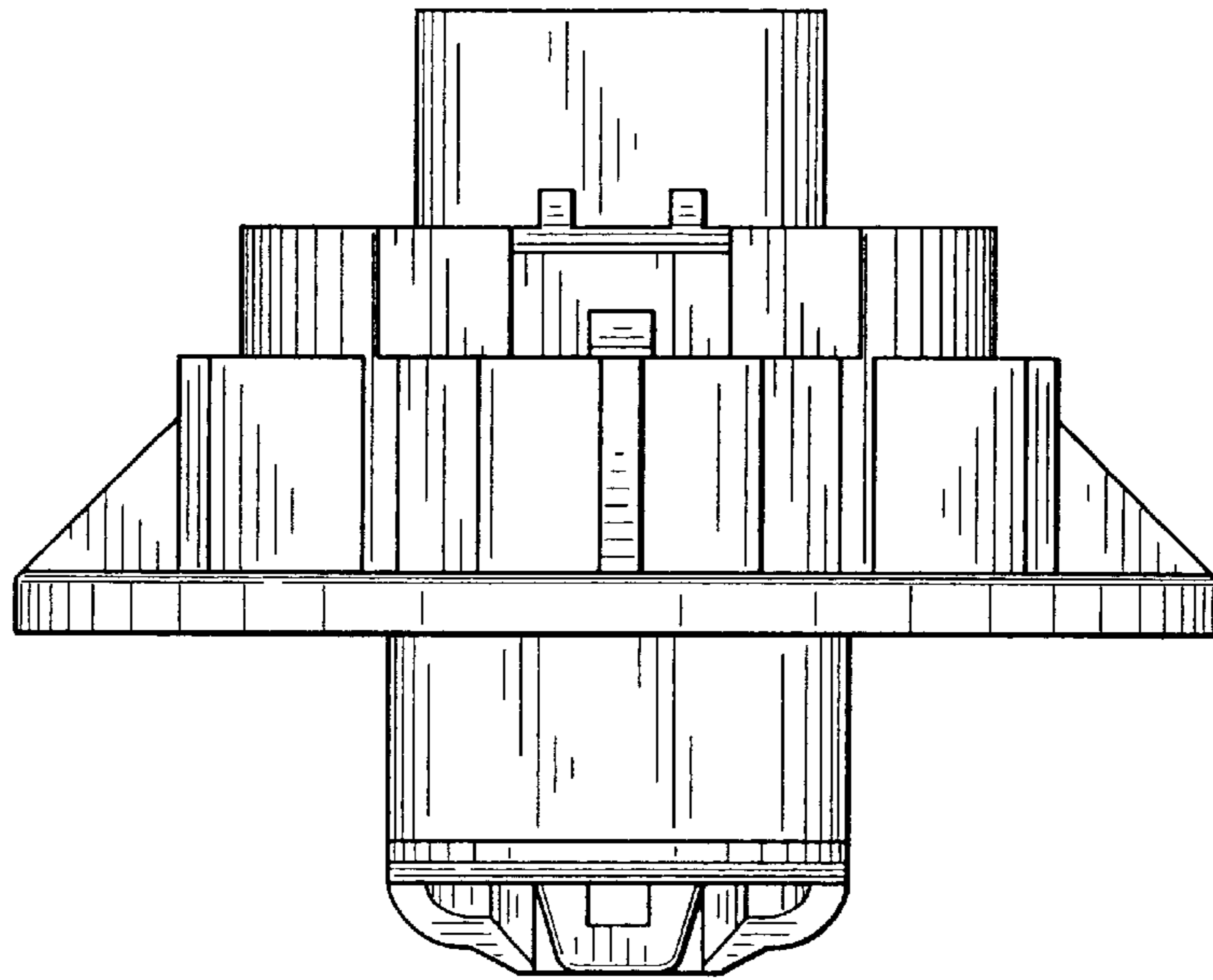
*FIG. 1*



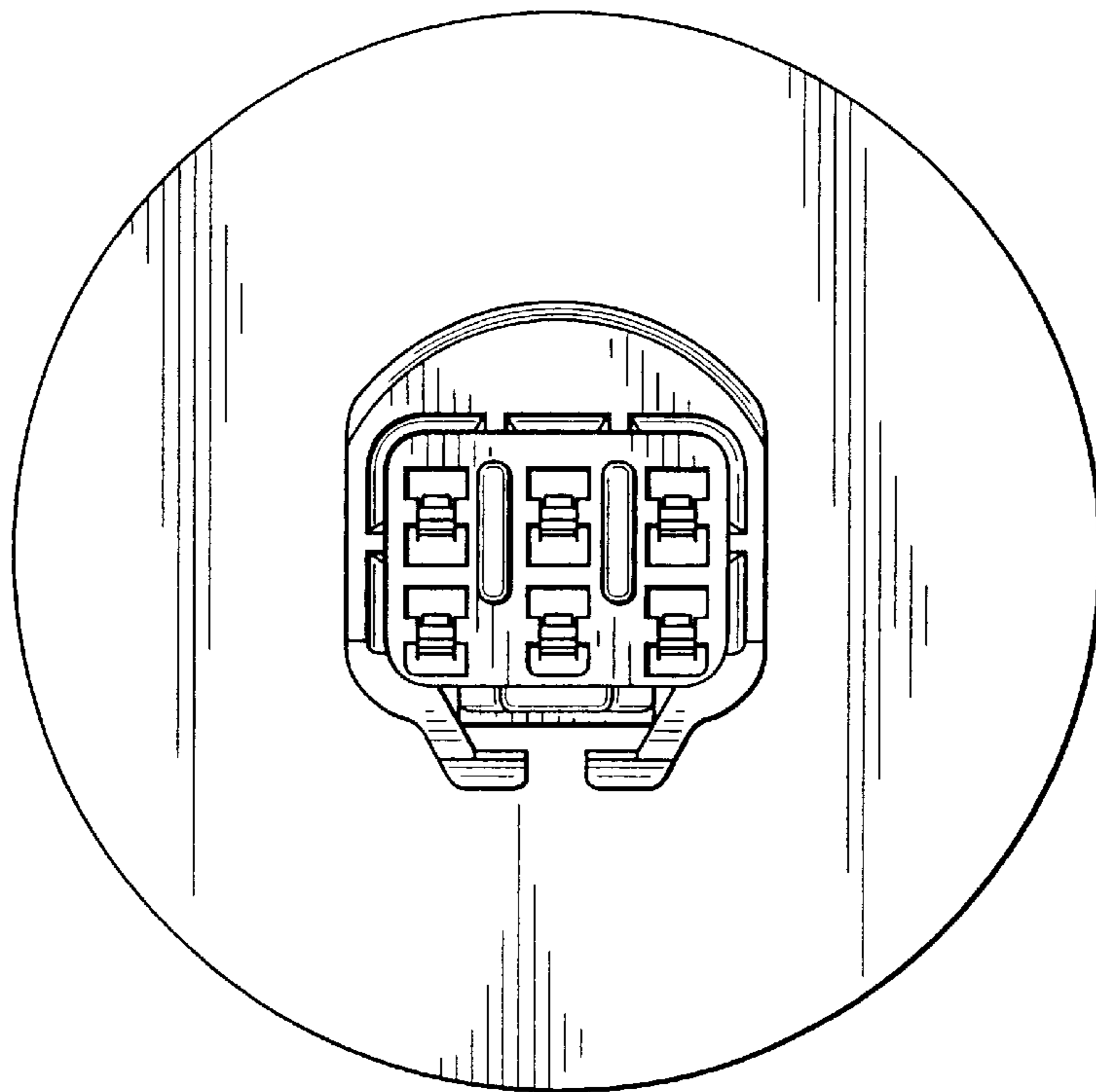
*FIG. 2*



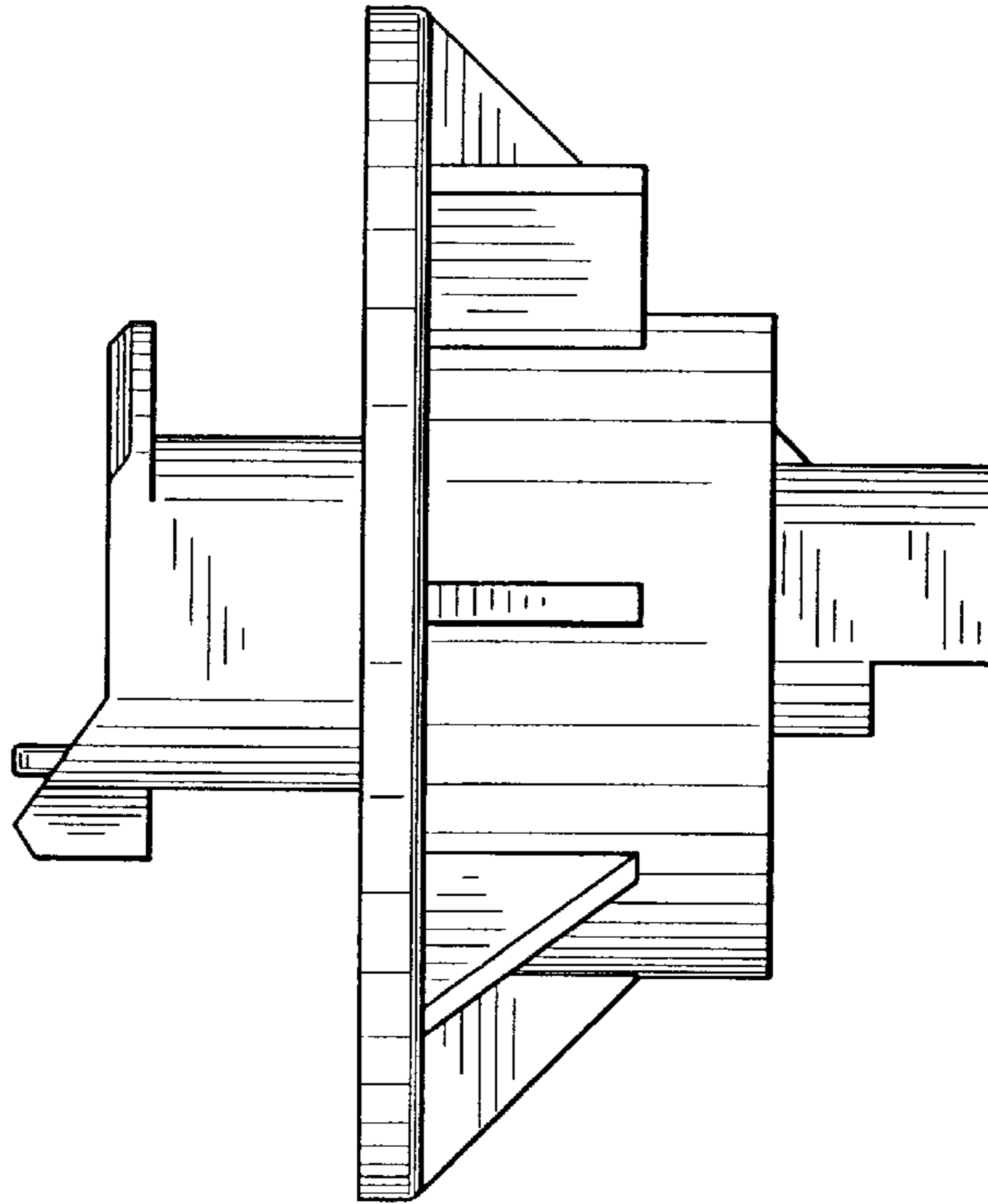
*FIG. 3*



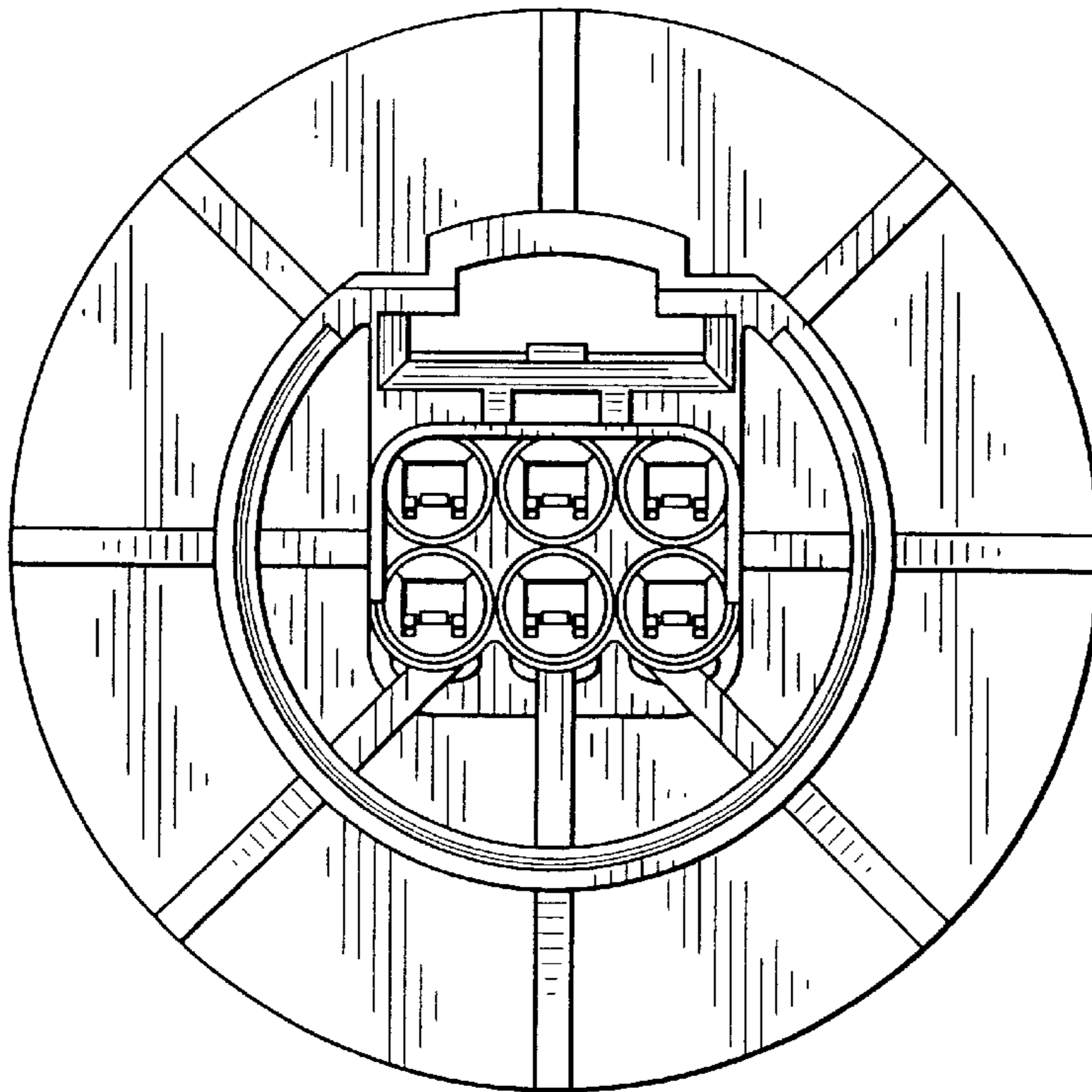
*FIG. 4*



*FIG. 5*



*FIG. 6*



*FIG. 7*

