



US00D413098S

United States Patent [19]
Dayan

[11] **Patent Number: Des. 413,098**

[45] **Date of Patent: ** Aug. 24, 1999**

[54] **PORTABLE POWER STATION**

[75] Inventor: **Mervin A. Dayan**, Eatontown, N.J.

[73] Assignee: **Roadmaster (USA) Corp.**, Eatontown, N.J.

[**] Term: **14 Years**

[21] Appl. No.: **29/091,383**

[22] Filed: **Jul. 29, 1998**

[51] **LOC (6) Cl.** **13-02**

[52] **U.S. Cl.** **D13/110; D13/106**

[58] **Field of Search** **D13/106, 110; 307/150, 66; 429/96**

[56] **References Cited**

U.S. PATENT DOCUMENTS

- D. 316,397 4/1991 Herbert D13/106
- D. 344,560 4/1993 Wilson D13/106

- D. 374,859 10/1996 Guay et al. D13/110
- D. 386,148 11/1997 Katooka et al. D13/110
- D. 393,445 4/1998 Bellofatto et al. D13/106

Primary Examiner—Joel Sincavage
Attorney, Agent, or Firm—Ezra Sutton

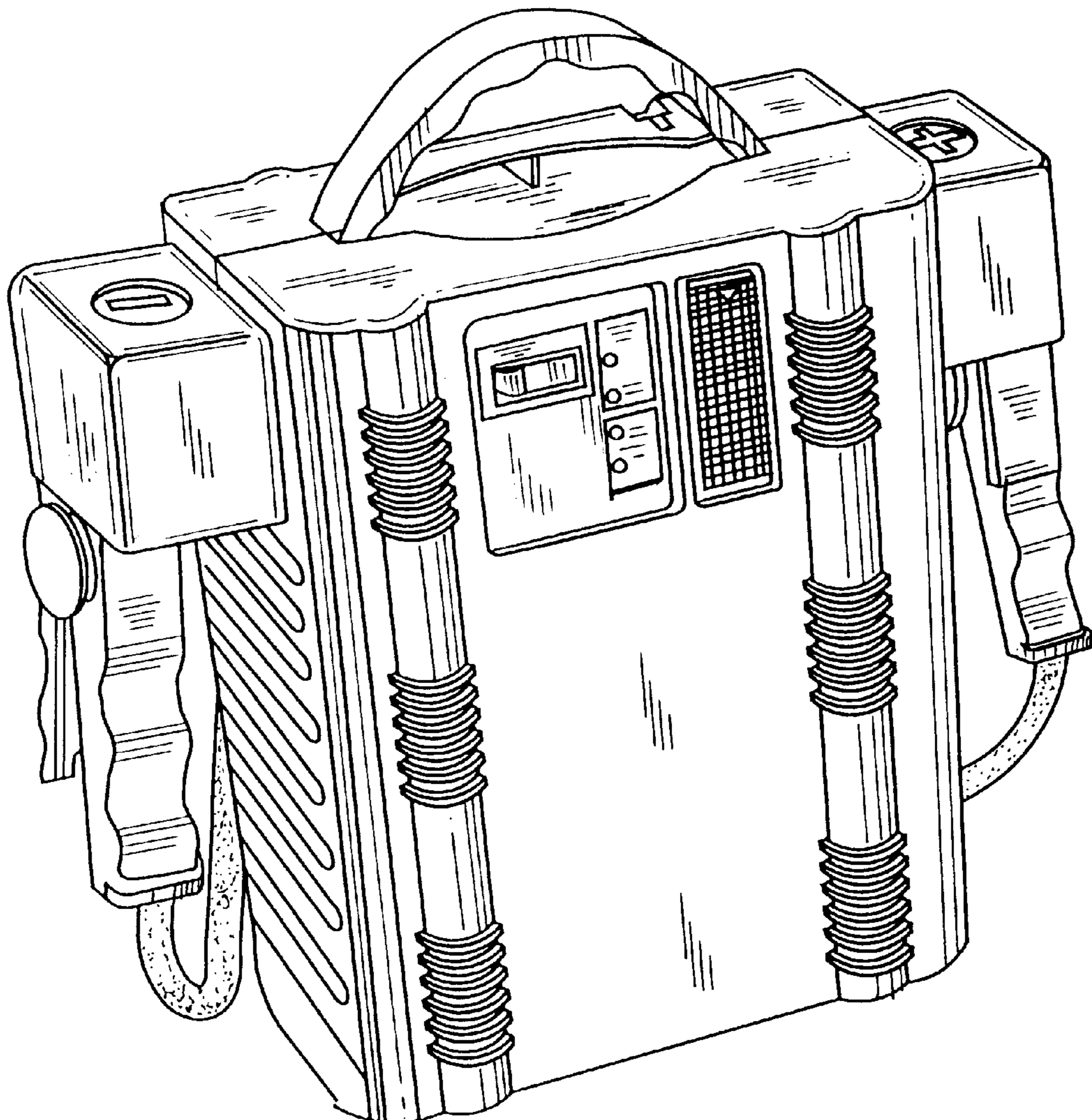
[57] **CLAIM**

The ornamental design for a portable power station, as shown and described.

DESCRIPTION

FIG. 1 is a perspective view of a portable power station embodying my new design;
FIG. 2 is a front view thereof;
FIG. 3 is a rear view thereof;
FIG. 4 is a side view thereof, the other side view being a mirror image thereof; and,
FIG. 5 is a top view thereof.

1 Claim, 5 Drawing Sheets



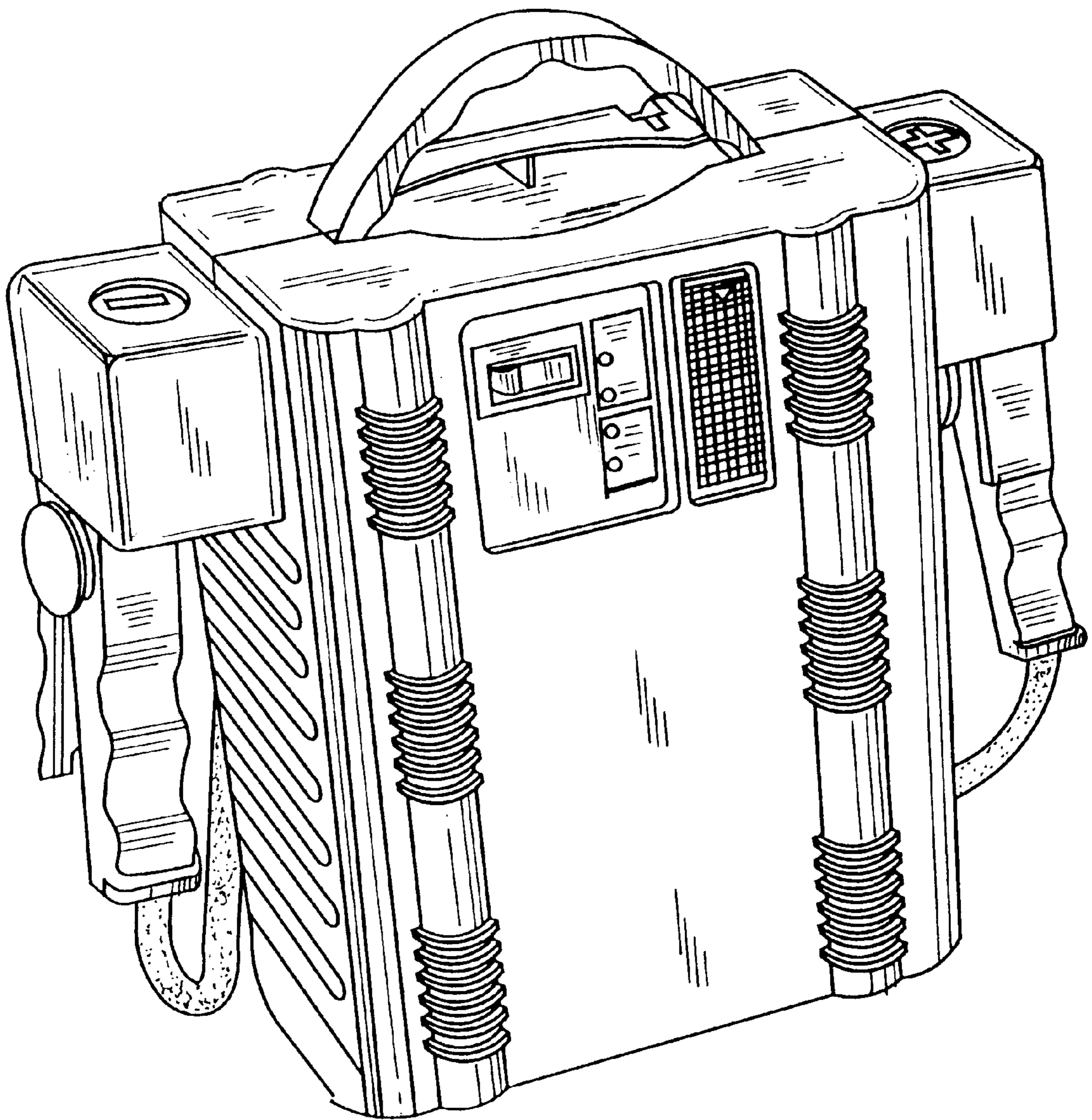


FIG. 1

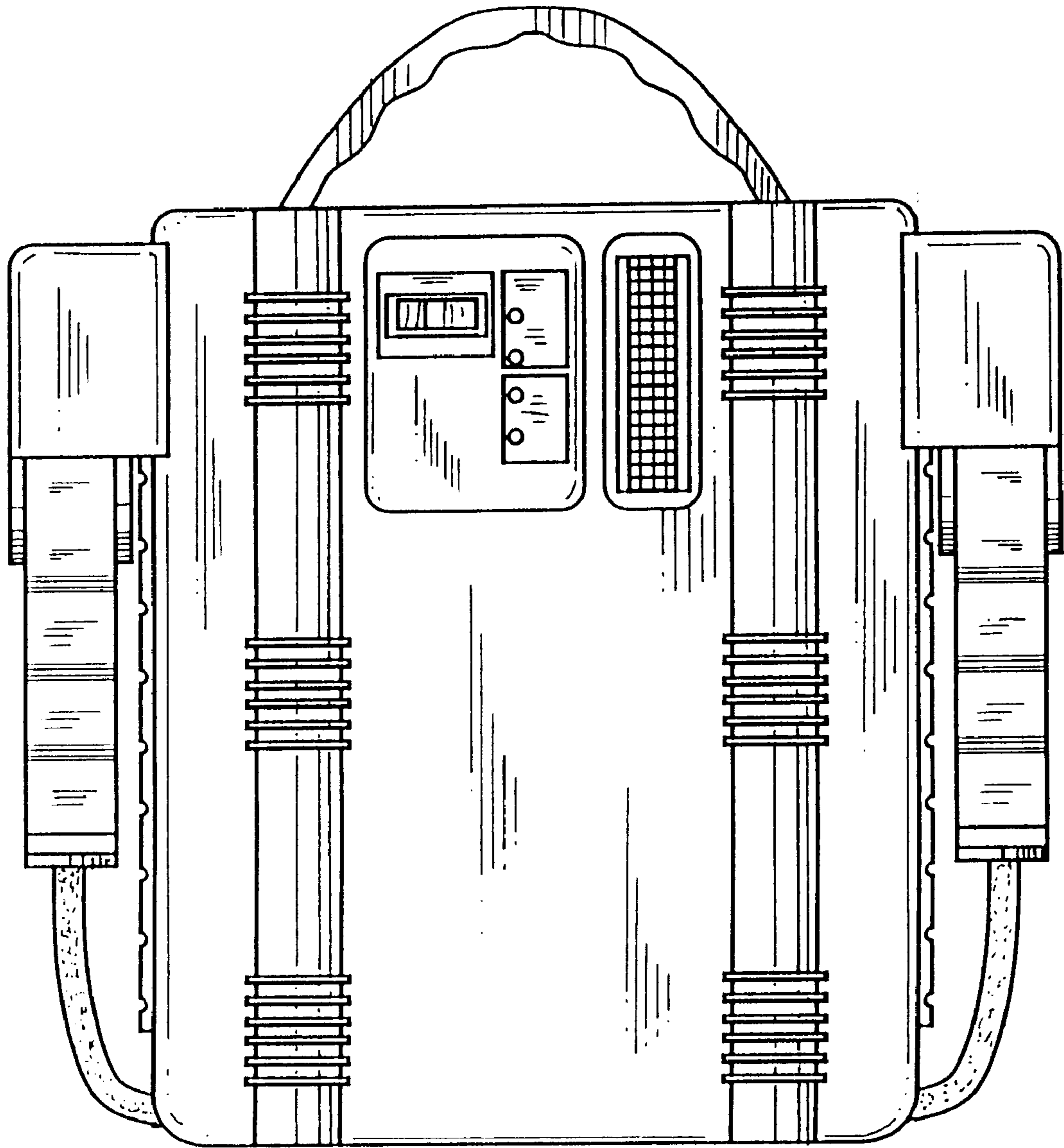


FIG. 2

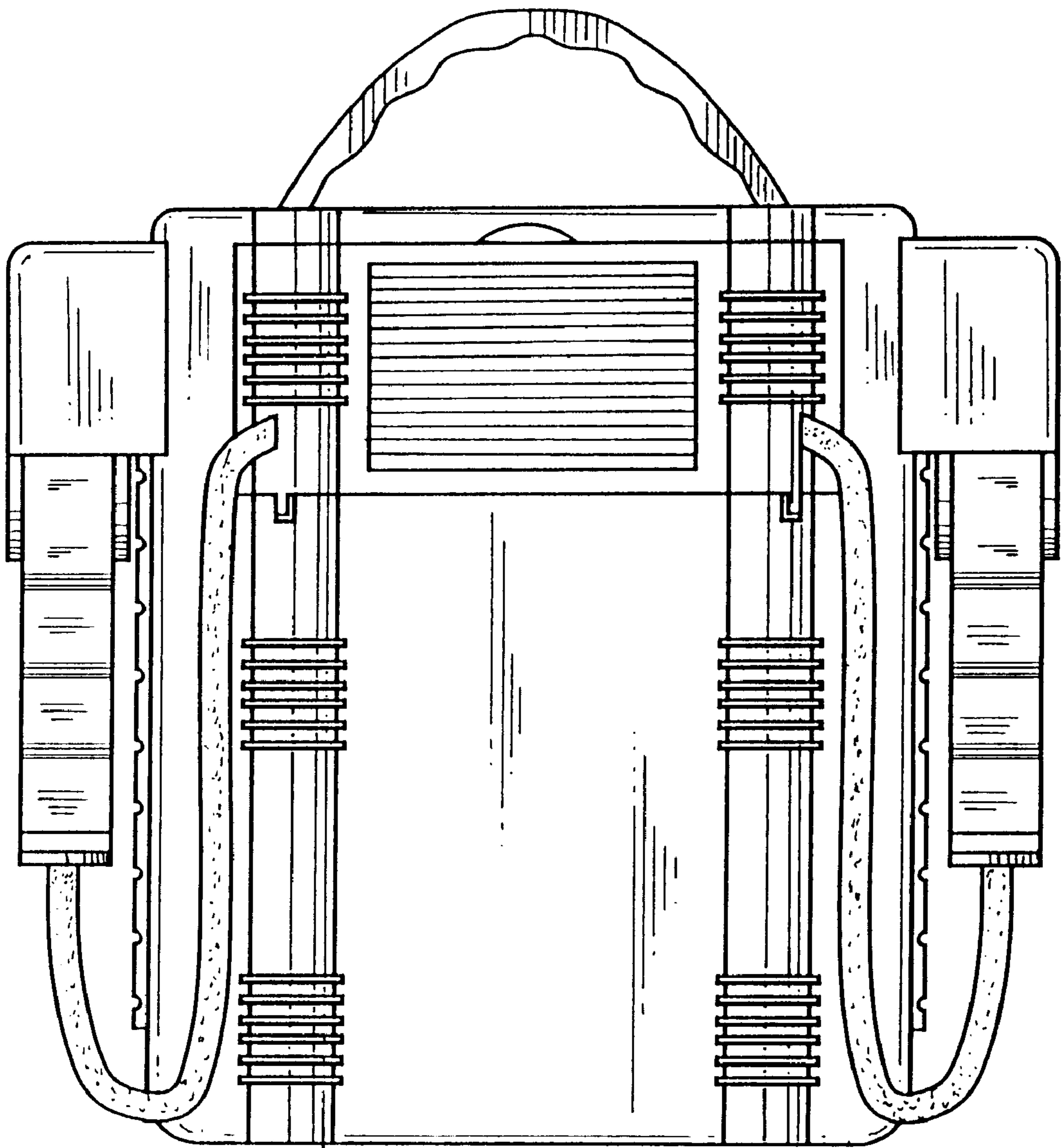


FIG. 3

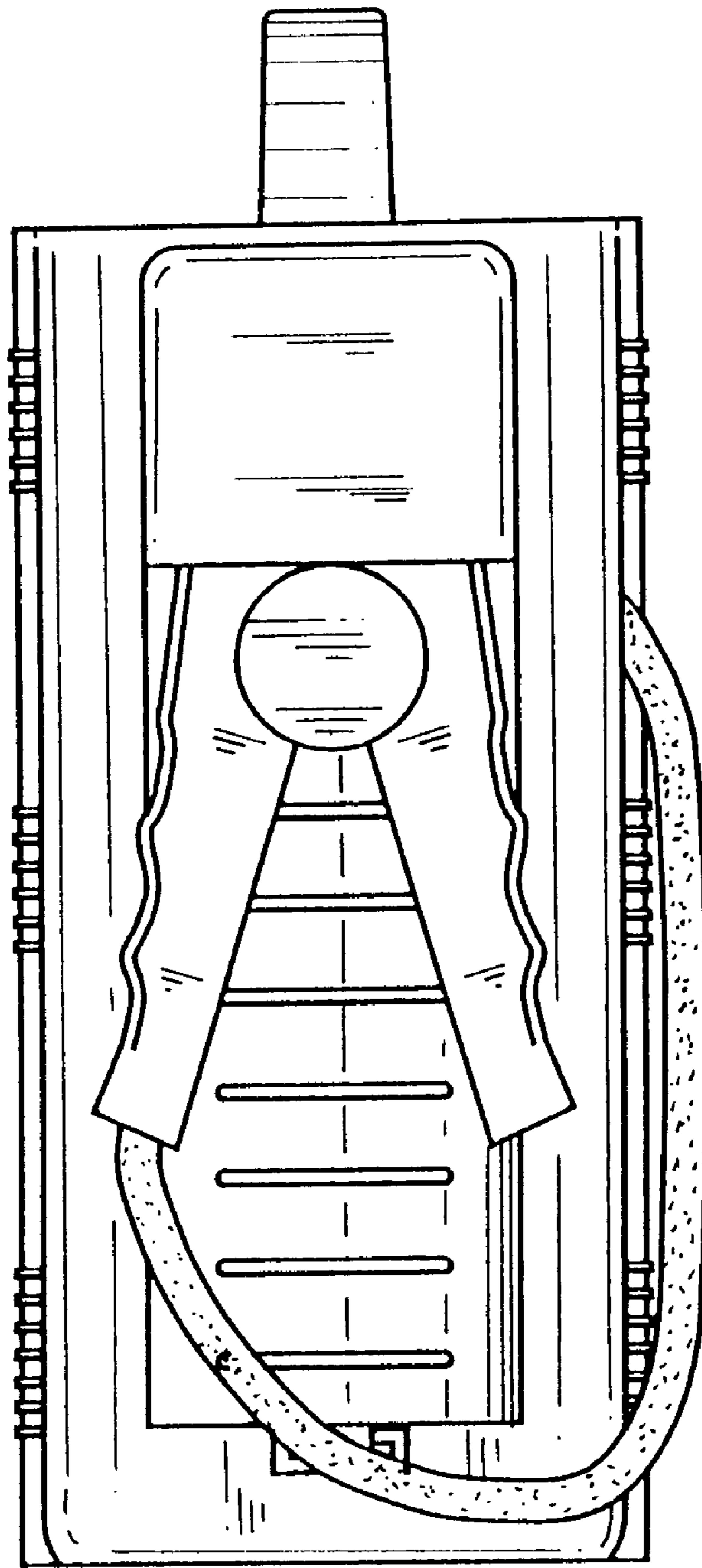


FIG. 4

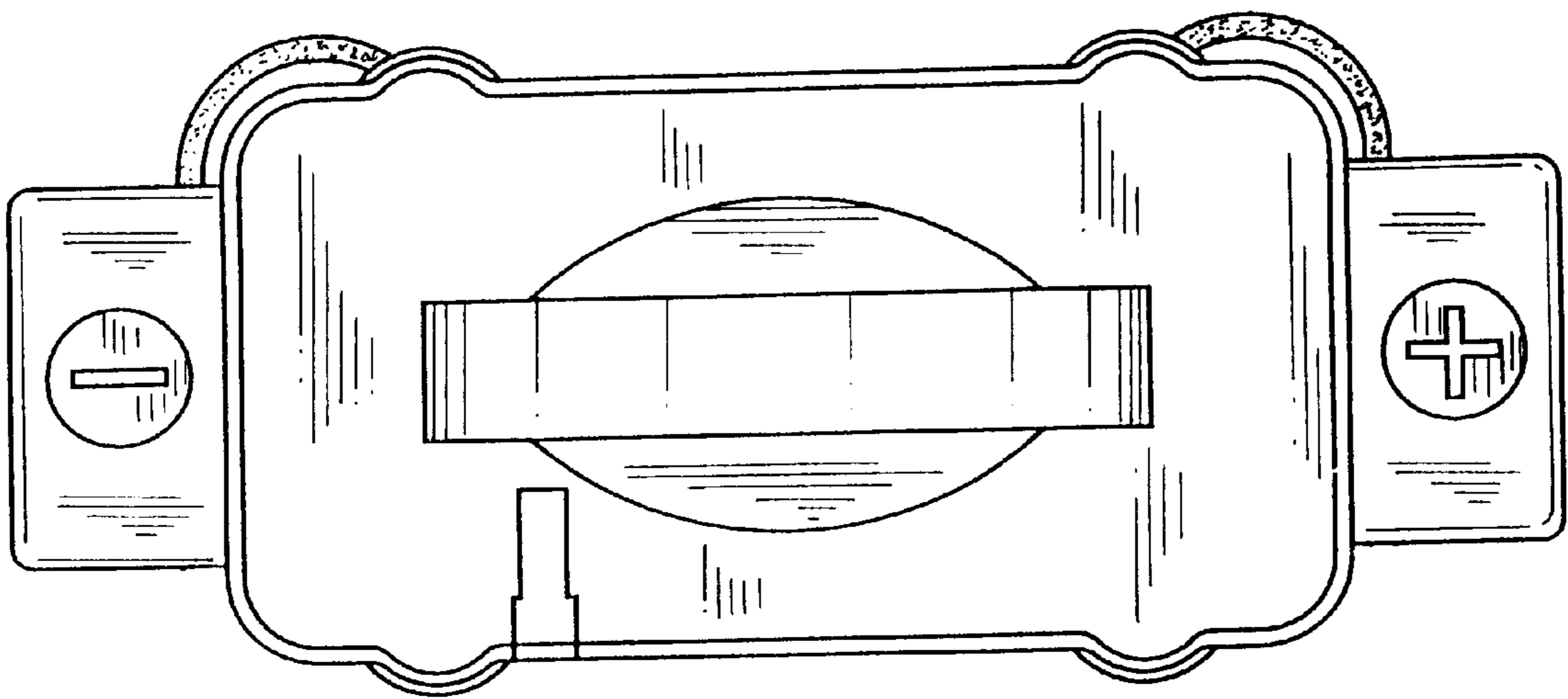


FIG. 5