



US00D413091S

United States Patent [19]

[11] Patent Number: **Des. 413,091**

DuRocher et al.

[45] Date of Patent: **** Aug. 24, 1999**

[54] **STEERING COLUMN STALK SWITCH**

[75] Inventors: **Daniel J. DuRocher**, Leonard;
Ellsworth S. Miller, Rochester Hills,
both of Mich.

[73] Assignee: **ITT Industries, Inc.**, White Plains,
N.Y.

[**] Term: **14 Years**

[21] Appl. No.: **29/088,268**

[22] Filed: **Sep. 25, 1995**

4,249,055	2/1981	Matsun .	
4,273,971	6/1981	Trequertha .	
4,277,658	7/1981	Delp et al.	200/61.54
4,291,213	9/1981	Felland et al.	200/335
4,292,485	9/1981	Kondo et al. .	
4,293,743	10/1981	Iwata et al.	200/61.54
4,321,437	3/1982	Cryer .	
4,327,264	4/1982	Botz et al.	200/61.54
4,336,428	6/1982	Berginski	200/61.54
4,376,236	3/1983	Long et al.	200/61.27
4,376,237	3/1983	Long	200/61.54
4,379,954	4/1983	Iwata et al.	200/61.54
4,387,279	6/1983	Brevick .	

(List continued on next page.)

Related U.S. Application Data

[63] Continuation of application No. 08/097,268, Jul. 23, 1993,
Pat. No. 5,453,588, which is a continuation of application
No. 07/972,597, Nov. 6, 1992, abandoned.

[51] **LOC (6) Cl.** **12-16**

[52] **U.S. Cl.** **D12/174**

[58] **Field of Search** D13/158, 169,
D13/173-175; D12/174; 200/61.54

[56] References Cited

U.S. PATENT DOCUMENTS

D. 256,575	8/1980	Moore	D12/174
D. 275,943	10/1984	Hickman et al.	D12/174
D. 276,421	11/1984	Shaw	D12/174
D. 294,243	2/1988	Lane, Jr.	D12/174
D. 294,244	2/1988	Lane, Jr.	D12/174
D. 307,736	5/1990	Otteson	D12/174
3,209,092	9/1965	Vitaloni et al.	200/61.34
3,459,913	8/1969	Mutschler et al.	.	
3,476,896	11/1969	Schreiber	200/61.54
3,646,300	2/1972	Manabe .		
3,699,292	10/1972	Ohkita .		
3,719,787	3/1973	Tomecek	200/61.27
3,892,932	7/1975	Erdelitsch et al.	200/61.54
3,934,101	1/1976	Jones	200/61.54
3,940,579	2/1976	Bühl et al.	200/61.54
4,122,317	10/1978	Shimamune et al.	.	
4,129,757	12/1978	Cryer	200/61.54
4,149,048	4/1979	Winter et al.	200/61.54
4,186,290	1/1980	Matsuo .		
4,200,773	4/1980	Komatsu et al.	.	
4,219,706	8/1980	Koch et al.	200/61.54

FOREIGN PATENT DOCUMENTS

0329968	8/1989	European Pat. Off. .	
1904616	8/1970	Germany .	
2533802	2/1977	Germany .	
2620192	4/1979	Germany .	
3128752	5/1982	Germany .	
3219579	12/1982	Germany .	
3122353	1/1983	Germany .	
3237055	4/1983	Germany .	
3336877	5/1985	Germany .	
3336878	5/1985	Germany .	
3402082	7/1985	Germany .	
1327040	8/1973	United Kingdom .	
2135124	8/1984	United Kingdom .	
2135126	8/1984	United Kingdom .	

Primary Examiner—Brian N. Vinson
Attorney, Agent, or Firm—J. Gordon Lewis

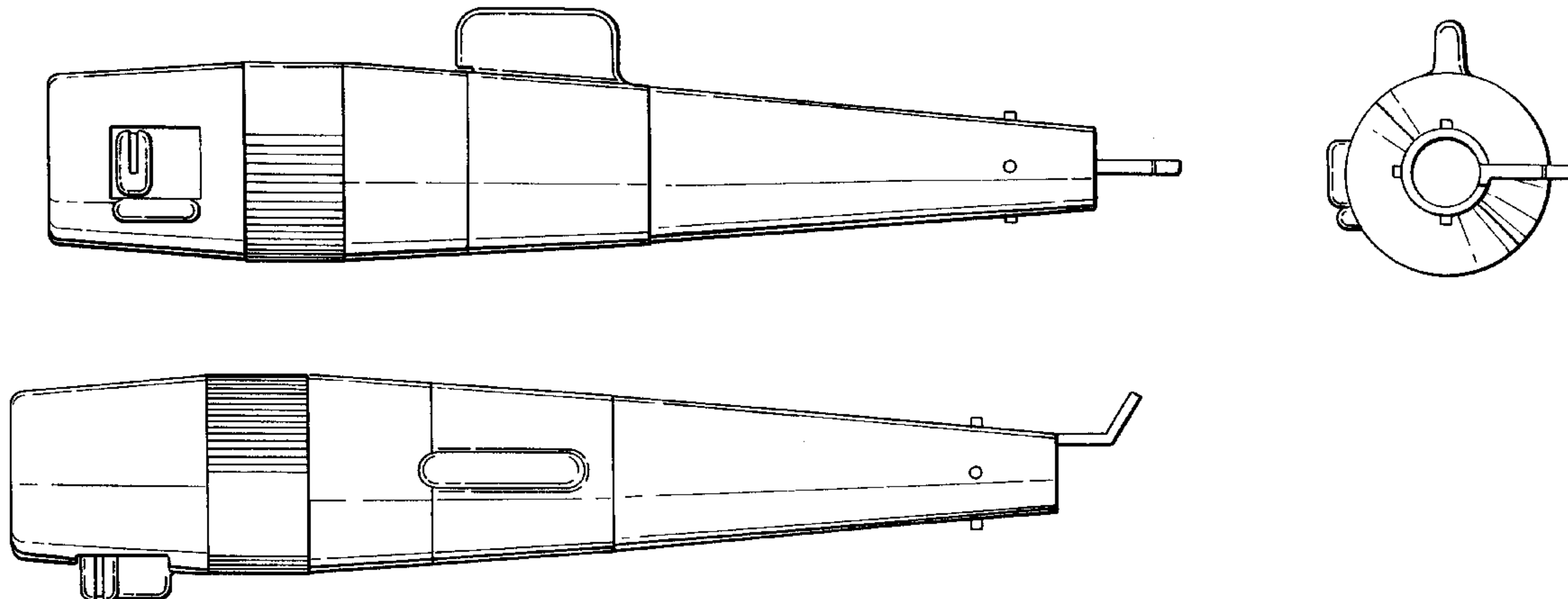
[57] CLAIM

The ornamental design for a steering column stalk switch, as shown and described.

DESCRIPTION

FIG. 1 is a front elevational view of a steering column stalk switch showing our new design; FIG. 2 is a rear elevational view thereof; FIG. 3 is a right end elevational view thereof; FIG. 4 is a left end elevational view thereof; FIG. 5 is a top plan view thereof; and, FIG. 6 is a bottom plan view thereof.

1 Claim, 2 Drawing Sheets



Des. 413,091

Page 2

U.S. PATENT DOCUMENTS

4,400,598	8/1983	Jandl et al.	200/61.54	4,810,839	3/1989	Chretien	200/61.54
4,404,438	9/1983	Honjo	200/61.54	4,857,815	8/1989	Erdelitsch et al.	200/61.54
4,531,026	7/1985	Terajima et al. .		4,871,885	10/1989	Kamada .	
4,543,848	10/1985	Beauch	200/61.54	4,882,457	11/1989	Erdelitsch et al.	200/61.54
4,613,737	9/1986	Nishijima .		4,920,239	4/1990	Bühler et al.	200/61.54
4,648,728	3/1987	Erdelitsch et al.	384/537	5,003,132	3/1991	Lagier .	
4,678,875	7/1987	Erdelitsch et al.	200/61.54	5,049,706	9/1991	DuRocher	200/61.54
4,723,057	2/1988	Lane, Jr.	200/61.54	5,075,519	12/1991	Hayakawa .	
4,739,130	4/1988	Roller et al.	200/61.54	5,107,243	4/1992	Maeda .	
4,754,209	6/1988	Mizuta .		5,120,914	6/1992	Kerner et al.	200/61.54
4,791,253	12/1988	Erdelitsch et al.	200/61.54	5,193,669	3/1993	Demen et al. .	
				5,272,290	12/1993	Suzuki et al. .	

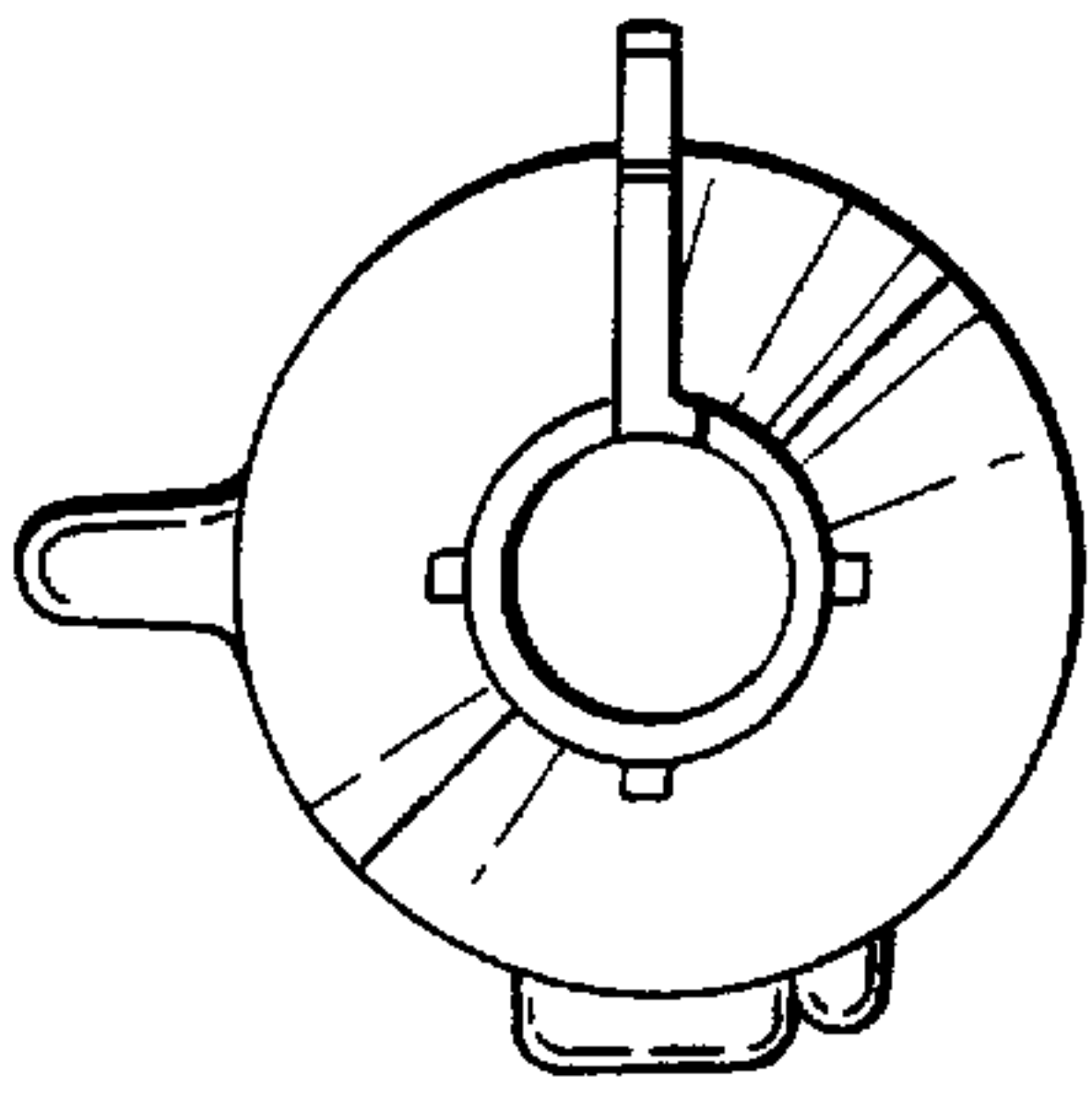


FIG-3

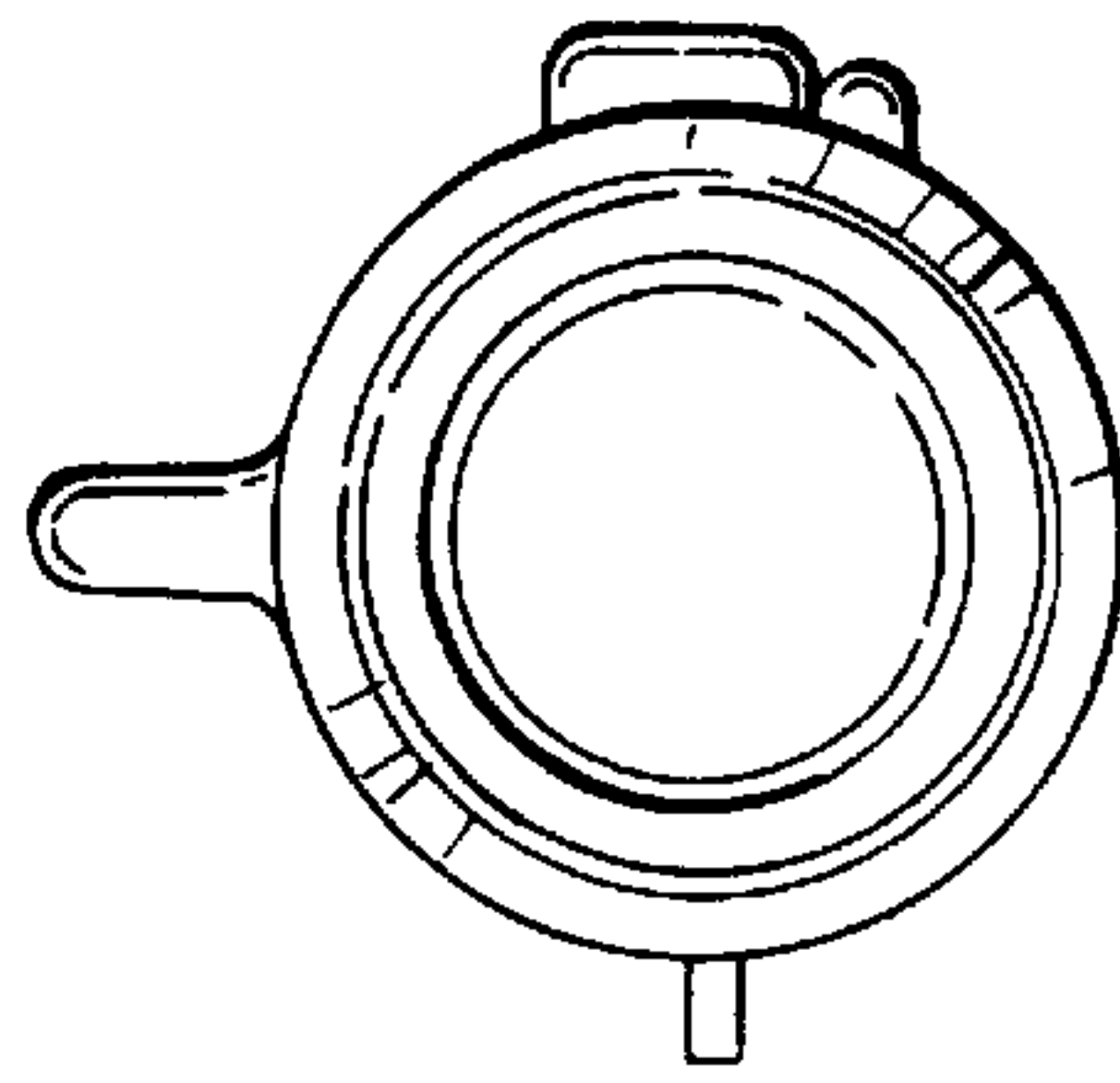


FIG-4

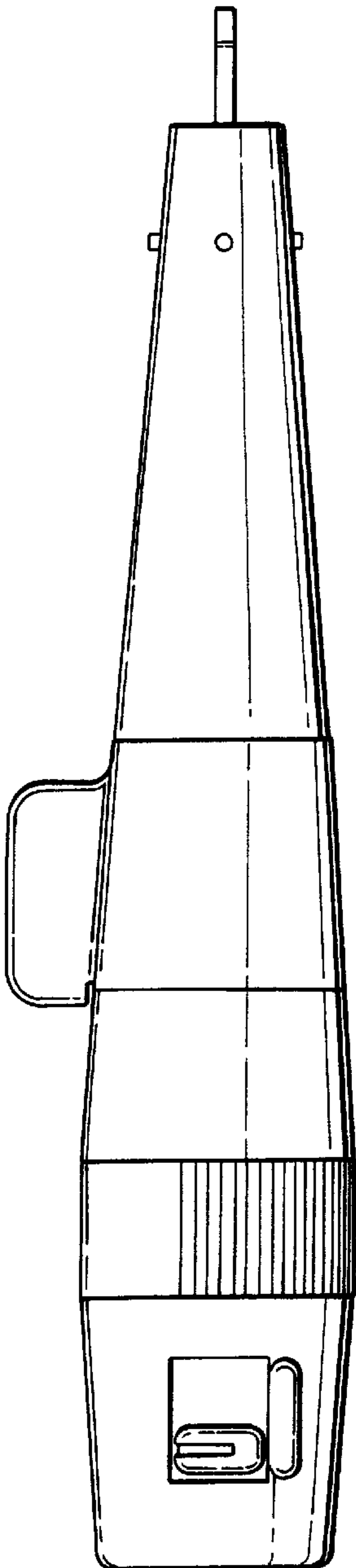


FIG-1

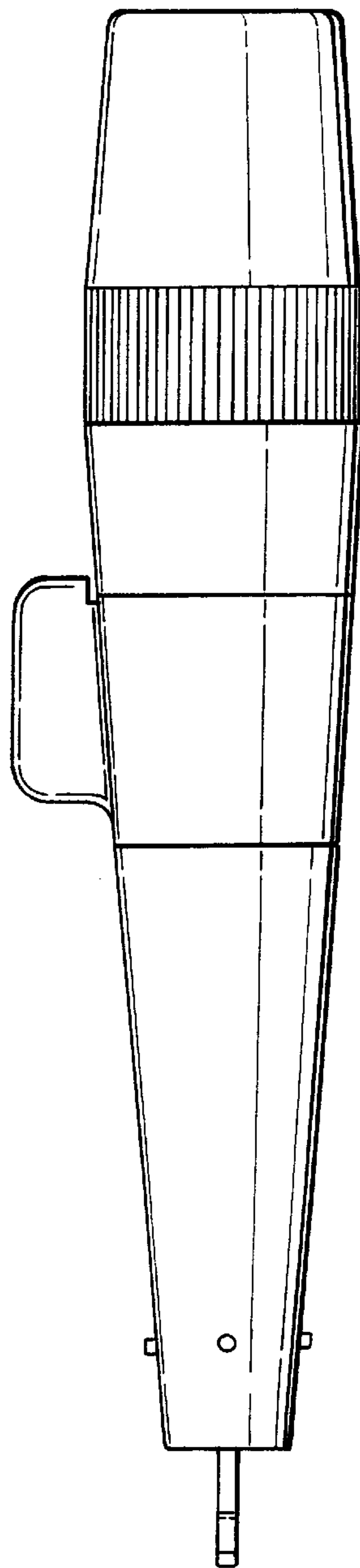


FIG-2

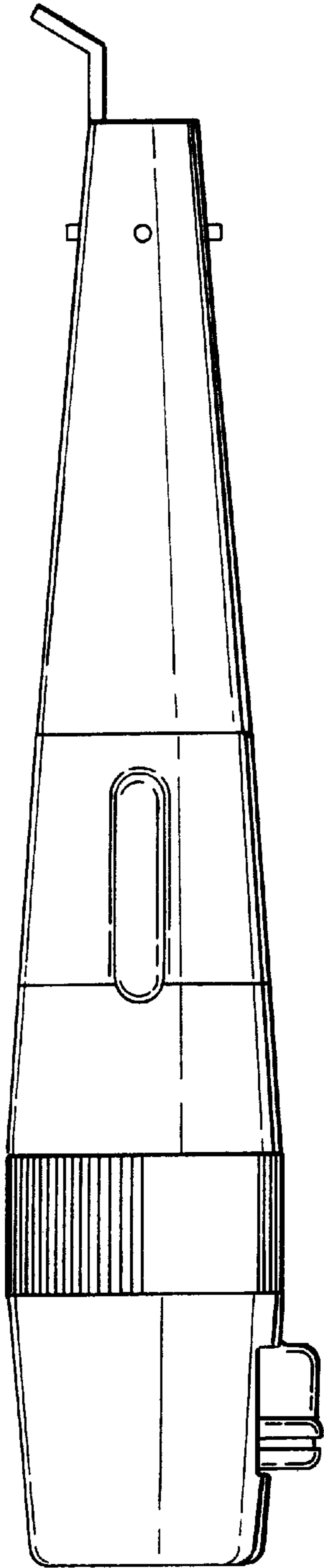


FIG-5

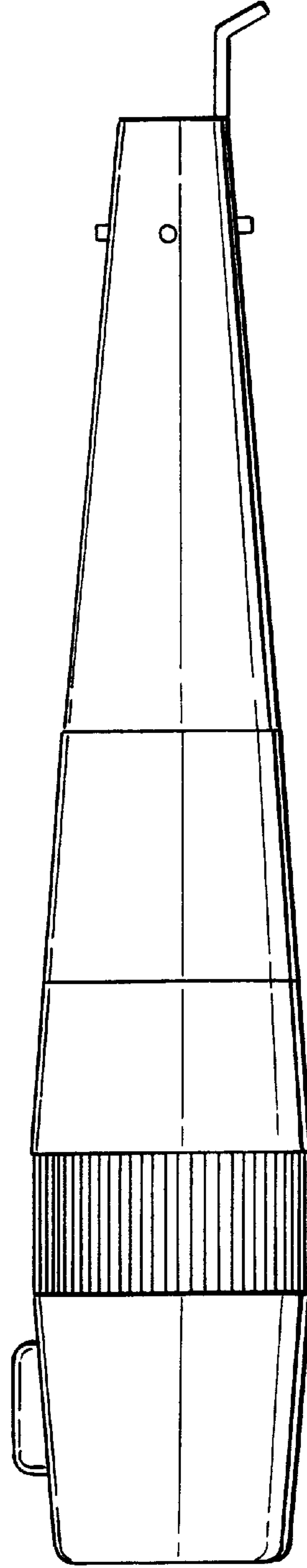


FIG-6