



US00D413090S

# United States Patent [19] Huang

[11] **Patent Number: Des. 413,090**

[45] **Date of Patent: \*\* Aug. 24, 1999**

[54] **FENDER GUARD**

5,308,134 5/1994 Stanesu ..... 296/91

[75] Inventor: **Nan Huang Huang**, Rancho Palos Verdes, Calif.

*Primary Examiner*—Melody N. Brown  
*Attorney, Agent, or Firm*—Thomas I. Rozsa; Tony D. Chen; Jerry Fong

[73] Assignee: **Grand General Accessories Manufacturing Inc.**, Compton, Calif.

[57] **CLAIM**

[\*\*] Term: **14 Years**

The ornamental design for a fender guard, as shown and described.

[21] Appl. No.: **29/085,239**

**DESCRIPTION**

[22] Filed: **Mar. 18, 1998**

FIG. 1 is an environmental perspective view of the fender guard with the broken line showing of a partial truck being for illustrative purposes only and forming no part of the claimed design;

[51] **LOC (6) Cl.** ..... **12-16**

[52] **U.S. Cl.** ..... **D12/169**

FIG. 2 is a front elevational view;

FIG. 3 is a rear elevational view;

[58] **Field of Search** ..... D12/185, 169,  
D12/181; 293/102, 117, 120; 296/180.1,  
180.2, 91

FIG. 4 is a side elevational view when viewed from the left side of FIG. 2;

FIG. 5 is a side elevational view when viewed from the right side of FIG. 2;

FIG. 6 is a top plan view; and,

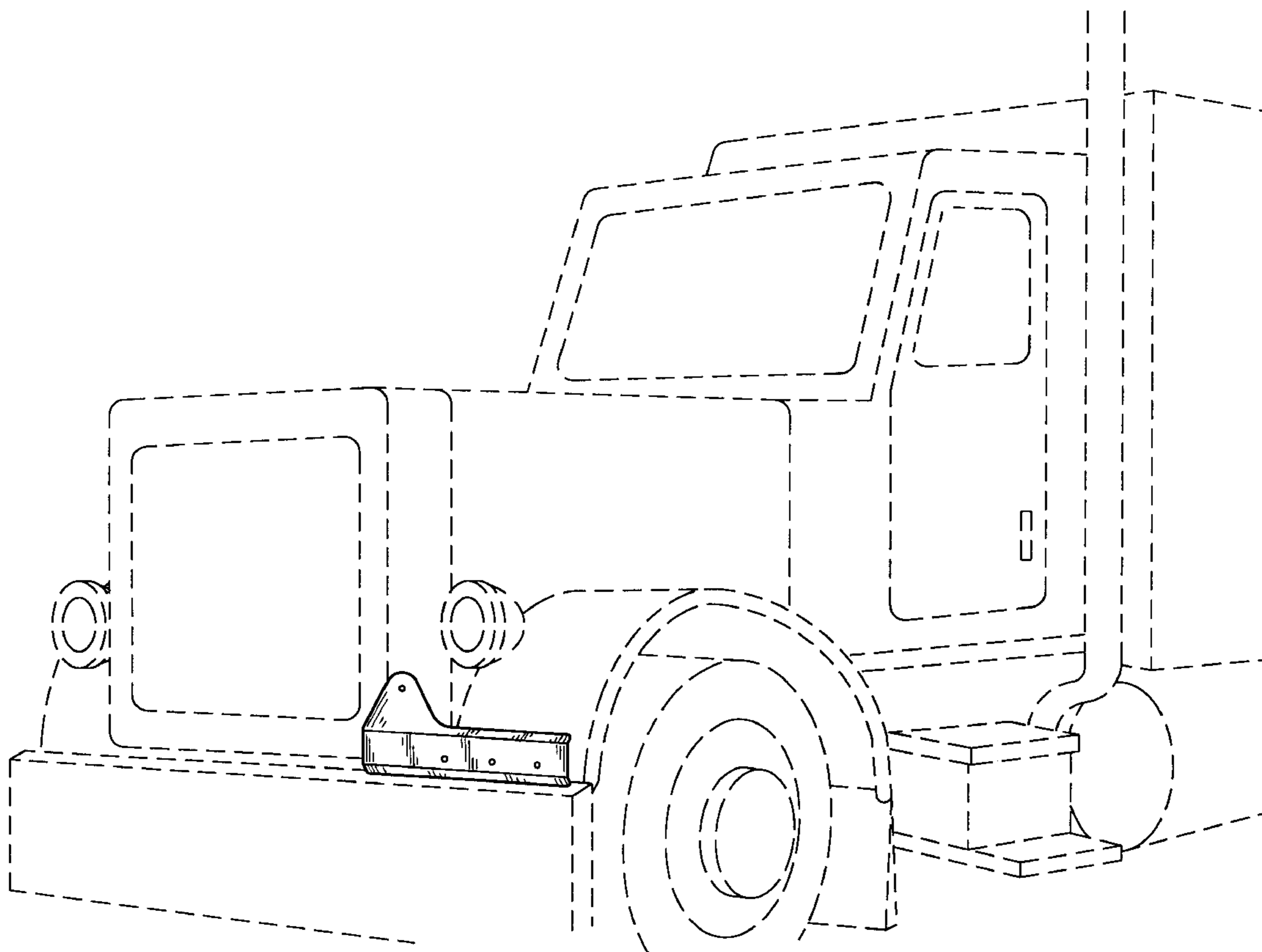
FIG. 7 is a bottom plan view.

[56] **References Cited**

**U.S. PATENT DOCUMENTS**

- D. 319,036 8/1991 Fengerle ..... D12/96
- D. 364,371 11/1995 Ray et al. .... D12/169
- D. 400,144 10/1998 Hellhake et al. .... D12/169

**1 Claim, 2 Drawing Sheets**



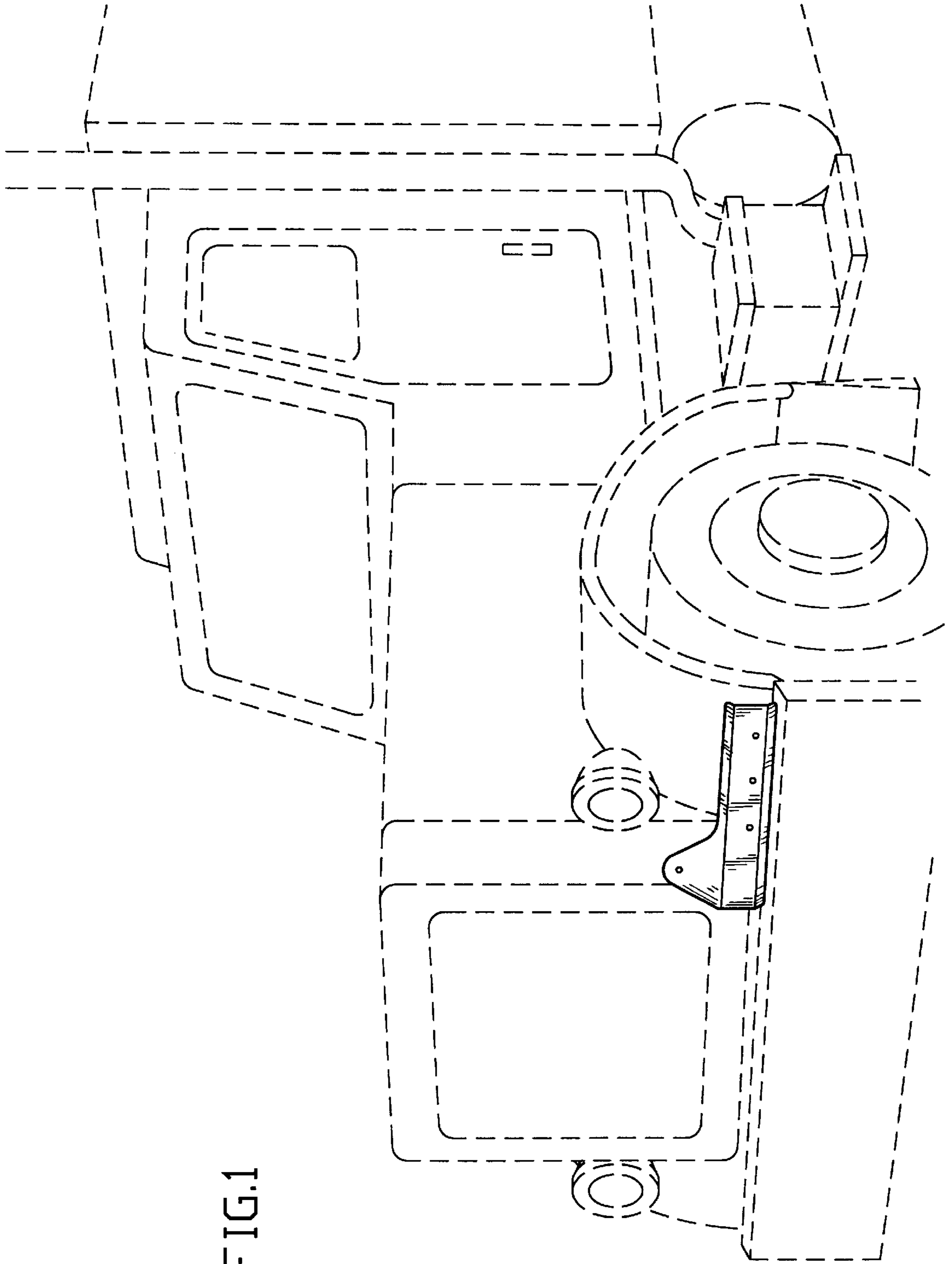


FIG. 1

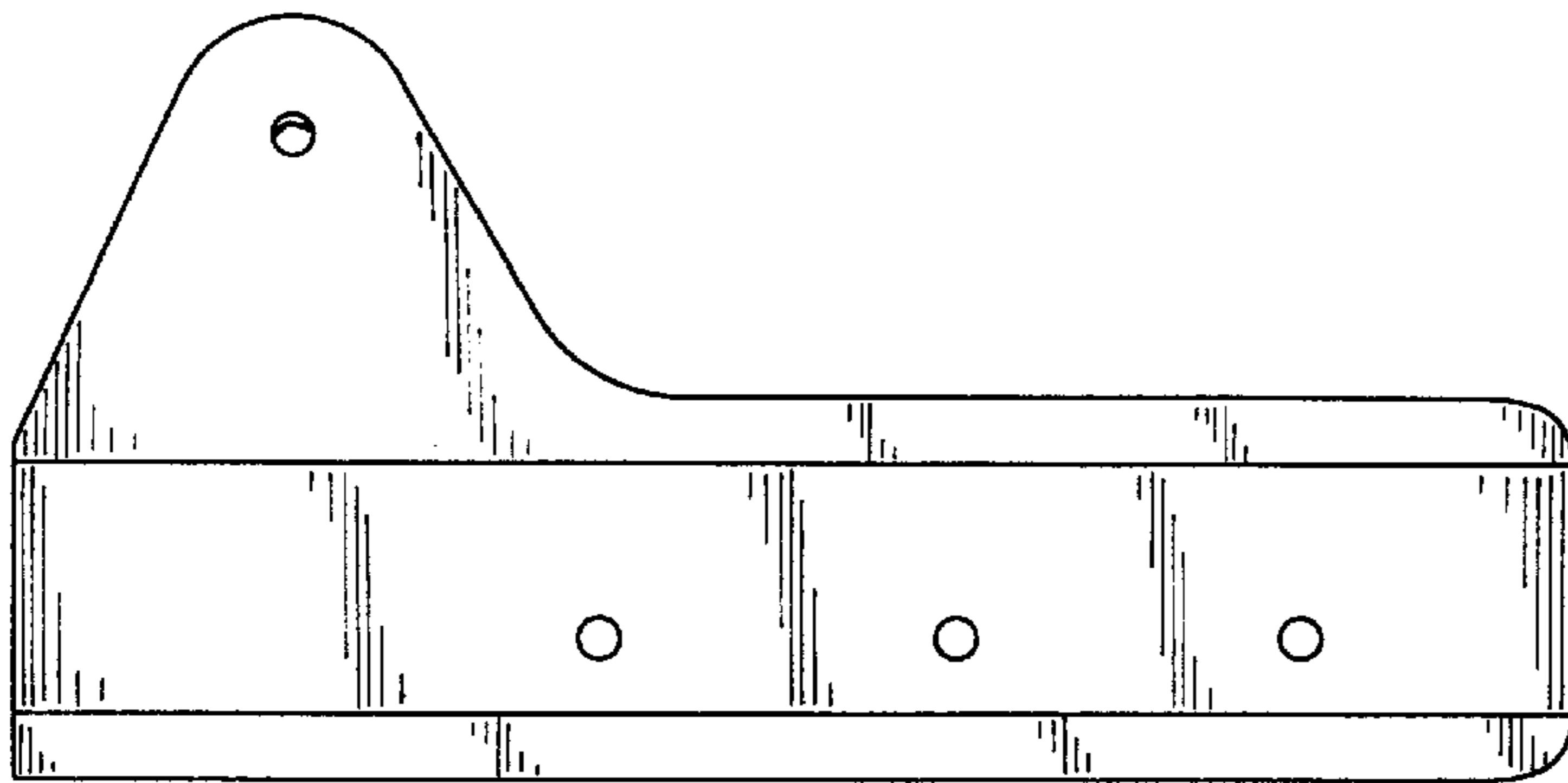


FIG. 2

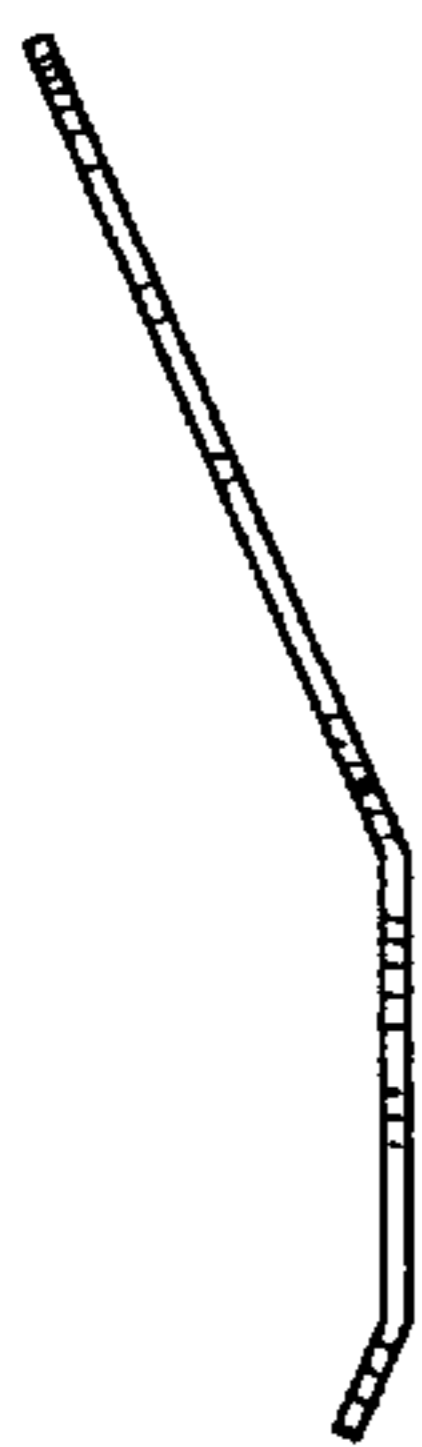


FIG. 4

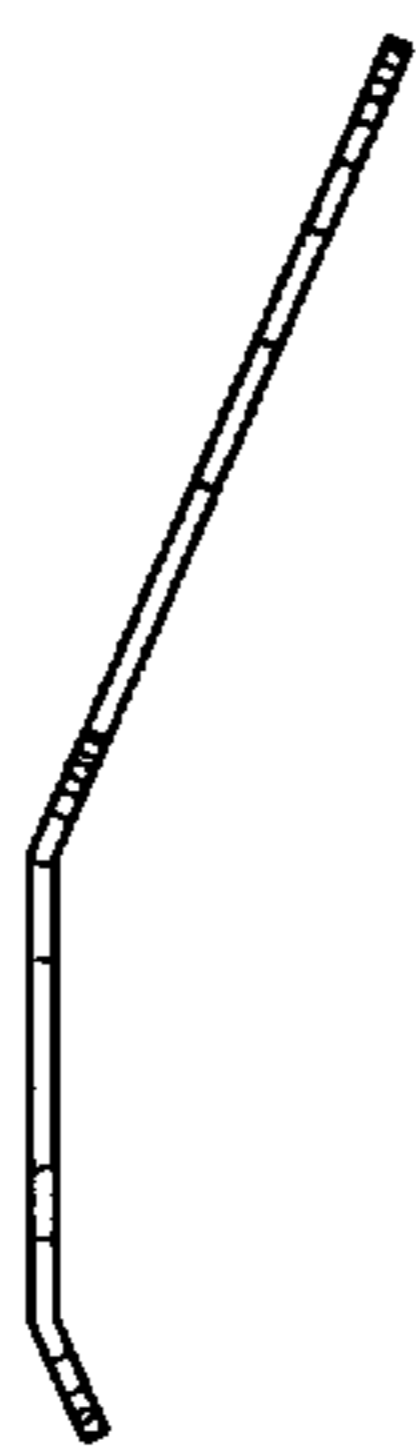


FIG. 5

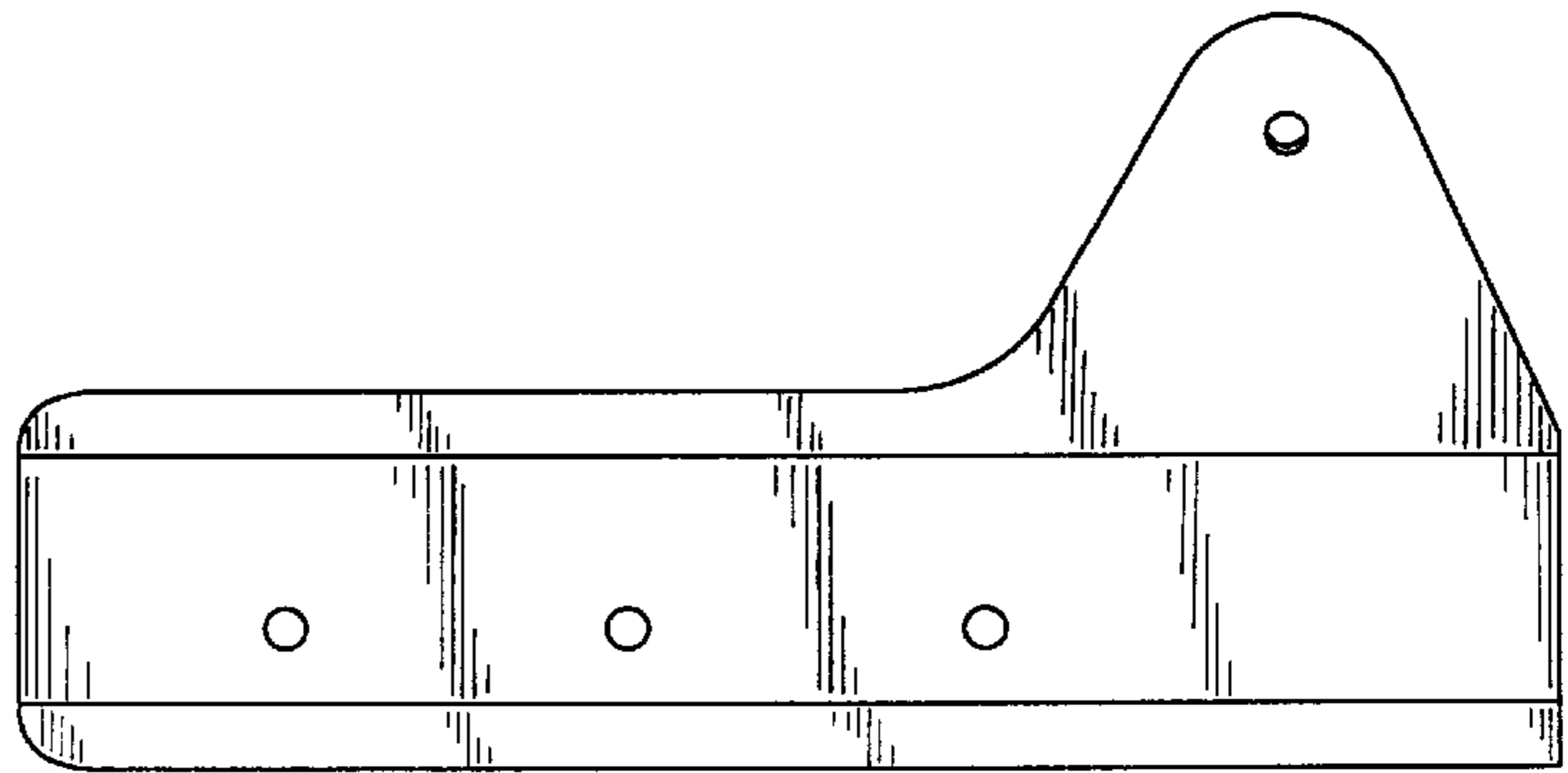


FIG. 3



FIG. 6

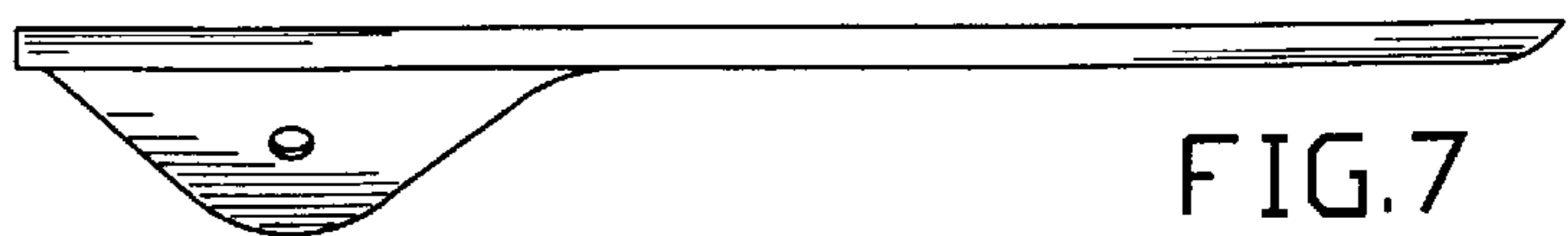


FIG. 7