



US00D413087S

United States Patent [19]
Rooney

[11] **Patent Number: Des. 413,087**

[45] **Date of Patent: ** Aug. 24, 1999**

[54] **ALL TERRAIN VEHICLE TREAD**

[75] Inventor: **Timothy Michael Rooney**, Munroe Falls, Ohio

[73] Assignee: **The Goodyear Tire & Rubber Company**, Akron, Ohio

[**] Term: **14 Years**

[21] Appl. No.: **29/093,062**

[22] Filed: **Sep. 2, 1998**

[51] **LOC (6) Cl.** **12-15**

[52] **U.S. Cl.** **D12/136; D12/140; D12/147**

[58] **Field of Search** **D12/136-151; 152/209.1, 209.8, 209.9, 209.11, 209.13, 209.16, 209.18, 209.19, 209.28, 900, 901, 902, 903**

[56] **References Cited**

U.S. PATENT DOCUMENTS

D. 354,033	1/1995	Grosskopf	D12/147
D. 388,753	1/1998	Brayer et al.	D12/147
D. 390,176	2/1998	Maxwell	D12/147
D. 395,625	6/1998	Mori	D12/147
D. 405,738	2/1999	Ratliff, Jr.	D12/147
3,486,545	12/1969	Niclas et al.	152/155

3,994,329	11/1976	Masson et al.	152/353 R
4,090,547	5/1978	Schmidt	152/354 R
4,365,659	12/1982	Yoshida et al.	152/354 R
4,917,164	4/1990	Ushikubo et al.	152/517
5,046,542	9/1991	Ohta et al.	152/209 R
5,299,615	4/1994	Ataka	152/454
5,467,807	11/1995	Neddenriep et al.	152/458
5,494,958	2/1996	Freeman et al.	524/505
5,529,105	6/1996	Hayashi et al.	152/517
5,674,331	10/1997	Saeki et al.	152/209 R
5,769,980	6/1998	Spragg et al.	152/517
5,769,983	6/1998	Nishigata	152/555

Primary Examiner—Robert M. Spear
Attorney, Agent, or Firm—David L King

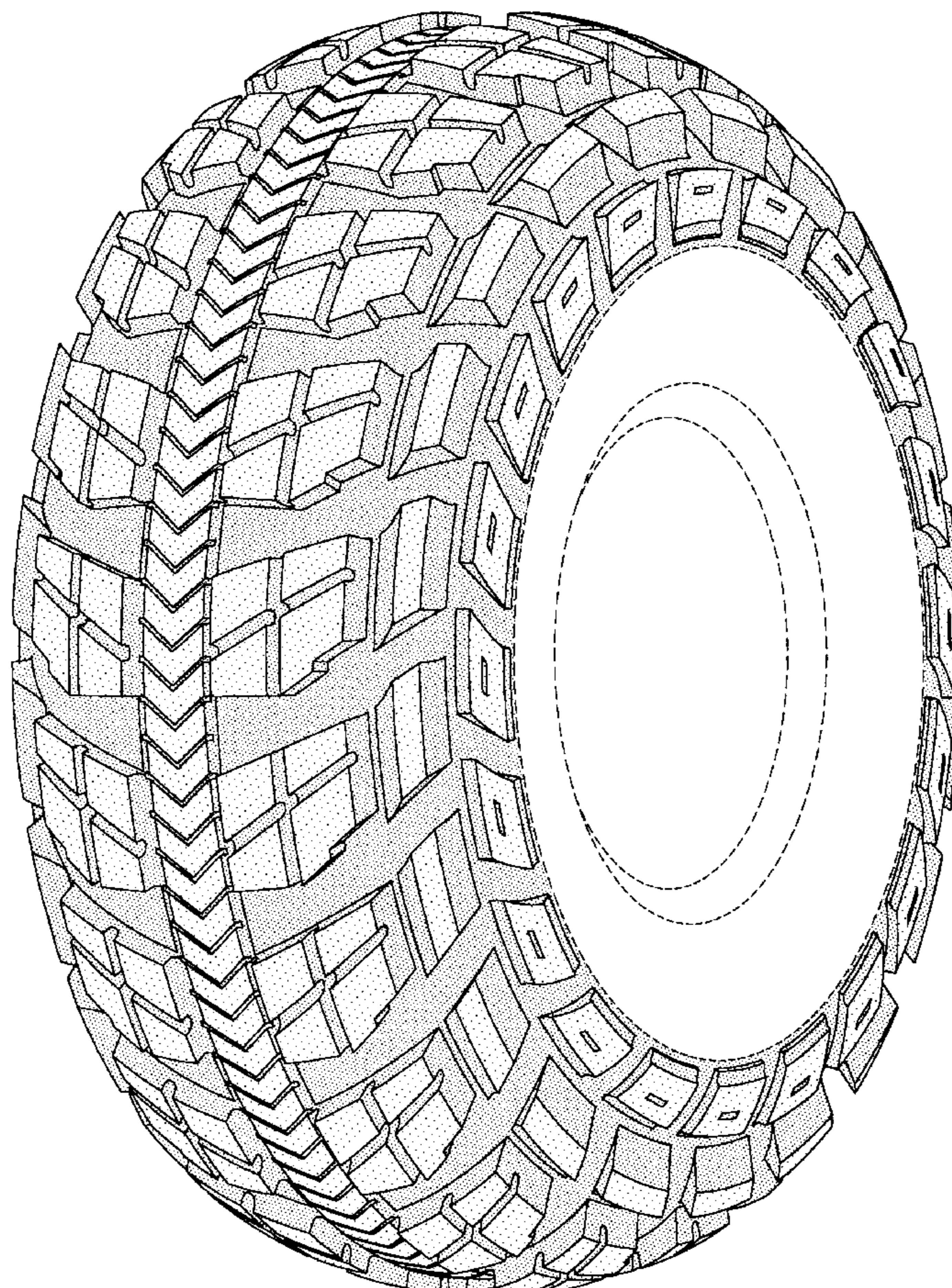
[57] **CLAIM**

The ornamental design for an all terrain vehicle tread, as shown and described.

DESCRIPTION

FIG. 1 is a perspective view showing the all terrain vehicle tread;
FIG. 2 is a front elevational view thereof;
FIG. 3 is a side elevational view thereof; and,
FIG. 4 is an enlarged fragmentary view of a portion of the tire tread as illustrated in FIG. 2.

1 Claim, 4 Drawing Sheets



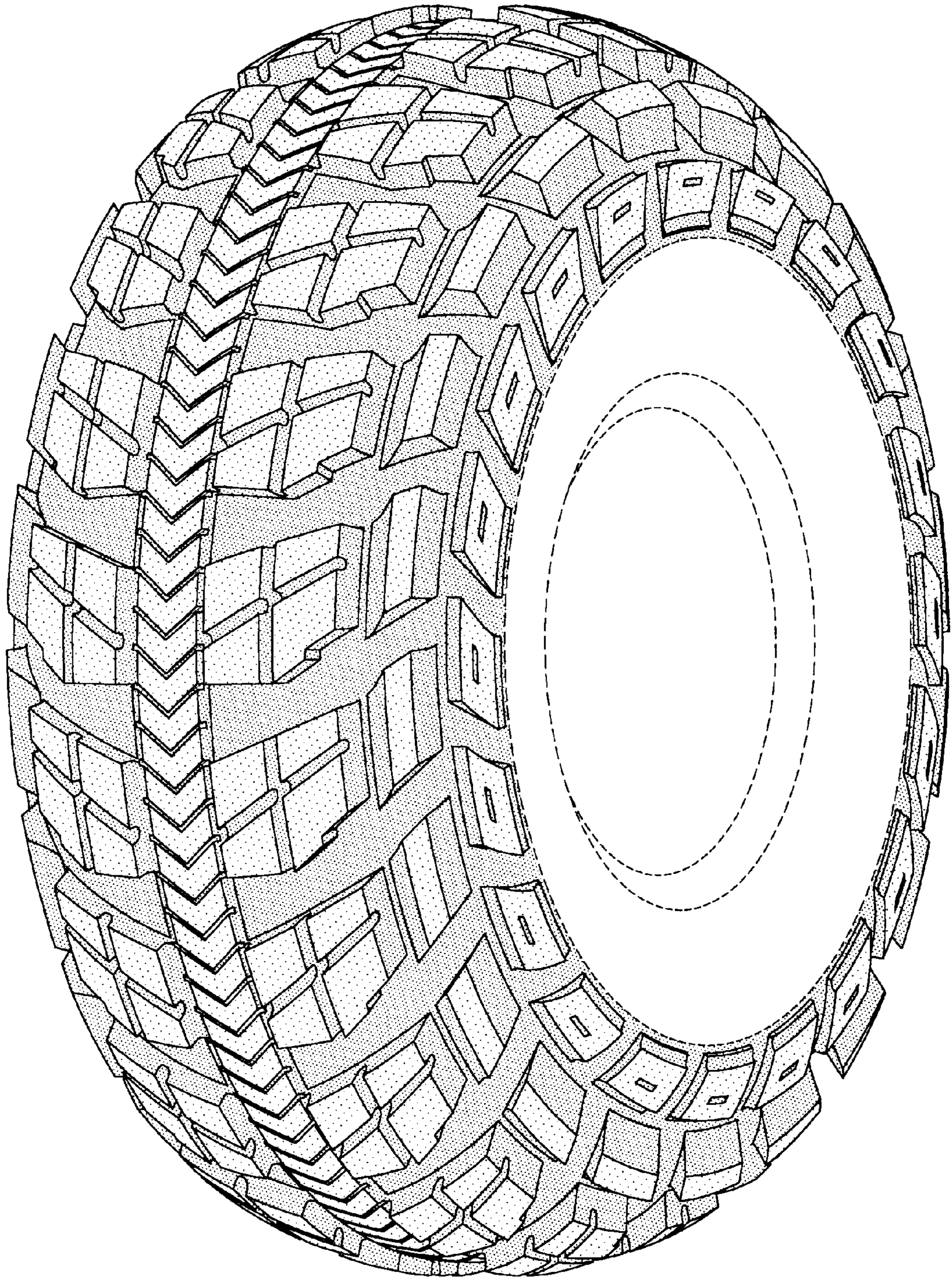


FIG-1

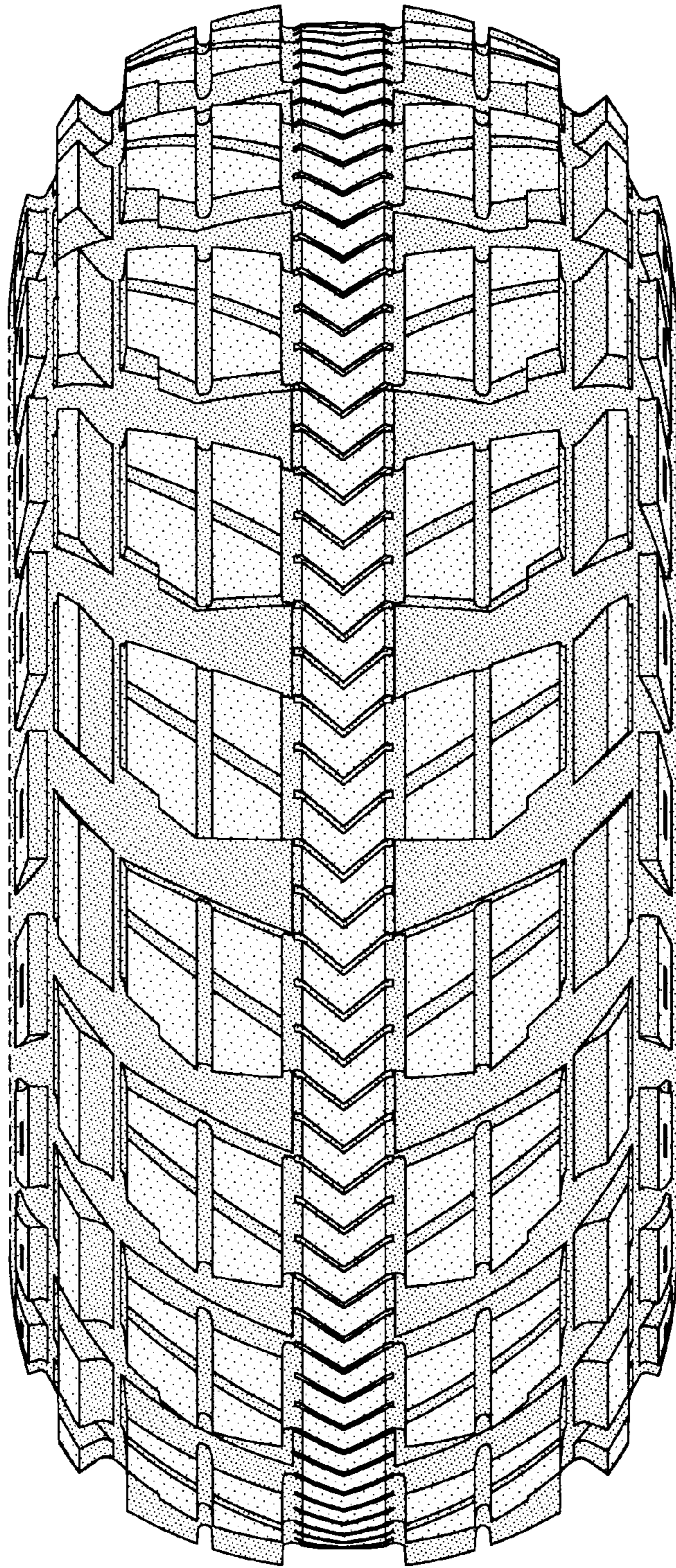


FIG-2

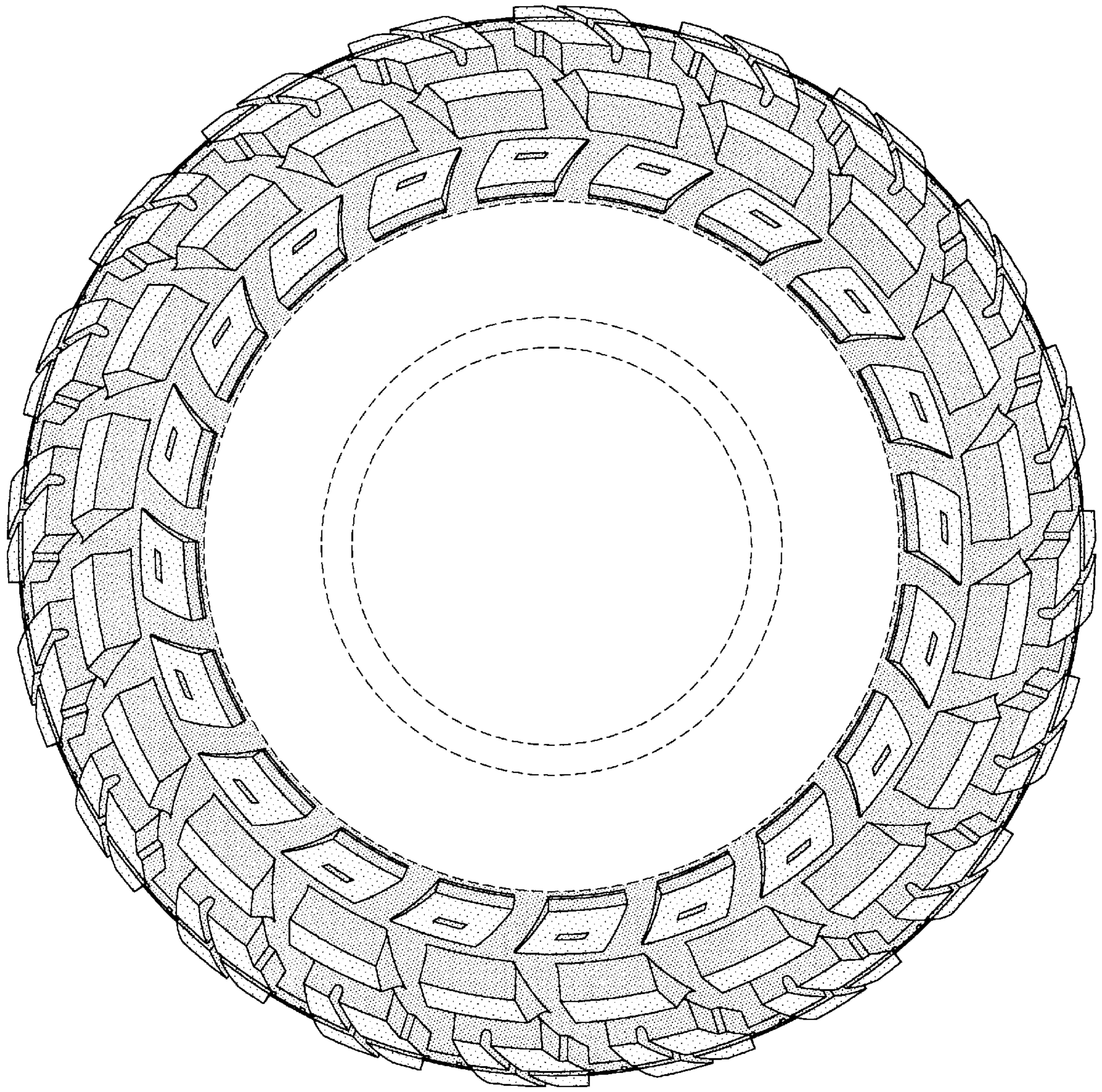


FIG-3

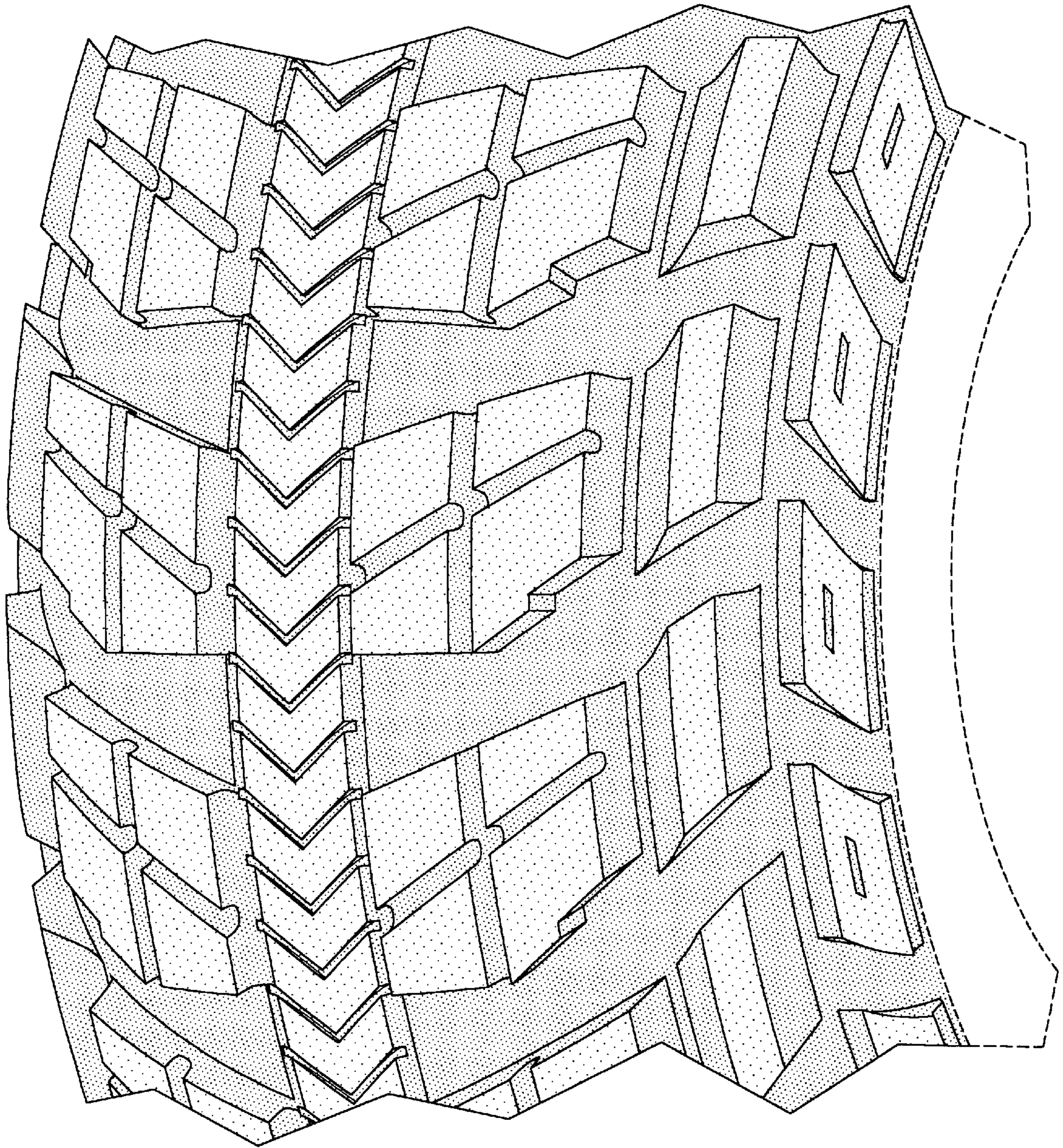


FIG-4