



US00D413086S

United States Patent [19]
Brotherston

[11] **Patent Number: Des. 413,086**

[45] **Date of Patent: ** Aug. 24, 1999**

[54] **BACK REST FOR HEALTH CARE CHAIR**

[75] Inventor: **Ian Brotherston**, Listowel, Canada

[73] Assignee: **Broda Enterprises Inc.**, Waterloo, Canada

[**] Term: **14 Years**

[21] Appl. No.: **29/096,695**

[22] Filed: **Nov. 18, 1998**

[30] **Foreign Application Priority Data**

Jul. 17, 1998 [CA] Canada 1998-1712

[51] **LOC (6) Cl.** **12-12**

[52] **U.S. Cl.** **D12/133; D12/128; D6/502**

[58] **Field of Search** D12/128-133;
D6/335, 336, 367, 370, 361, 502; 297/30,
68, 377; 280/250.1

[56] **References Cited**

U.S. PATENT DOCUMENTS

D. 279,240 6/1985 Jernigan D6/361

D. 315,123 3/1991 Spiegel et al. D12/131
D. 364,971 12/1995 Sterlacci D6/367
D. 374,128 10/1996 Yoder, Jr. D6/361
D. 390,368 2/1998 Tseng D6/361

Primary Examiner—Kay H. Chin

[57] **CLAIM**

The ornamental design for a back rest for health care chair, as shown and described.

DESCRIPTION

FIG. 1 is a top perspective view of a back rest for health care chair showing my new design, the broken lines are for illustrative purposes only and form no part of the claimed design;

FIG. 2 is a top plan view thereof;

FIG. 3 is a right side elevational view thereof;

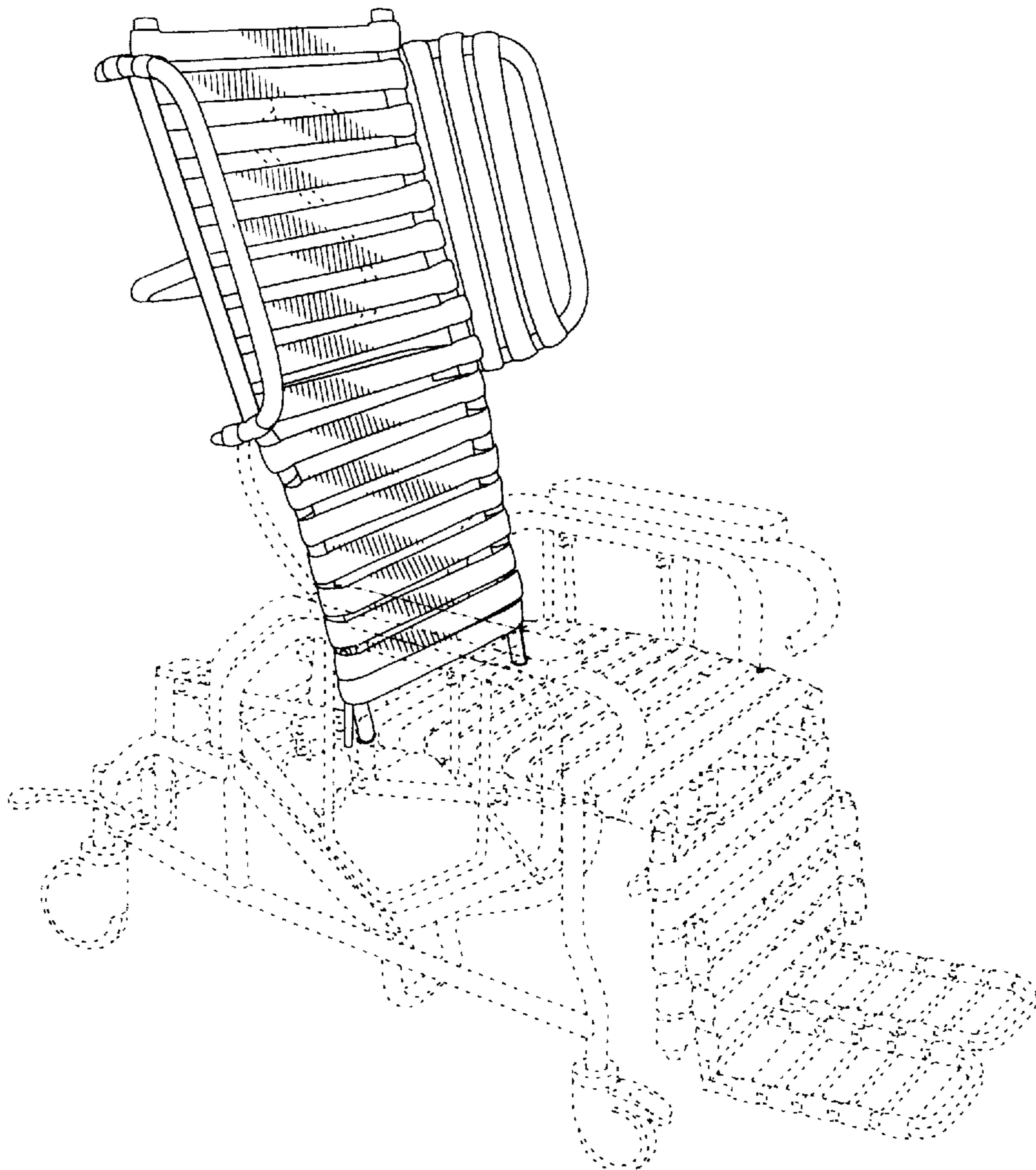
FIG. 4 is a left side elevational view thereof;

FIG. 5 is a bottom plan view thereof;

FIG. 6 is a front elevational view thereof; and,

FIG. 7 is a rear elevational view thereof.

1 Claim, 4 Drawing Sheets



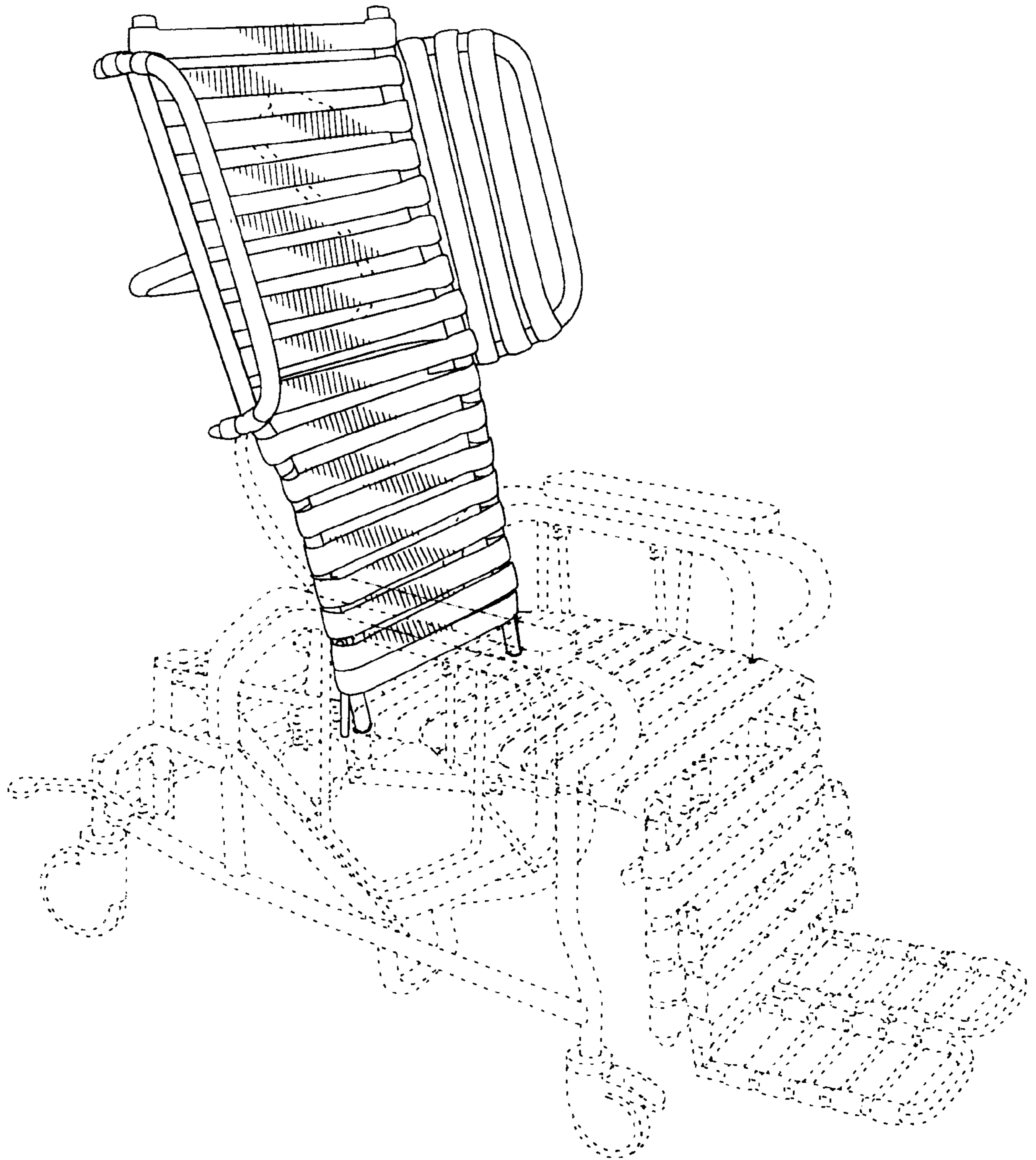


FIG. 1

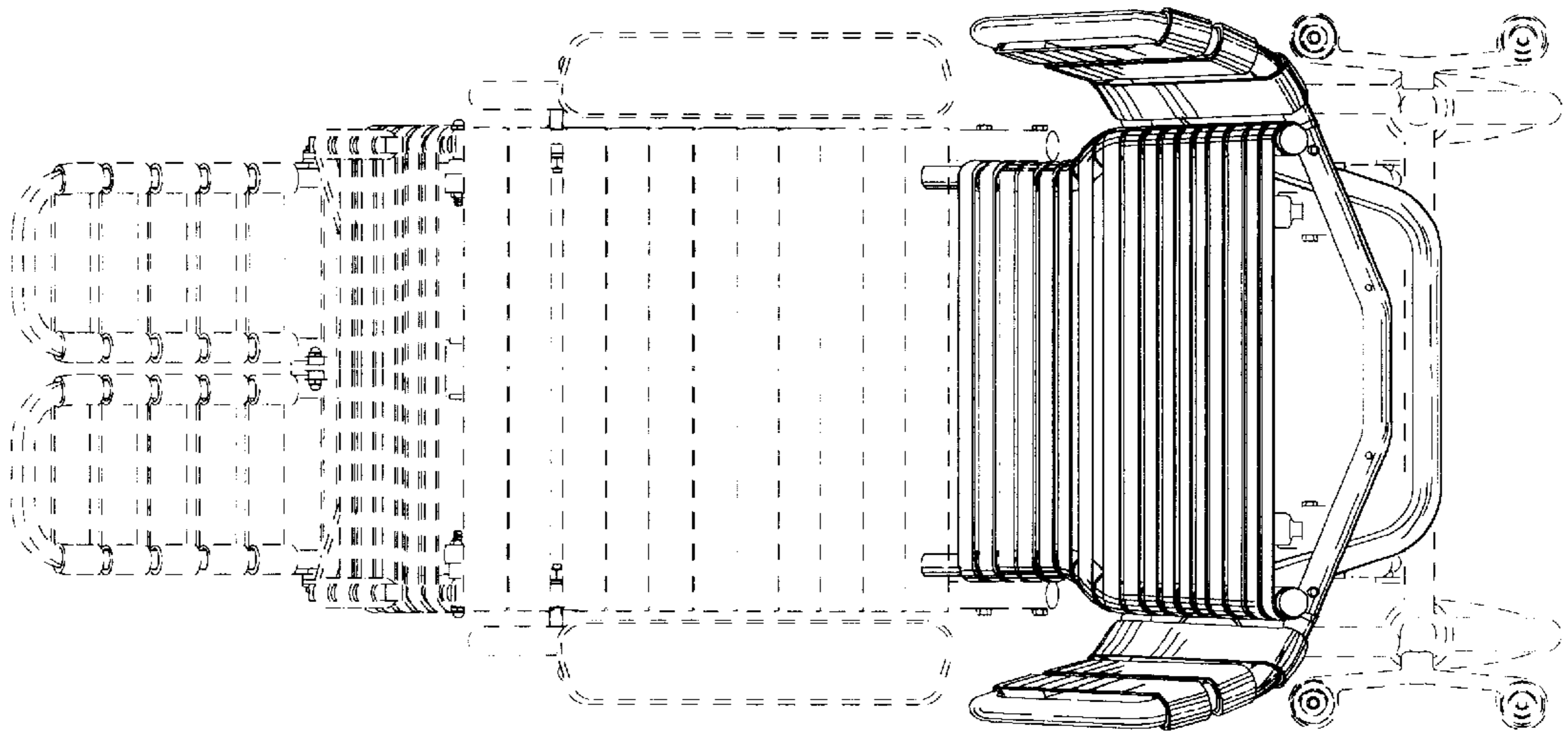


FIG. 2

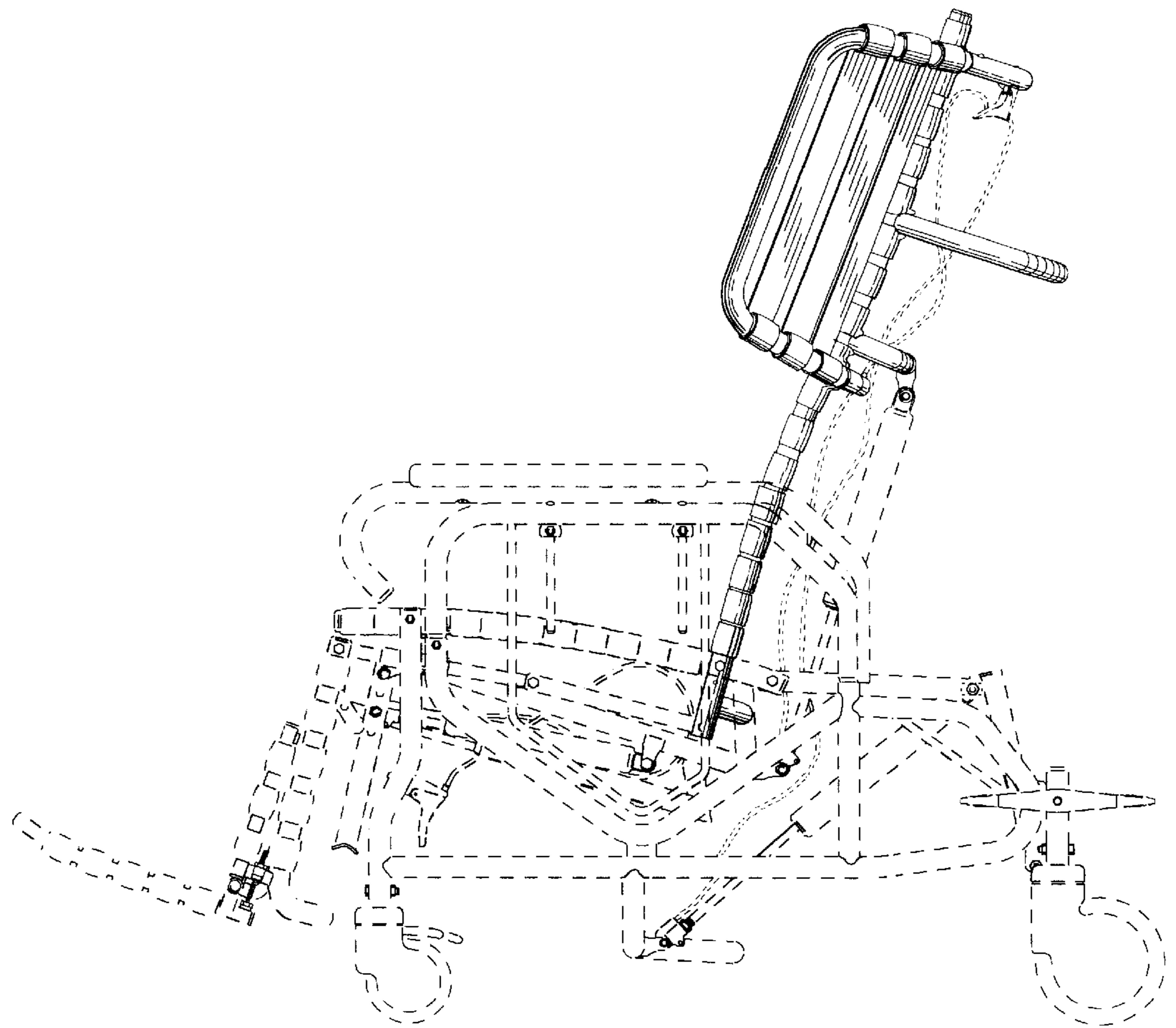


FIG. 3

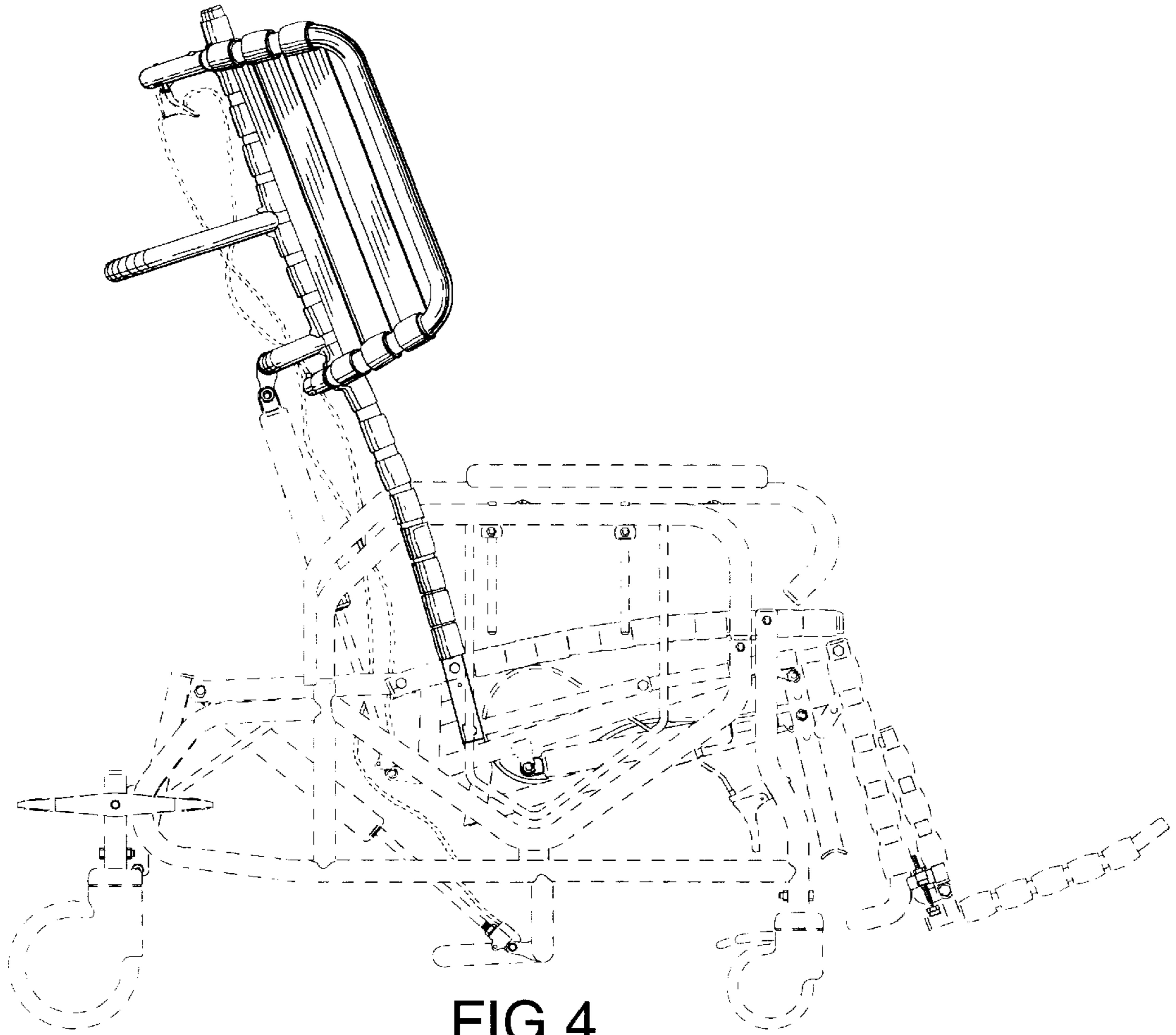


FIG.4

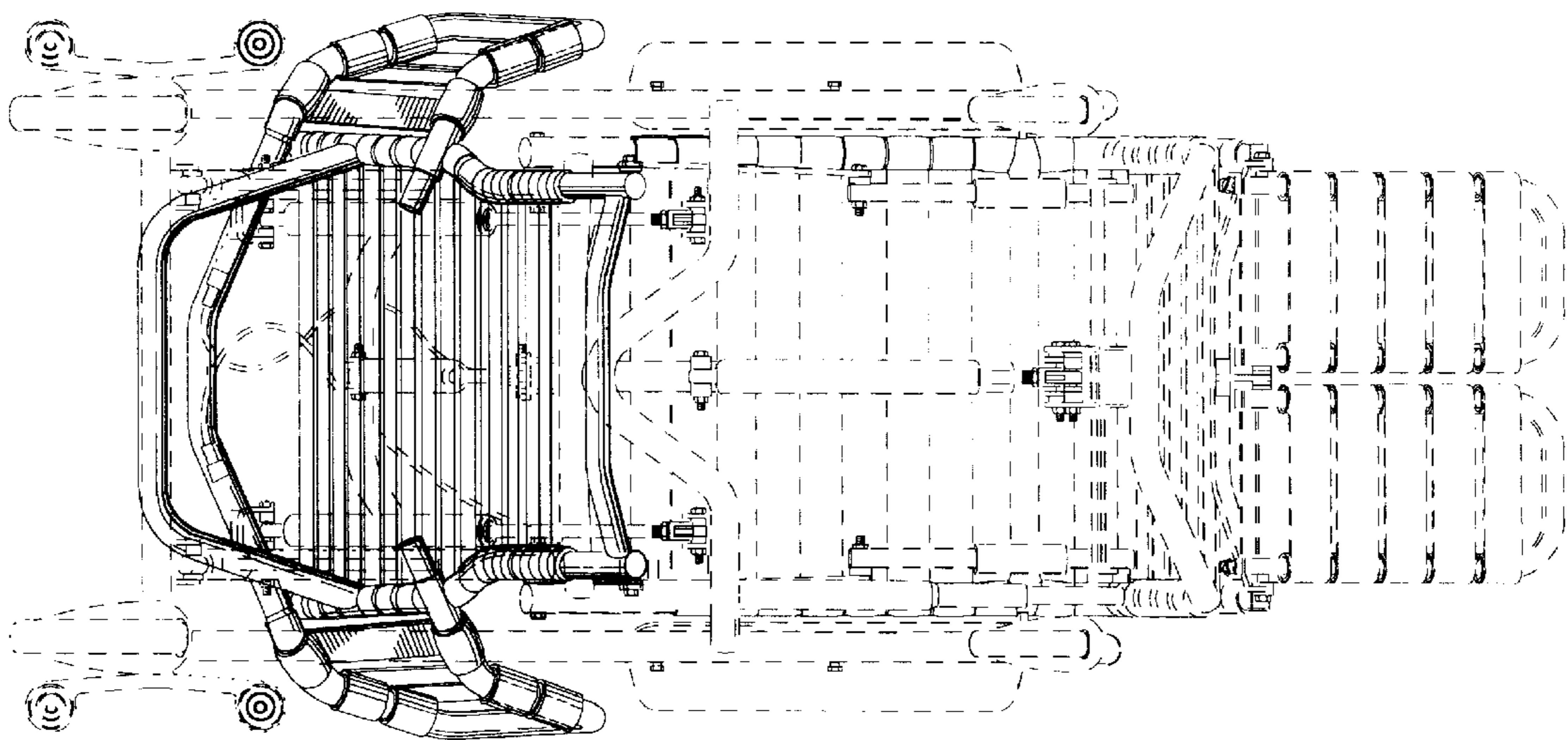


FIG.5

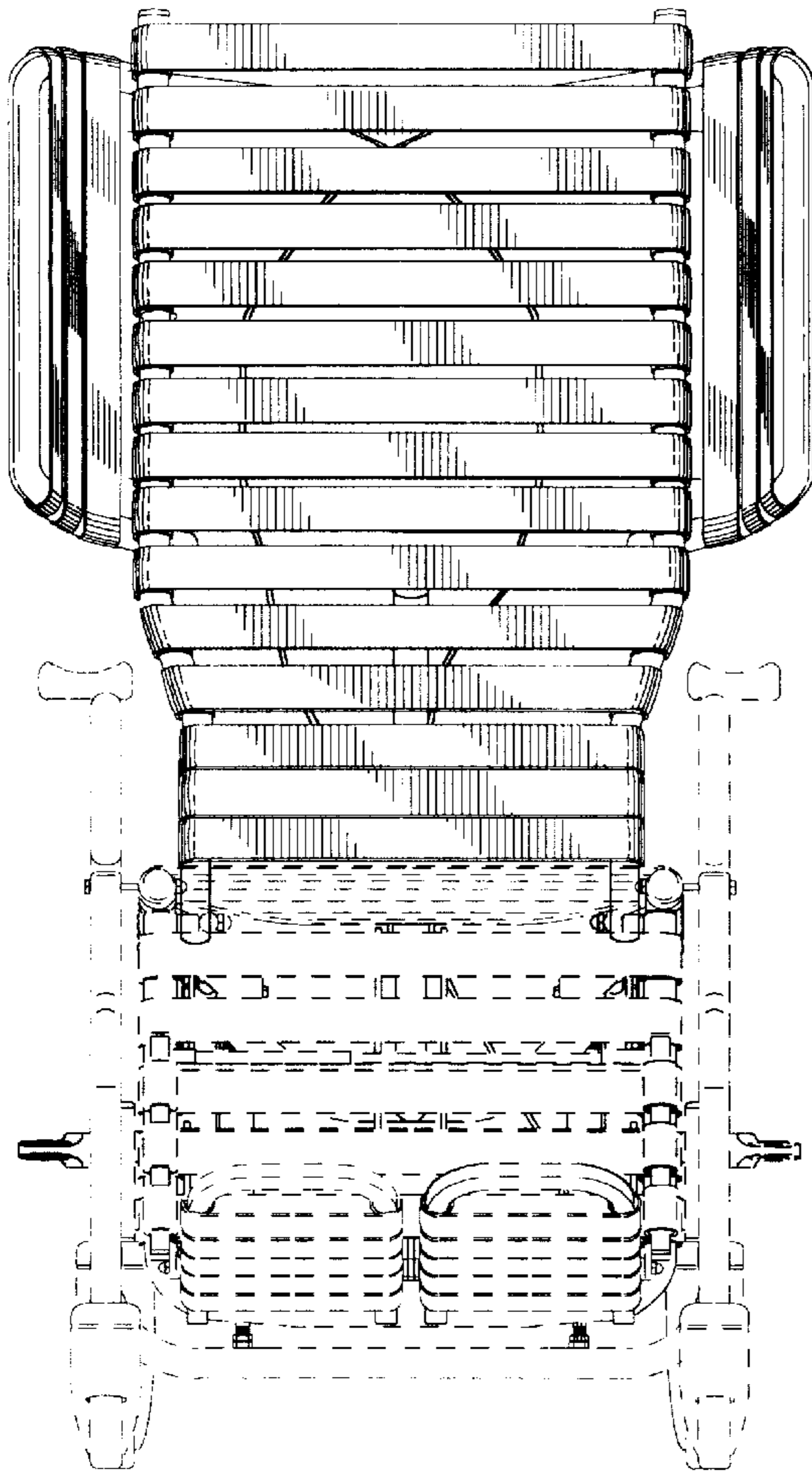


FIG. 7

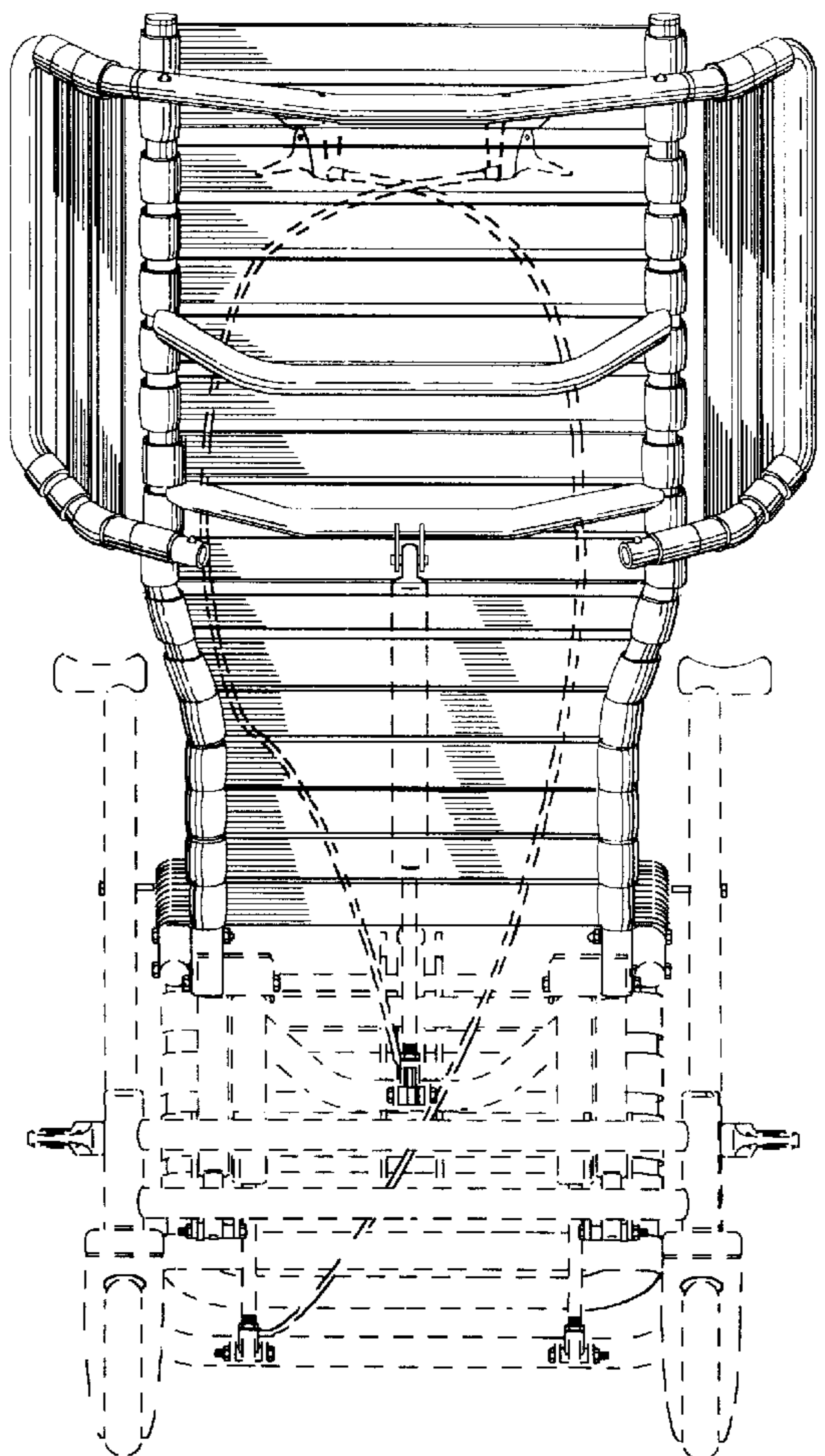


FIG. 6