



US00D413080S

United States Patent [19]
Girardin

[11] **Patent Number: Des. 413,080**

[45] **Date of Patent: ** Aug. 24, 1999**

[54] **SEAT BELT RETRACTOR**

3,311,409 3/1967 Fisher 297/475
3,659,801 5/1972 Romanzi, Jr. 242/379

[76] Inventor: **Jean Marc Girardin**, 16-100 Sheldon Drive, Cambridge, Ontario, Canada, N1R 7S7

Primary Examiner—Ralf Seifert
Attorney, Agent, or Firm—Richard J. Hicks

[**] Term: **14 Years**

[57] **CLAIM**

[21] Appl. No.: **29/098,341**

The ornamental design for a seat belt retractor, as shown.

[22] Filed: **Dec. 28, 1998**

DESCRIPTION

[51] **LOC (6) Cl.** **02-07**

FIG. 1 is a perspective view of the design;

[52] **U.S. Cl.** **D11/215**

FIG. 2 is a front view of the design of FIG. 1;

[58] **Field of Search** D11/200, 215;

FIG. 3 is a top plan view of the design of FIG. 1;

24/163 R, 193, 165; 242/379, 382.1, 379.1;

FIG. 4 is a bottom plan view of the design of FIG. 1;

297/482, 475, 478; 280/801.1; 248/221.2

FIG. 5 is a rear view of the design of FIG. 1; and,

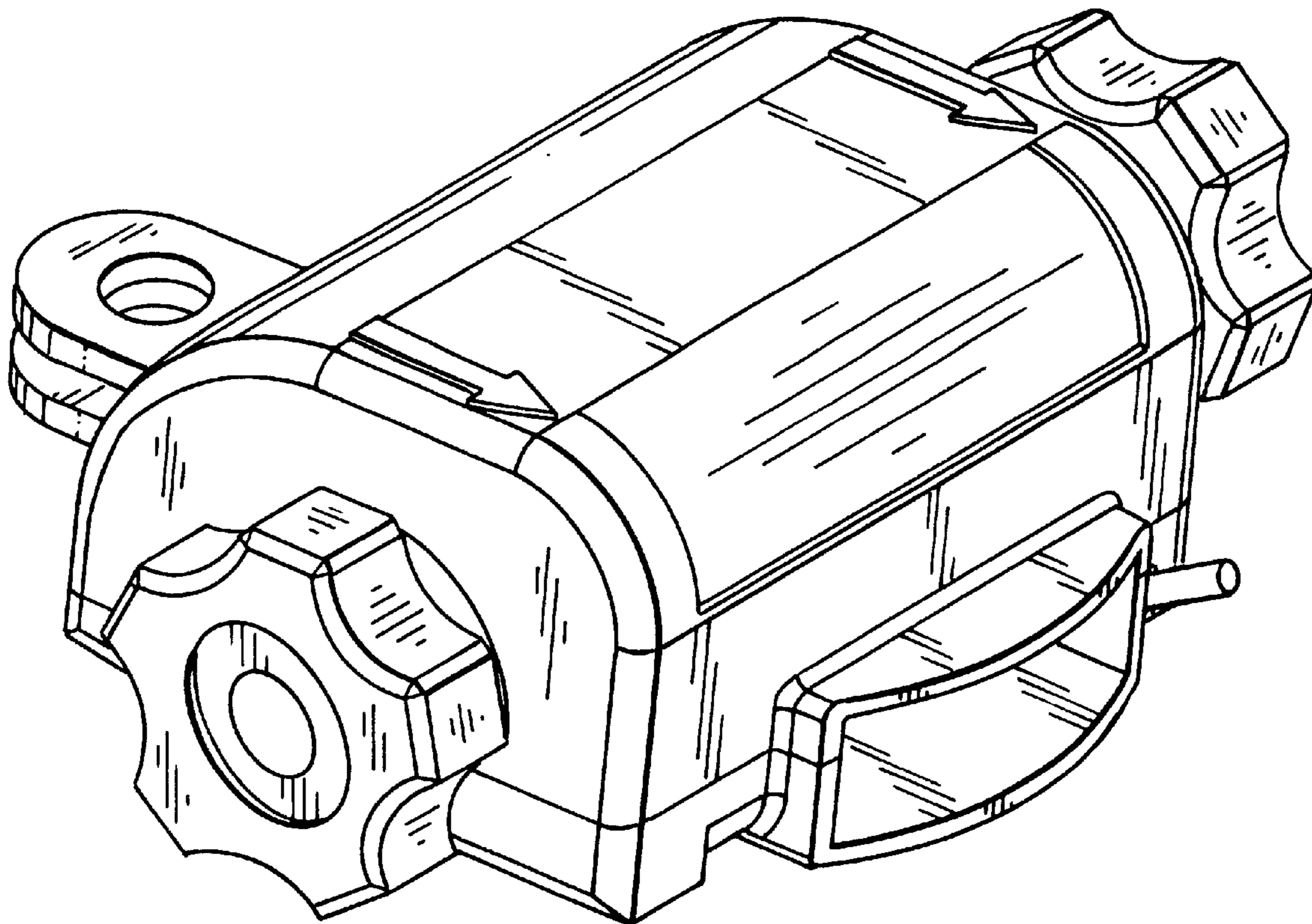
[56] **References Cited**

FIG. 6 is a side view of the design of FIG. 1.

U.S. PATENT DOCUMENTS

3,046,056 7/1962 Greene et al. 297/482

1 Claim, 4 Drawing Sheets



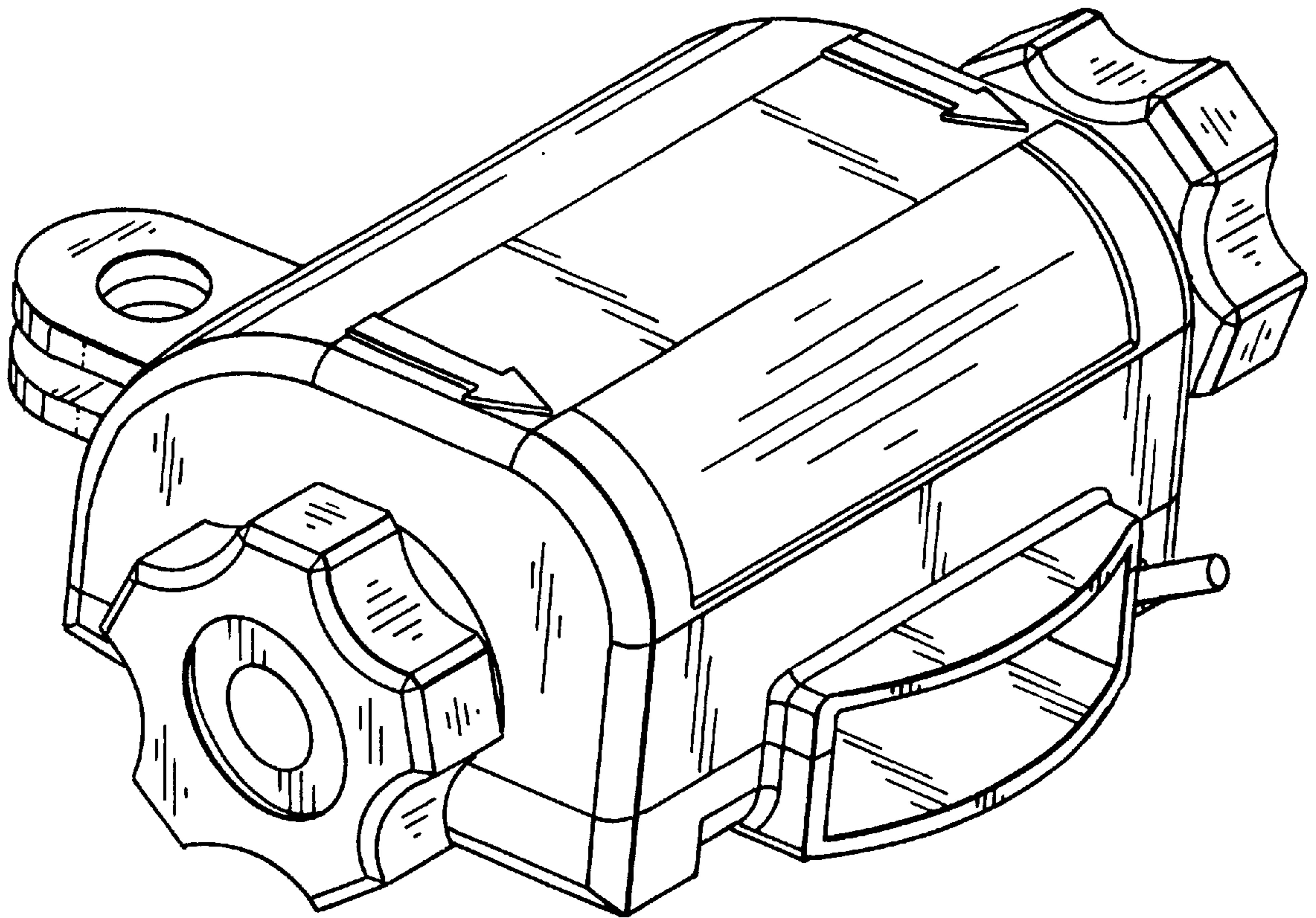


FIG. 1

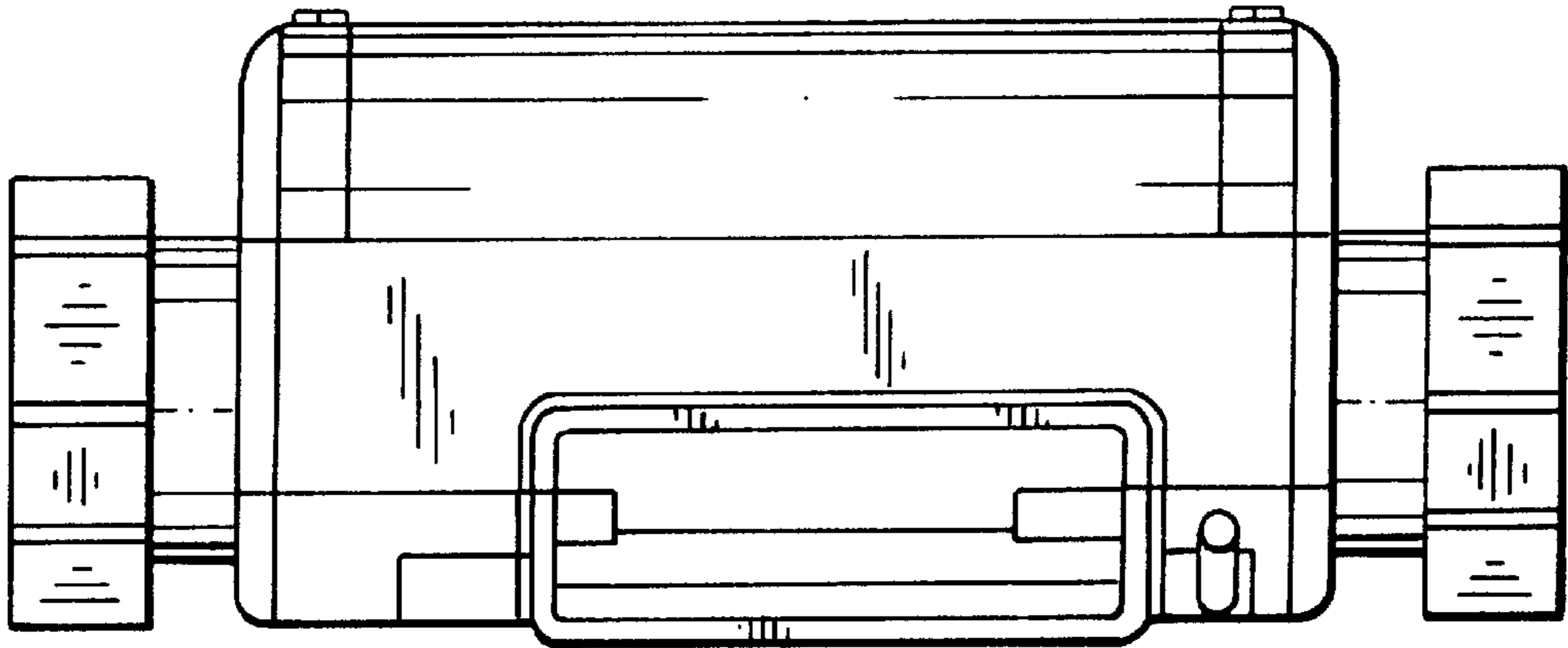


FIG. 2

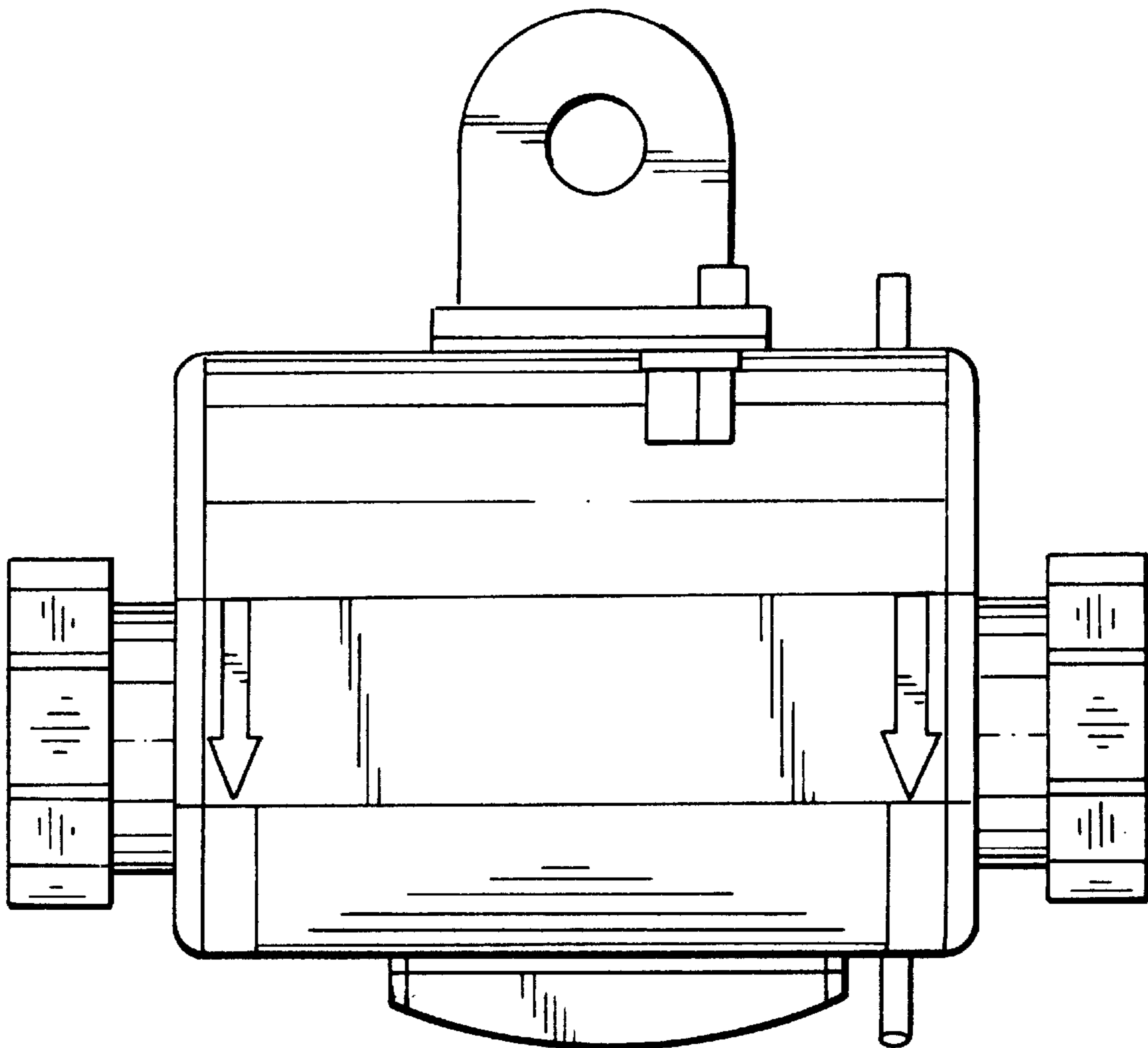


FIG. 3

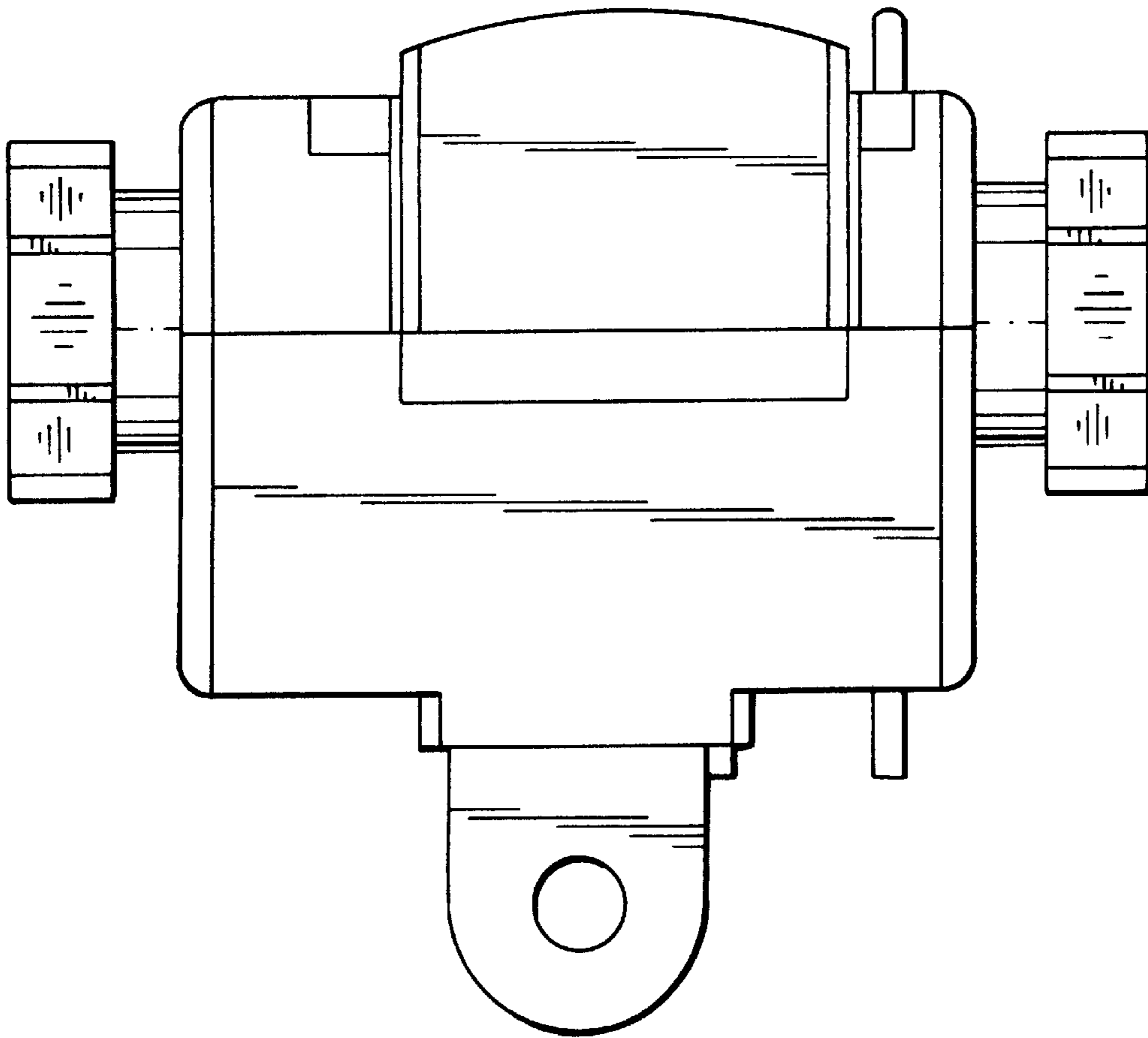


FIG. 4

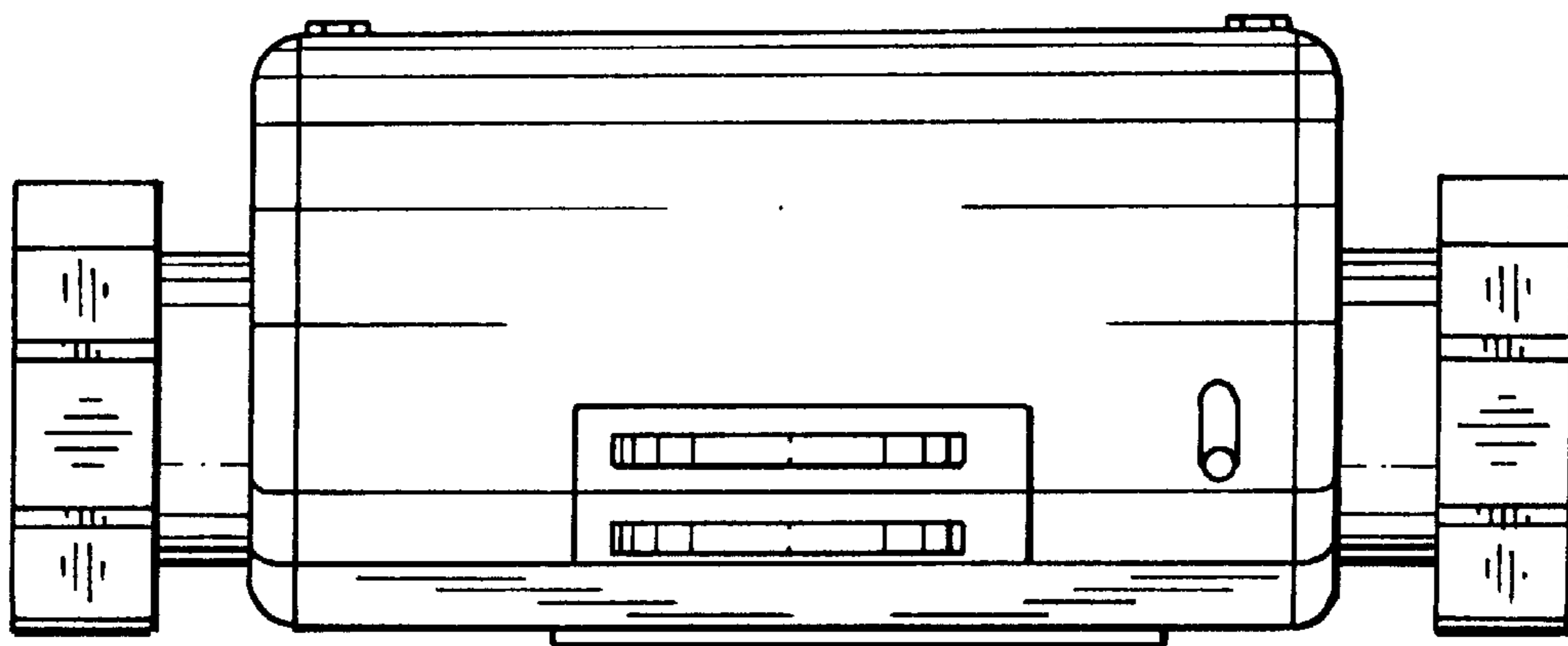


FIG. 5

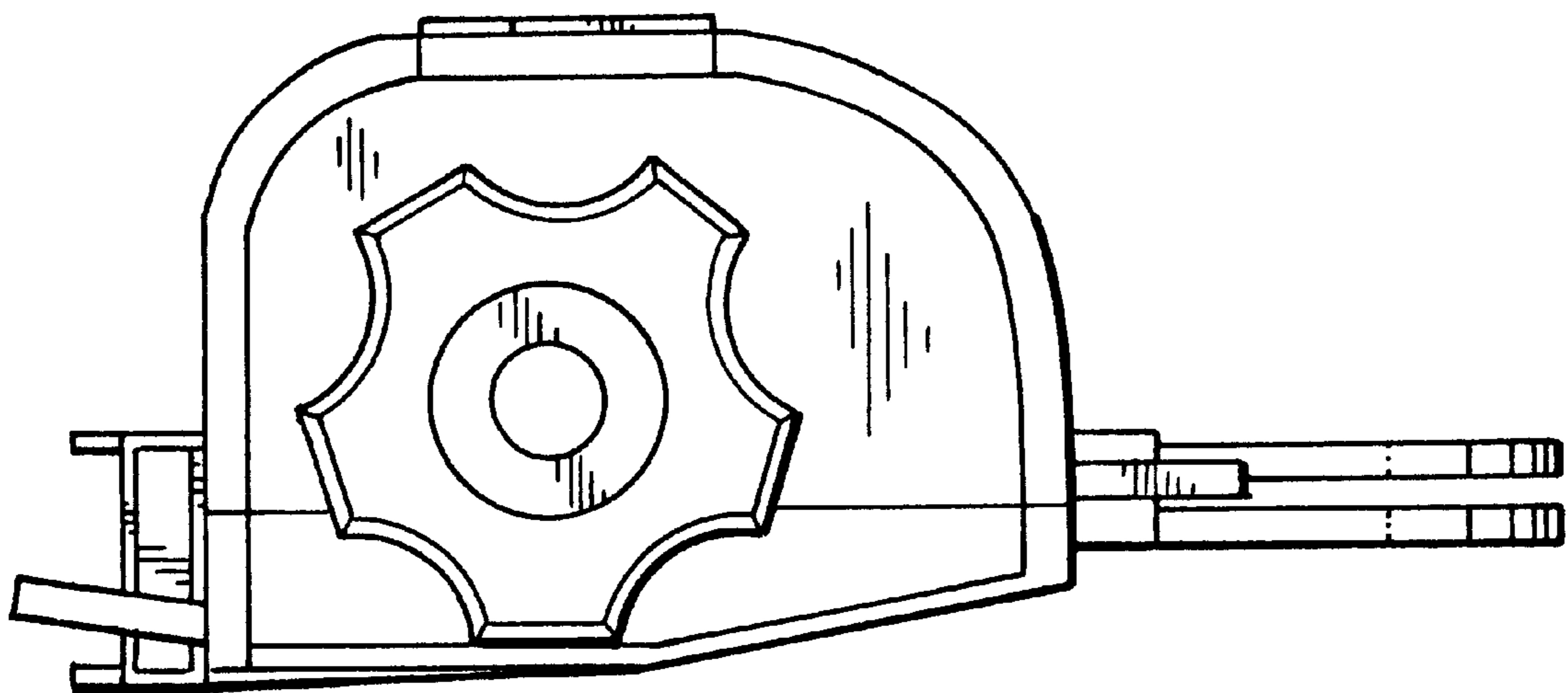


FIG. 6