



US00D413079S

United States Patent [19] Kobayashi

[11] Patent Number: **Des. 413,079**

[45] Date of Patent: **** Aug. 24, 1999**

[54] **SUSPENDER BUCKLE FOR CLOTHING**

2,037,558 4/1936 Anderson 24/196
2,480,722 8/1949 Erickson 24/320

[75] Inventor: **Tatsuya Kobayashi**, Kitakatsuragi-gun, Japan

Primary Examiner—Ralf Seifert
Attorney, Agent, or Firm—Merchant & Gould, P.C.

[73] Assignee: **Morito Co., Ltd.**, Osaka, Japan

[57] **CLAIM**

[**] Term: **14 Years**

The ornamental design for suspender buckle for clothing, as shown and described.

[21] Appl. No.: **29/097,338**

[22] Filed: **Dec. 2, 1998**

DESCRIPTION

[51] **LOC (6) Cl.** **03-01**

[52] **U.S. Cl.** **D11/212**

[58] **Field of Search** D11/200, 201,
D11/212, 215–217, 220; 2/328; 24/476,
478, 370, 163 R, 320, 328, 196

FIG. 1 is a front elevational view of a suspender buckle for clothing;
FIG. 2 is a plan view thereof;
FIG. 3 is a bottom view thereof;
FIG. 4 is a rear elevational view thereof;
FIG. 5 is a right side elevational view thereof;
FIG. 6 is a view thereof along line 6—6 in FIG. 1;
FIG. 7 is a view thereof along line 7—7 in FIG. 1; and,
FIG. 8 is a side view showing how the article is used.

[56] **References Cited**

U.S. PATENT DOCUMENTS

D. 306,272 2/1990 Kruger D11/212
1,868,672 7/1932 Salisbury 24/320

1 Claim, 5 Drawing Sheets

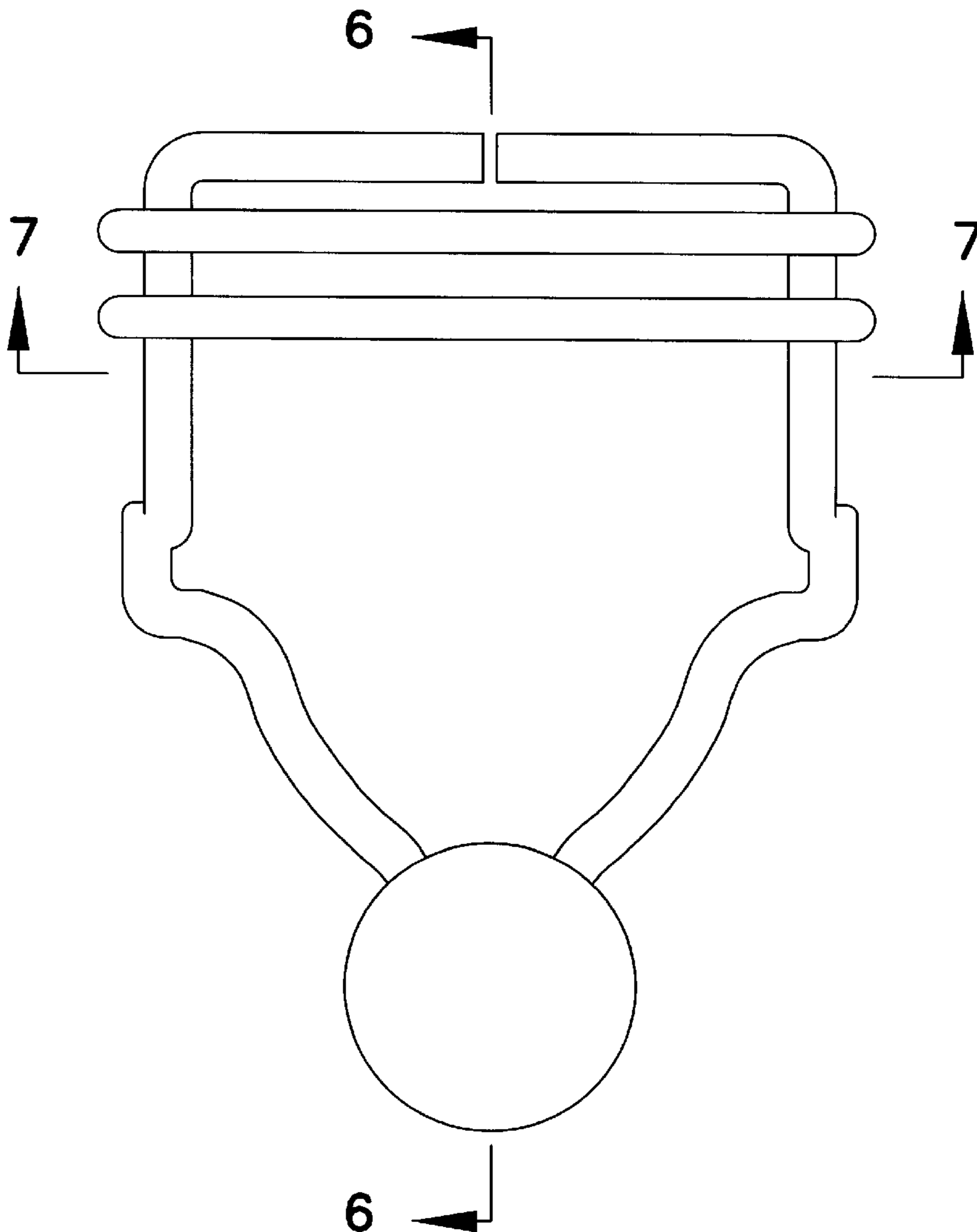


FIG. 1

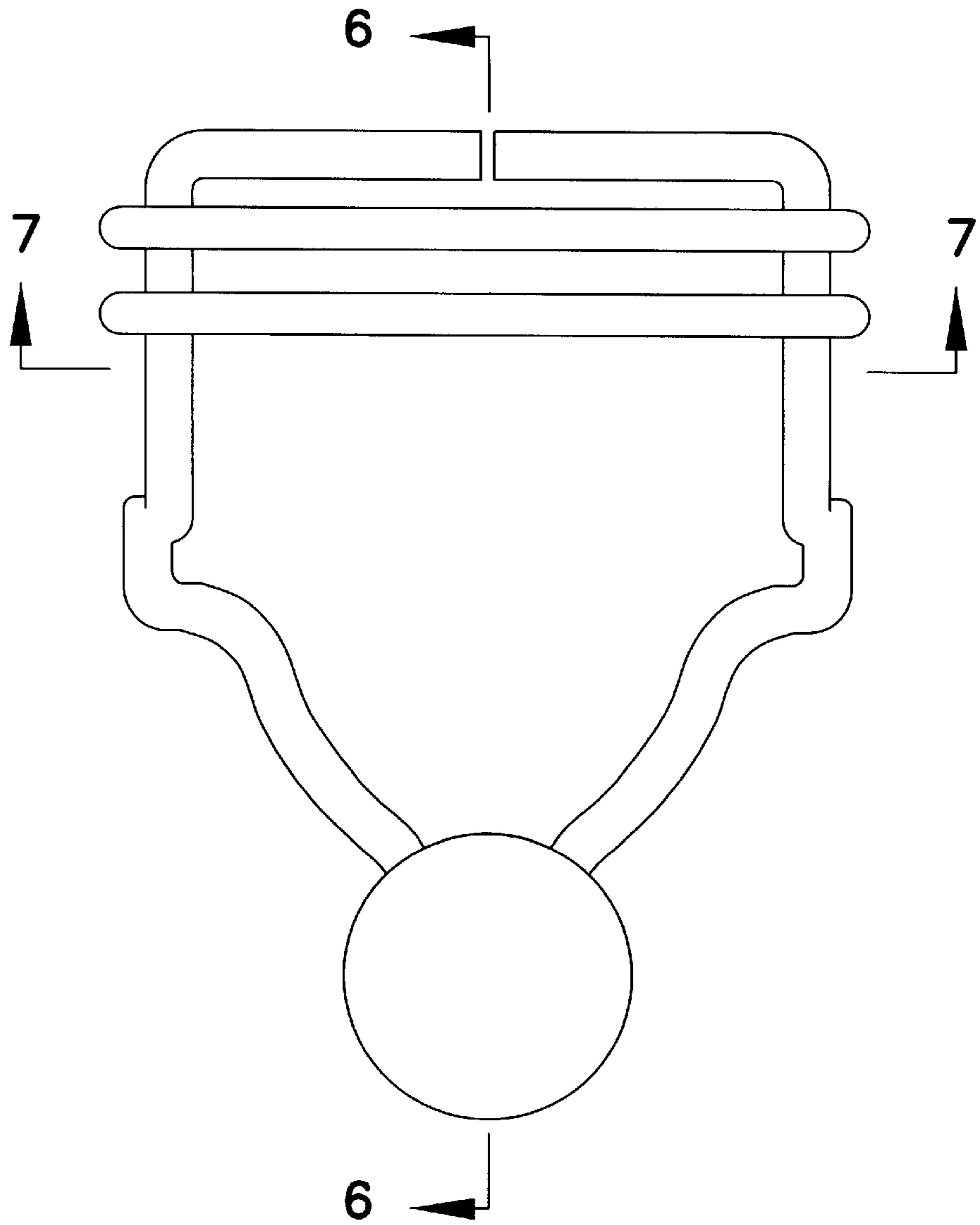


FIG. 2

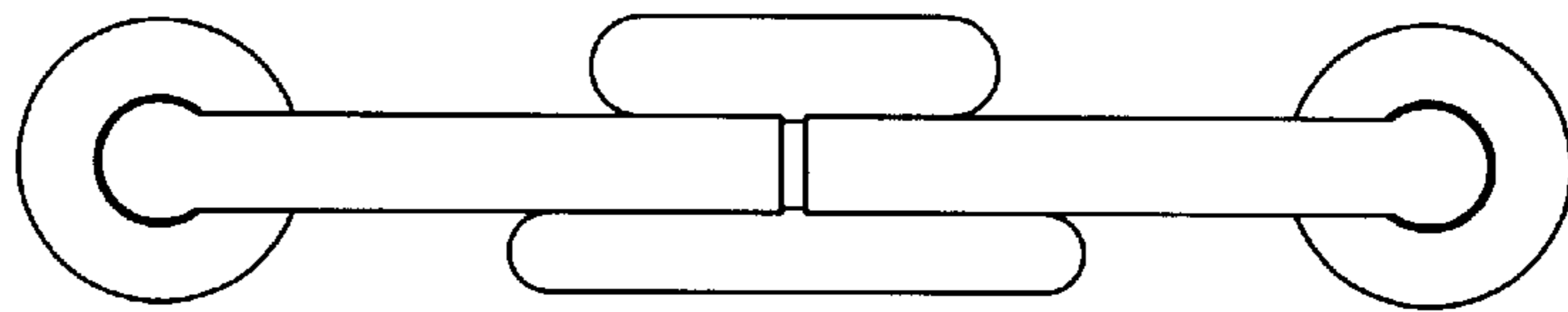


FIG. 3

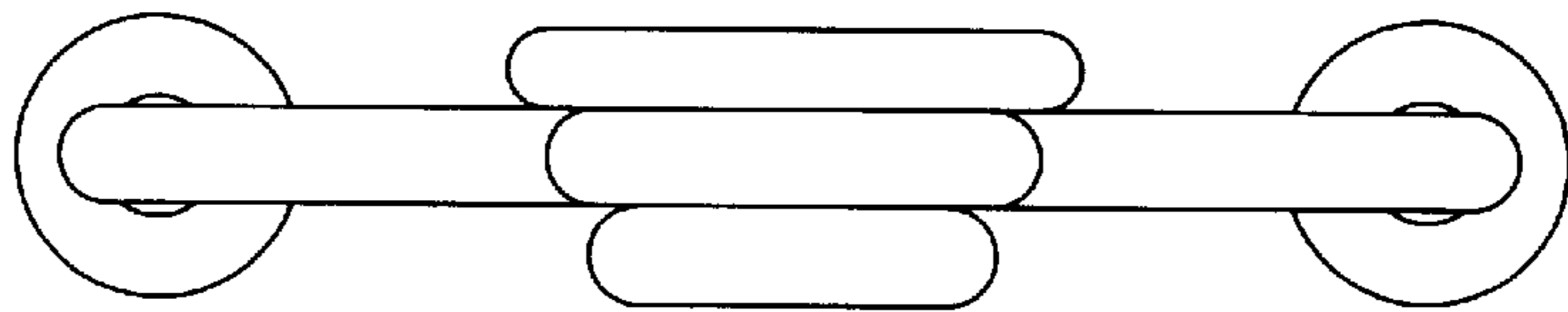


FIG. 4

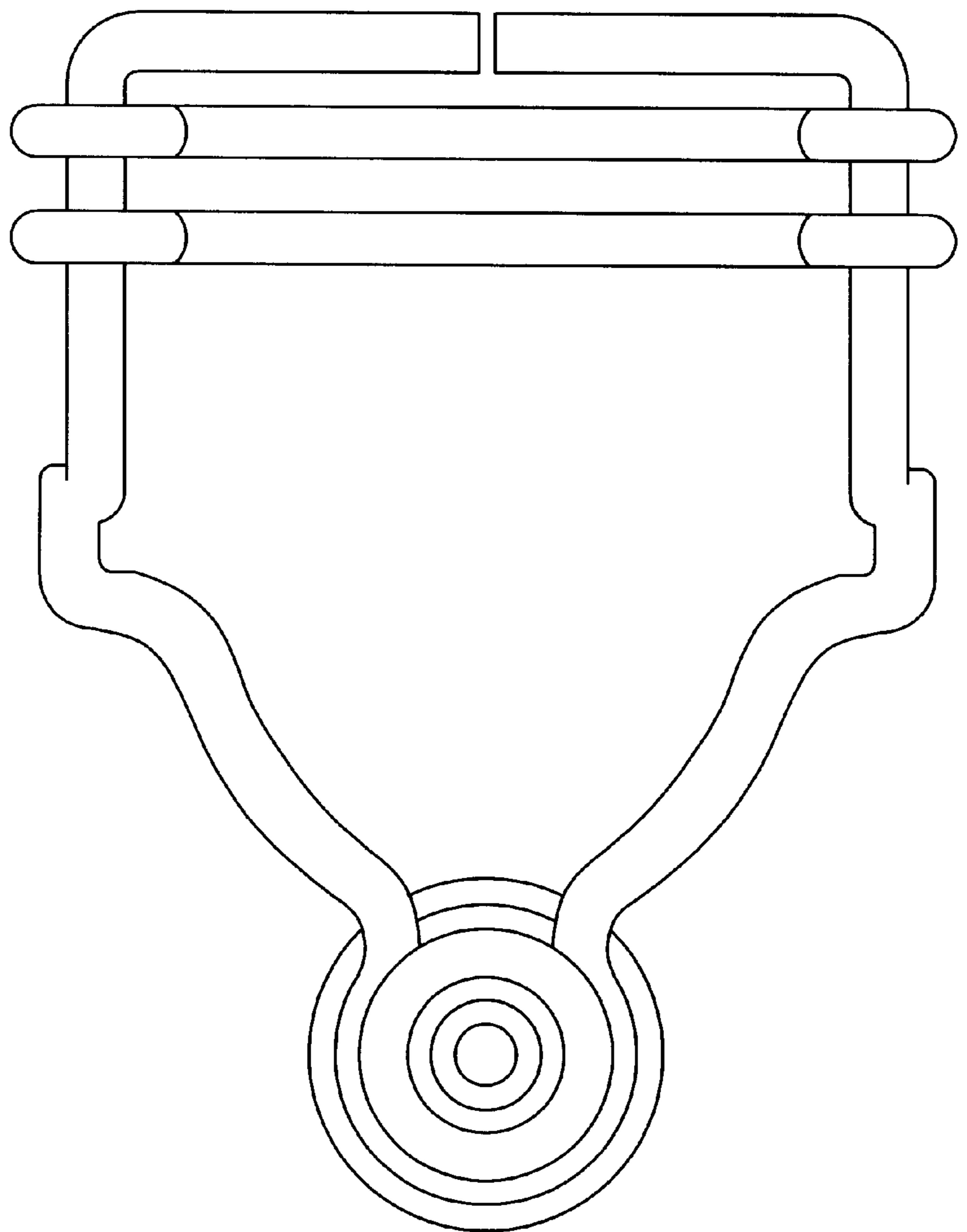


FIG. 5

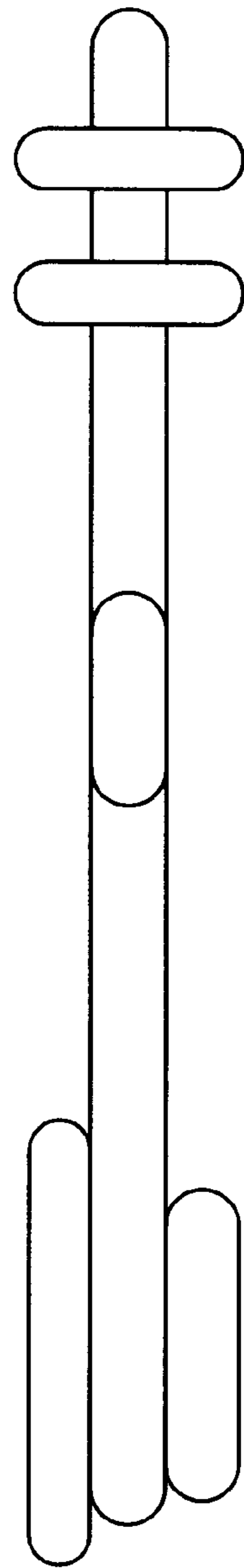


FIG. 6

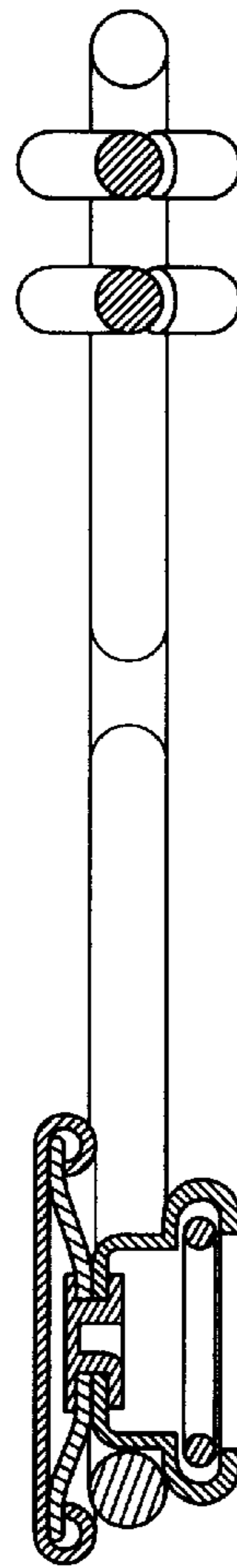


FIG. 7

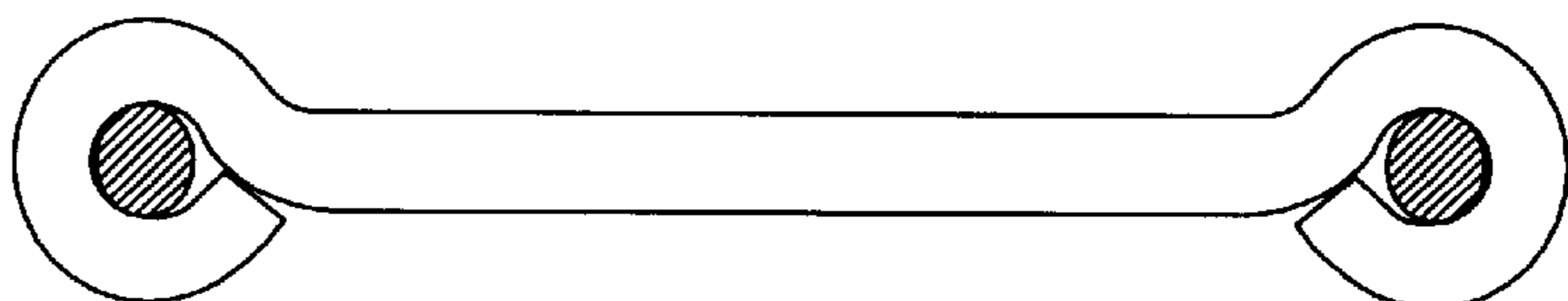


FIG. 8

