



US00D413075S

United States Patent [19] Leis

[11] Patent Number: **Des. 413,075**

[45] Date of Patent: **** Aug. 24, 1999**

[54] **LEAKAGE TESTING APPARATUS**

[76] Inventor: **Franz-Josef Leis**, Faaker Strasse 11,
D-65187 Wiesbaden, Germany

[**] Term: **14 Years**

[21] Appl. No.: **29/069,165**

[22] Filed: **Apr. 11, 1997**

[30] **Foreign Application Priority Data**

Oct. 14, 1996 [DE] Germany M 96 08 840

[51] **LOC (6) Cl.** **10-04**

[52] **U.S. Cl.** **D10/96**

[58] **Field of Search** D10/46, 96, 99,
D10/101; 73/40.5 R, 49.2, 292, 313

[56] **References Cited**

U.S. PATENT DOCUMENTS

D. 349,660 8/1994 Chaplin et al. D10/96

D. 371,751 7/1996 McRae D10/96

Primary Examiner—Antoine Duval Davis
Attorney, Agent, or Firm—Reising, Ethington, Barnes,
Kisselle, Learman & McCulloch P.C.

[57] **CLAIM**

The ornamental design for a leakage testing apparatus, as shown.

DESCRIPTION

FIG. 1 is a front perspective view of a leak testing apparatus in accordance with the present invention; FIG. 2 is a top plan view of the leak testing apparatus in FIG. 1, the bottom being plain and unadorned; FIG. 3 is a front elevational view of the leak testing apparatus in FIGS. 1 and 2; FIG. 4 is a right side elevational view of the leak testing apparatus of FIGS. 1-3; FIG. 5 is a rear elevational view of the leak testing apparatus of FIGS. 1-4; and, FIG. 6 is a left side elevational view of the leak testing apparatus of FIGS. 1-5.

1 Claim, 3 Drawing Sheets

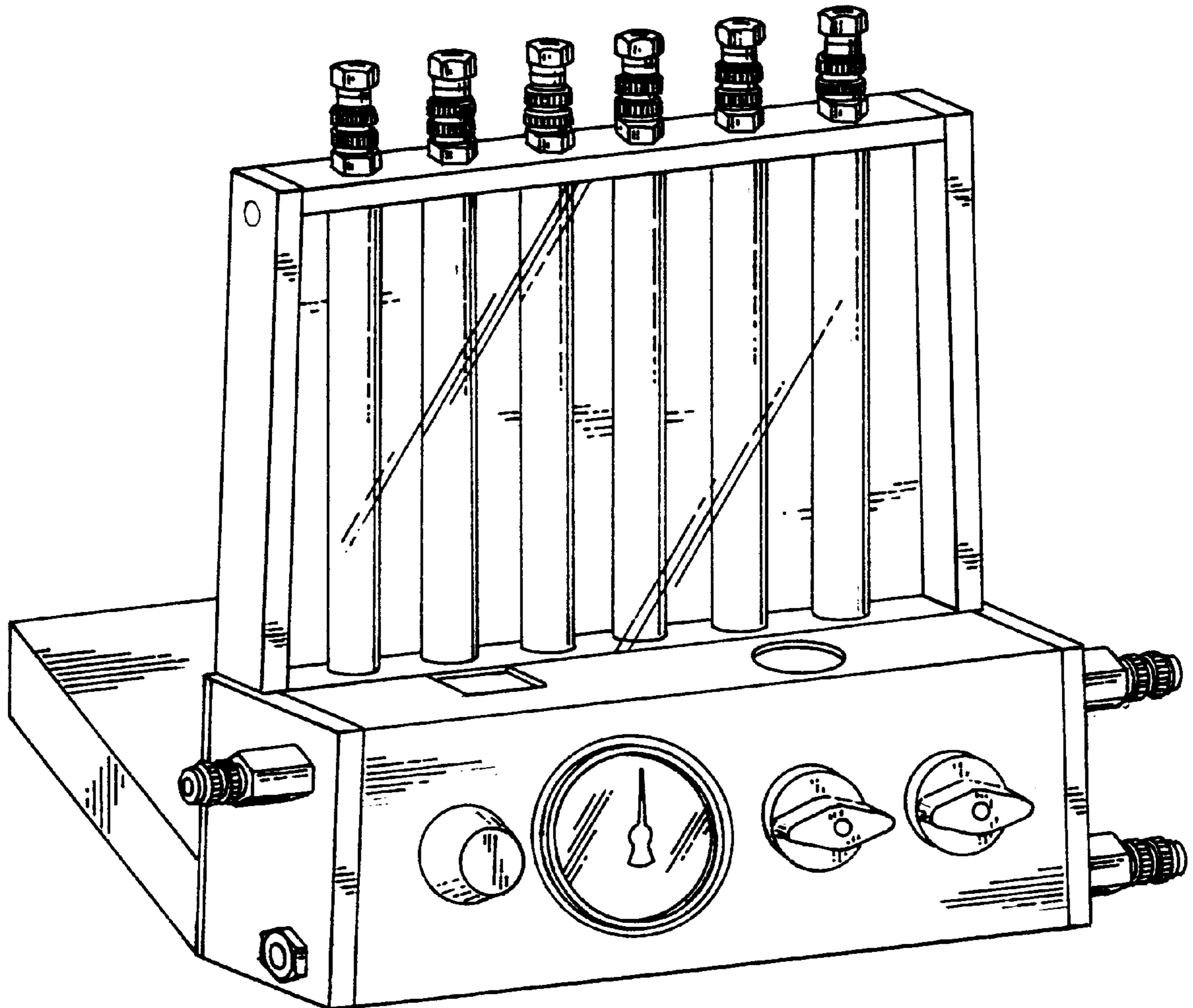


FIG. 1

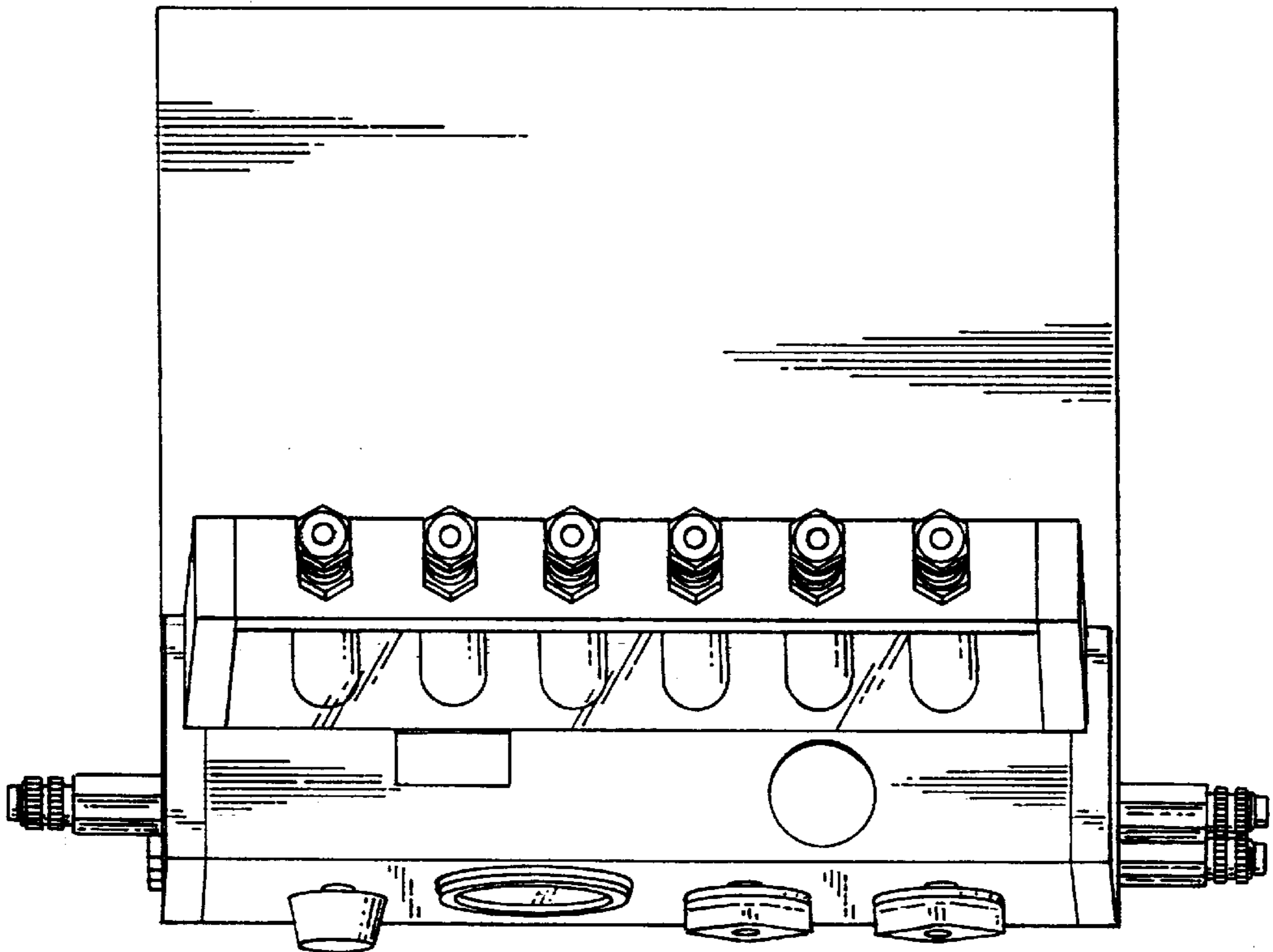
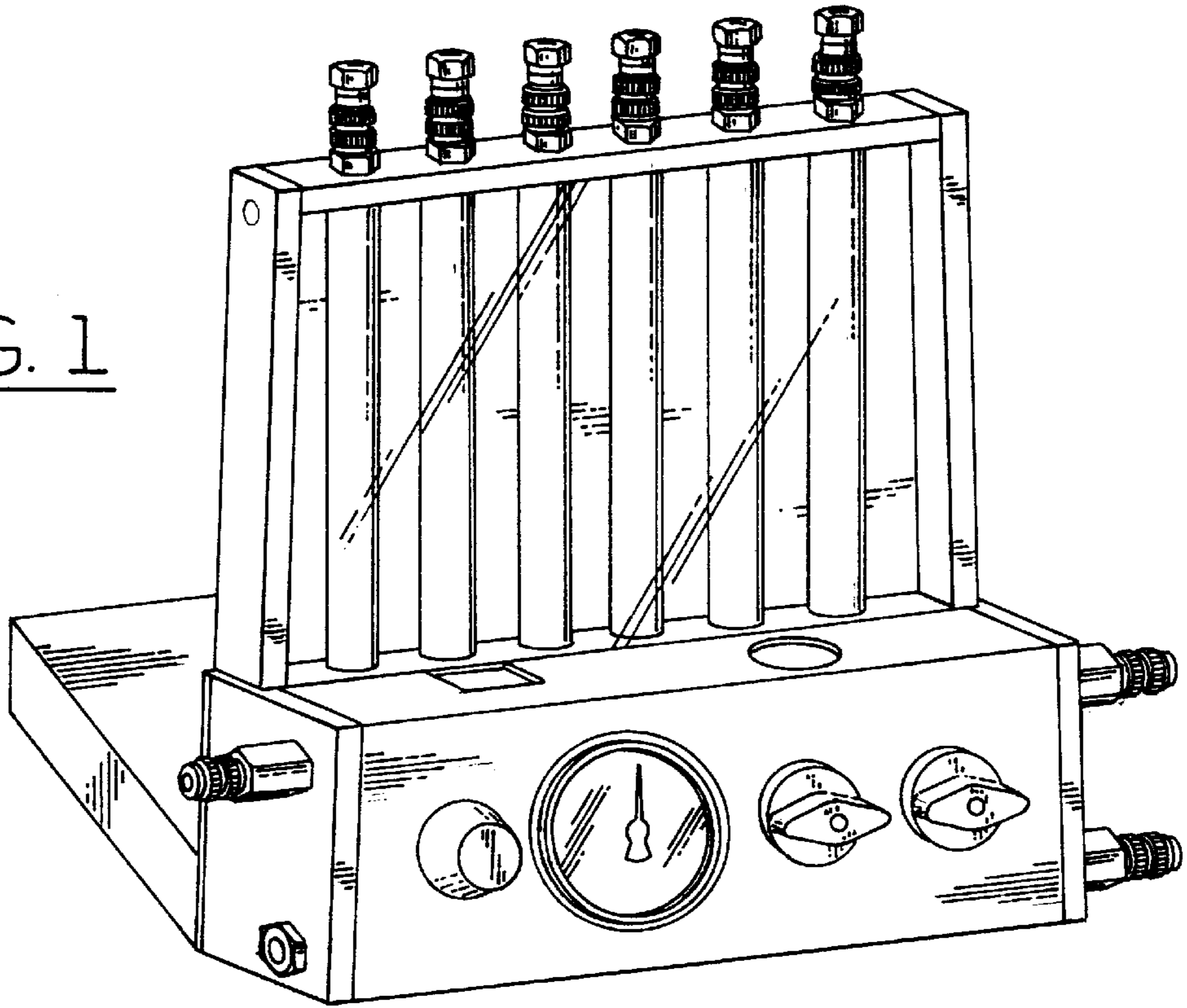


FIG. 2

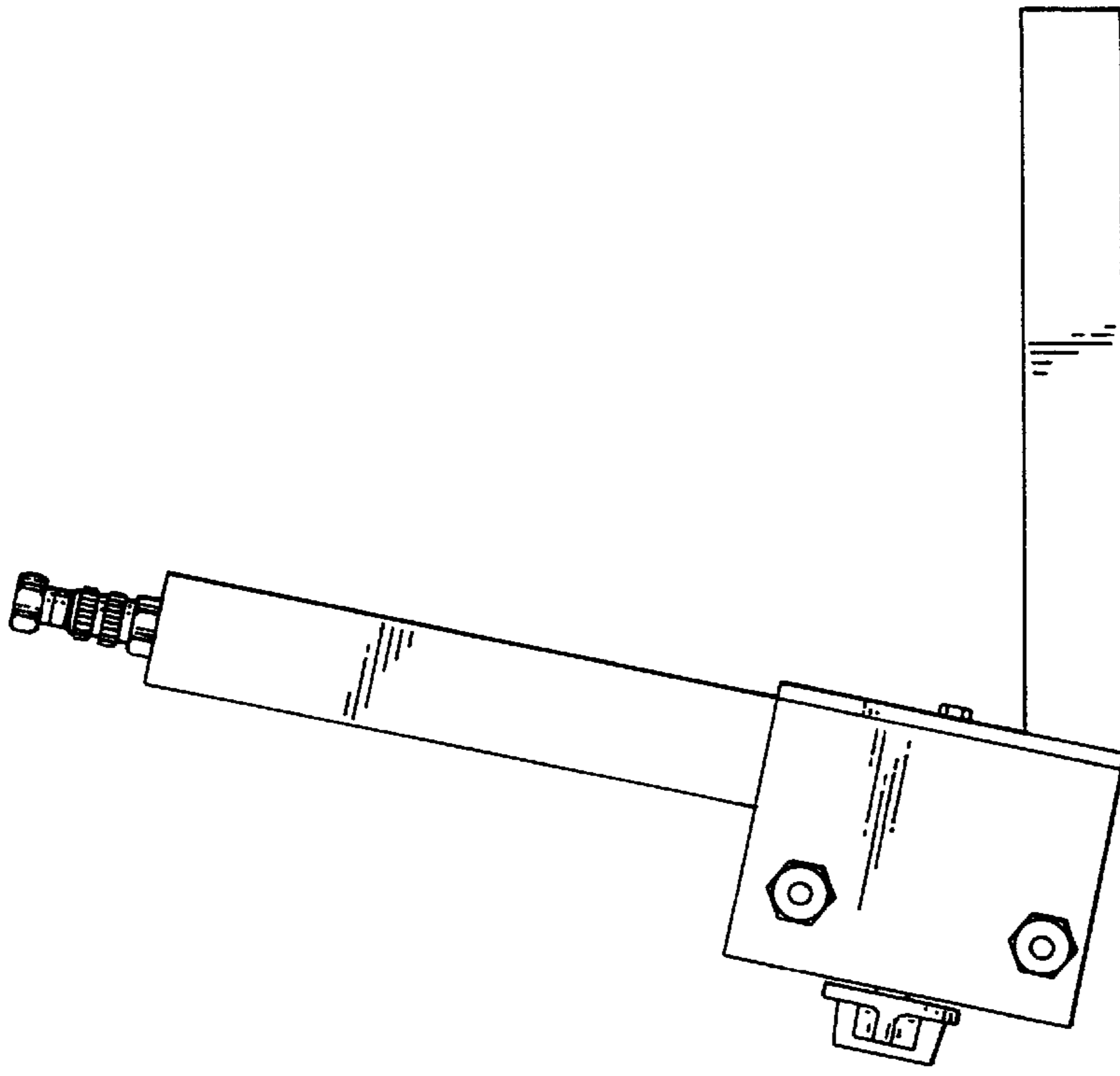


FIG. 4

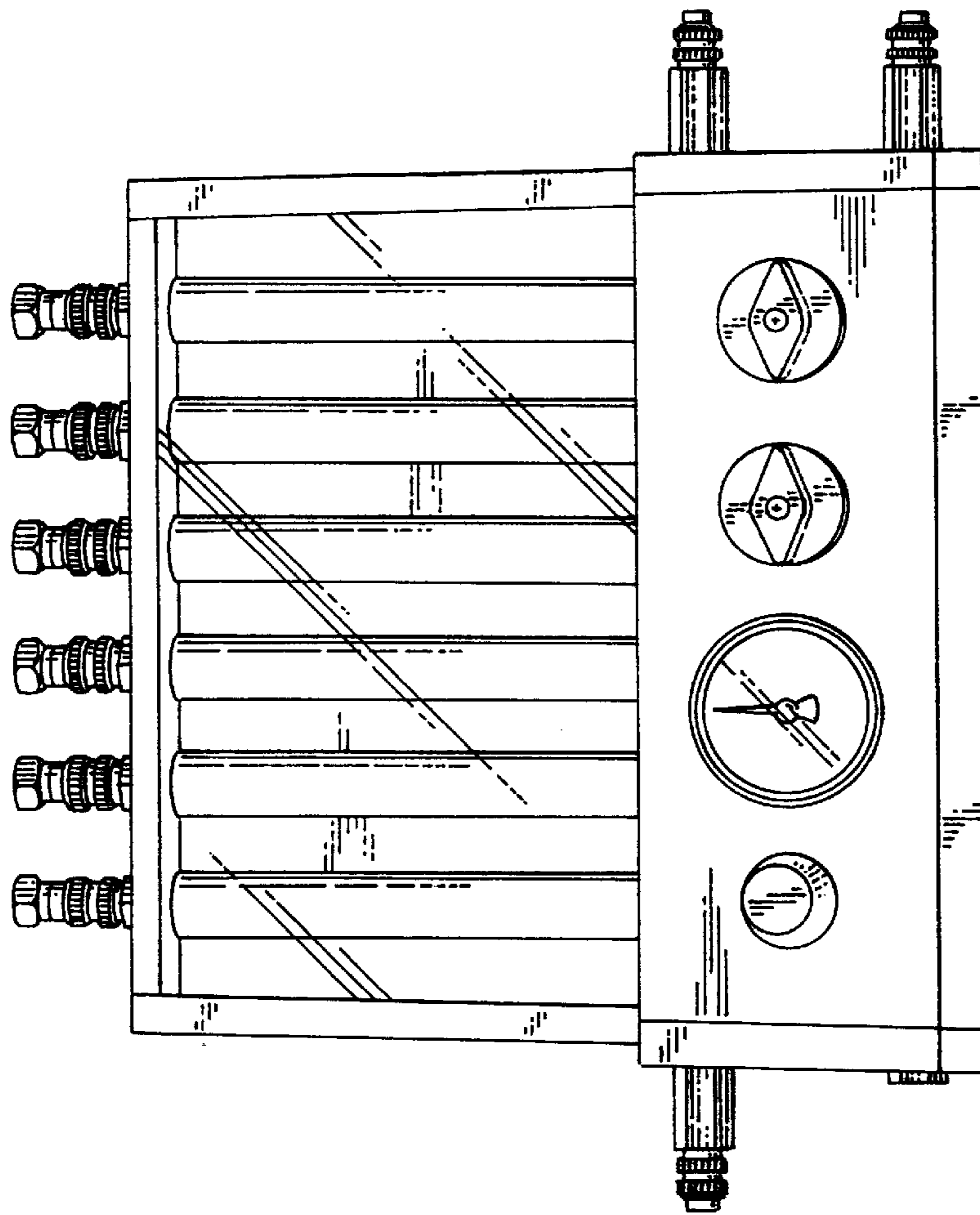


FIG. 3

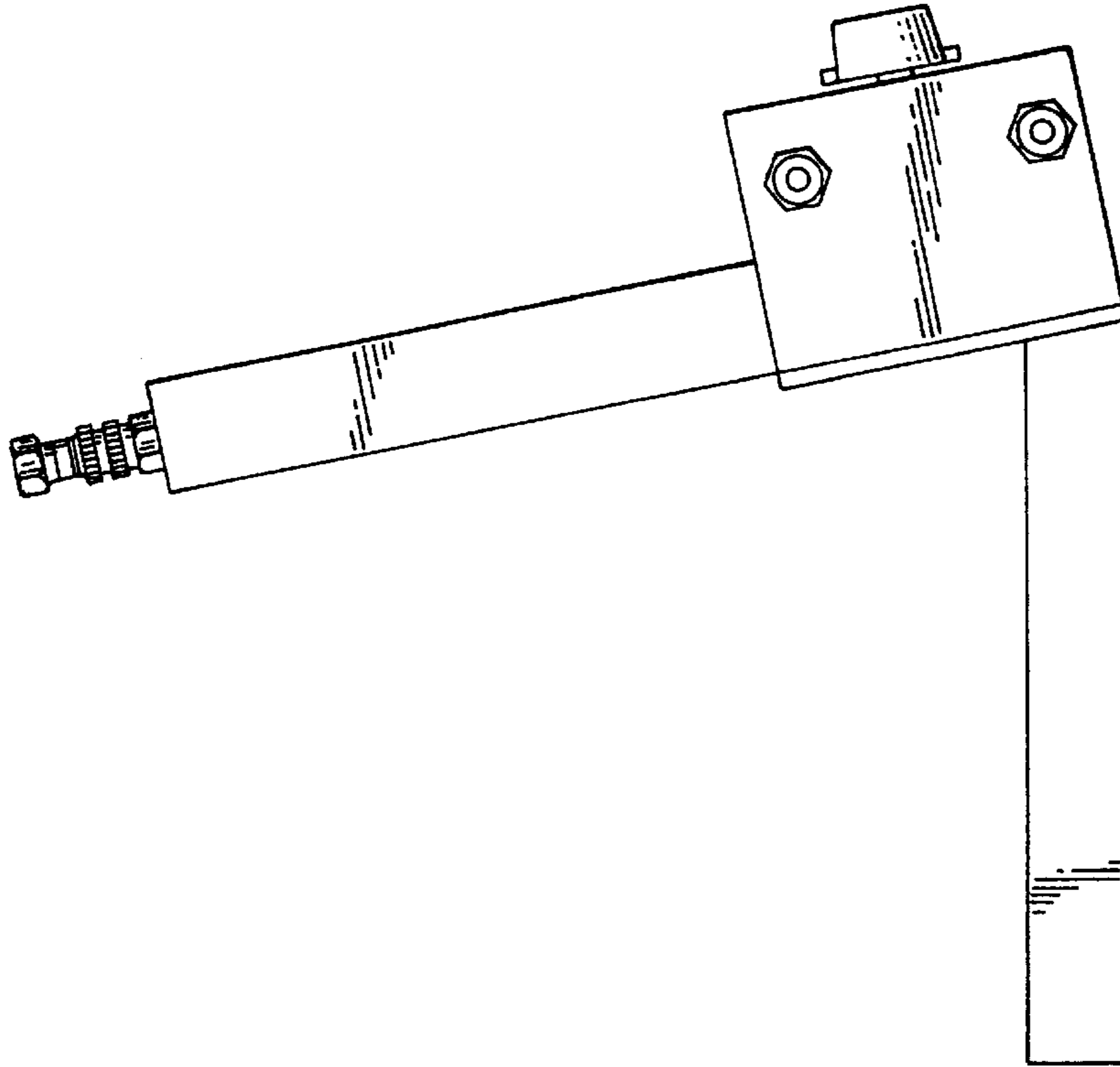


FIG. 6

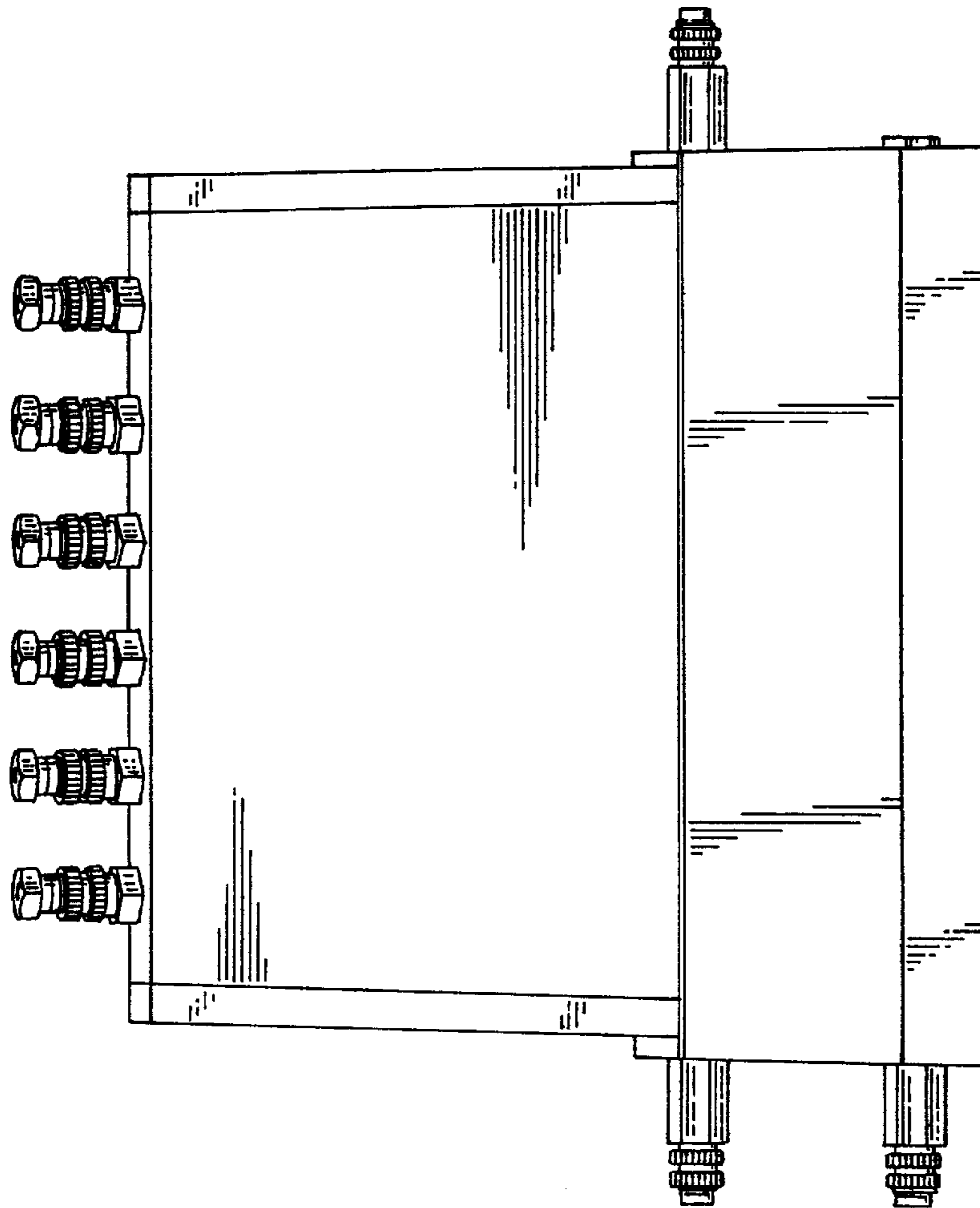


FIG. 5