



US00D413073S

United States Patent [19]
Brechbill et al.

[11] **Patent Number: Des. 413,073**

[45] **Date of Patent: ** Aug. 24, 1999**

[54] **THERMOSTAT**

D. 403,972 1/1999 Gaskell et al. D10/50

[75] Inventors: **Dana L. Brechbill; Thomas C. Baker,**
both of Fort Wayne, Ind.

Primary Examiner—Antoine Duval Davis

[73] Assignee: **Carrier Corporation,** Syracuse, N.Y.

[57] **CLAIM**

[**] Term: **14 Years**

The ornamental design for a thermostat, as shown and described.

[21] Appl. No.: **29/097,732**

DESCRIPTION

[22] Filed: **Dec. 11, 1998**

FIG. 1 is a perspective view illustrating the front, right side and bottom of the thermostat;

[51] **LOC (6) Cl.** **10-04**

[52] **U.S. Cl.** **D10/50**

FIG. 2 is a top view of the thermostat;

[58] **Field of Search** D10/49, 50; 200/343;
236/46 R, 47, 49.3, 51, 84, 94; 361/680,
681; 400/495

FIG. 3 is a front view of the thermostat;

FIG. 4 is a left side view of the thermostat;

FIG. 5 is a right side view of the thermostat; and,

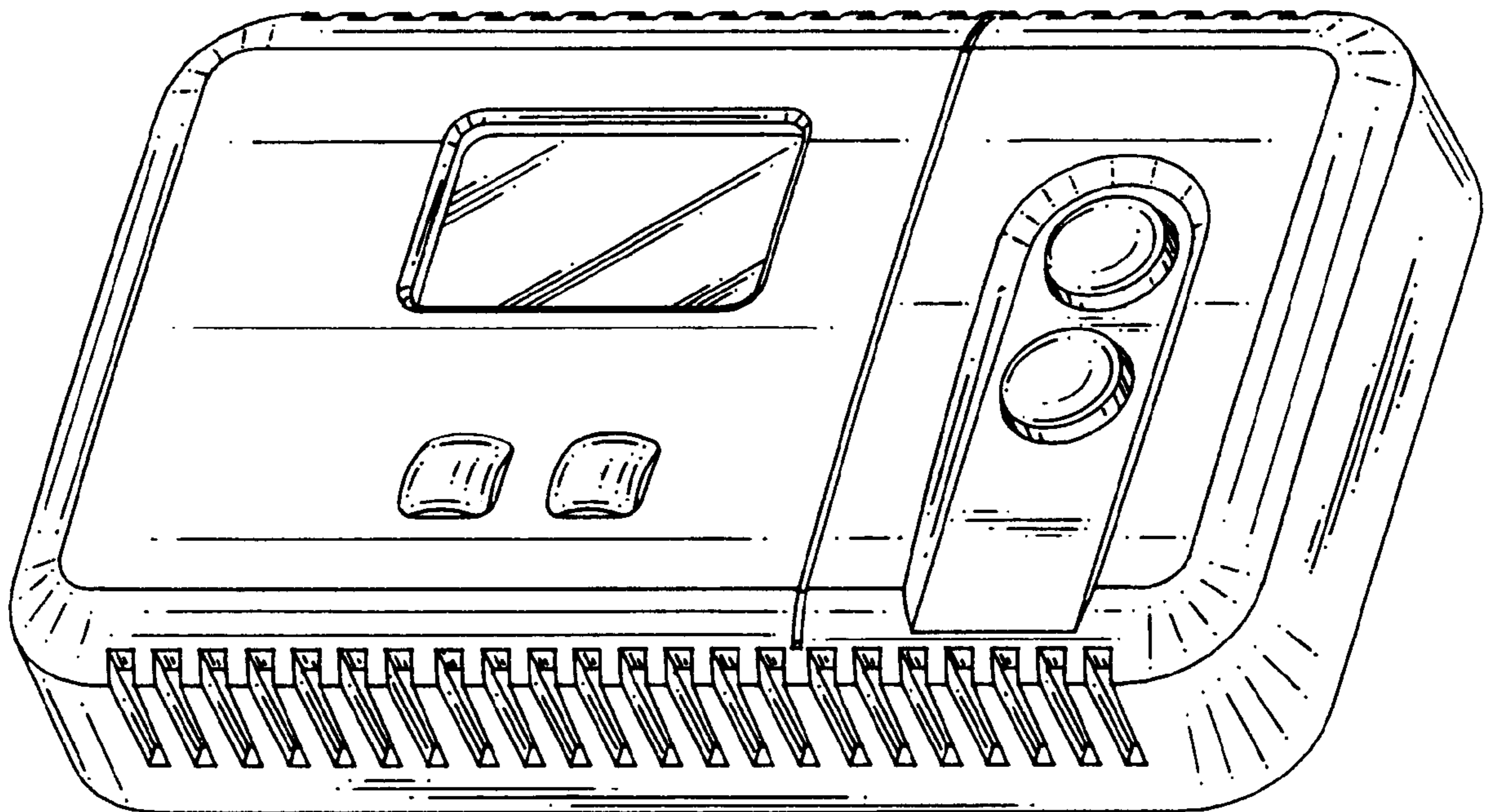
FIG. 6 is a bottom view of the thermostat.

[56] **References Cited**

U.S. PATENT DOCUMENTS

D. 364,103 11/1995 Stievenart et al. D10/50

1 Claim, 2 Drawing Sheets



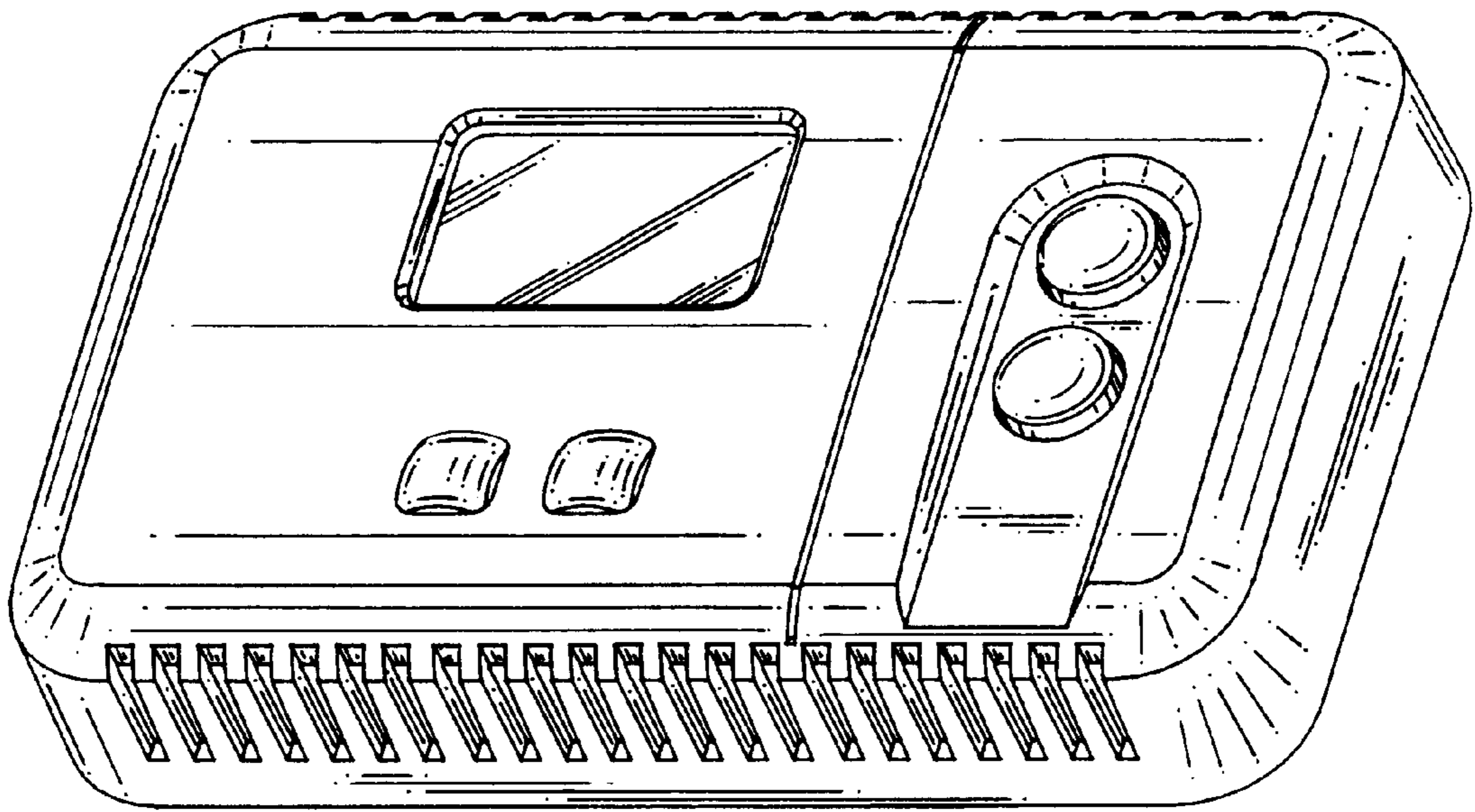


FIG. 1

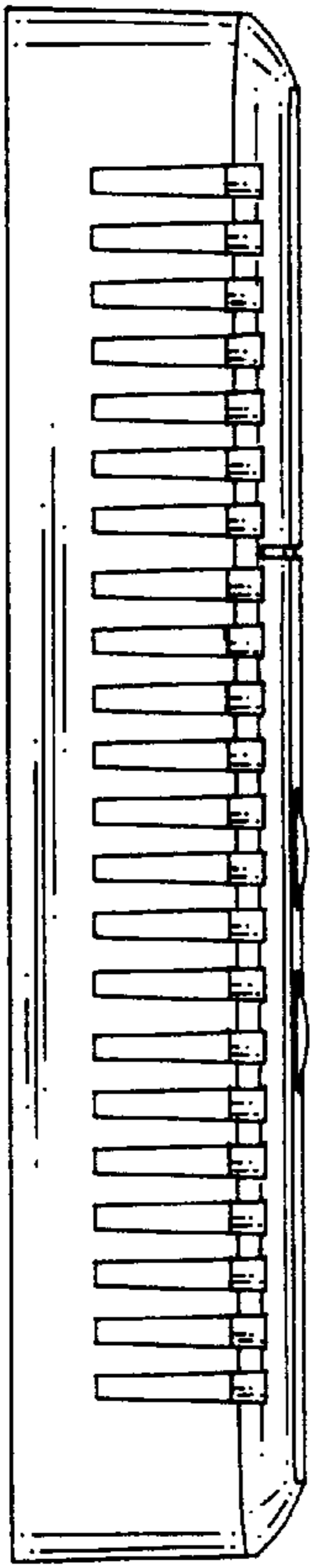


FIG. 2

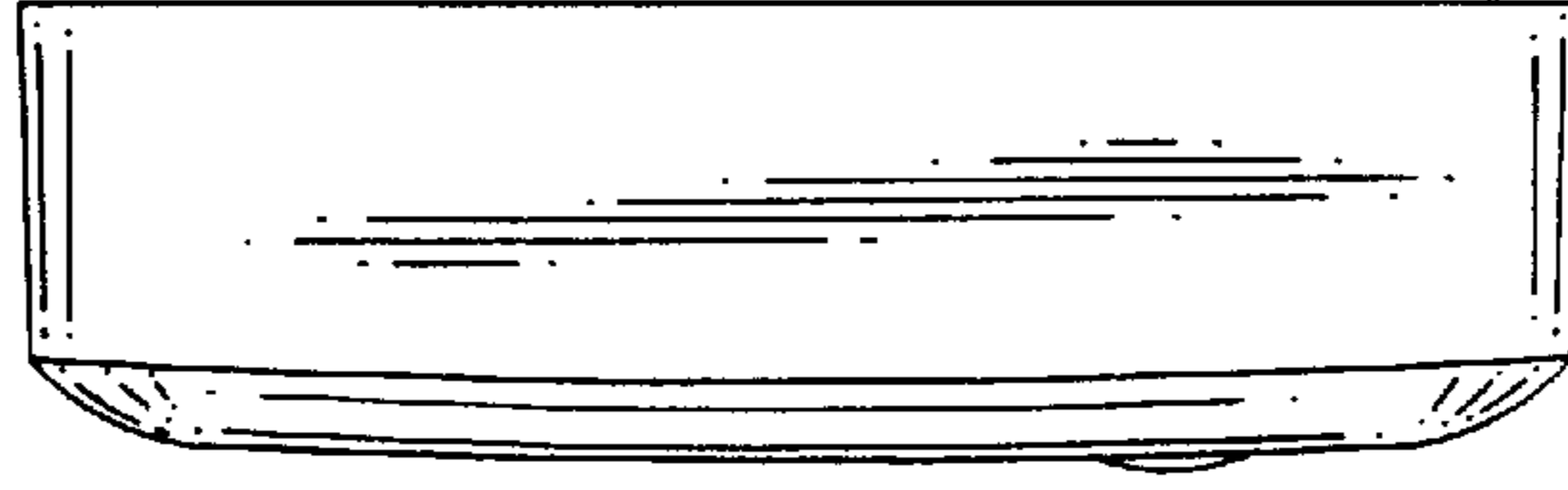


FIG. 5

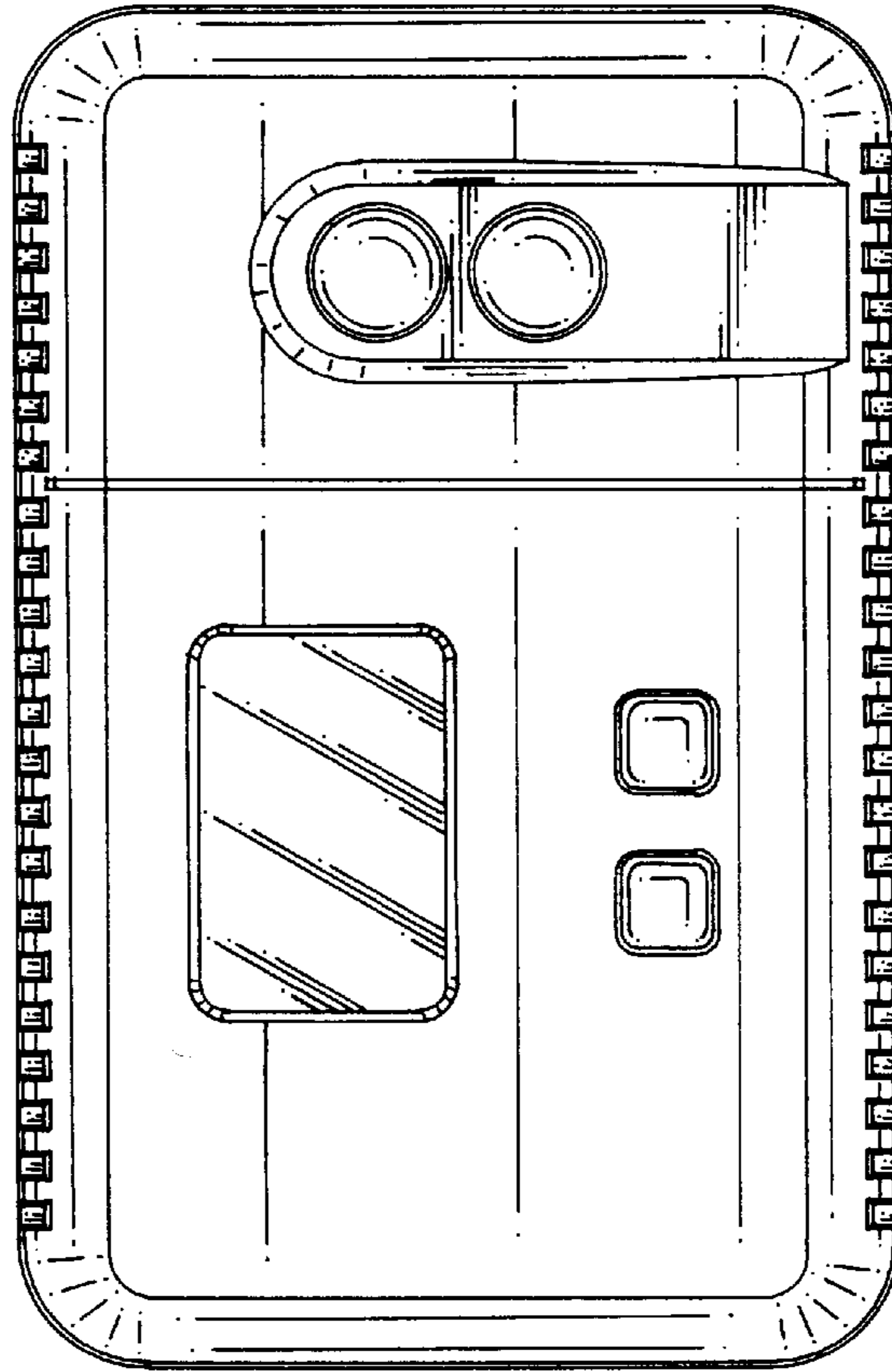


FIG. 3

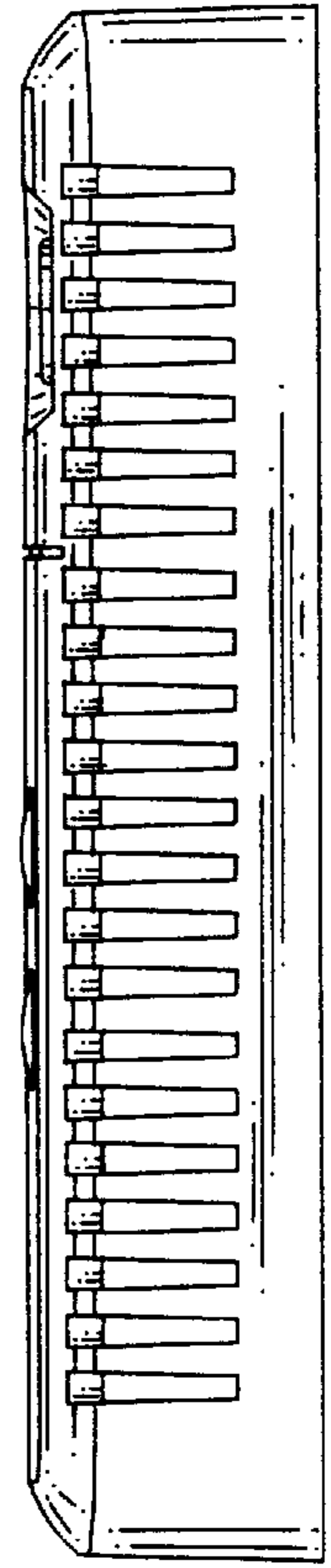


FIG. 6

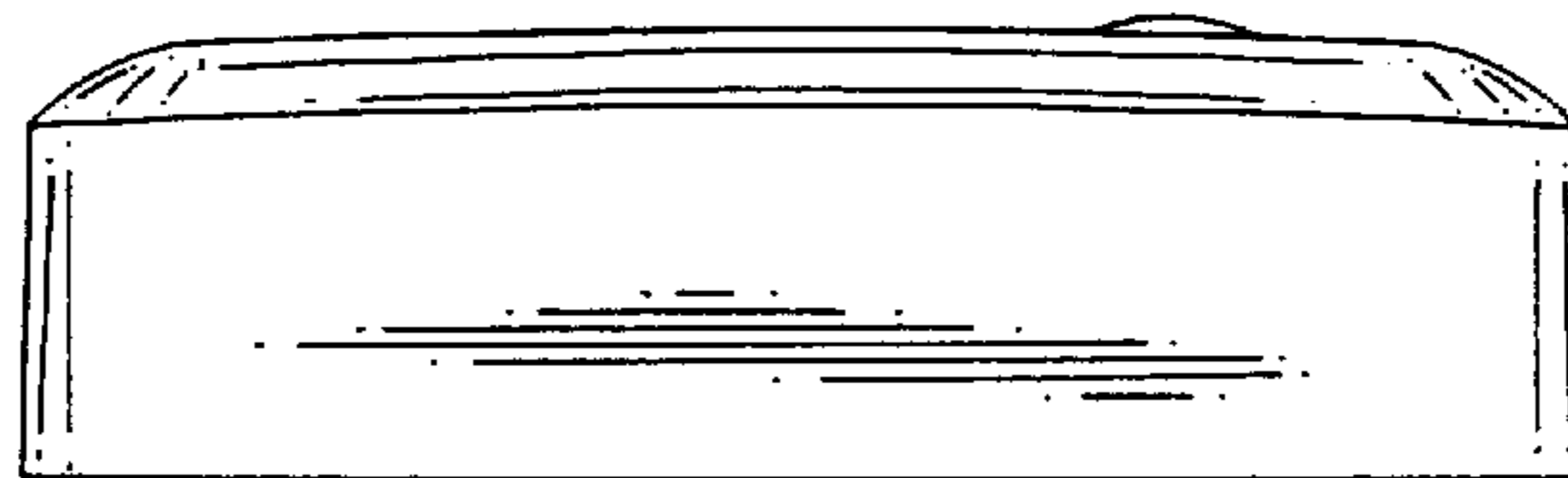


FIG. 4