



US00D413064S

**United States Patent** [19]  
**Bansal**

[11] **Patent Number: Des. 413,064**

[45] **Date of Patent: \*\* Aug. 24, 1999**

[54] **CLOSURE**

[75] Inventor: **Vinod Kumar Bansal**, Edison, N.J.

[73] Assignee: **Lipton**, Englewood Cliffs, N.J.

[\*\*] Term: **14 Years**

[21] Appl. No.: **29/077,956**

[22] Filed: **Oct. 14, 1997**

[51] **LOC (6) Cl.** ..... **09-07**

[52] **U.S. Cl.** ..... **D9/449**

[58] **Field of Search** ..... D9/435, 446, 447,  
D9/449, 454; 215/235, 236, 237; 220/334-339;  
222/481, 546, 556, 562

[56] **References Cited**

**U.S. PATENT DOCUMENTS**

D. 320,746	10/1991	Bolen, Jr. et al.	.....	D9/447	X
D. 334,538	4/1993	Bolen, Jr. et al.	.....	D9/447	
4,700,858	10/1987	Bennett	.....	215/237	
4,993,606	2/1991	Bolen et al.	.....	222/546	
5,251,793	10/1993	Bolen et al.	.....	222/546	
5,271,536	12/1993	Wilson	.....	222/556	X
5,358,130	10/1994	Mengeu	.....	215/235	X
5,395,015	3/1995	Bolen et al.	.....	222/546	

*Primary Examiner*—Doris V. Coles  
*Assistant Examiner*—Cathron B. Matta  
*Attorney, Agent, or Firm*—James J. Farrell

[57] **CLAIM**

The ornamental design for a closure, as shown and described.

**DESCRIPTION**

FIG. 1 is a perspective view of a closure showing my new design;  
FIG. 2 is a top plan view thereof;  
FIG. 3 is a rear elevational view thereof;  
FIG. 4 is a side elevational view, the undisclosed opposite side being a mirror image thereof;  
FIG. 5 is a front elevational view thereof;  
FIG. 6 is a perspective view of the closure with the top open;  
FIG. 7 is a top plan view with the top open;  
FIG. 8 is a rear elevational with view the top open;  
FIG. 9 is a side elevational view with the top open, the undisclosed opposite side being a mirror image thereof; and,  
FIG. 10 is a front elevational view with the top open.  
The broken line showing of the hinge portion is for illustrative purposes only and forms no part of the claimed design.

**1 Claim, 2 Drawing Sheets**

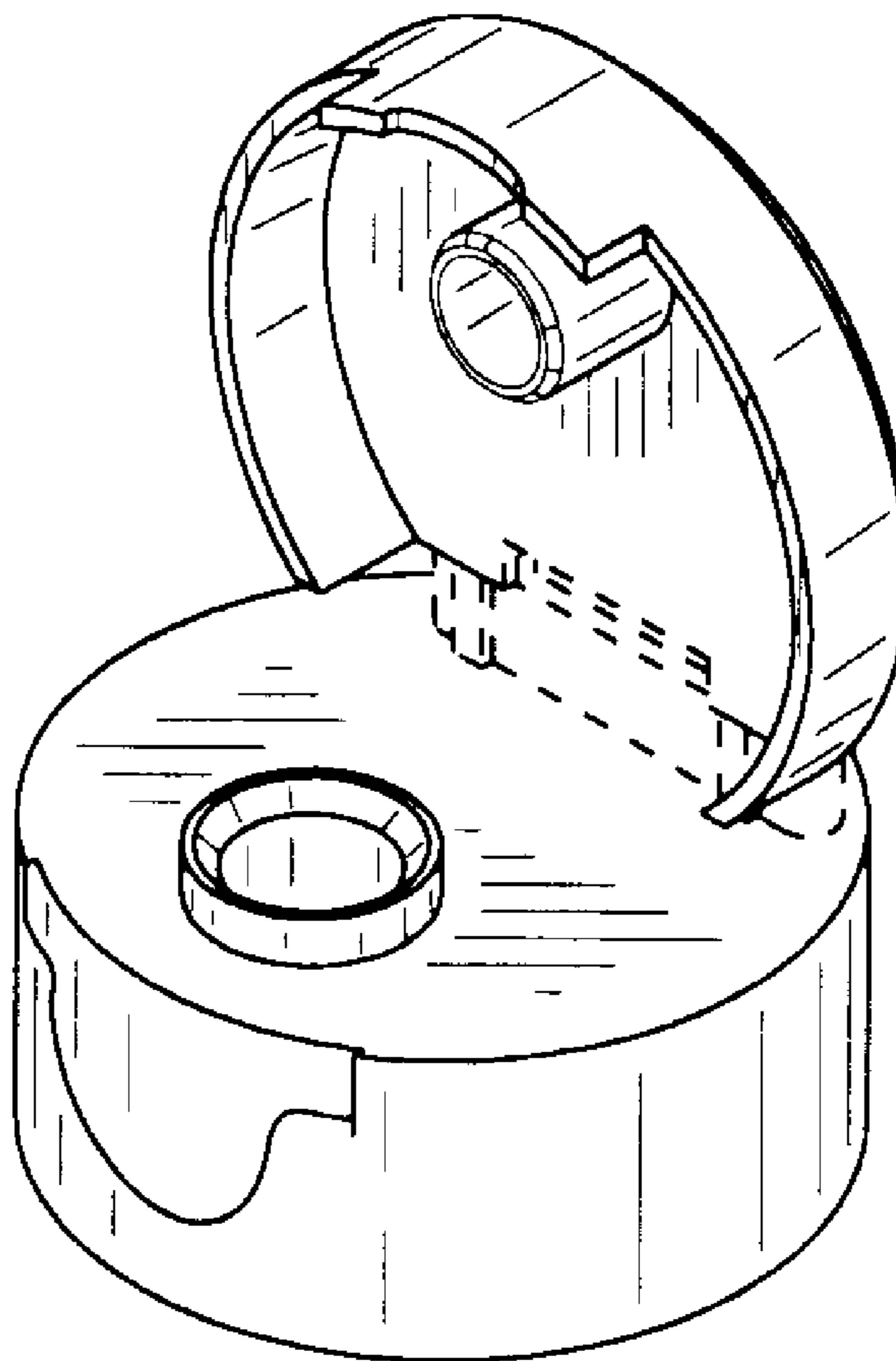


FIG. 1

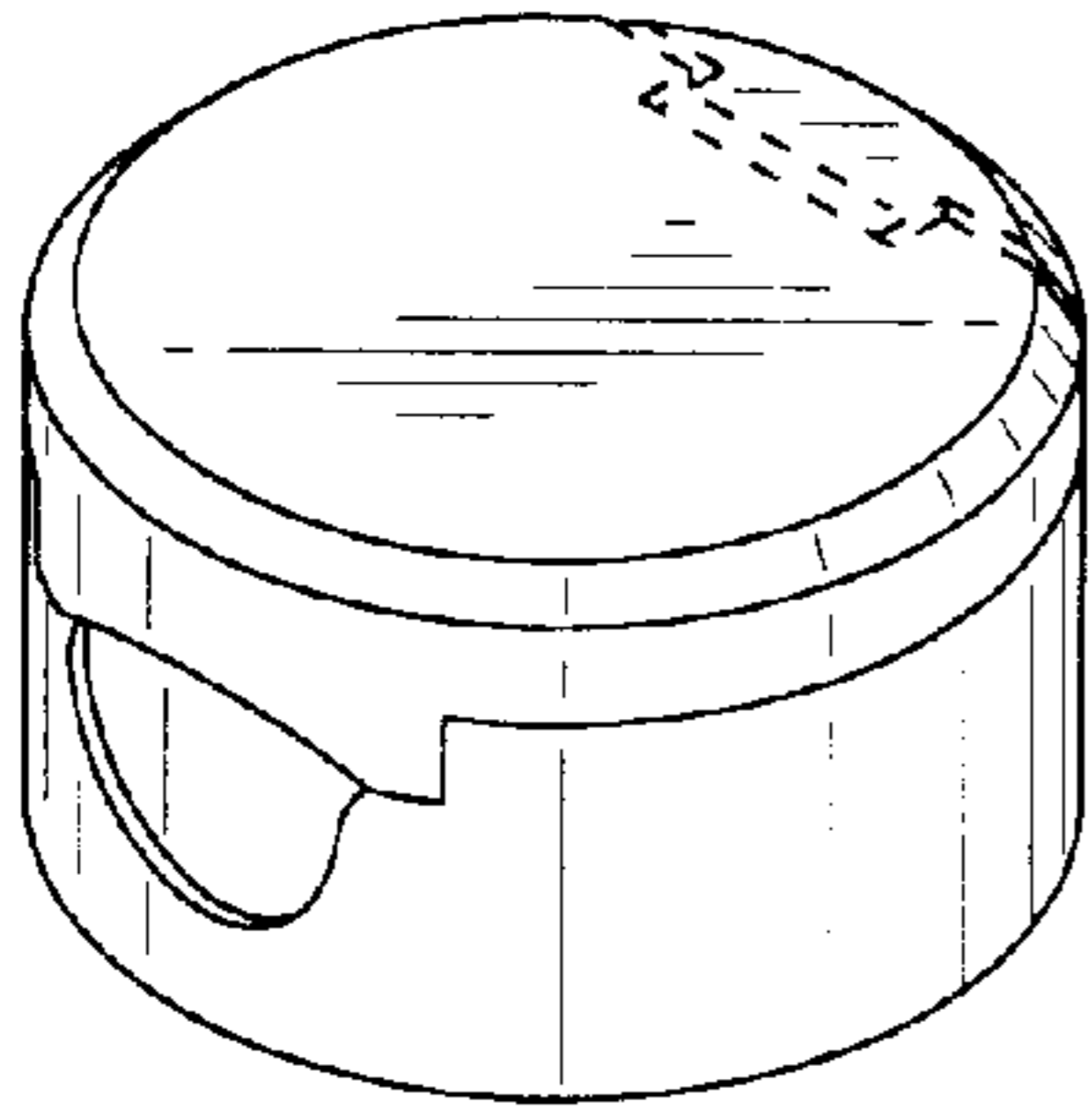


FIG. 2

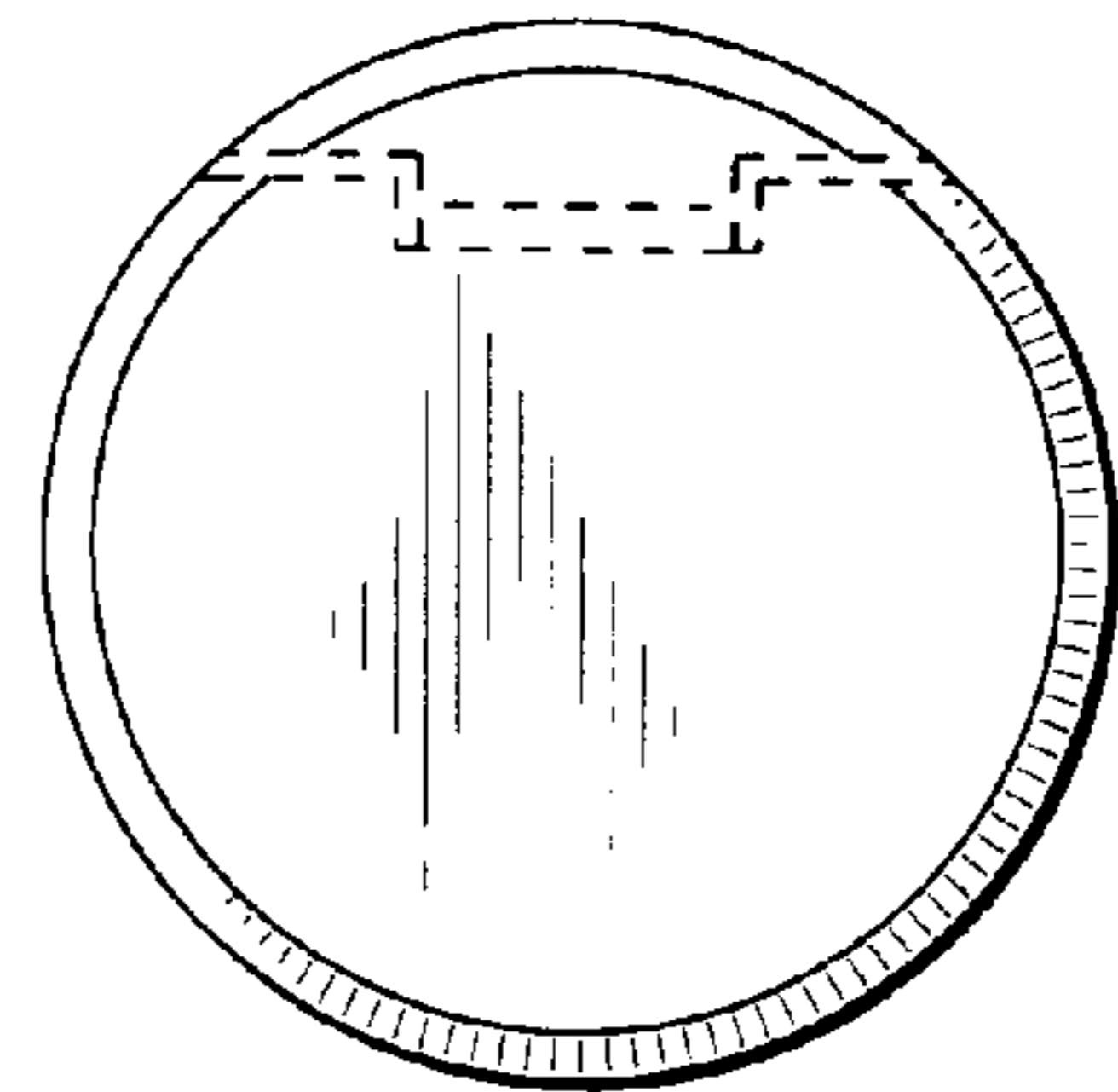


FIG. 3

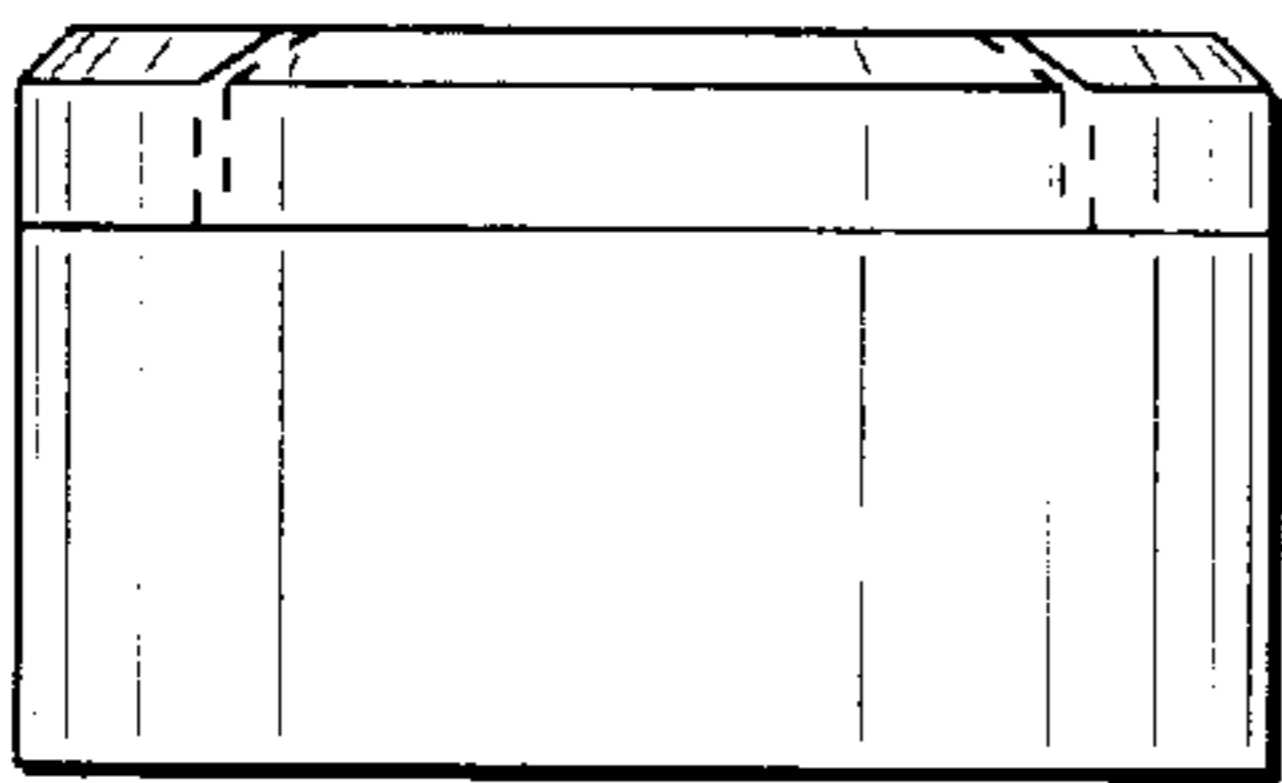


FIG. 4

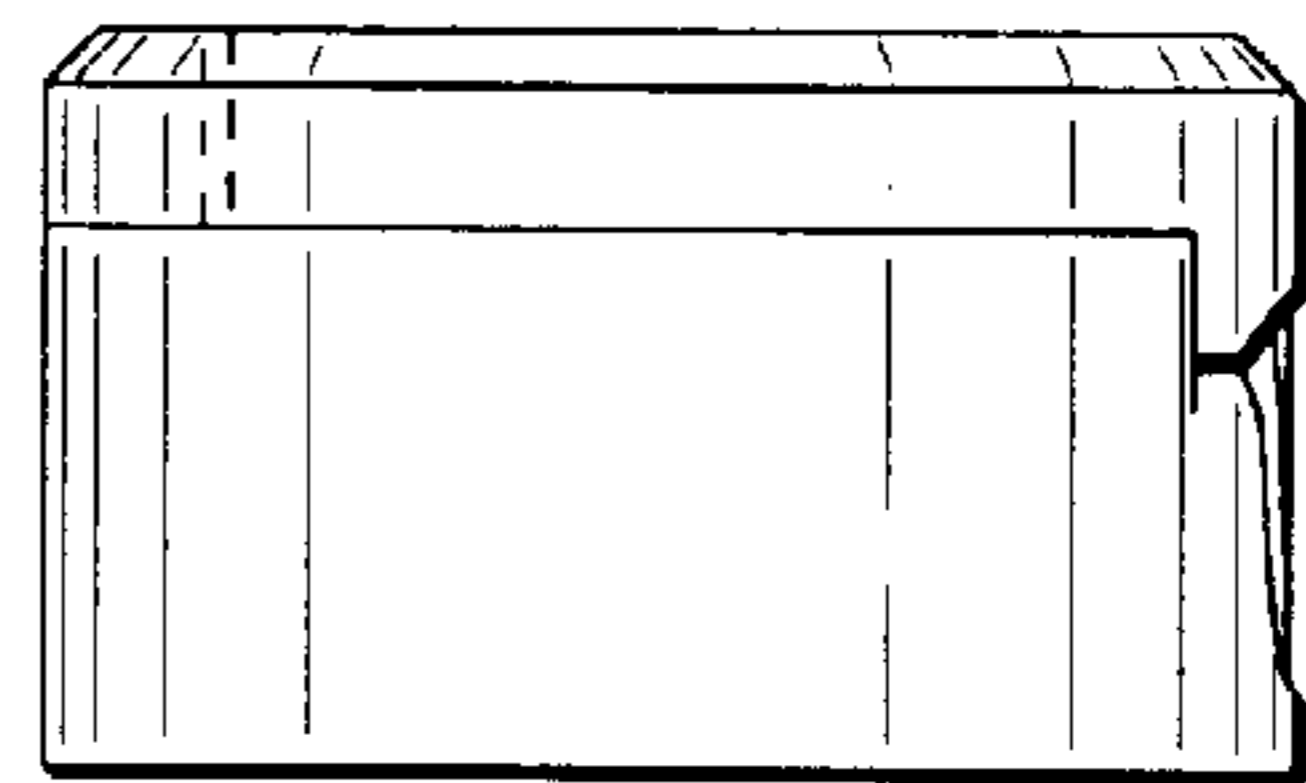
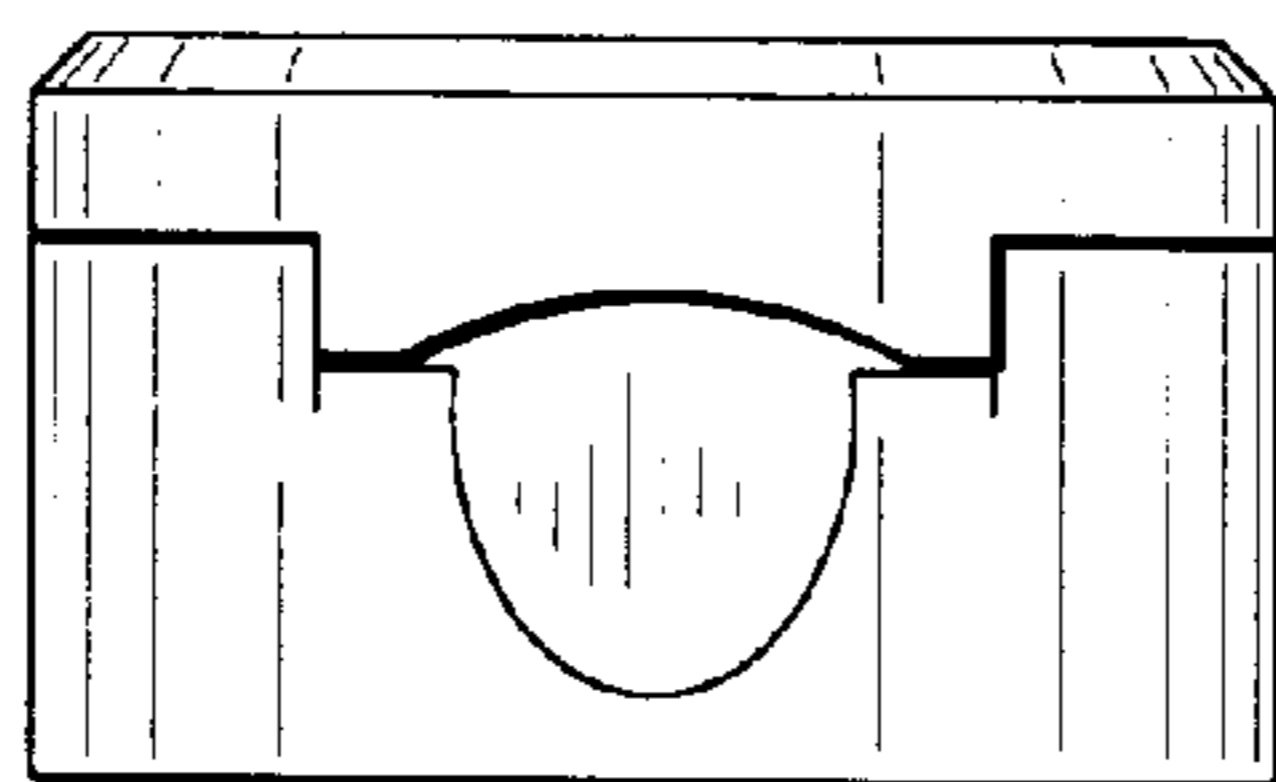
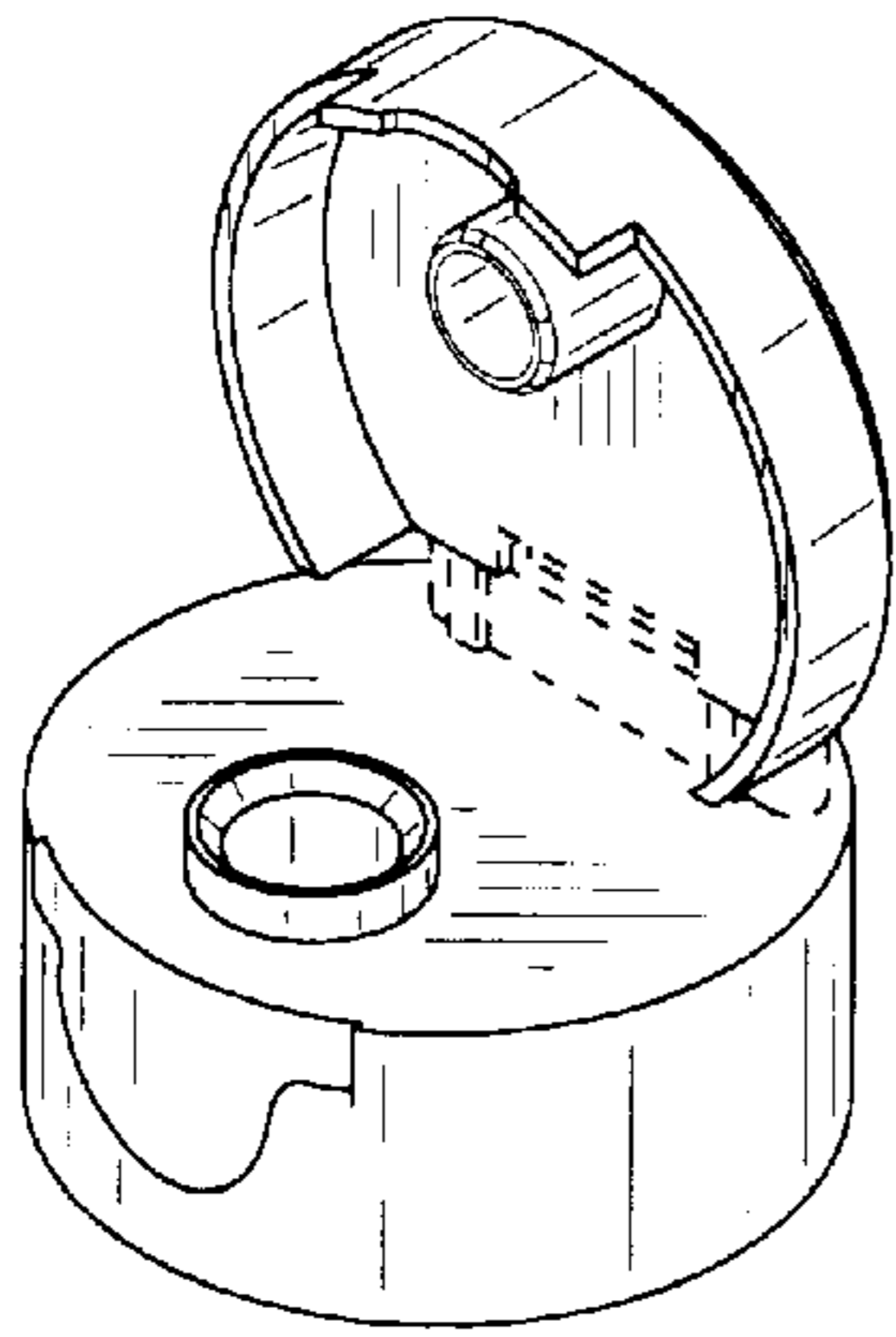


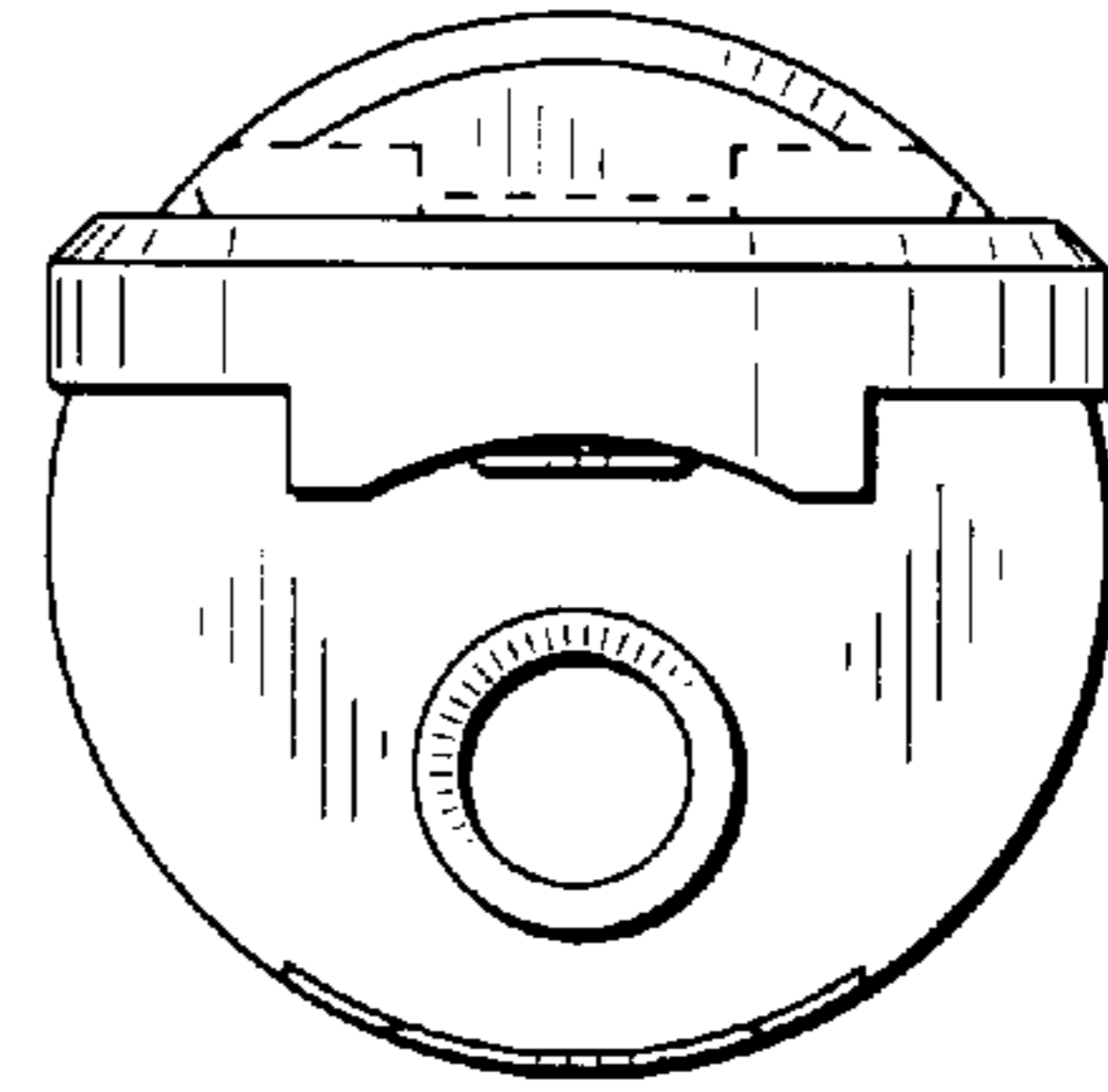
FIG. 5



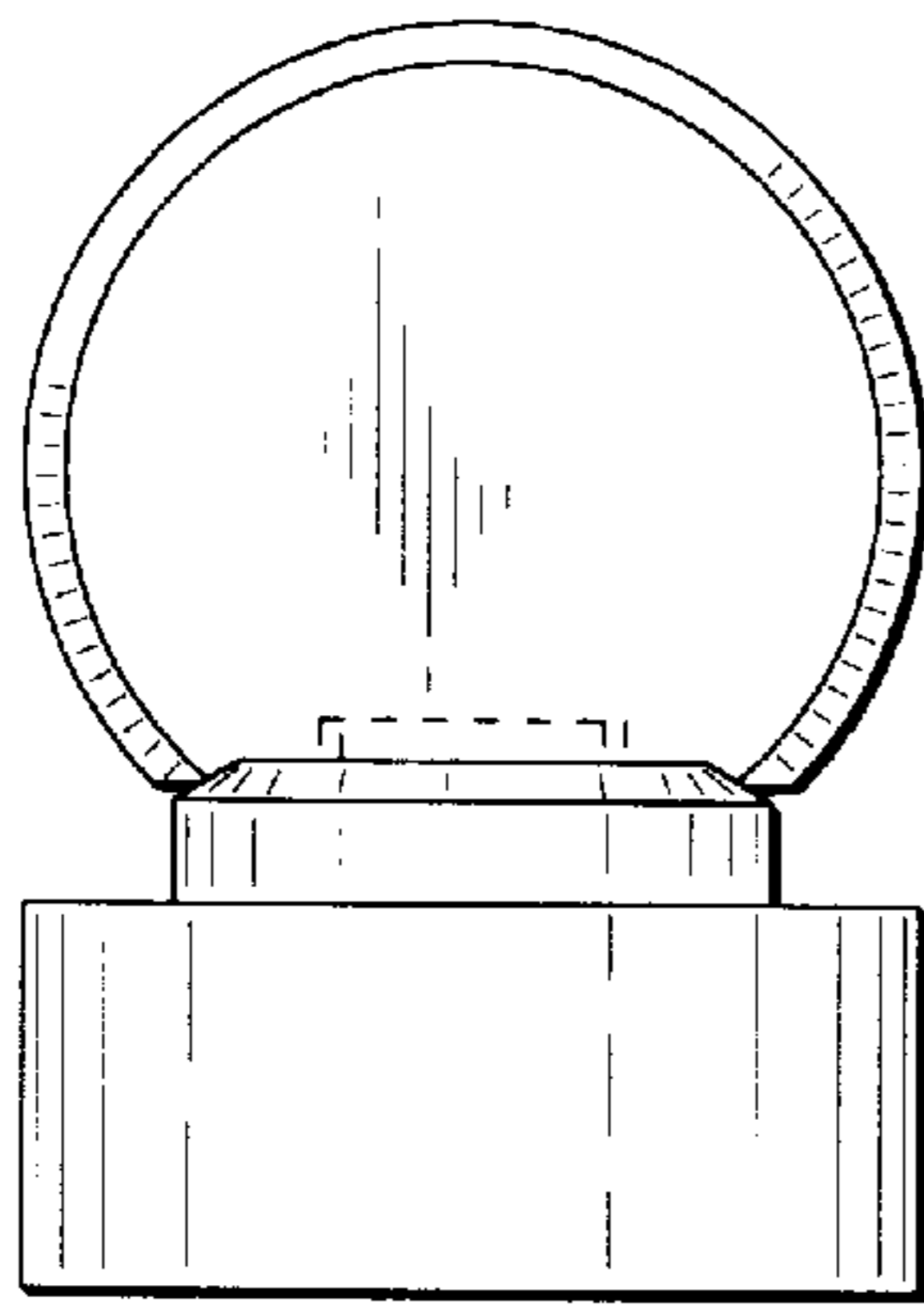
*FIG. 6*



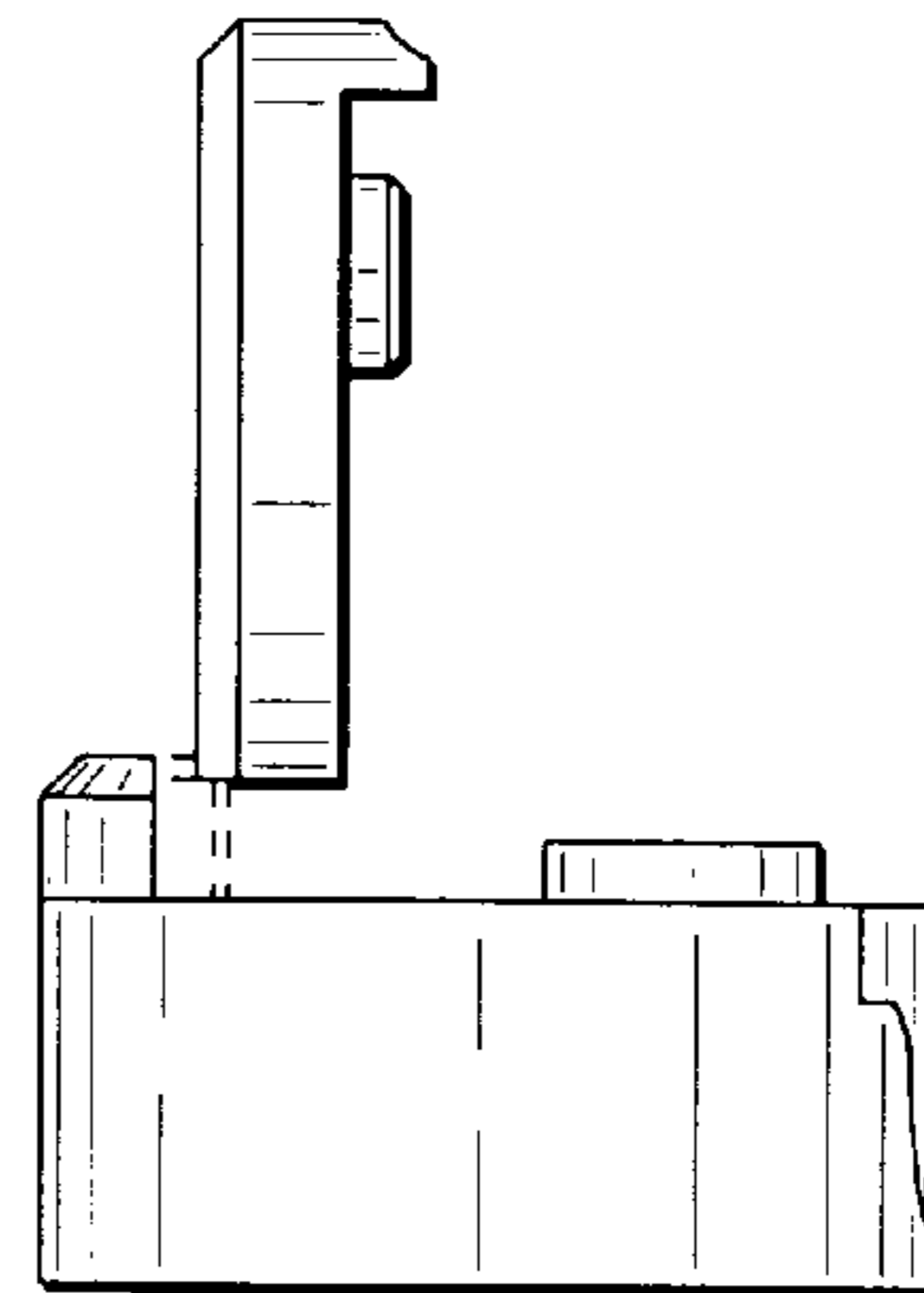
*FIG. 7*



*FIG. 8*



*FIG. 9*



*FIG. 10*

