



US00D413063S

# United States Patent [19]

Bell et al.

[11] Patent Number: **Des. 413,063**

[45] Date of Patent: **\*\* Aug. 24, 1999**

[54] **NOZZLE**

[75] Inventors: **Raymond Charles Bell**, West Chester;  
**Michael Hung-Tai Luh**; **Douglas William Pearce**, both of Cincinnati;  
**Ralph Albert Sagel**, Loveland, all of Ohio

[73] Assignee: **The Procter & Gamble Company**, Cincinnati, Ohio

[\*\*] Term: **14 Years**

[21] Appl. No.: **29/068,749**

[22] Filed: **Mar. 31, 1997**

[51] **LOC (6) Cl.** ..... **09-07**

[52] **U.S. Cl.** ..... **D9/434; D9/448**

[58] **Field of Search** ..... D9/434, 435, 436,  
D9/440, 447, 448, 449, 300; 222/94, 129,  
137, 145.1, 145.3

[56] **References Cited**

**U.S. PATENT DOCUMENTS**

D. 206,993	2/1967	Baker	.....	D4/3
D. 244,513	5/1977	Butcher	.....	D9/448
D. 297,305	8/1988	Rudick et al.	.....	D9/300
D. 303,627	9/1989	Wilkinson	.....	D9/300
D. 306,554	3/1990	Lawson	.....	D9/300
D. 313,181	12/1990	Pettengill	.	
D. 315,496	3/1991	Pettengill	.	

D. 320,735	10/1991	Pettengill	.	
D. 363,981	11/1995	Muderlak	.....	D9/300 X
D. 373,529	9/1996	Zogg et al.	.....	D9/300
3,166,221	1/1965	Nielsen	.....	222/137
3,236,418	2/1966	Dalle et al.	.....	222/135
3,785,528	1/1974	Mandeltort	.....	222/402.13 X
4,159,066	6/1979	Silver	.....	222/129
4,220,261	9/1980	White	.....	222/135
4,742,940	5/1988	Wilkinson	.....	222/162
4,773,562	9/1988	Gueret	.....	222/135
4,961,520	10/1990	White	.....	222/135
5,102,016	4/1992	Ball et al.	.....	222/145.3
5,289,949	3/1994	Gentile	.....	222/137

*Primary Examiner*—James Gandy  
*Assistant Examiner*—Cathron B. Matta  
*Attorney, Agent, or Firm*—Jack L. Oney Jr.

[57] **CLAIM**

The ornamental design for a nozzle, as shown and described.

**DESCRIPTION**

FIG. 1 is a perspective view of a nozzle, embodying our new design;

FIG. 2 is a side elevational view thereof, the opposite side elevational view thereof being a mirror image;

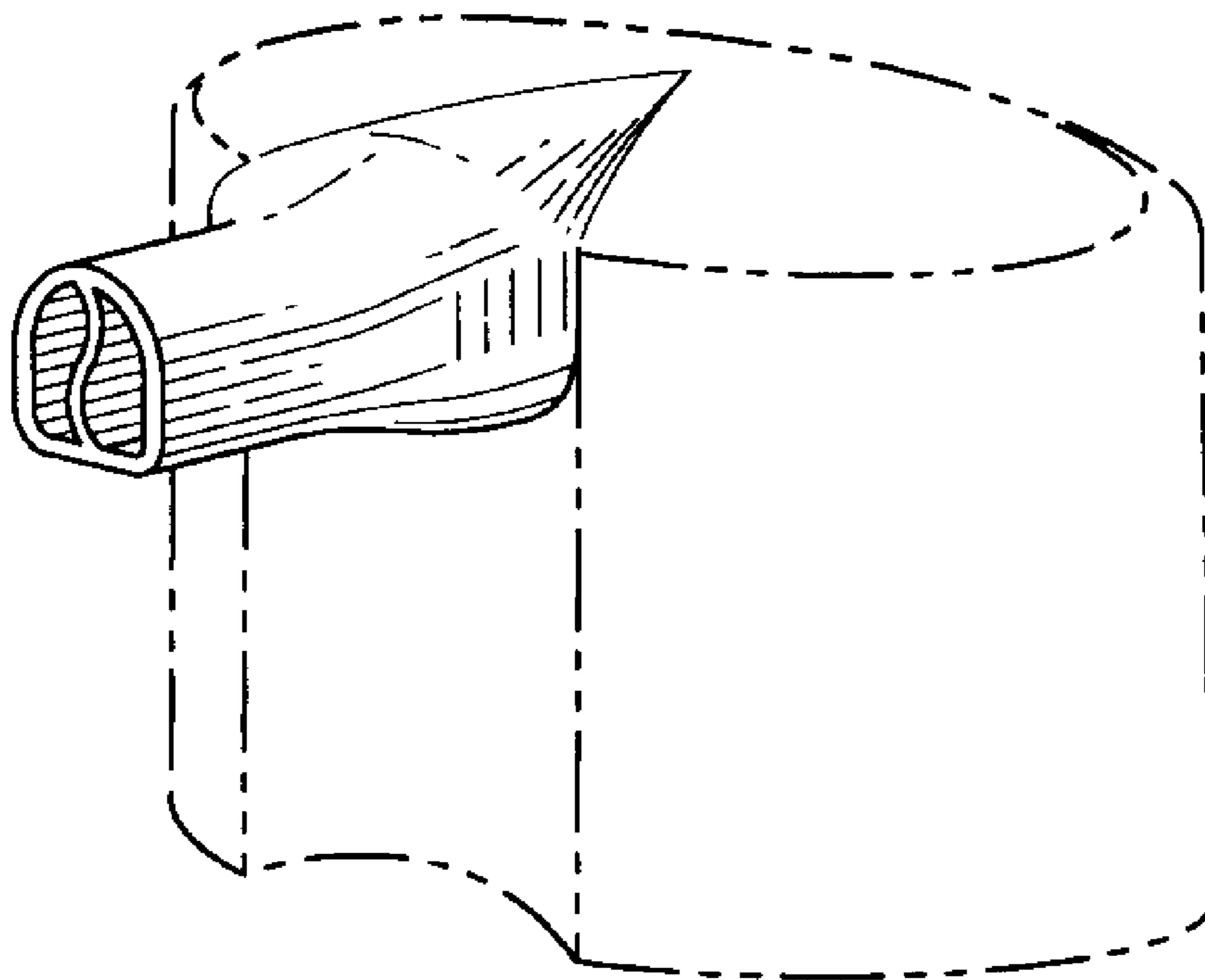
FIG. 3 is a top view thereof;

FIG. 4 is a front elevational view thereof; and,

FIG. 5 is a bottom view thereof.

The broken lines shown in the figures are for illustrative purposes only, and form no part of the claimed invention.

**1 Claim, 1 Drawing Sheet**



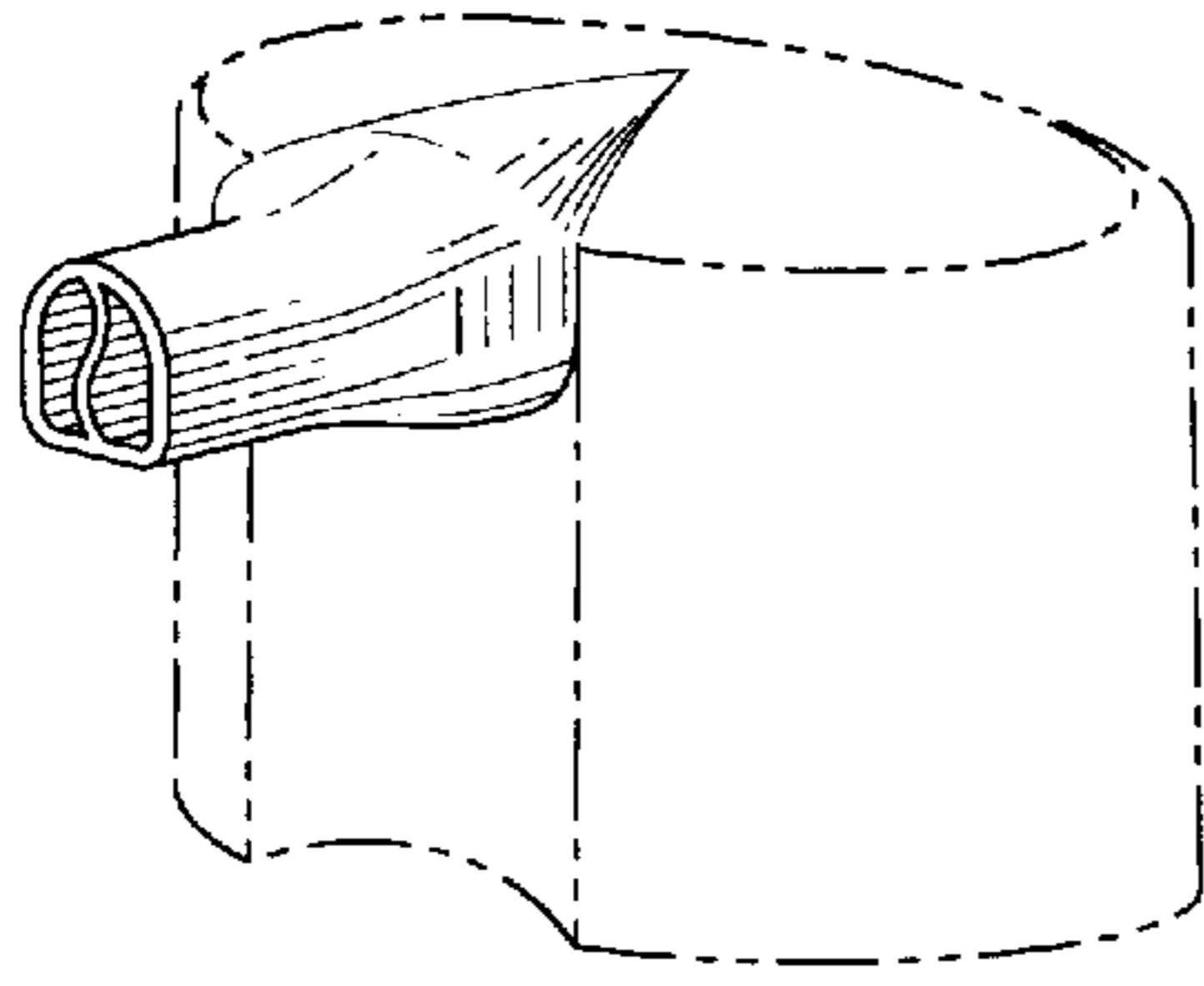


Fig. 1

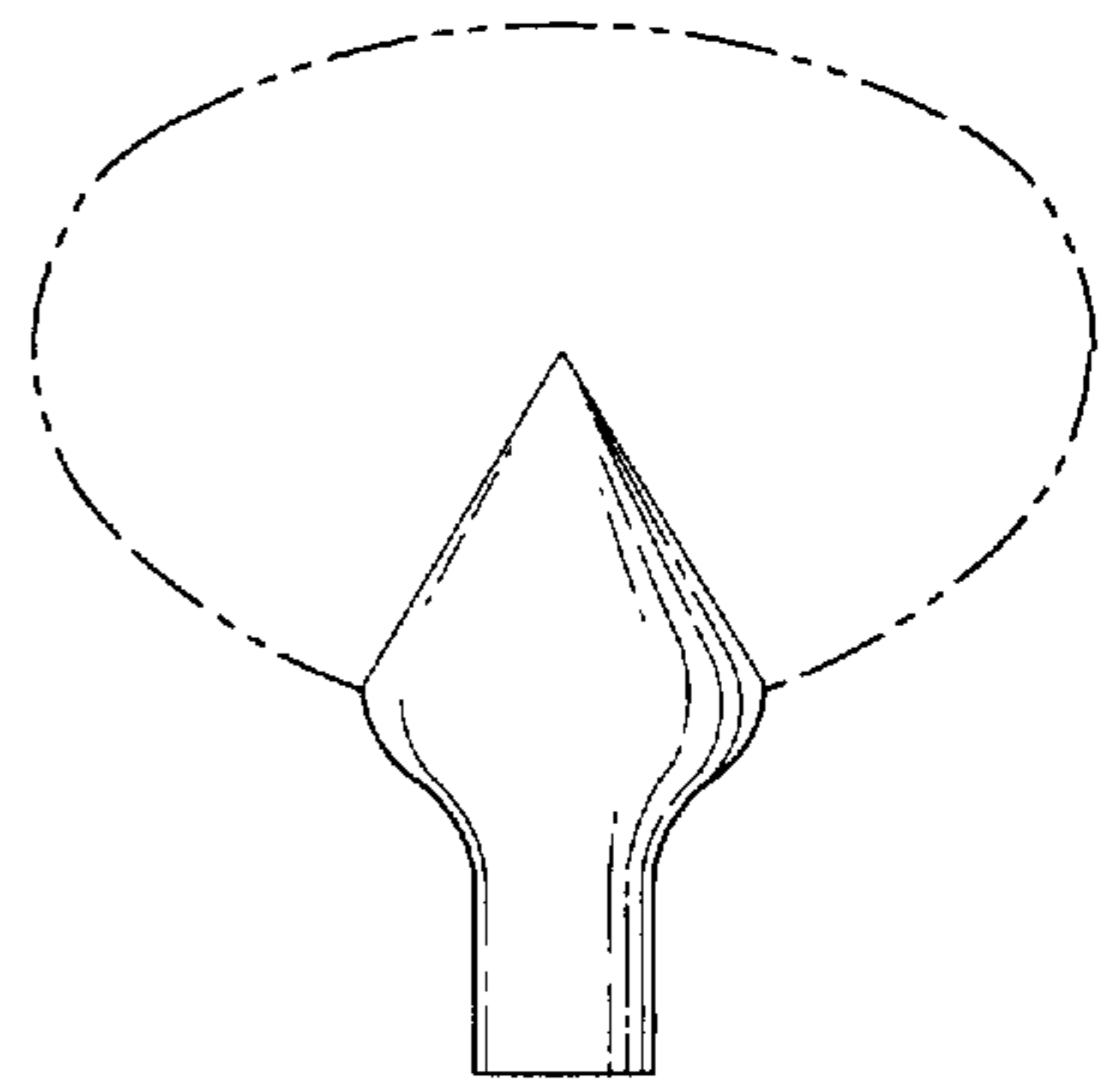


Fig. 3

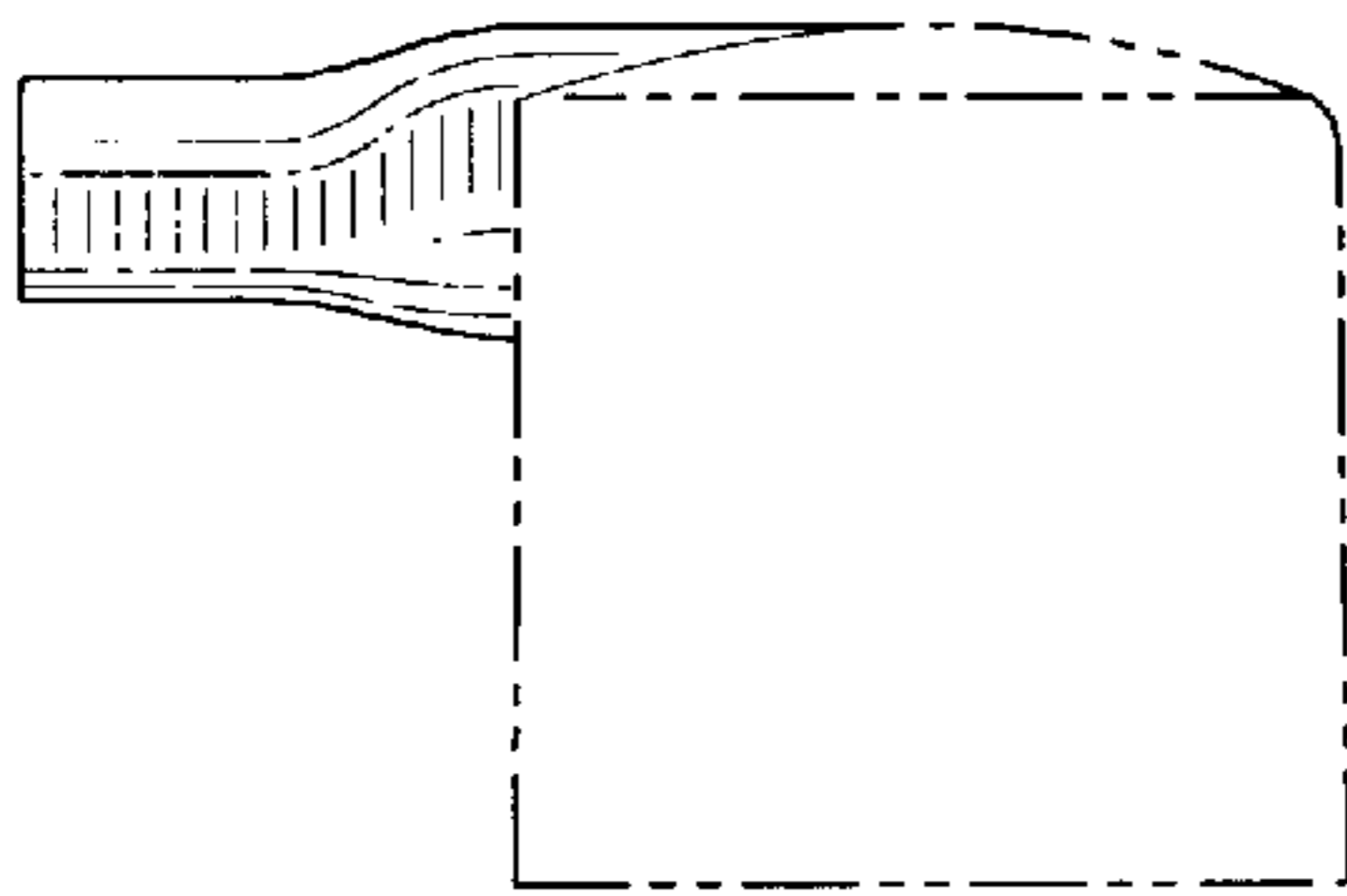


Fig. 2

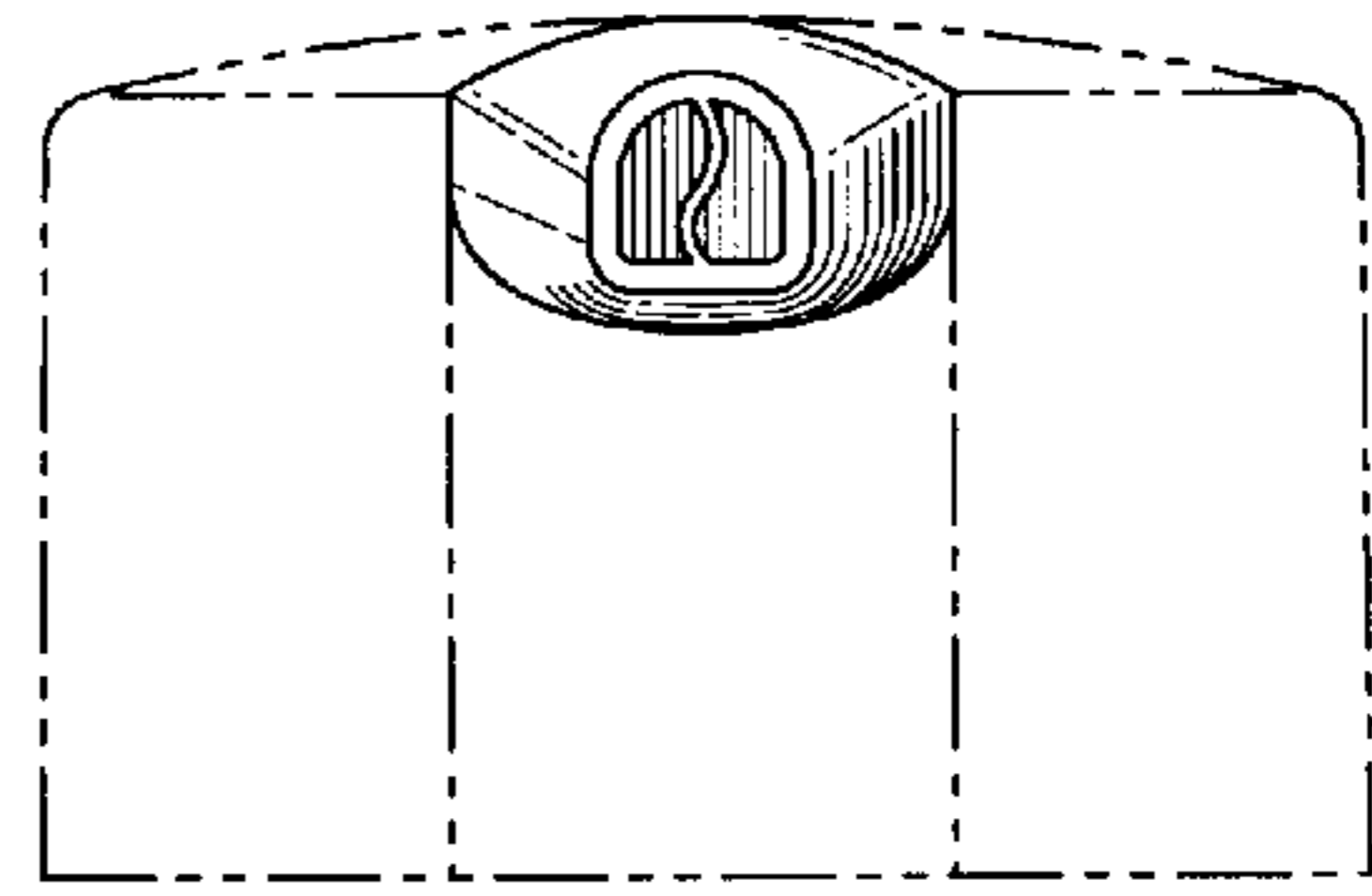


Fig. 4

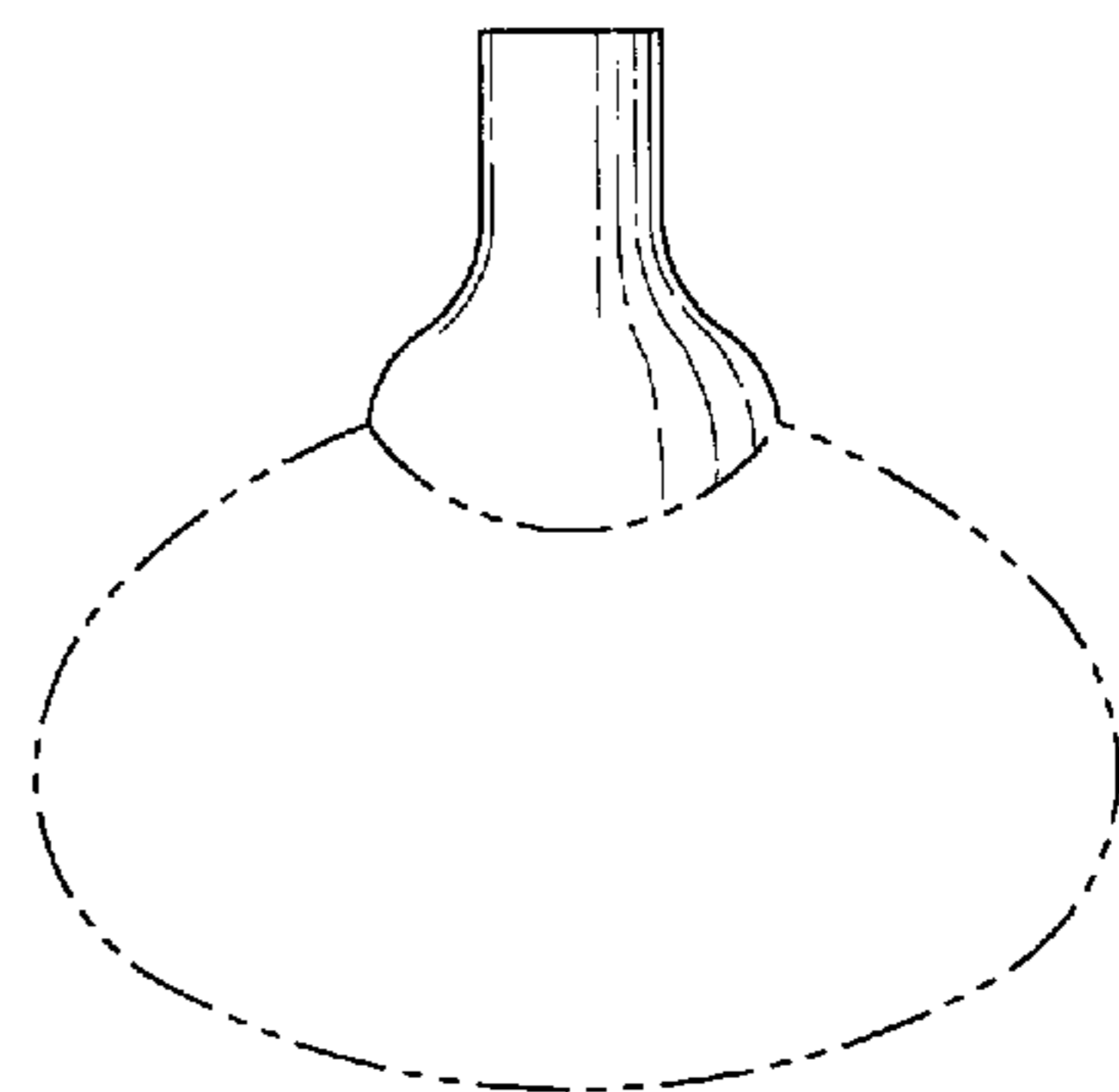


Fig. 5