



US00D413059S

United States Patent [19]

[11] **Patent Number: Des. 413,059**

Dell et al.

[45] **Date of Patent: ** Aug. 24, 1999**

[54] **THREADED FASTENER WITH SERRATED HEAD**

Attorney, Agent, or Firm—Kevin L. Klug

[76] Inventors: **Brian Dell**, 4922 Valley Crest Dr., St. Louis, Mo. 63128; **Robert Jacobs**, 2212 Lodgewood, St. Peters, Mo. 63376

[57] **CLAIM**

The ornamental design for a threaded fastener with serrated head, as shown and described.

[**] Term: **14 Years**

DESCRIPTION

[21] Appl. No.: **29/084,521**

FIG. 1 is a front elevational view of a threaded fastener with serrated head showing my novel design, the rear view being identical;

[22] Filed: **Mar. 5, 1998**

[51] **LOC (6) Cl.** **08-08**

[52] **U.S. Cl.** **D8/387**

[58] **Field of Search** D8/387; 411/378, 411/411, 166, 178, 184, 188, 911, 427

FIG. 2 is a right side elevational view thereof which is symmetrical with and equivalent to a left side elevational view;

[56] **References Cited**

FIG. 3 is an enlarged top plan view thereof; and,

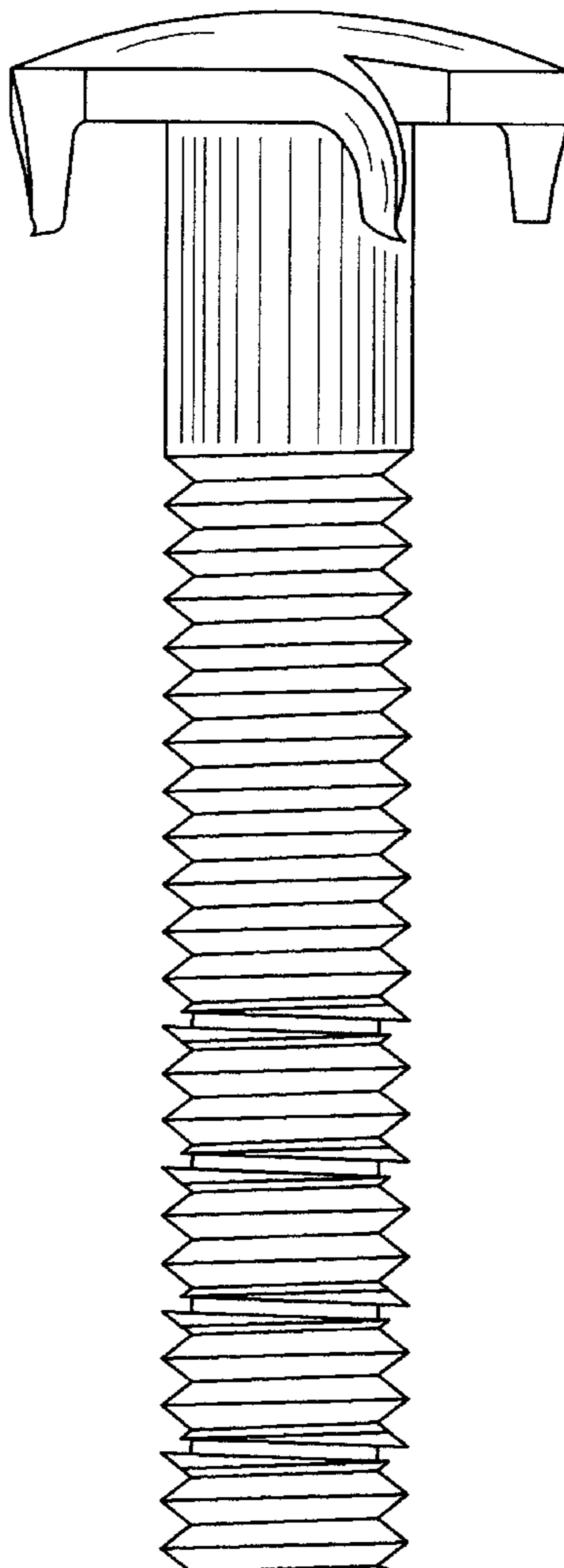
PUBLICATIONS

FIG. 4 is a bottom plan view thereof.

Elco Catalog, p. 212, screw, item A located at top of page, Sep. 1960.

Primary Examiner—Holly Baynham

1 Claim, 4 Drawing Sheets



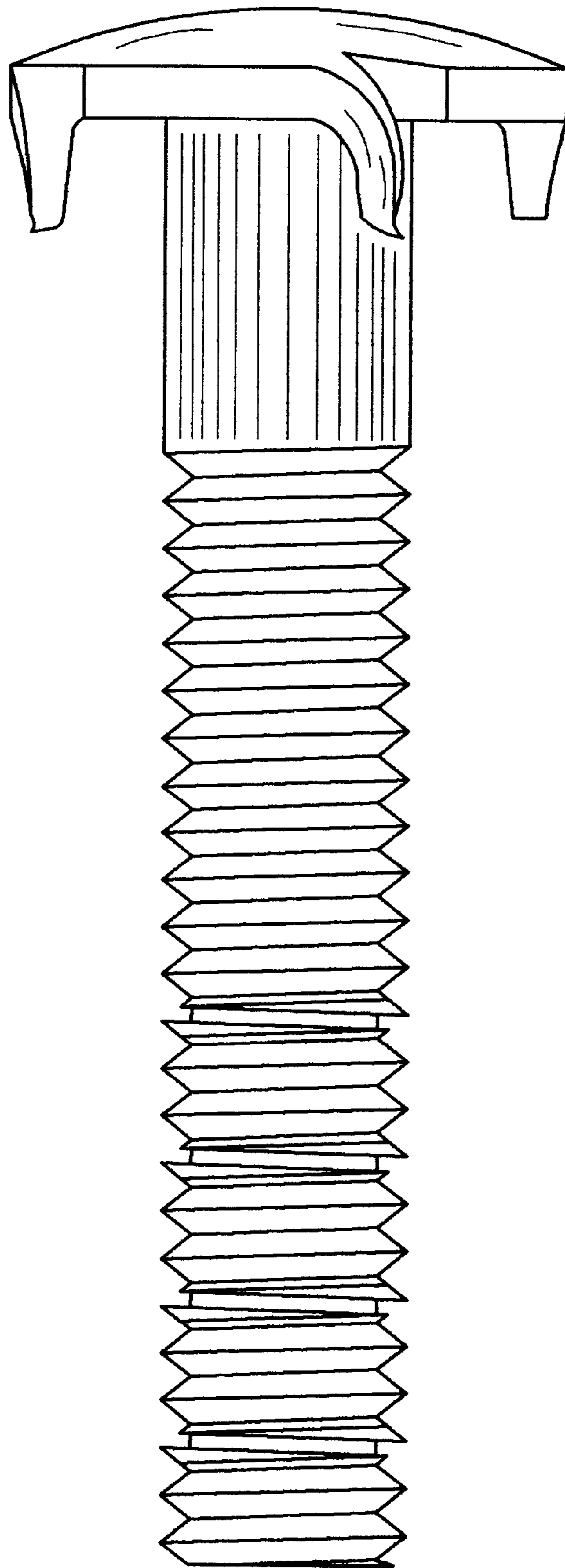


FIGURE 1

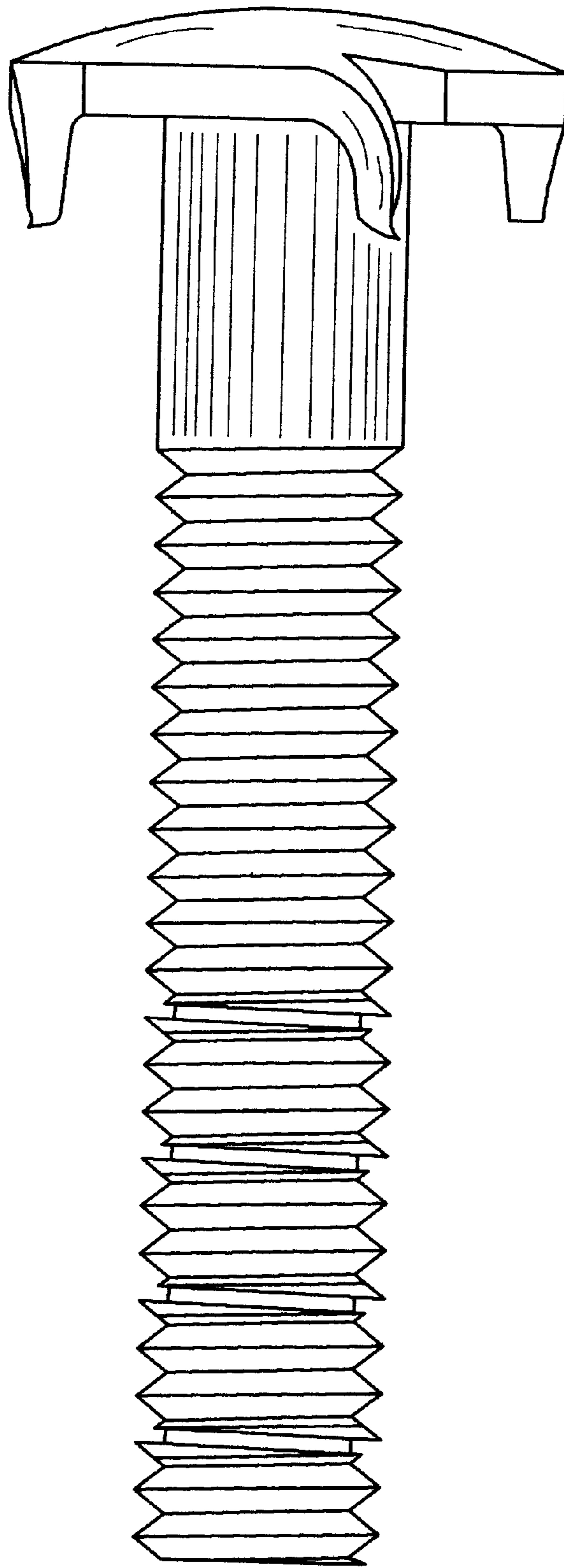


FIGURE 2

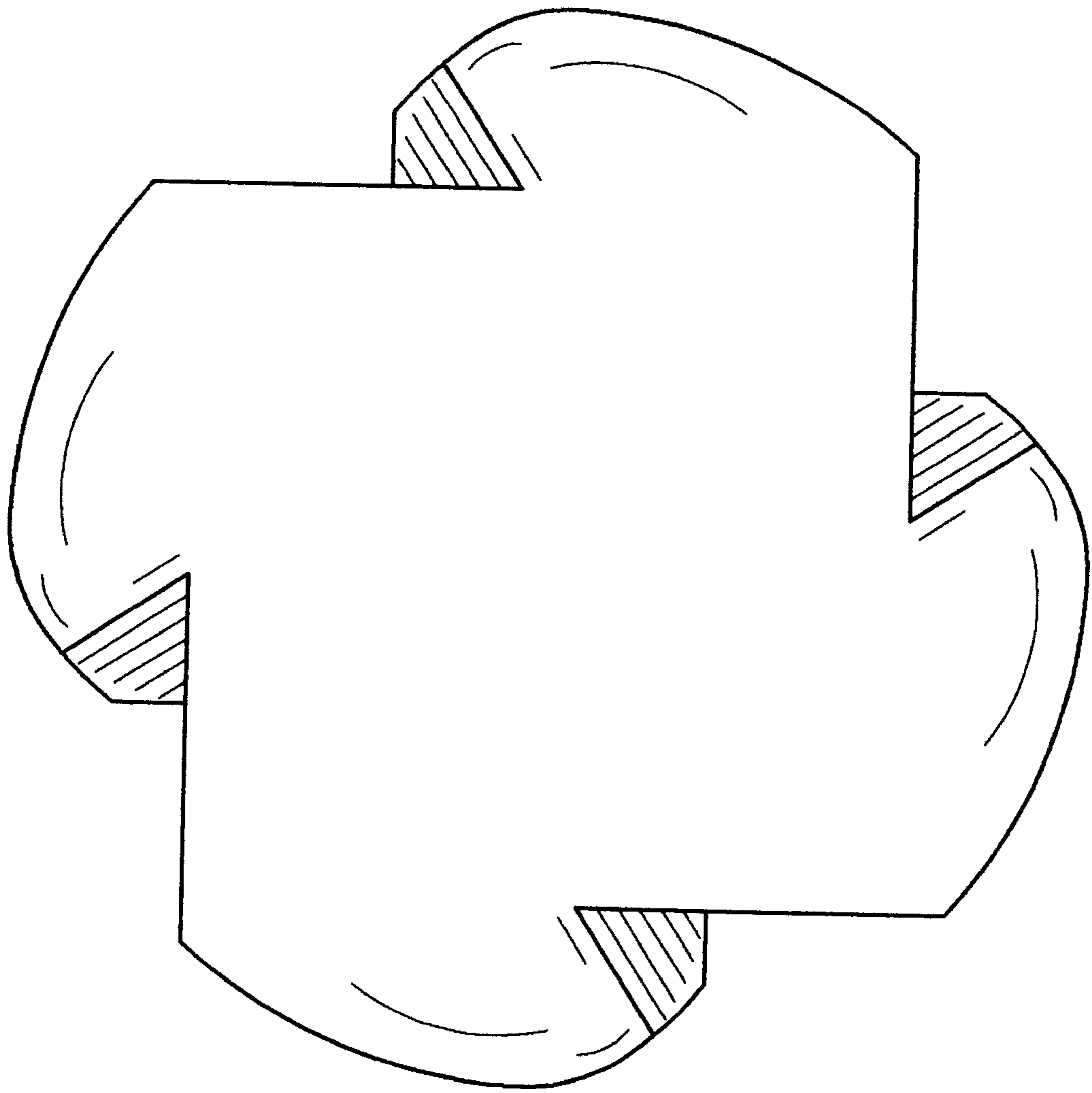


FIGURE 3

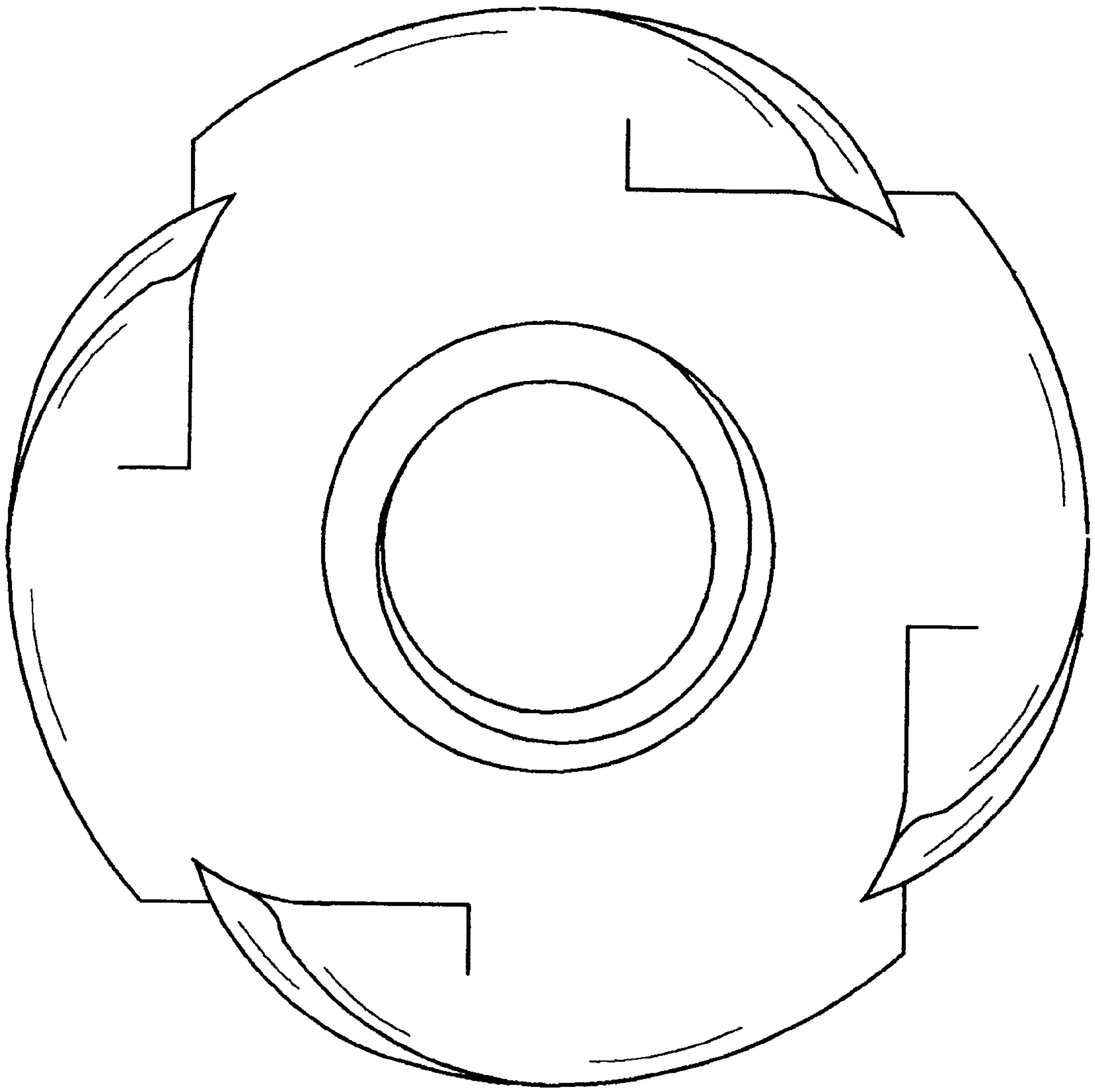


FIGURE 4