



US00D413058S

**United States Patent** [19]  
**Murakami**

[11] **Patent Number: Des. 413,058**

[45] **Date of Patent: \*\* Aug. 24, 1999**

[54] **JOINT**

[75] Inventor: **Takeyasu Murakami**, Shizuoka, Japan

[73] Assignee: **Yazaki Industrial Chemical Co., Ltd.**,  
Shizuoka, Japan

[\*\*] Term: **14 Years**

[21] Appl. No.: **29/096,919**

[22] Filed: **Nov. 23, 1998**

[51] **LOC (6) Cl.** ..... **08-08**

[52] **U.S. Cl.** ..... **D8/382**

[58] **Field of Search** ..... D8/382; 403/169-170,  
403/173-174, 205, 312, 177-178, 300,  
305-306; 211/182, 68

[56] **References Cited**

**U.S. PATENT DOCUMENTS**

D. 386,394 11/1997 Ookubo et al. .... D8/382

*Primary Examiner*—Holly Baynham  
*Attorney, Agent, or Firm*—Dellett and Walters

[57] **CLAIM**

The ornamental design for a joint, as shown and described.

**DESCRIPTION**

FIG. 1 is a front perspective view of a joint showing my new design;

FIG. 2 is a front elevational view thereof;

FIG. 3 is a rear elevational view thereof;

FIG. 4 is a top plan view thereof;

FIG. 5 is a left side elevational view thereof;

FIG. 6 is a right side elevational view thereof;

FIG. 7 is a sectional view along line 7—7 of FIG. 2;

FIG. 8 is a sectional view along line 8—8 of FIG. 4; and,

FIG. 9 is a sectional view along line 9—9 of FIG. 4.

The bottom end is a mirror image of the top plan shown in FIG. 4.

**1 Claim, 3 Drawing Sheets**

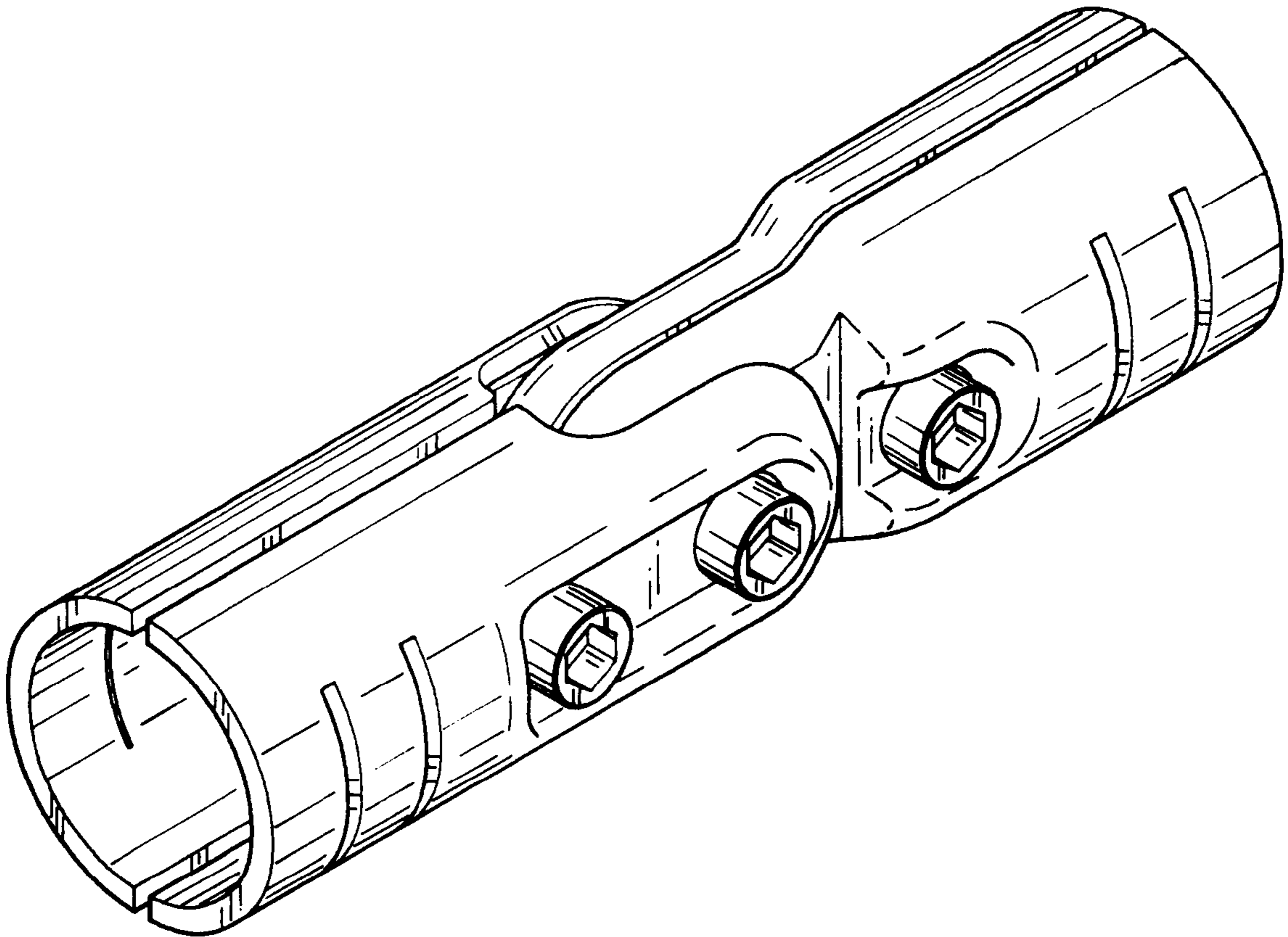


FIG. 1

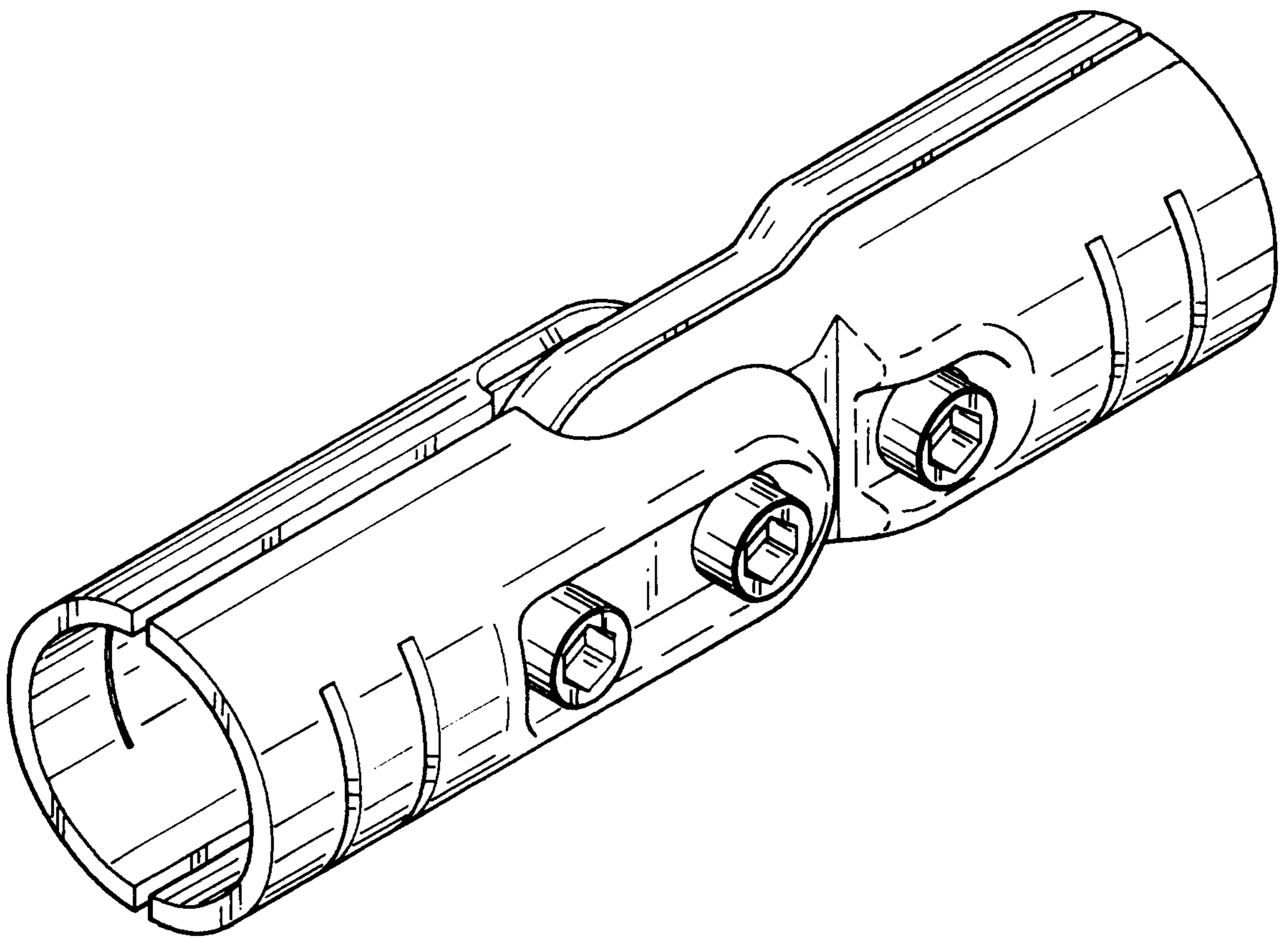


FIG. 2

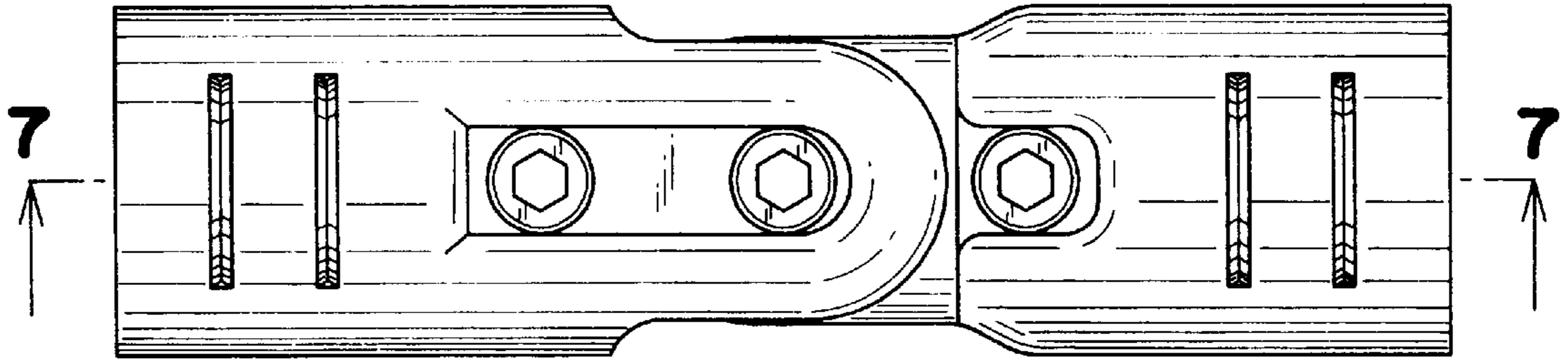


FIG. 3

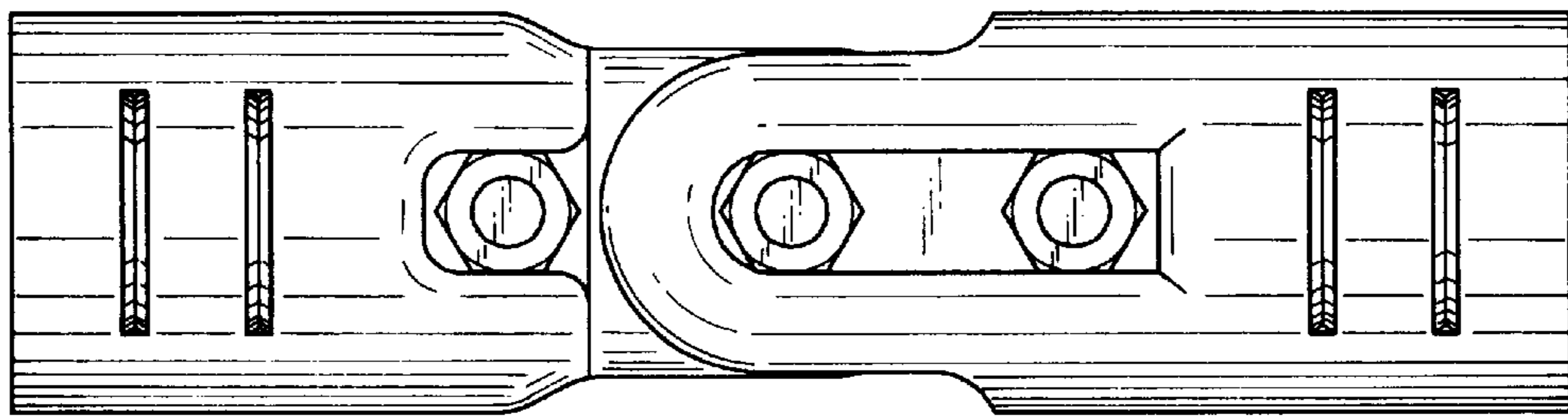


FIG. 4

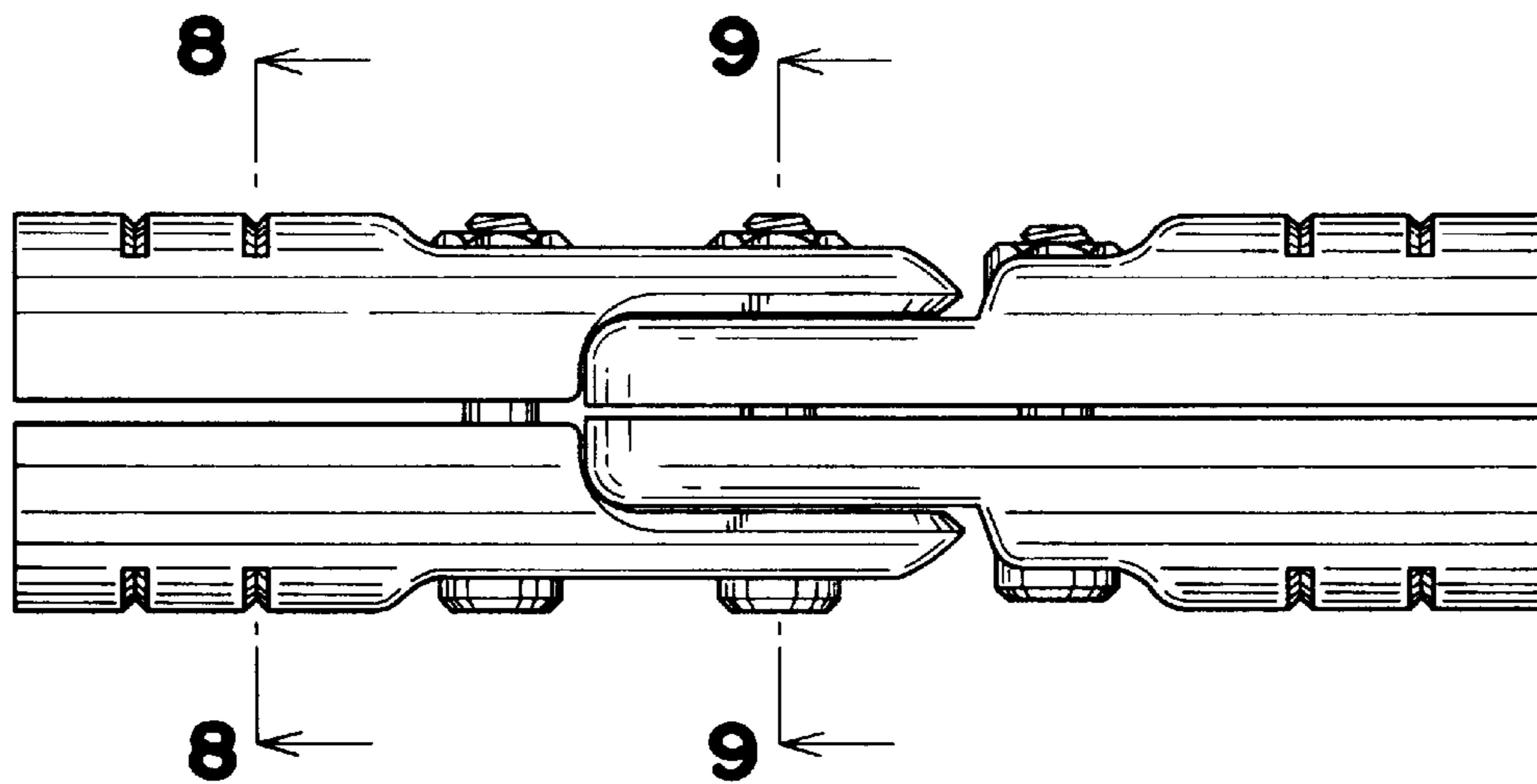


FIG. 5

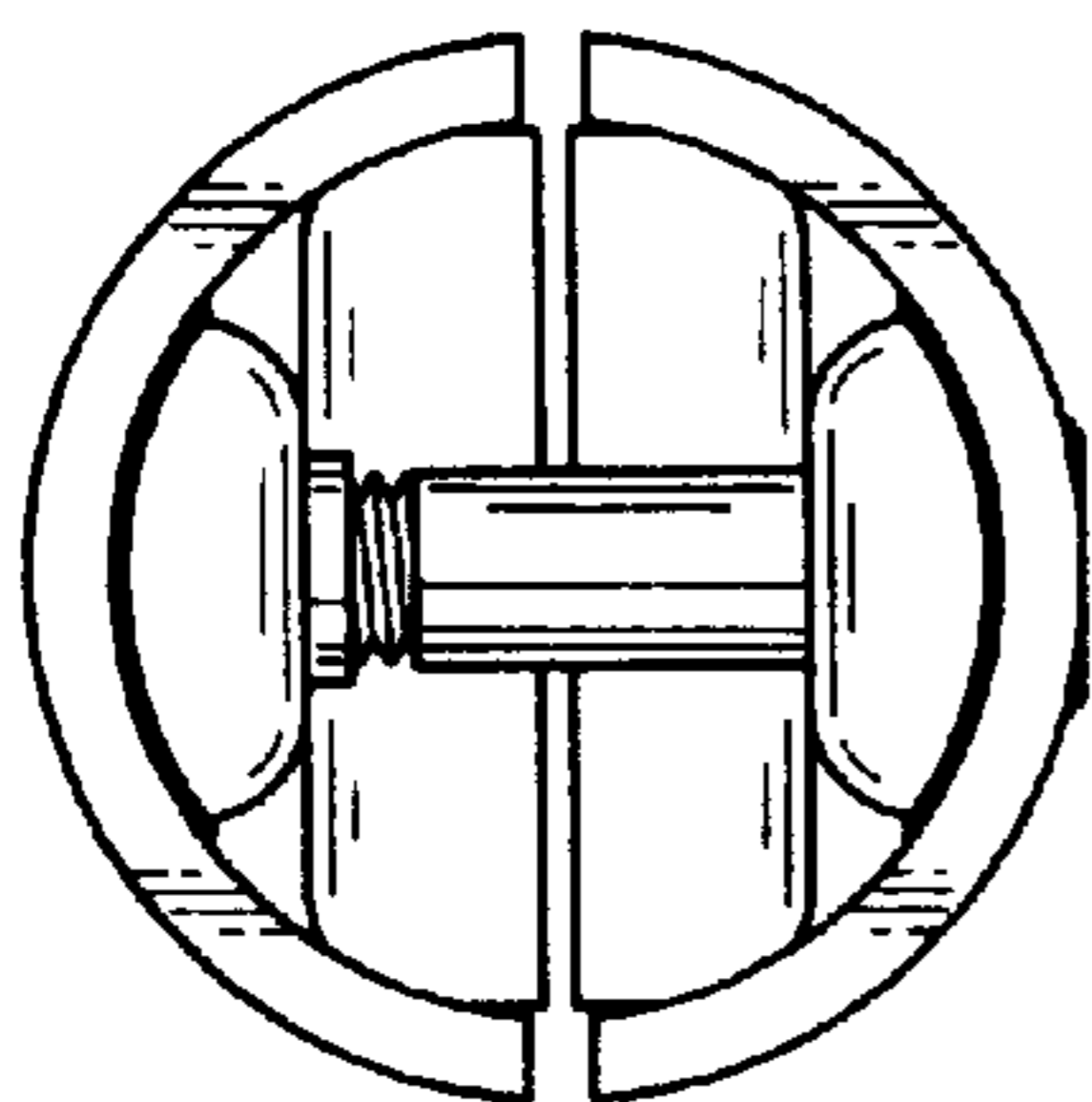


FIG. 6

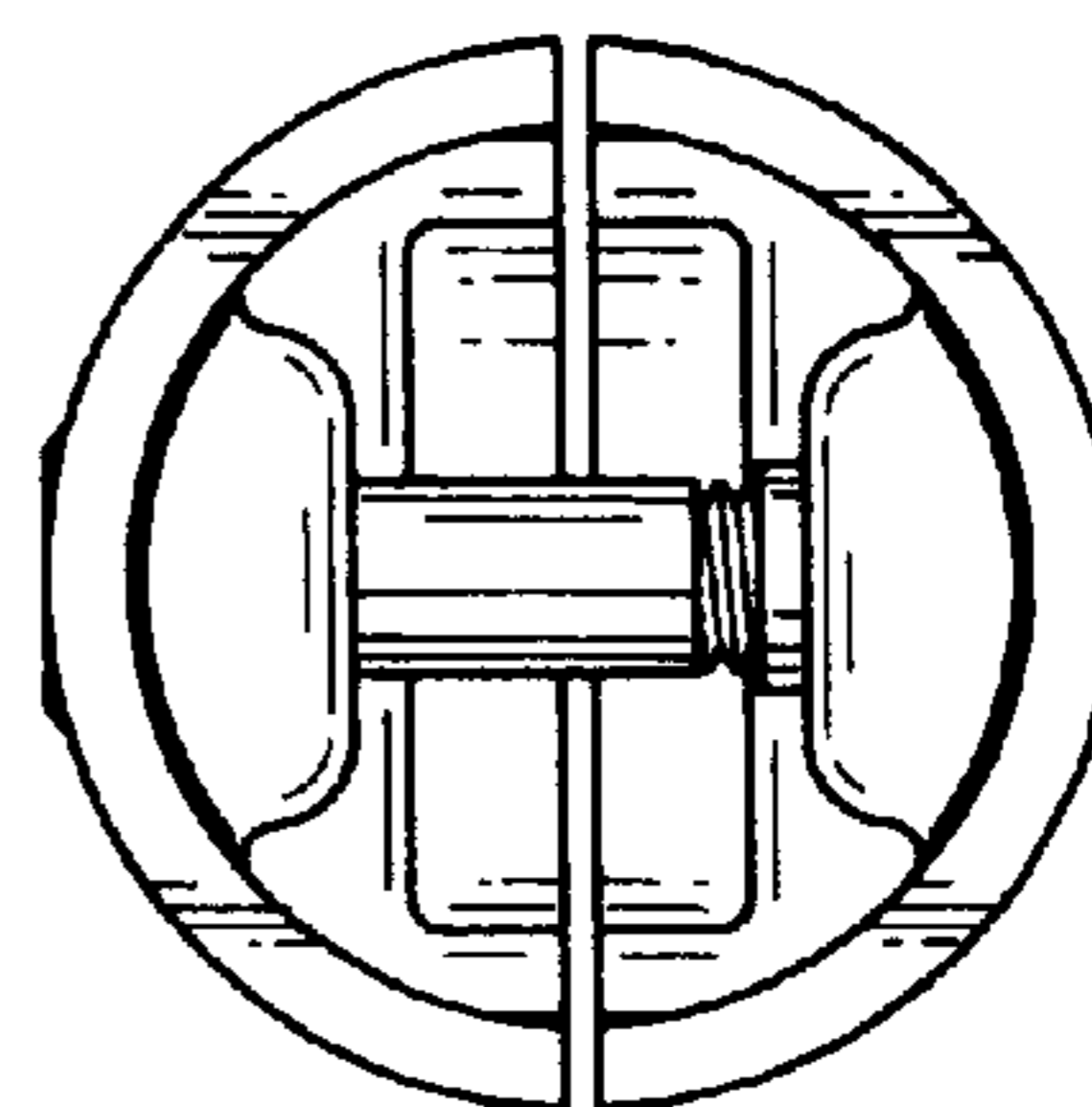


FIG. 7

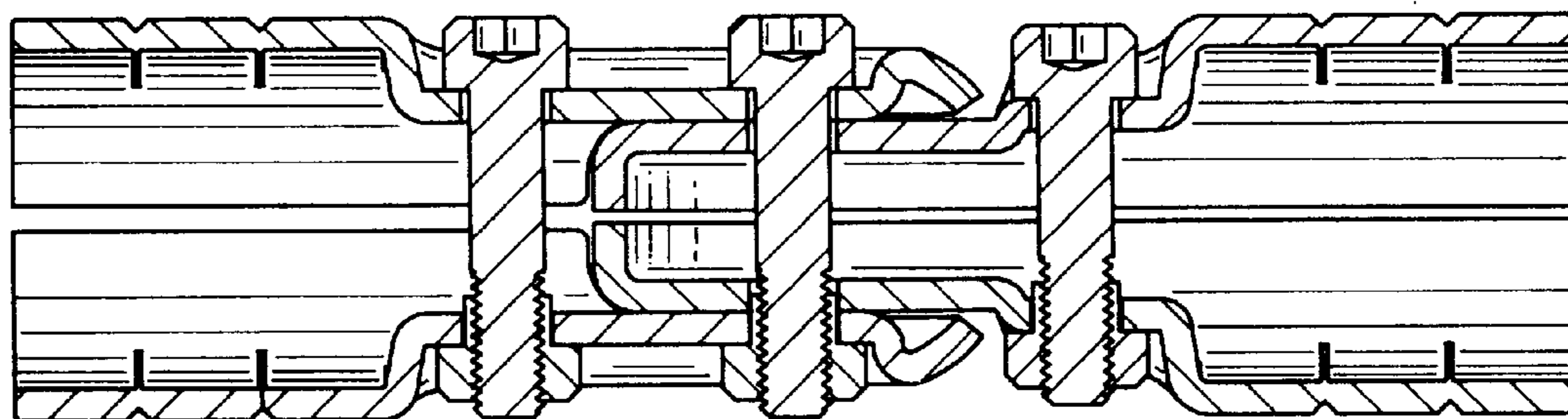


FIG. 8

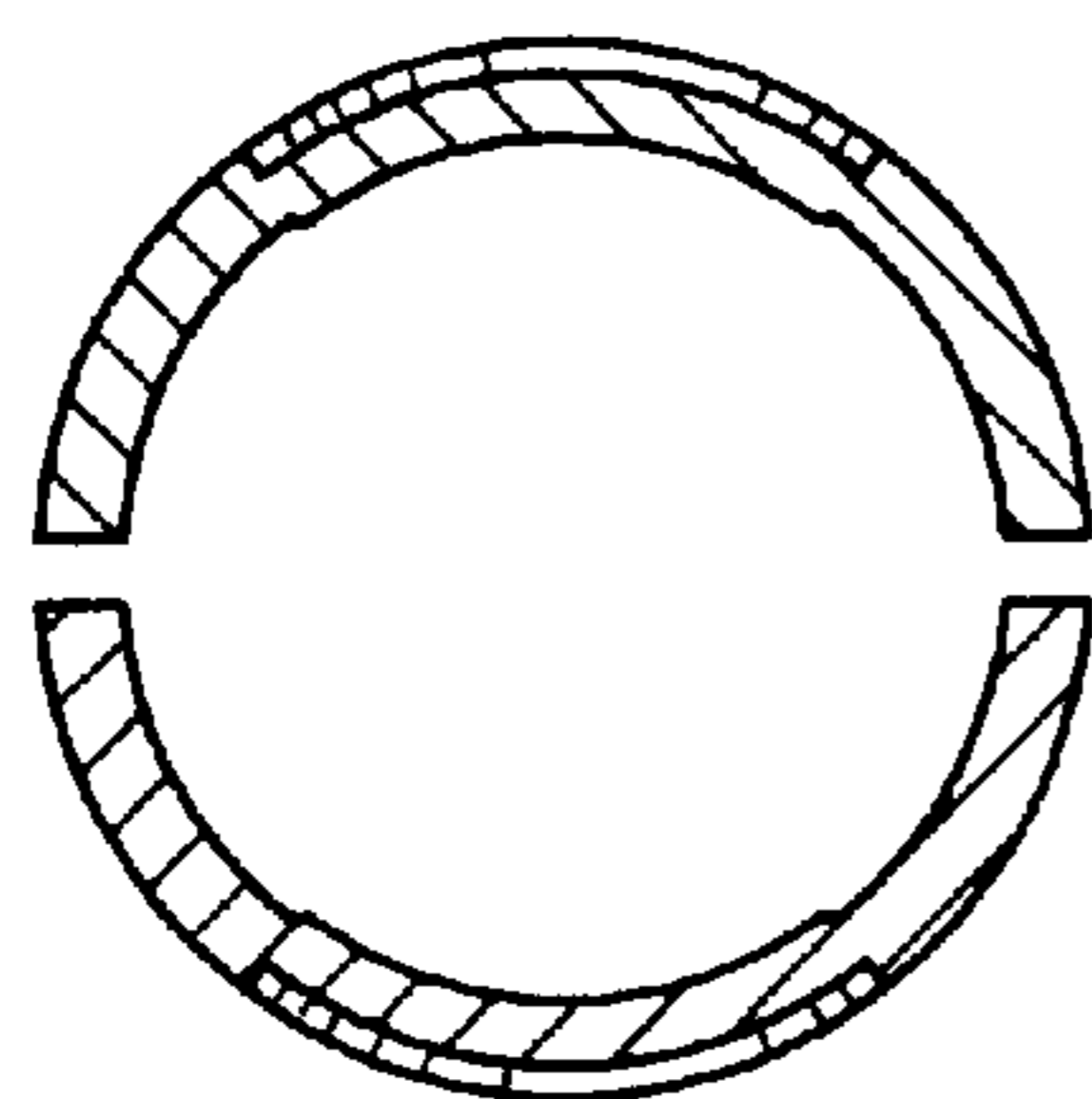


FIG. 9

