



US00D413056S

United States Patent [19] Sokurenko et al.

[11] Patent Number: Des. 413,056

[45] Date of Patent: ** Aug. 24, 1999

[54] SWELL LATCH

[75] Inventors: William E. Sokurenko, Glenolden;
Eric D. Hyp, Aspers, both of Pa.;
Ralph C. Ulisse, Glassboro, N.J.

[73] Assignee: Southco, Inc., Concordville, Pa.

[**] Term: 14 Years

[21] Appl. No.: 29/083,985

[22] Filed: Feb. 20, 1998

[51] LOC (6) Cl. 08-07

[52] U.S. Cl. D8/331; D8/341

[58] Field of Search D8/331, 330, 336,
D8/338, 341; 292/337, DIG. 30, DIG. 31,
137; 70/91, 97, 99, 208, 77-79, 101, 102

[56] References Cited

U.S. PATENT DOCUMENTS

D. 324,636	3/1992	Schlack et al.	D8/331
D. 328,231	7/1992	Hansen	D8/338
D. 352,885	11/1994	Holtman	D8/330
D. 359,223	6/1995	Gisiger	D8/331
D. 370,620	6/1996	Ziemer	D8/341
1,931,850	10/1933	Moore	292/113
2,094,779	10/1937	Donaldson	29/84
2,319,504	5/1943	Holman	292/1
2,691,543	10/1954	Morand	292/1
3,429,199	2/1969	Kenyon	74/548
3,847,423	11/1974	Gley	292/113
4,540,206	9/1985	Frame et al.	292/66
4,729,584	3/1988	Beckerer, Jr.	292/257

5,127,684	7/1992	Klotz et al.	292/113
5,368,347	11/1994	Holtman et al.	292/257
5,590,921	1/1997	Holtman et al.	292/257

FOREIGN PATENT DOCUMENTS

480534A1 4/1992 European Pat. Off. .

OTHER PUBLICATIONS

Southco Fasteners Handbook 40, "Swell Latches", pp. J2 & J3, 1990, Pennsylvania, 19331.

Southco Fasteners Handbook 40, "Fractional-Turn Fastener", p. J12, 1990, Pennsylvania, 19331.

Primary Examiner—Pamela Burgess

Attorney, Agent, or Firm—Paul & Paul

[57] CLAIM

The ornamental design for a swell latch, as shown and described.

DESCRIPTION

FIG. 1 is a rear perspective view of a swell latch showing our new design, with the handle in an opened position;

FIG. 2 is a top plan view thereof;

FIG. 3 is a right elevational view thereof;

FIG. 4 is a front elevational view thereof;

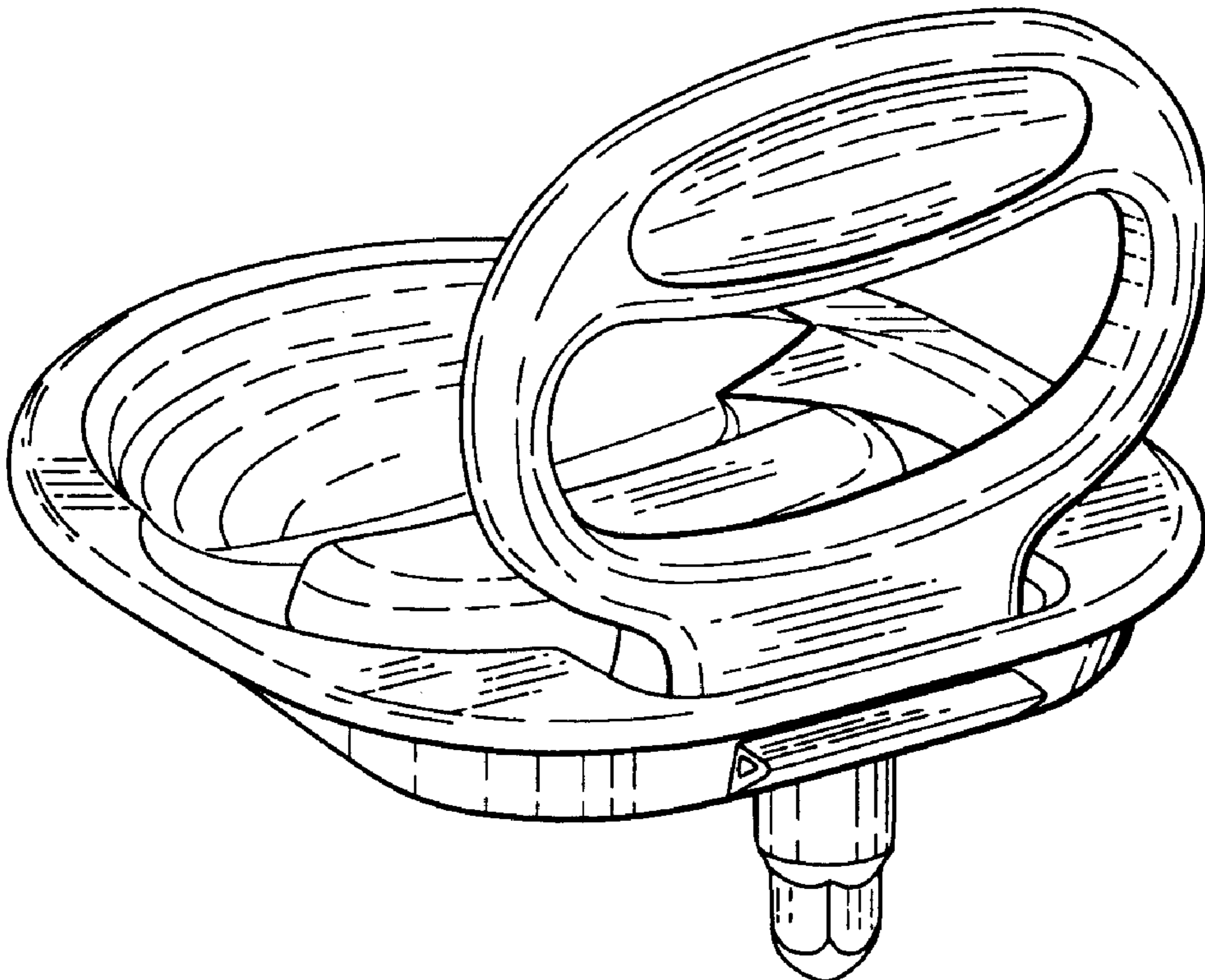
FIG. 5 is a rear perspective view thereof, with the handle in a closed position;

FIG. 6 is a top plan view thereof;

FIG. 7 is a right elevational view thereof; and,

FIG. 8 is a front elevational view thereof.

1 Claim, 3 Drawing Sheets



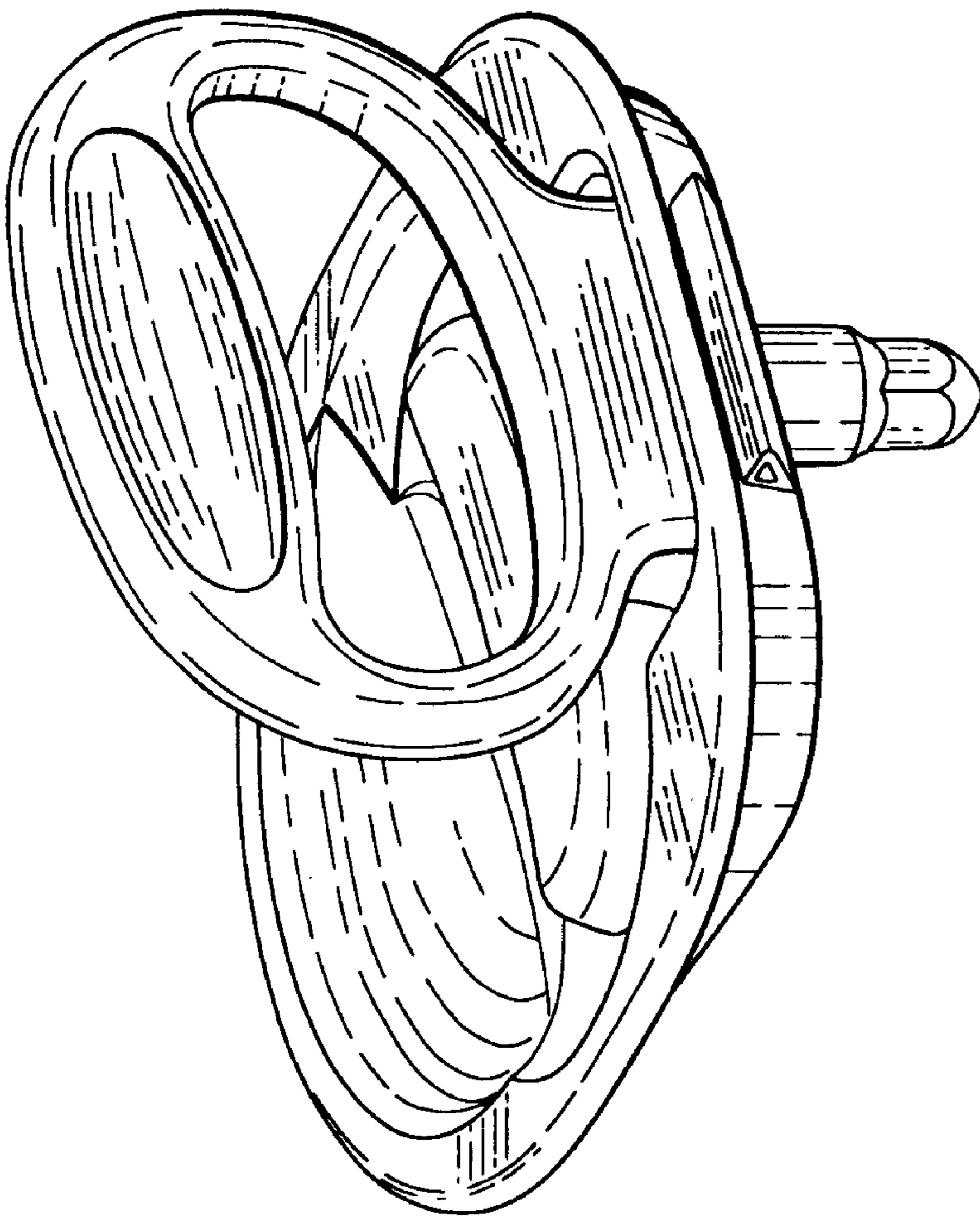


FIG. 1

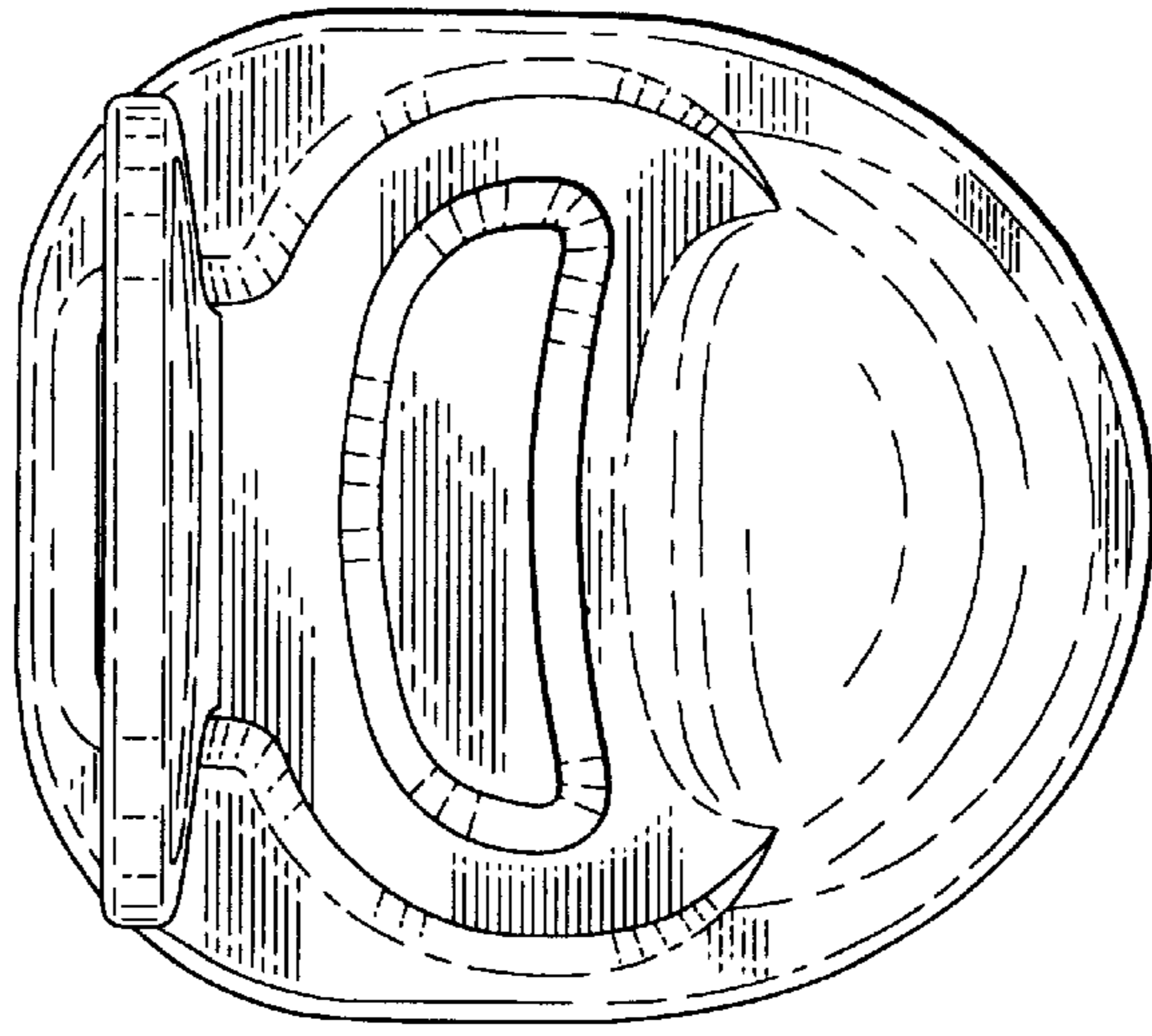


FIG. 2

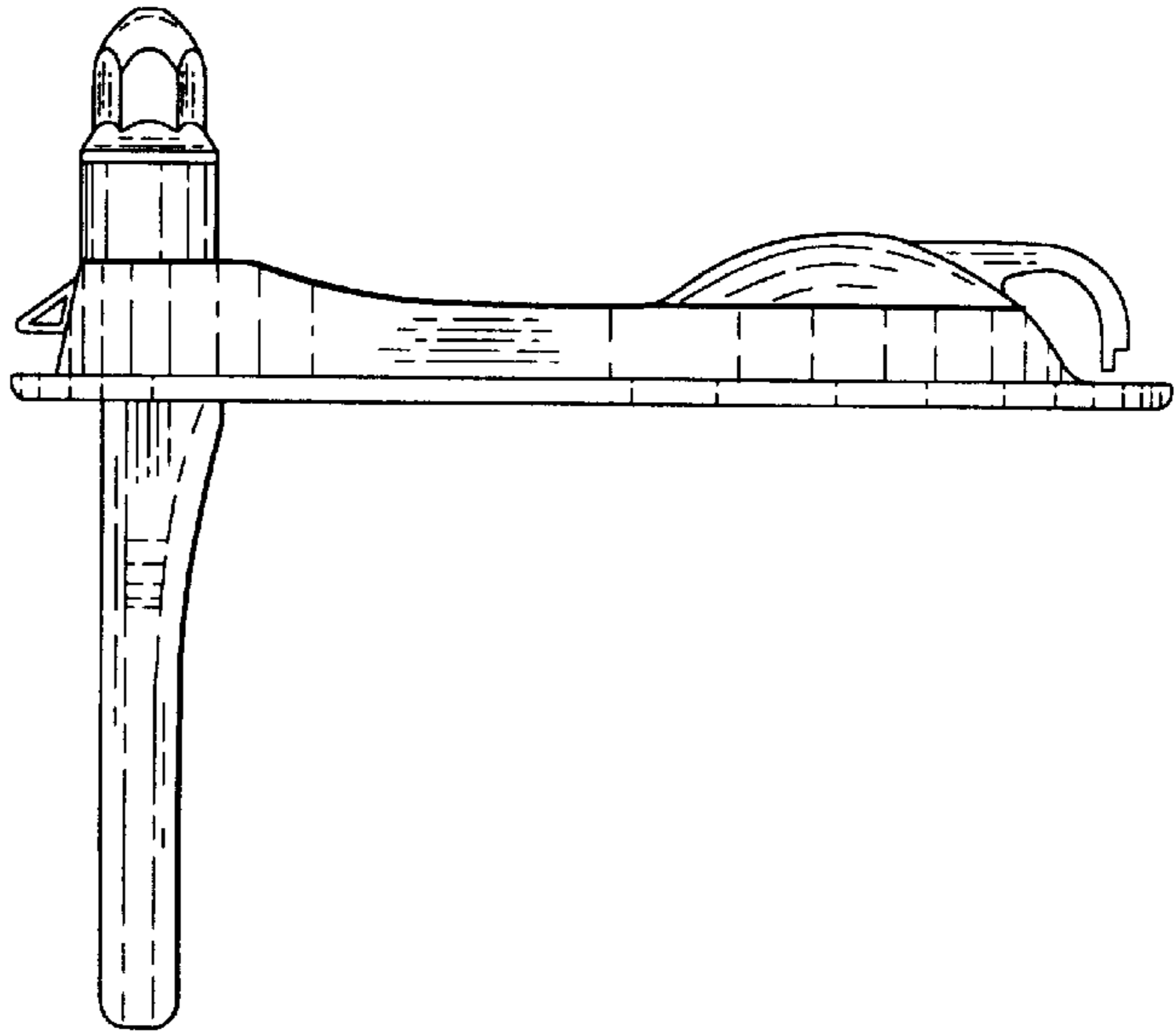


FIG. 3

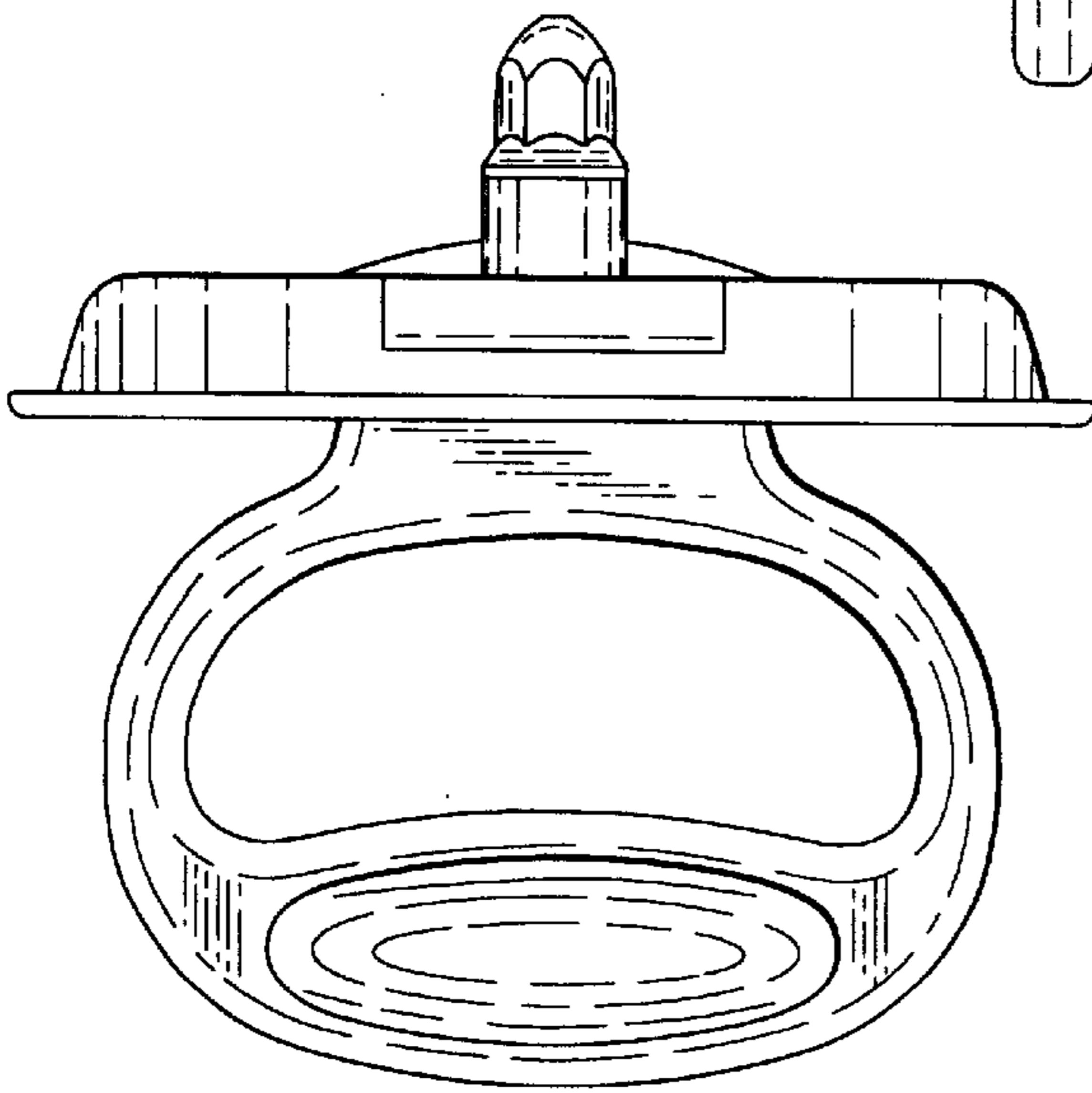


FIG. 4

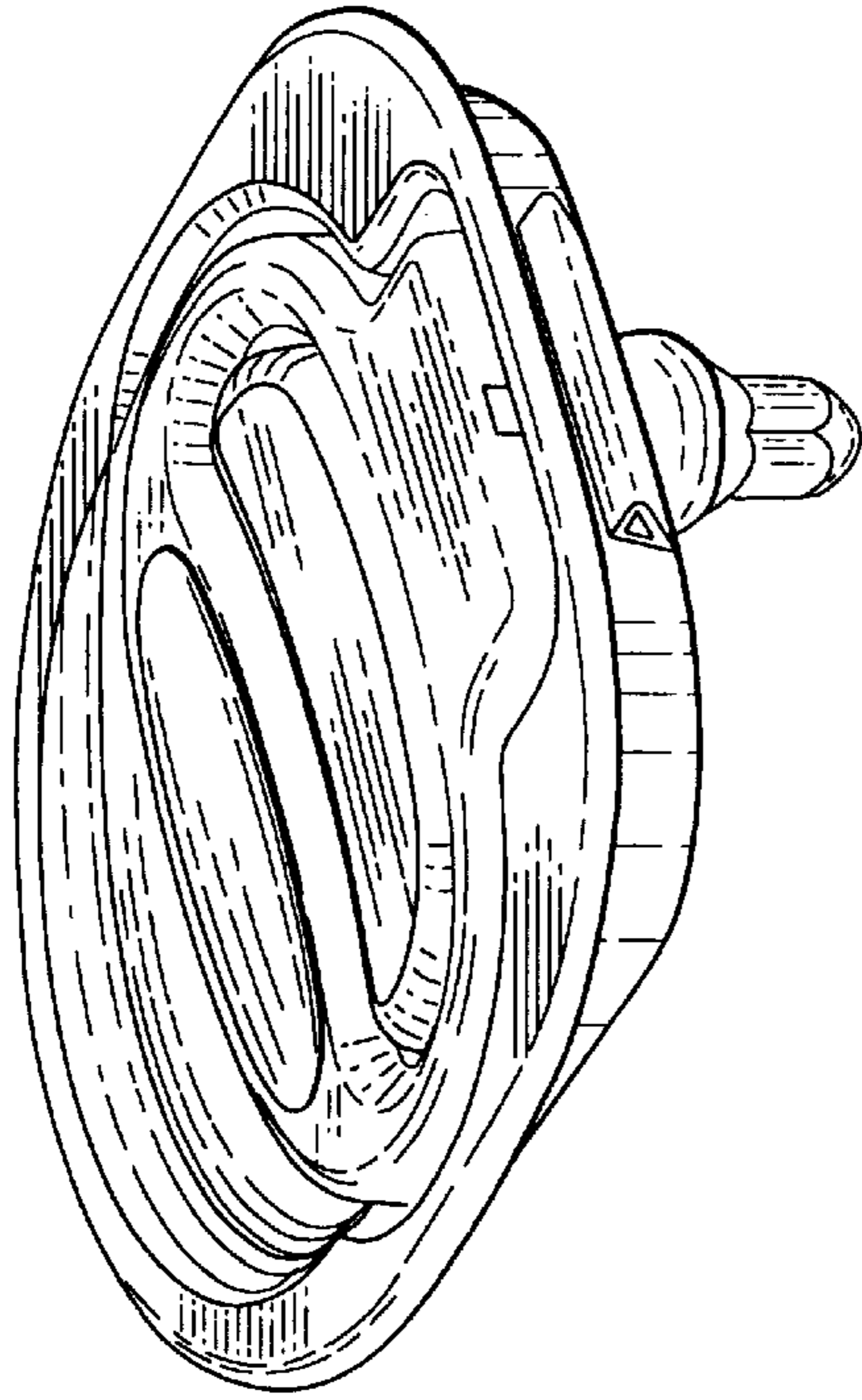


FIG. 5

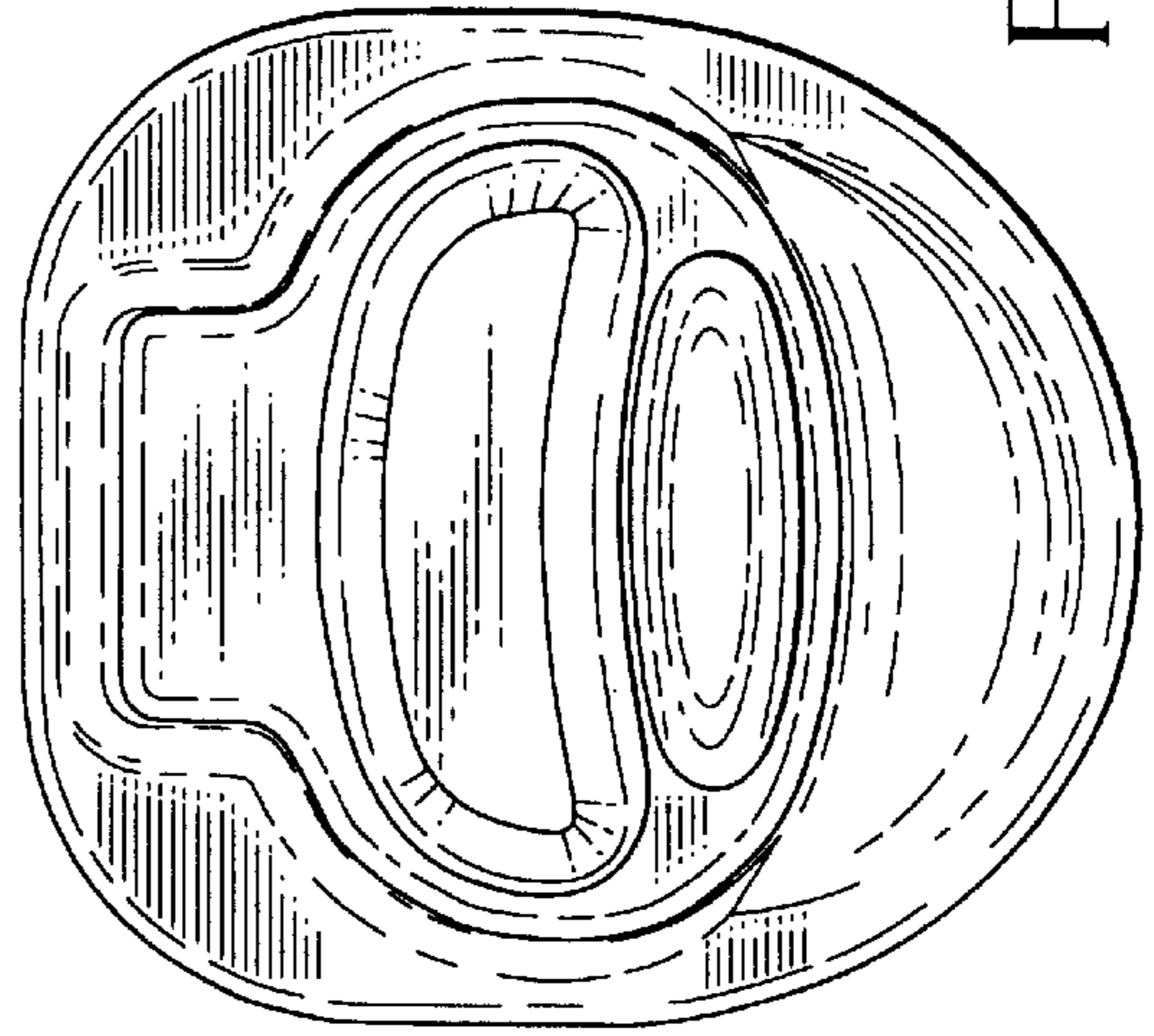


FIG. 6

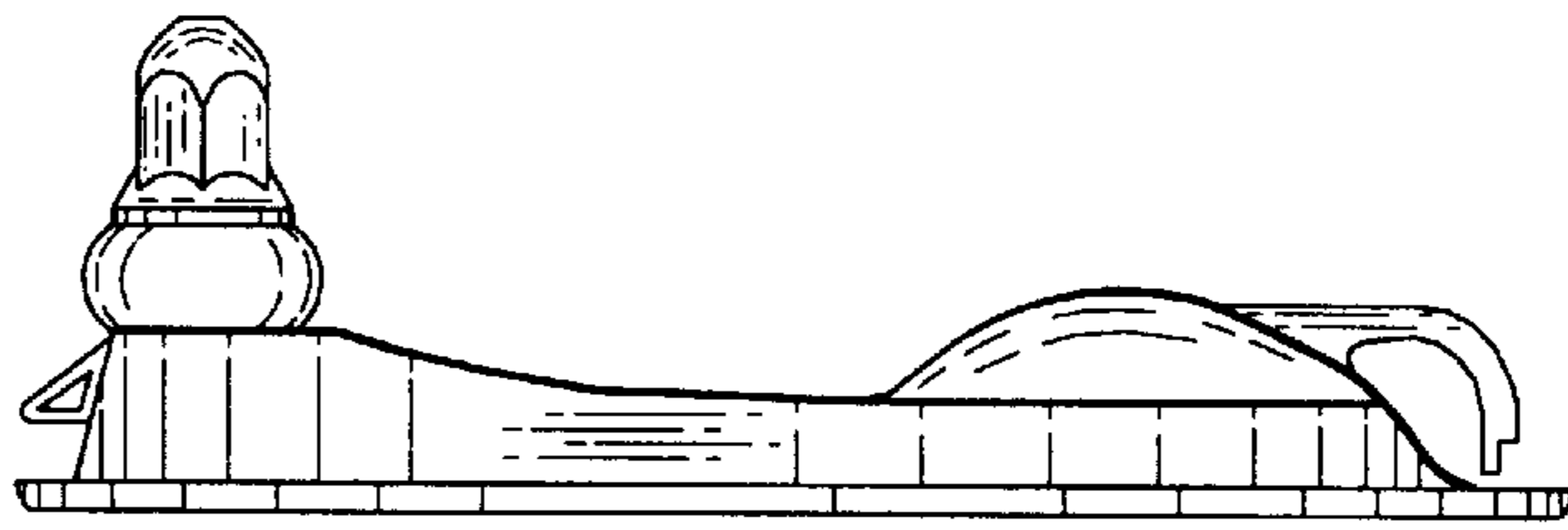


FIG. 7

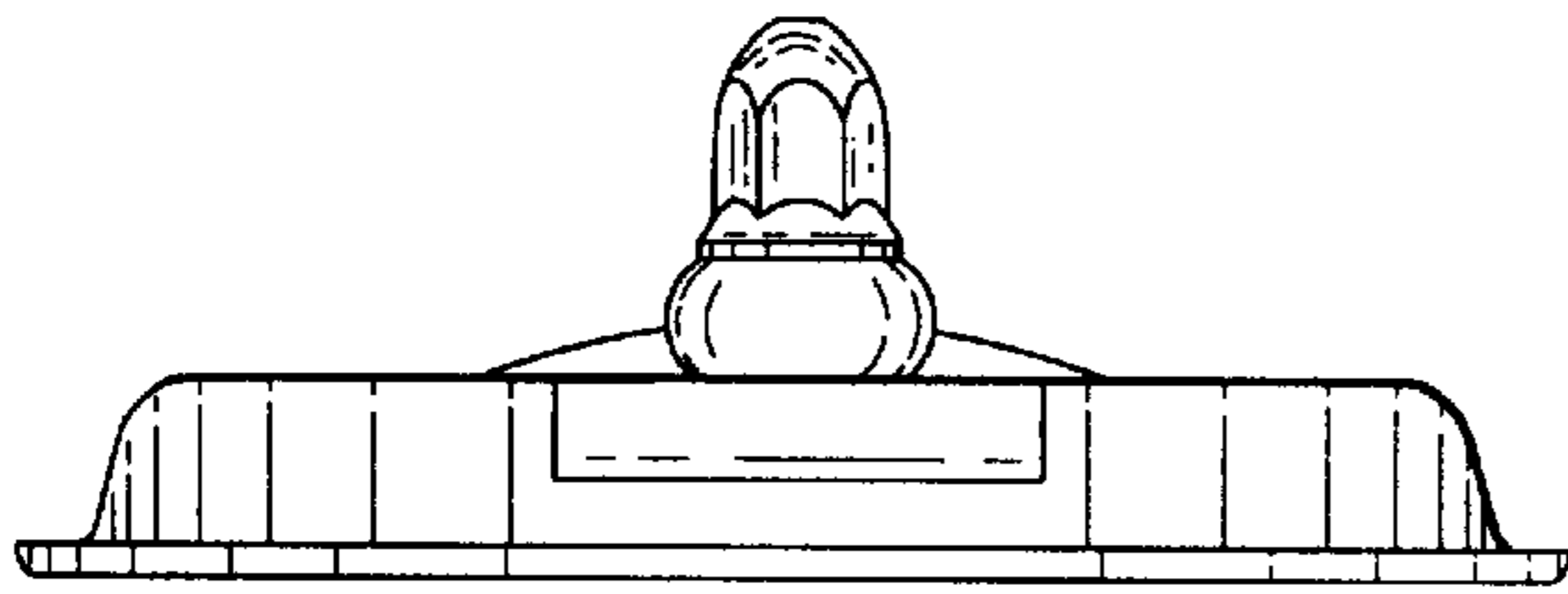


FIG. 8