



US00D413054S

# United States Patent [19] Anderson

[11] Patent Number: Des. 413,054

[45] Date of Patent: \*\* Aug. 24, 1999

[54] **COMBINED BOTTLE OPENER, CAN OPENER, AND CORKSCREW BRACE**

[75] Inventor: **Craig J. Anderson**, Gresham, Oreg.

[73] Assignee: **Leatherman Tool Group, Inc.**, Portland, Oreg.

[\*\*] Term: **14 Years**

[21] Appl. No.: **29/099,870**

[22] Filed: **Jan. 29, 1999**

[51] **LOC (6) Cl.** ..... **07-06**

[52] **U.S. Cl.** ..... **D8/40; D8/42**

[58] **Field of Search** ..... D8/33-43, 18, D8/19; 30/400-443; 81/3.07-3.49; 7/151-156

[56] **References Cited**

**U.S. PATENT DOCUMENTS**

D. 385,763	11/1997	Trivellato	.....	D8/43
D. 393,993	5/1998	De Bergen	.....	D8/43
637,048	11/1899	Toulotte	.....	81/3.35
4,437,359	3/1984	Dejoux et al.	.....	7/154 X
5,007,310	4/1991	Cellini	.....	81/3.45
5,363,725	11/1994	Cellini	.....	81/3.09
5,454,282	10/1995	Del Mistro	.....	81/3.48

5,829,965 11/1998 Rubalcava ..... 7/151 X

*Primary Examiner*—Jeffrey Asch  
*Attorney, Agent, or Firm*—Chernoff, Vilhauer, McClung & Stenzel, LLP

[57] **CLAIM**

The ornamental design for a combined bottle opener, can opener, and corkscrew brace, as shown and described.

**DESCRIPTION**

FIG. 1 is an isometric view of a combined bottle opener, can opener, and corkscrew brace showing my new design, wherein a broken line depiction of portions of a pair of handles for a multipurpose tool is included to illustrate the environment in which the combined bottle opener, can opener, and corkscrew brace is utilized and forms no part of the claimed design;

FIG. 2 is a right side elevational view of the combined bottle opener, can opener, and corkscrew brace shown in FIG. 1;

FIG. 3 is a top plan view thereof;

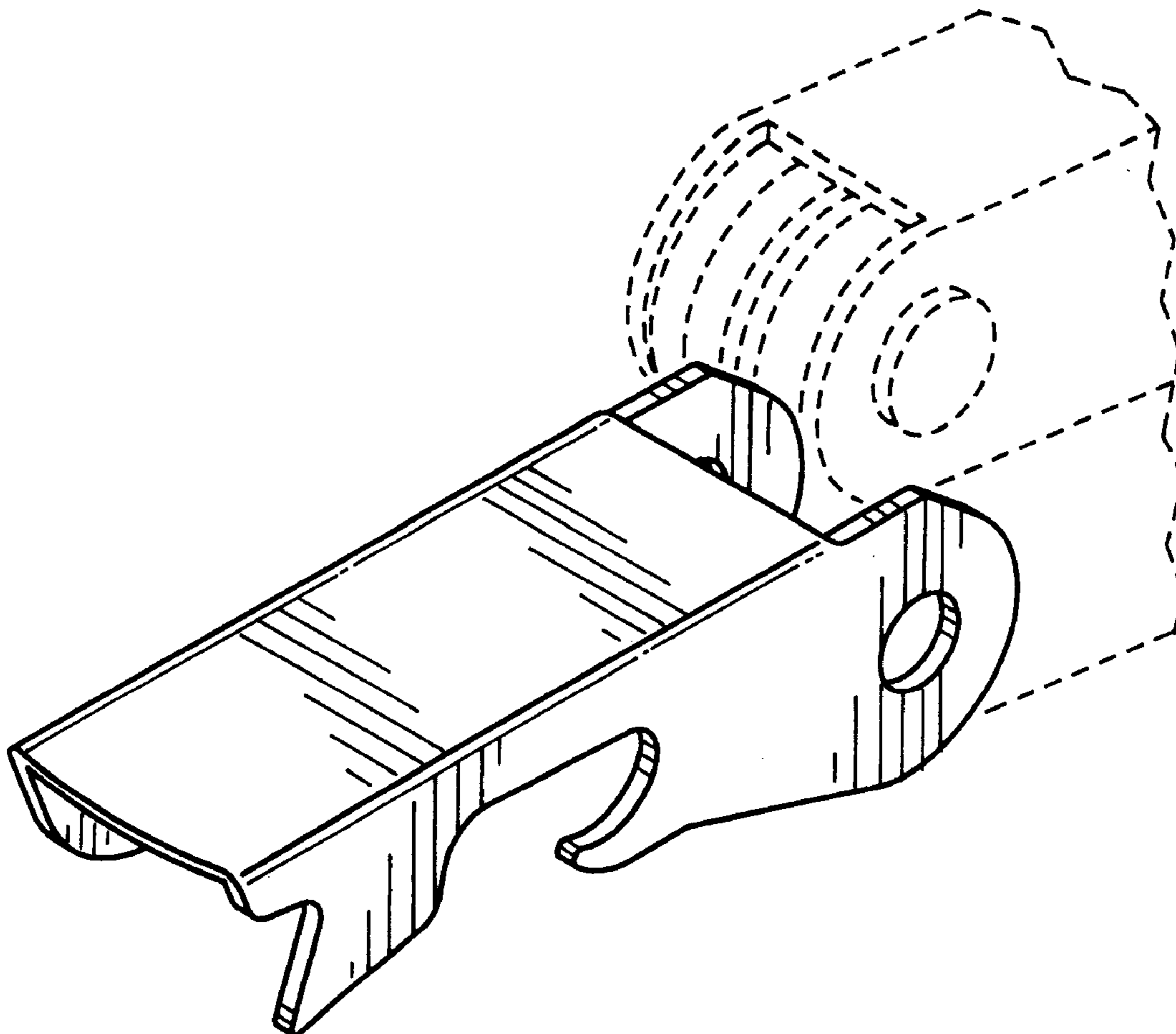
FIG. 4 is a left side elevational view thereof;

FIG. 5 is a bottom plan view thereof;

FIG. 6 is a front end view thereof; and,

FIG. 7 is a rear end view thereof.

**1 Claim, 1 Drawing Sheet**



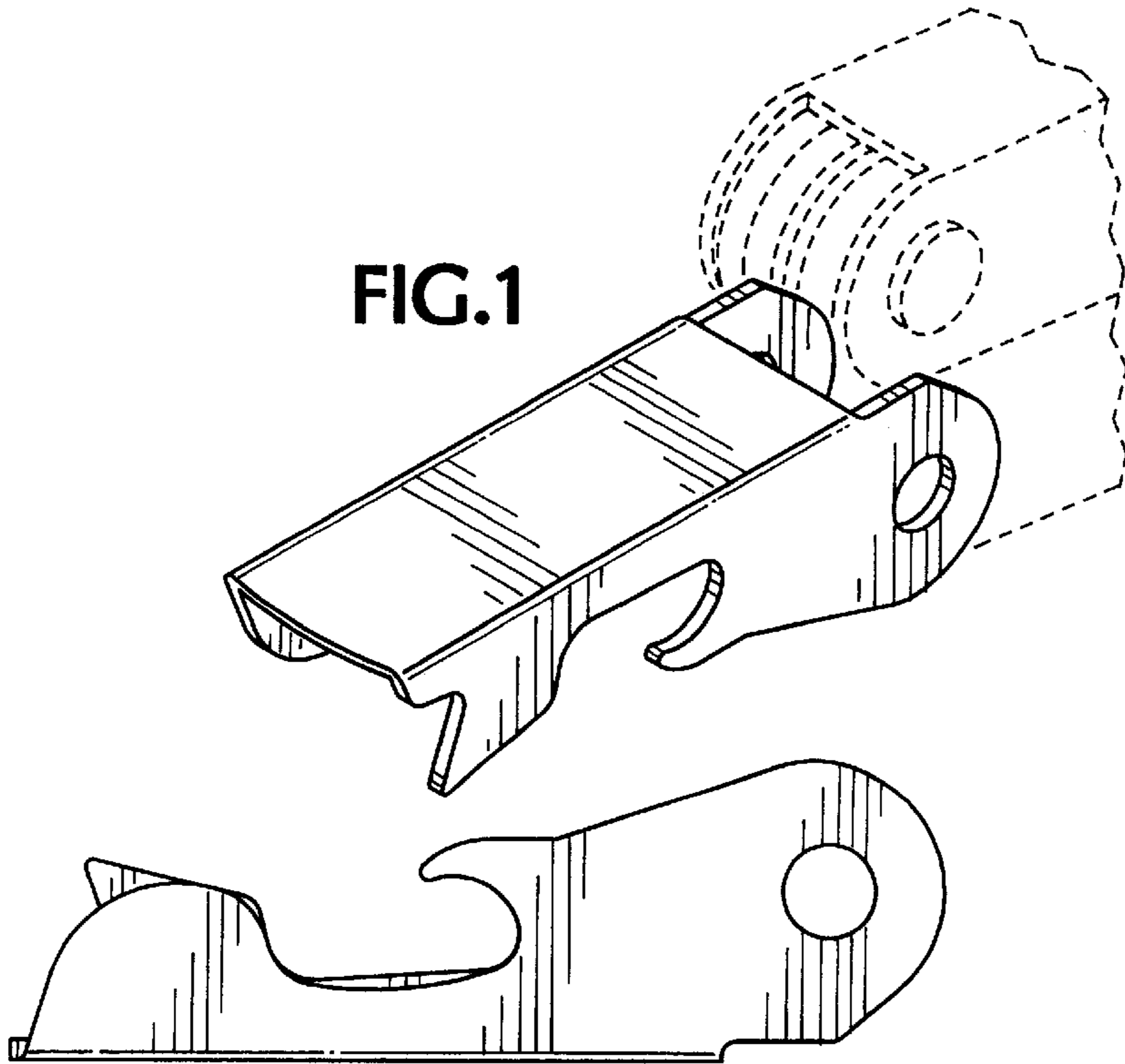


FIG. 1



FIG. 2

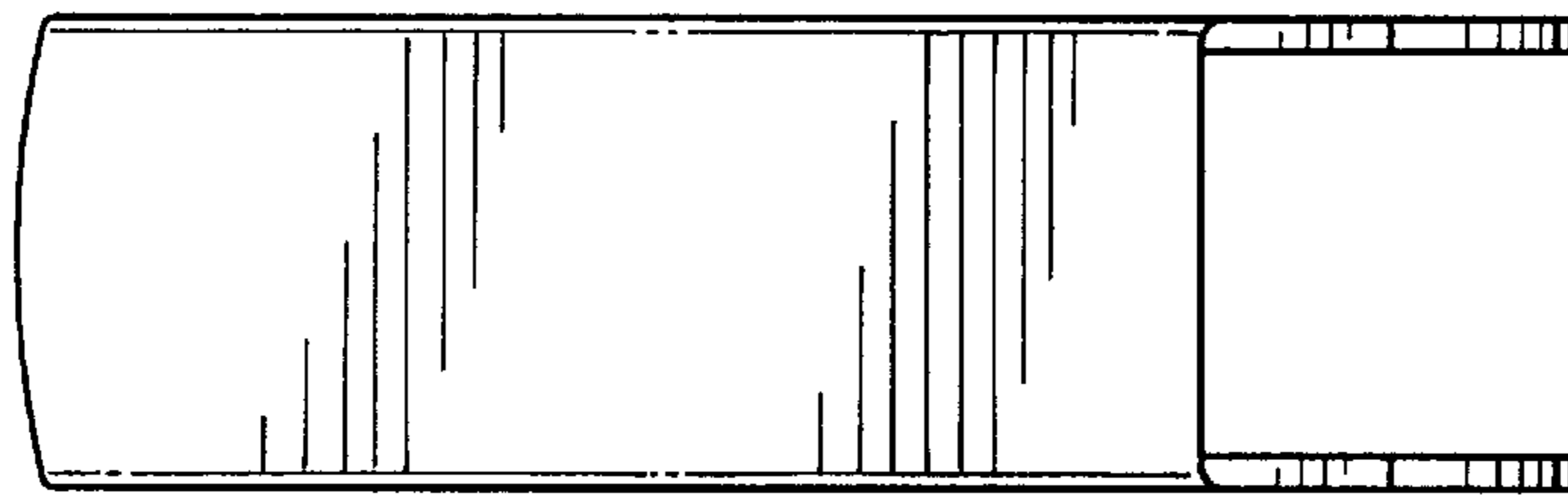


FIG. 3

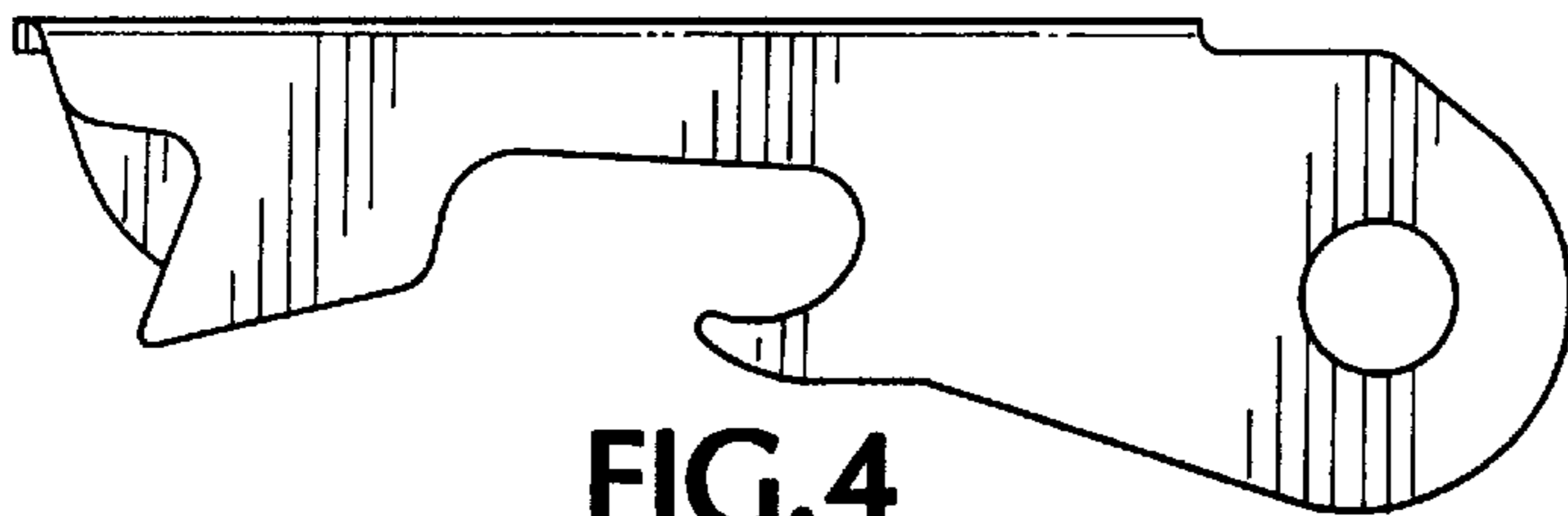


FIG. 4

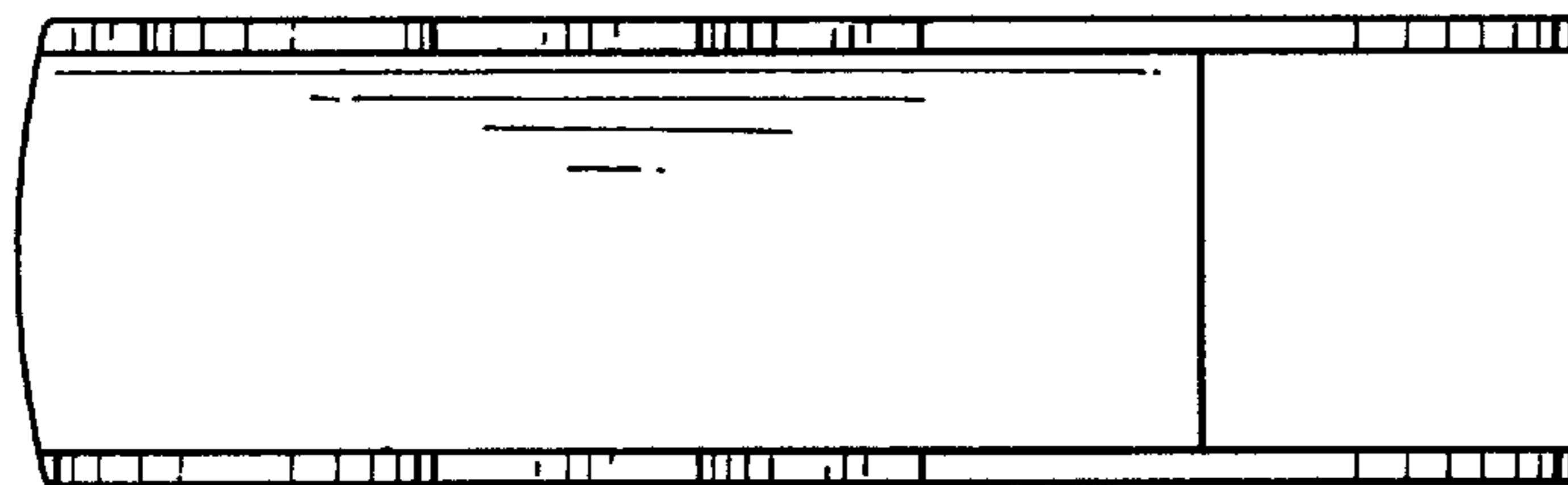


FIG. 5

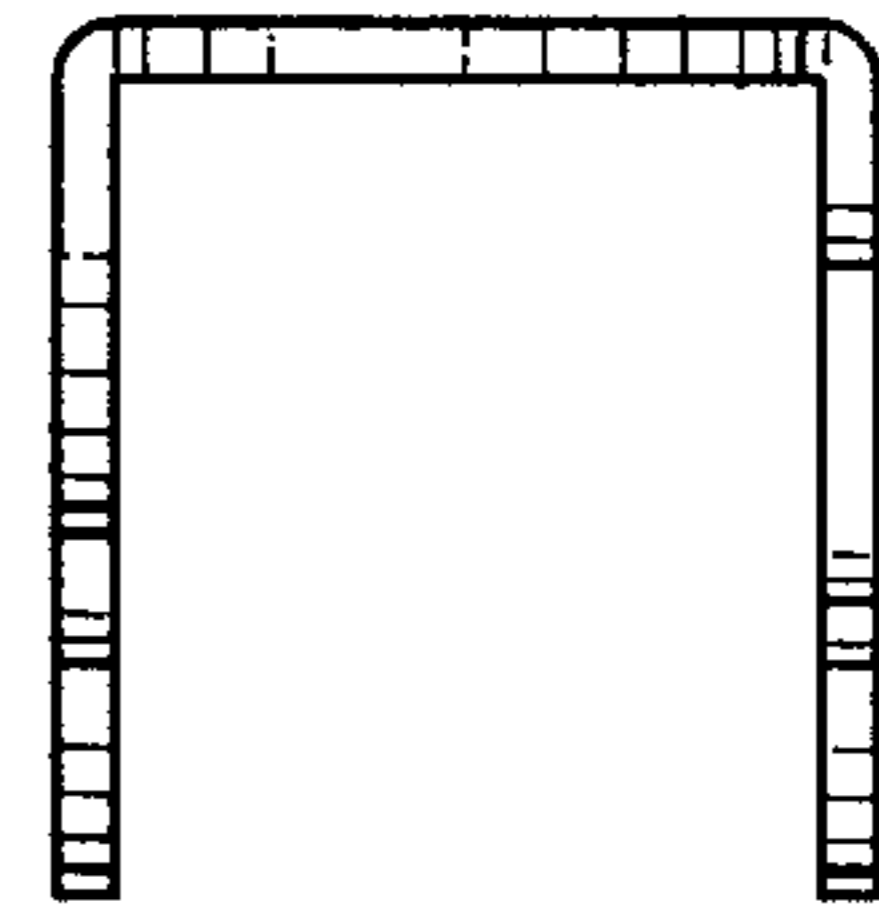


FIG. 6

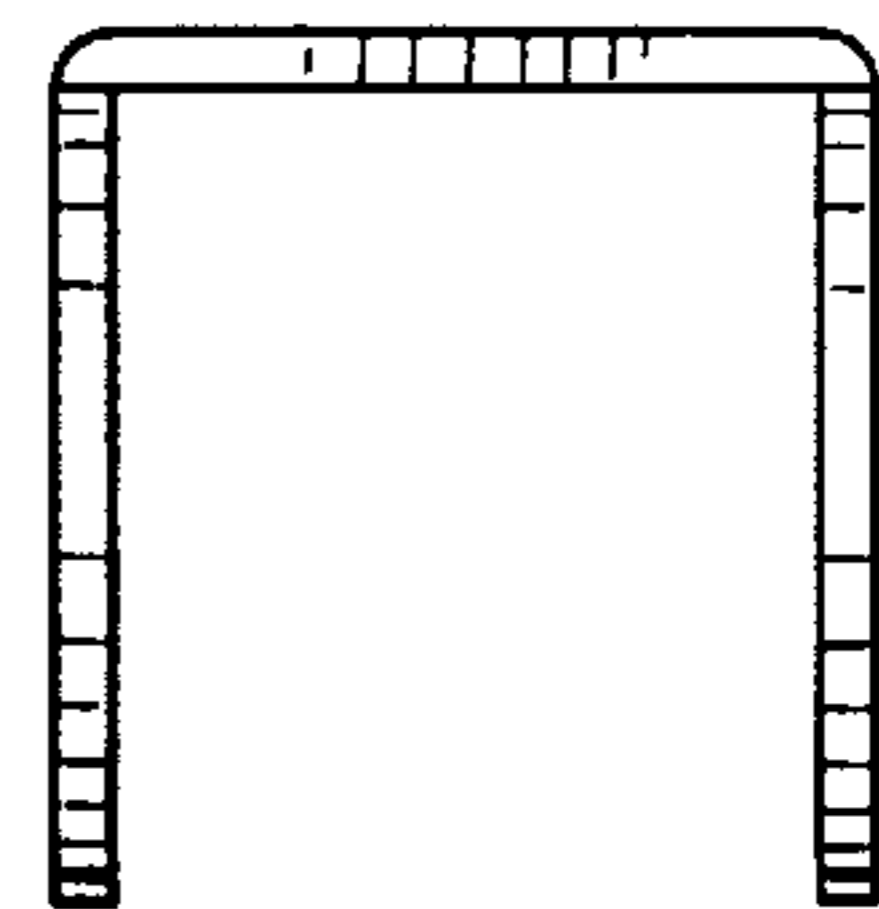


FIG. 7