



US00D413053S

United States Patent [19]

Mashine et al.

[11] Patent Number: Des. 413,053

[45] Date of Patent: ** Aug. 24, 1999

[54] GAS BURNER

[75] Inventors: **Hiroyoshi Mashine; Masahiko Kamegamori**, both of Saitama-ken, Japan

[73] Assignee: **Yoshinaga Tecnica Corporation**, Japan

[**] Term: **14 Years**

[21] Appl. No.: **29/088,315**

[22] Filed: **May 20, 1998**

[30] Foreign Application Priority Data

Dec. 18, 1997 [JP] Japan 9-78839

[51] LOC (6) Cl. **08-05**

[52] U.S. Cl. **D8/29.1**

[58] Field of Search D8/14.1, 29.1, D8/68, 70; D27/141; 219/60.2, 74, 136, 137.42; 222/189.01; 228/19, 902

[56] References Cited

U.S. PATENT DOCUMENTS

- D. 279,814 7/1985 Gaines .
- D. 296,070 6/1988 Cunningham D8/29.1
- D. 322,742 12/1991 Spratt D8/29.1
- D. 388,297 12/1997 Bittenbender D8/29.1

D. 388,298 12/1997 Jerdee et al. D8/29.1

FOREIGN PATENT DOCUMENTS

- 911910 8/1994 Japan .
- 925131 2/1995 Japan .

Primary Examiner—B. J. Bullock
Attorney, Agent, or Firm—Ostrolenk, Faber, Gerb & Soffen, LLP

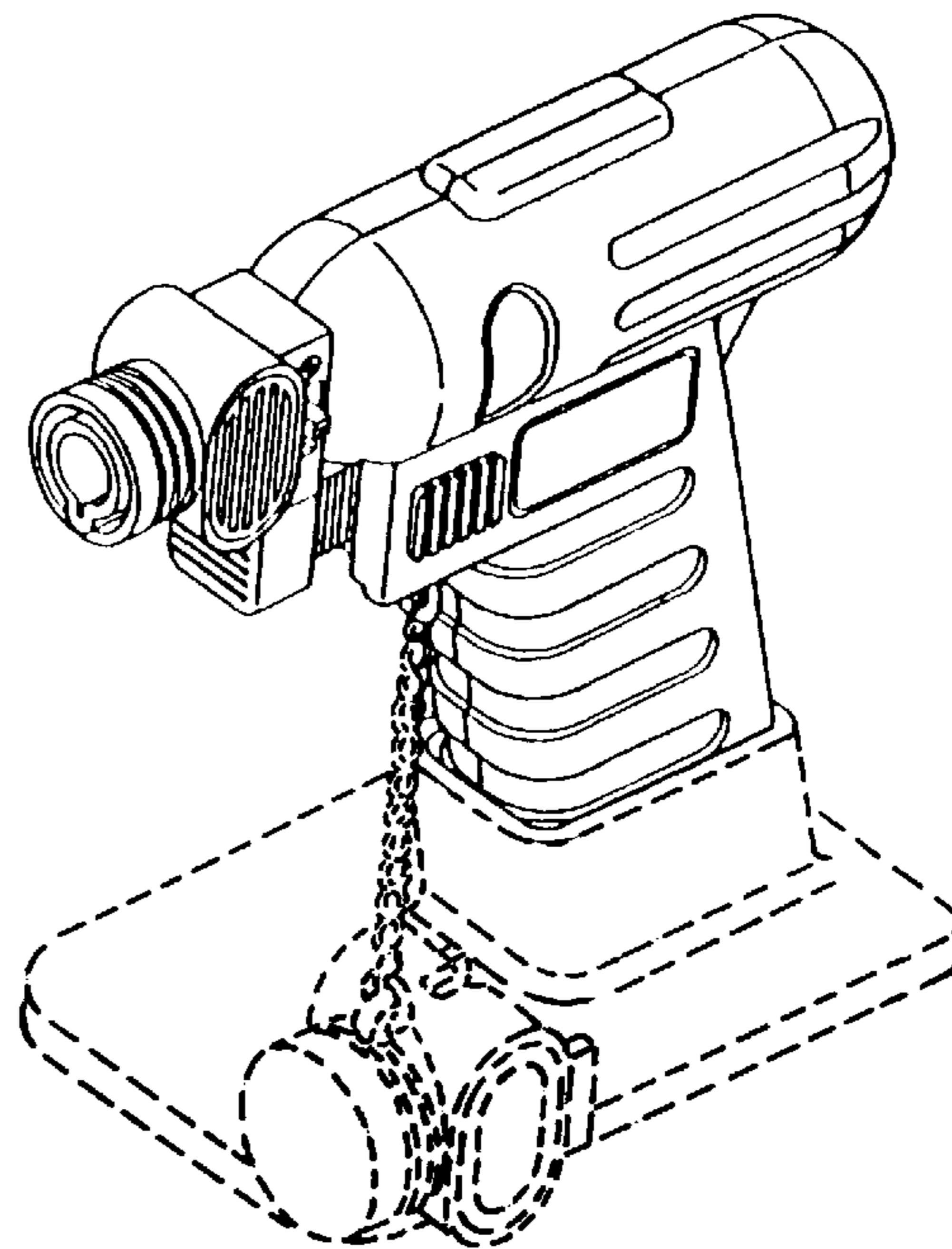
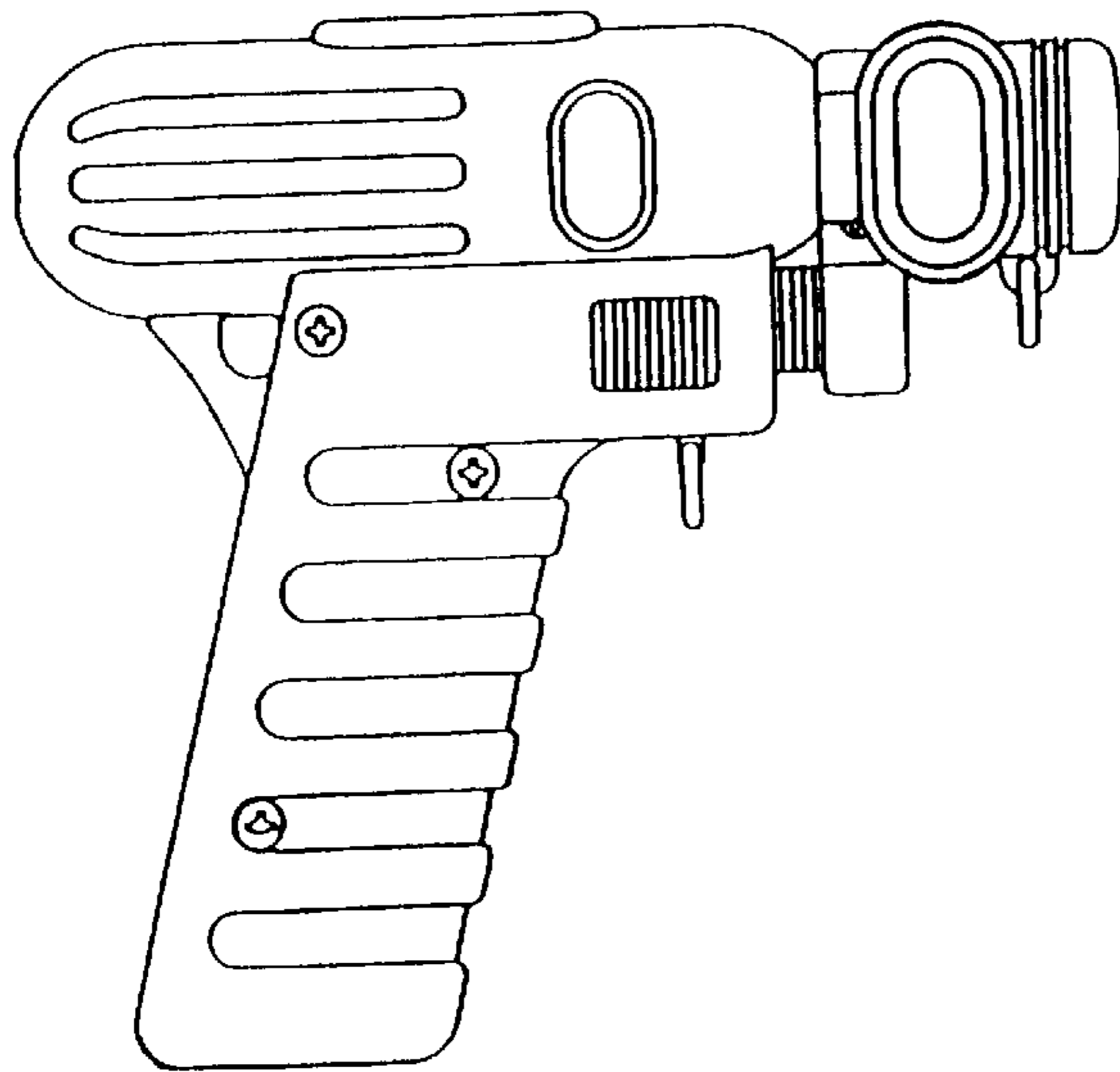
[57] CLAIM

The ornamental design for gas burner, as shown and described.

DESCRIPTION

FIG. 1 is a front view of gas burner;
 FIG. 2 is a left-side view thereof;
 FIG. 3 is a right-side view thereof;
 FIG. 4 is a top view thereof;
 FIG. 5 is a bottom view thereof;
 FIG. 6 is a rear view thereof;
 FIG. 7 is a rear view thereof showing the state of removal of a cap of gas burner;
 FIG. 8 is a left-side view thereof; and,
 FIG. 9 is a perspective view thereof, the broken lines being shown for illustrative purposes and forming no part thereof.

1 Claim, 2 Drawing Sheets



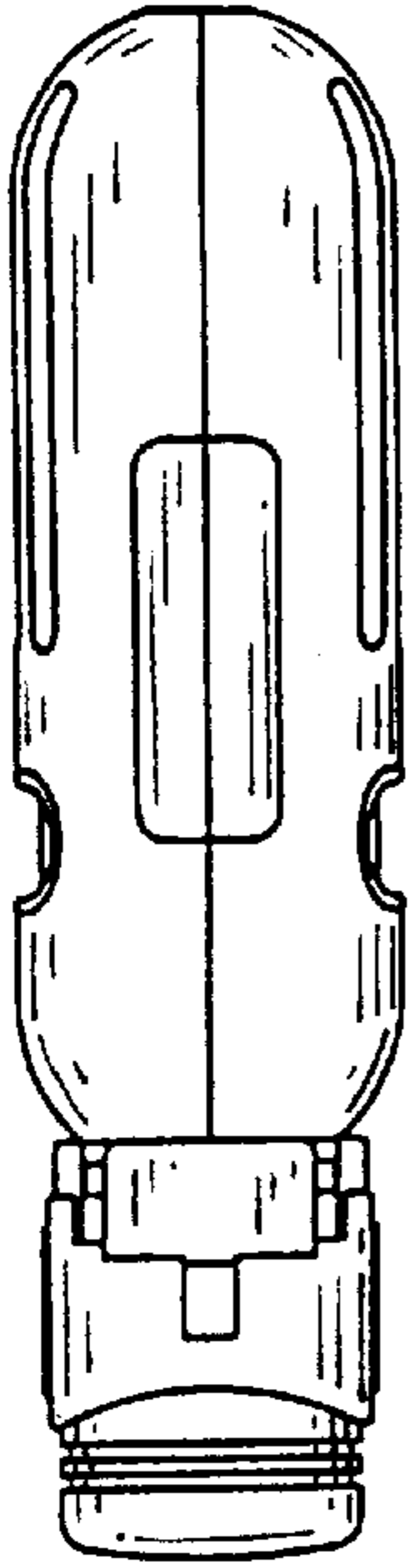


FIG. 4

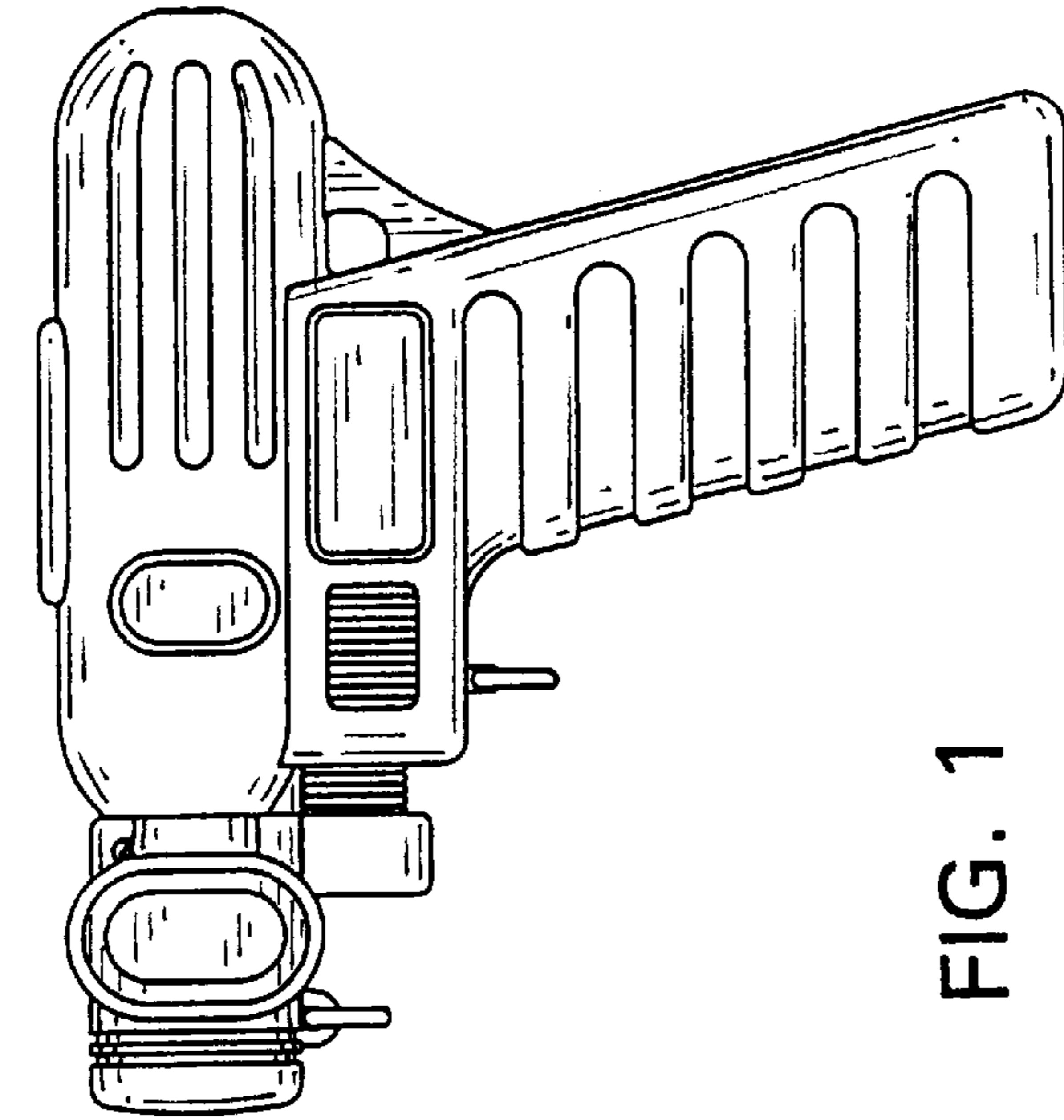


FIG. 1

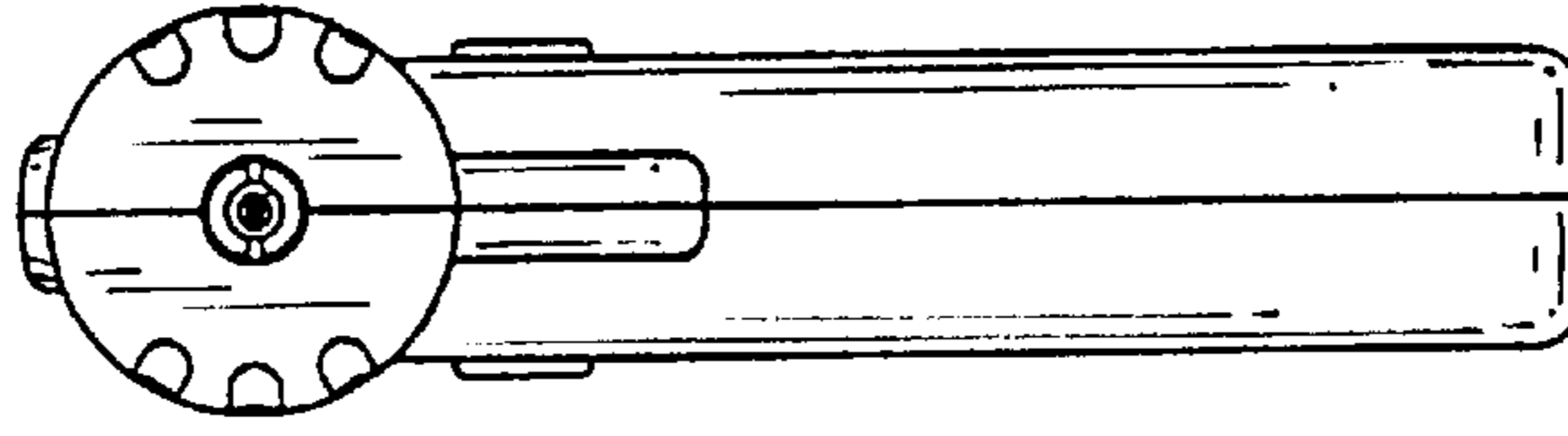


FIG. 3

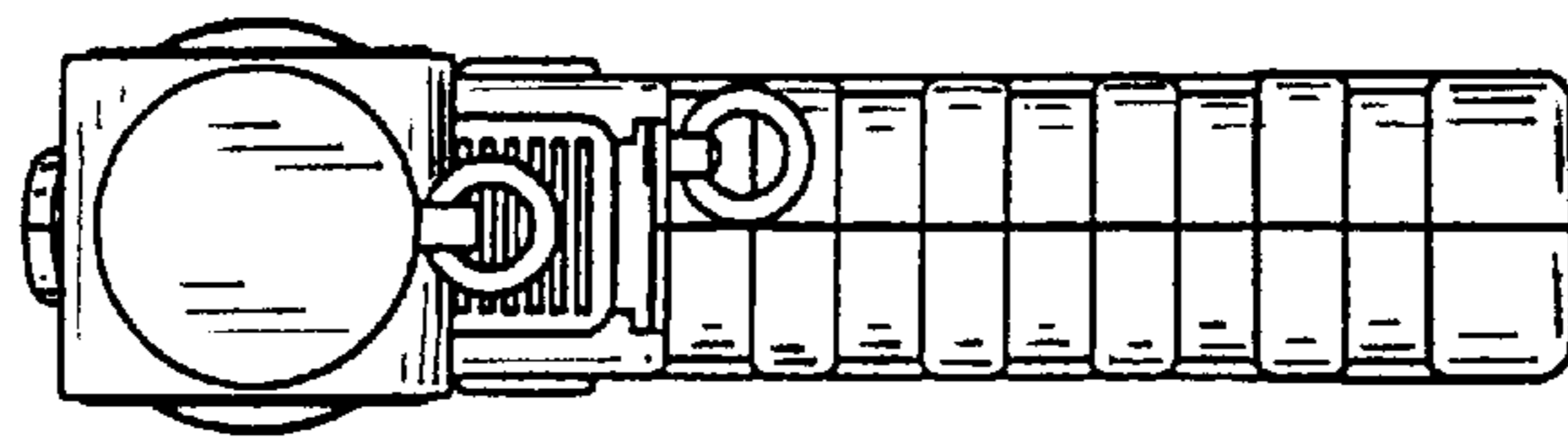


FIG. 2

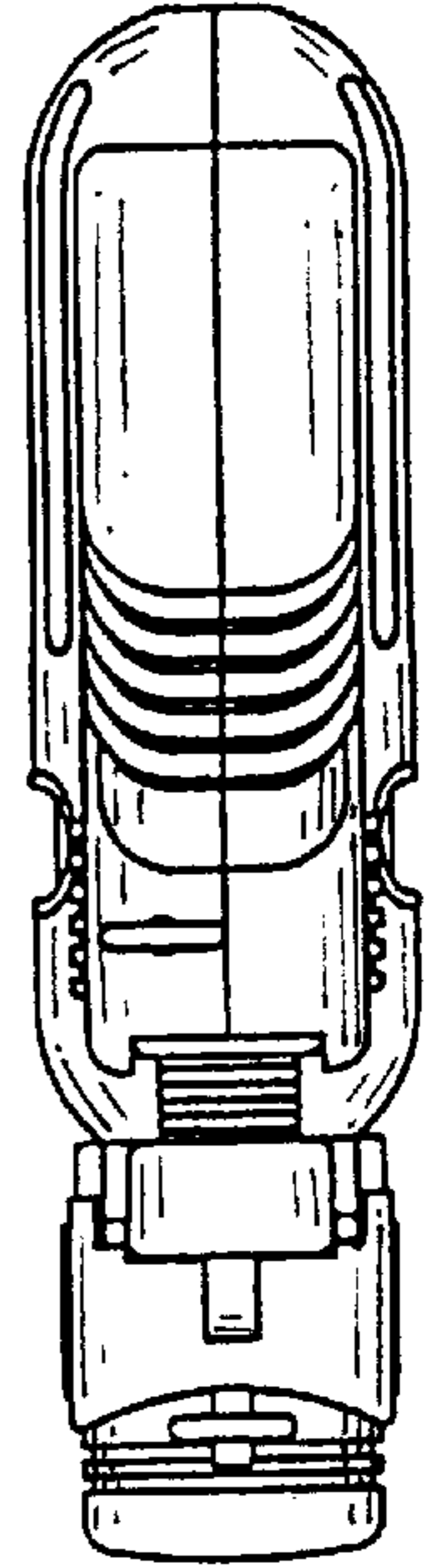


FIG. 5

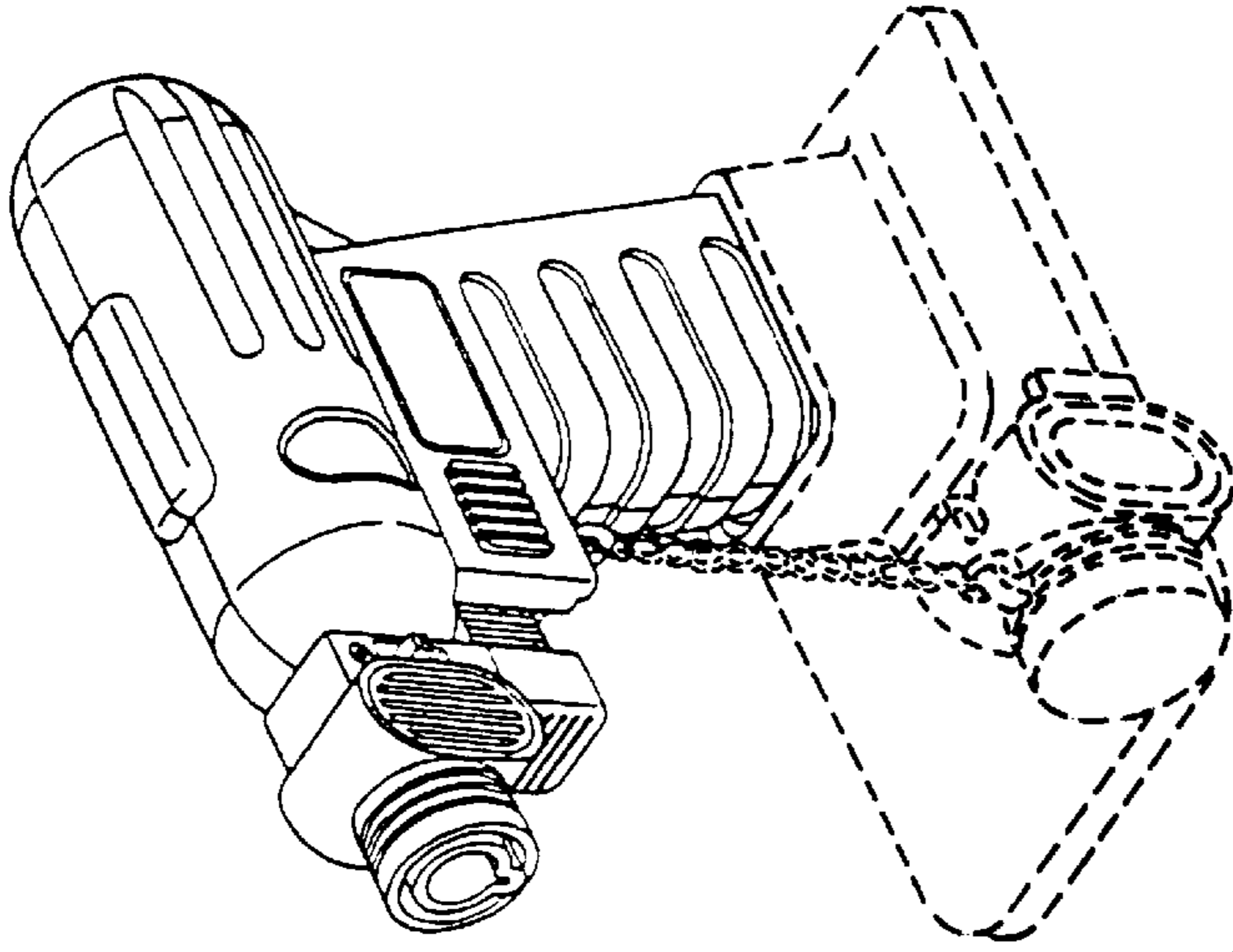


FIG. 9

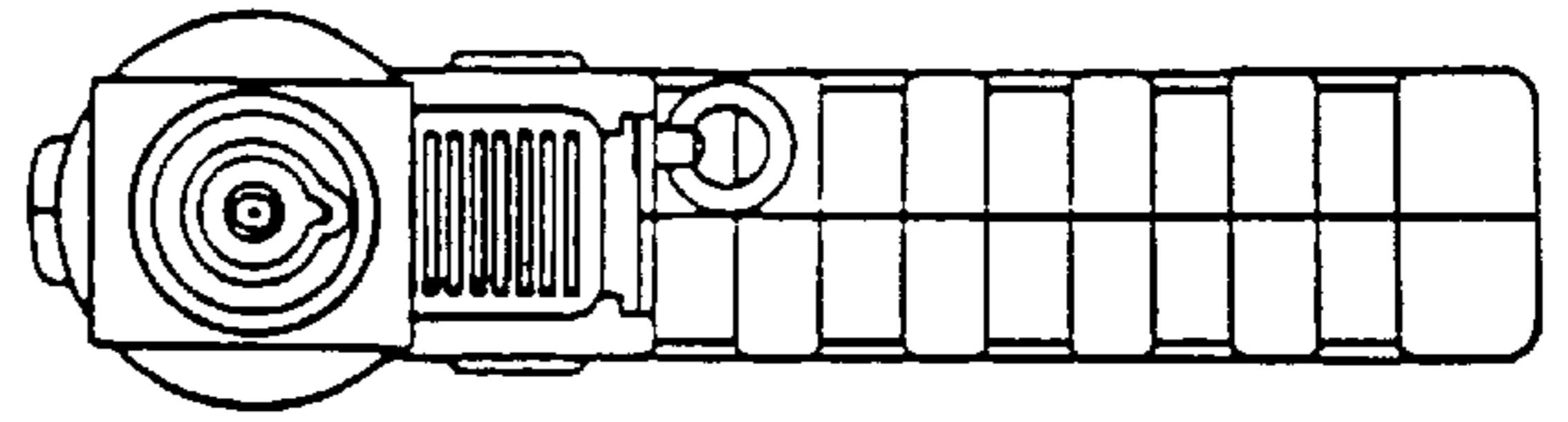


FIG. 8

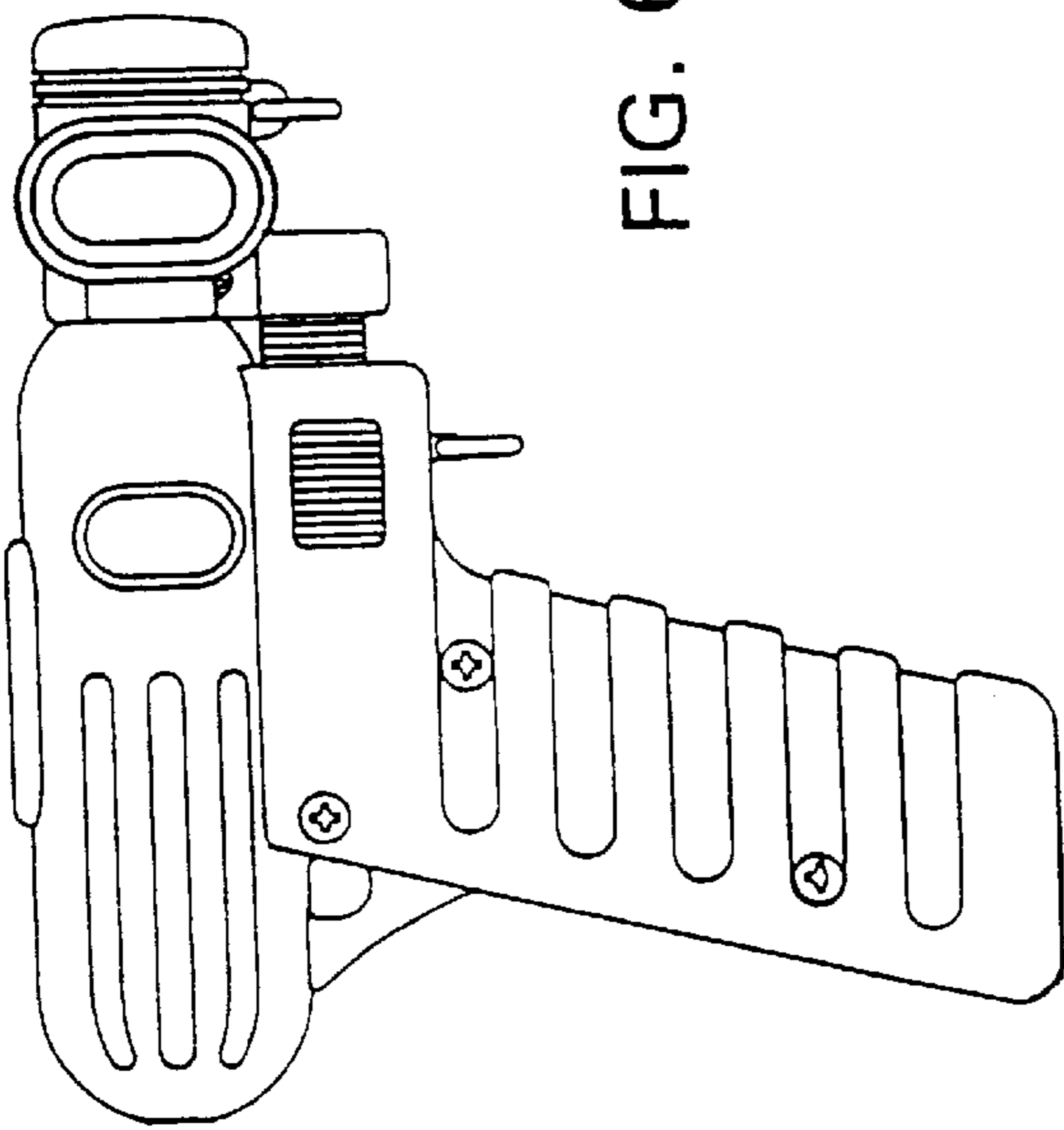


FIG. 6

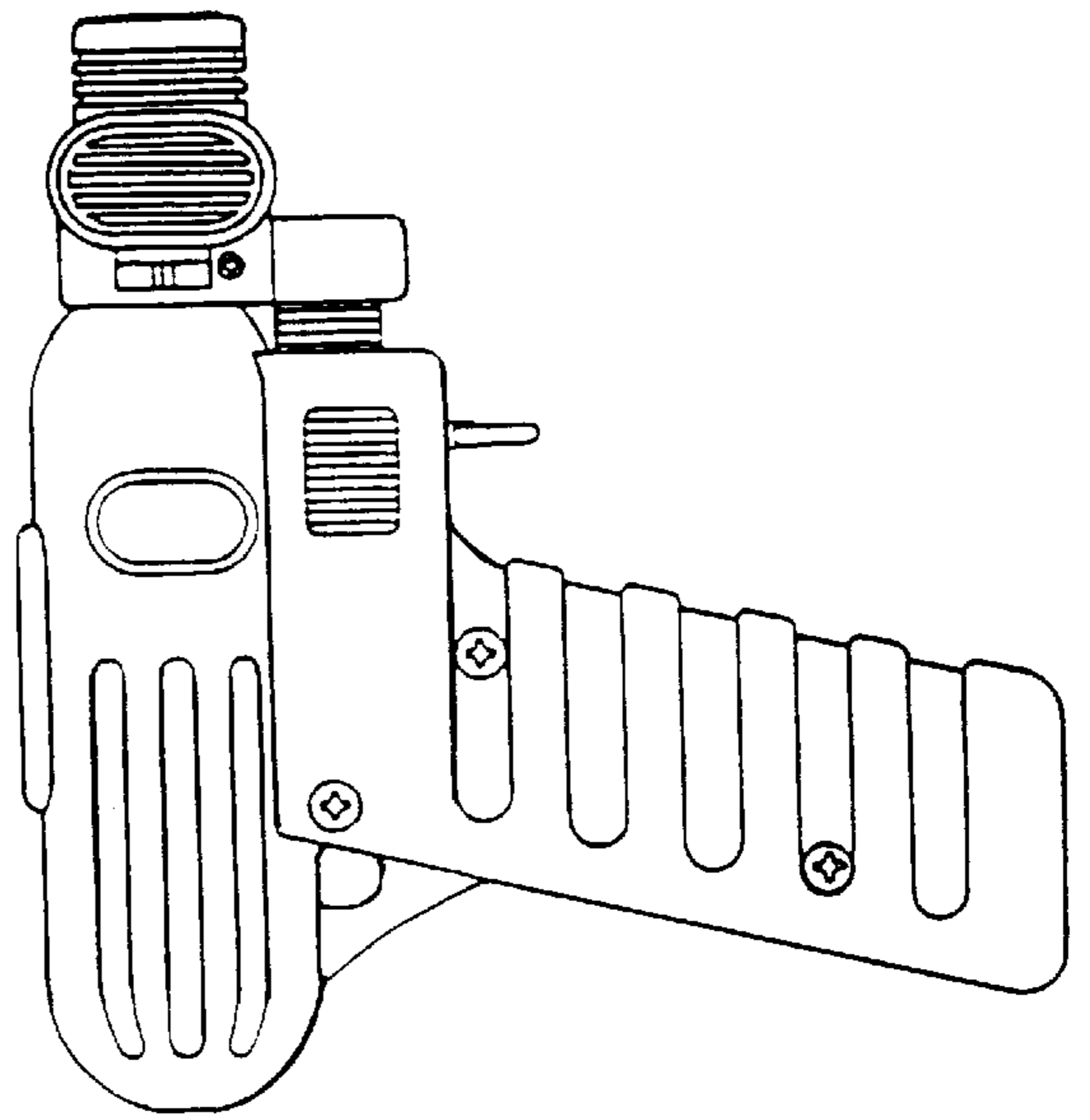


FIG. 7