



US00D413050S

# United States Patent [19] Meyer

[11] Patent Number: Des. 413,050

[45] Date of Patent: \*\* Aug. 24, 1999

[54] SQUARE CAKE CUTTER

[76] Inventor: **Debbie Jean Meyer**, 361-4 Post Rd.  
W., Suite 242, Westport, Conn. 06880

[\*\*] Term: **14 Years**

[21] Appl. No.: **29/088,922**

[22] Filed: **Jun. 3, 1998**

[51] LOC (6) Cl. .... **07-04**

[52] U.S. Cl. .... **D7/673**

[58] Field of Search ..... D7/673, 669, 693;  
30/114, 124, 302, 303; 294/7

2,600,646 6/1952 Haugland .  
2,770,035 11/1956 O'Brien .  
2,841,868 7/1958 O'Brien .  
3,045,347 7/1962 Elias et al. .  
4,637,138 1/1987 Pichè .  
5,129,159 7/1992 Fuenzalida .

*Primary Examiner*—Mitchell I Siegel  
*Attorney, Agent, or Firm*—Frishauf, Holtz, Goodman,  
Langer & Chick

### [57] CLAIM

The ornamental design for a square cake cutter, as shown and described.

### DESCRIPTION

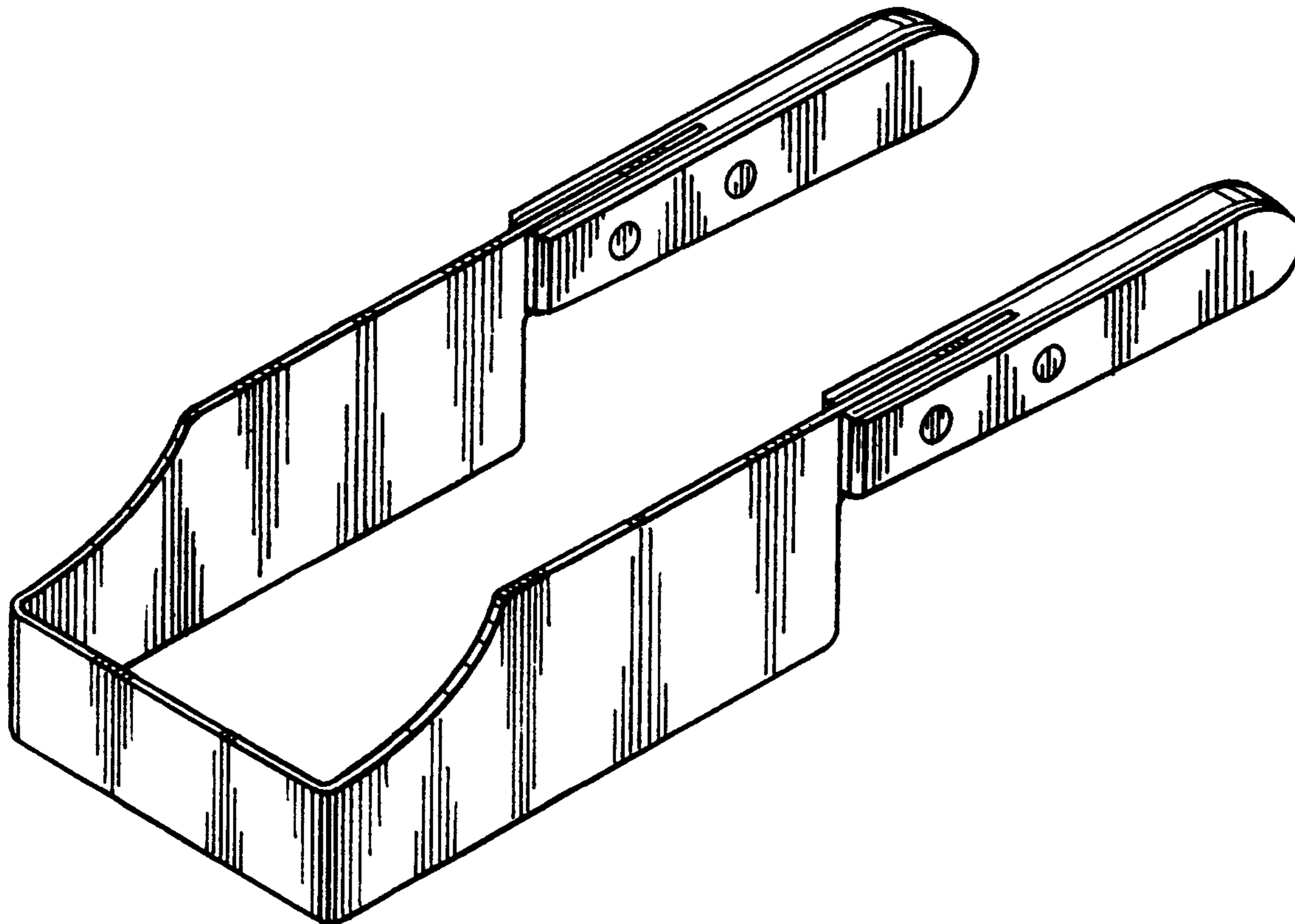
FIG. 1 is a top, front, right side perspective view of a square cake cutter showing my new design; FIG. 2 is a front elevational view thereof; FIG. 3 is a rear elevational view thereof; FIG. 4 is a right side elevational view thereof, the left side elevational view being a mirror image; FIG. 5 is a top plan view thereof; and, FIG. 6 is a bottom plan view thereof.

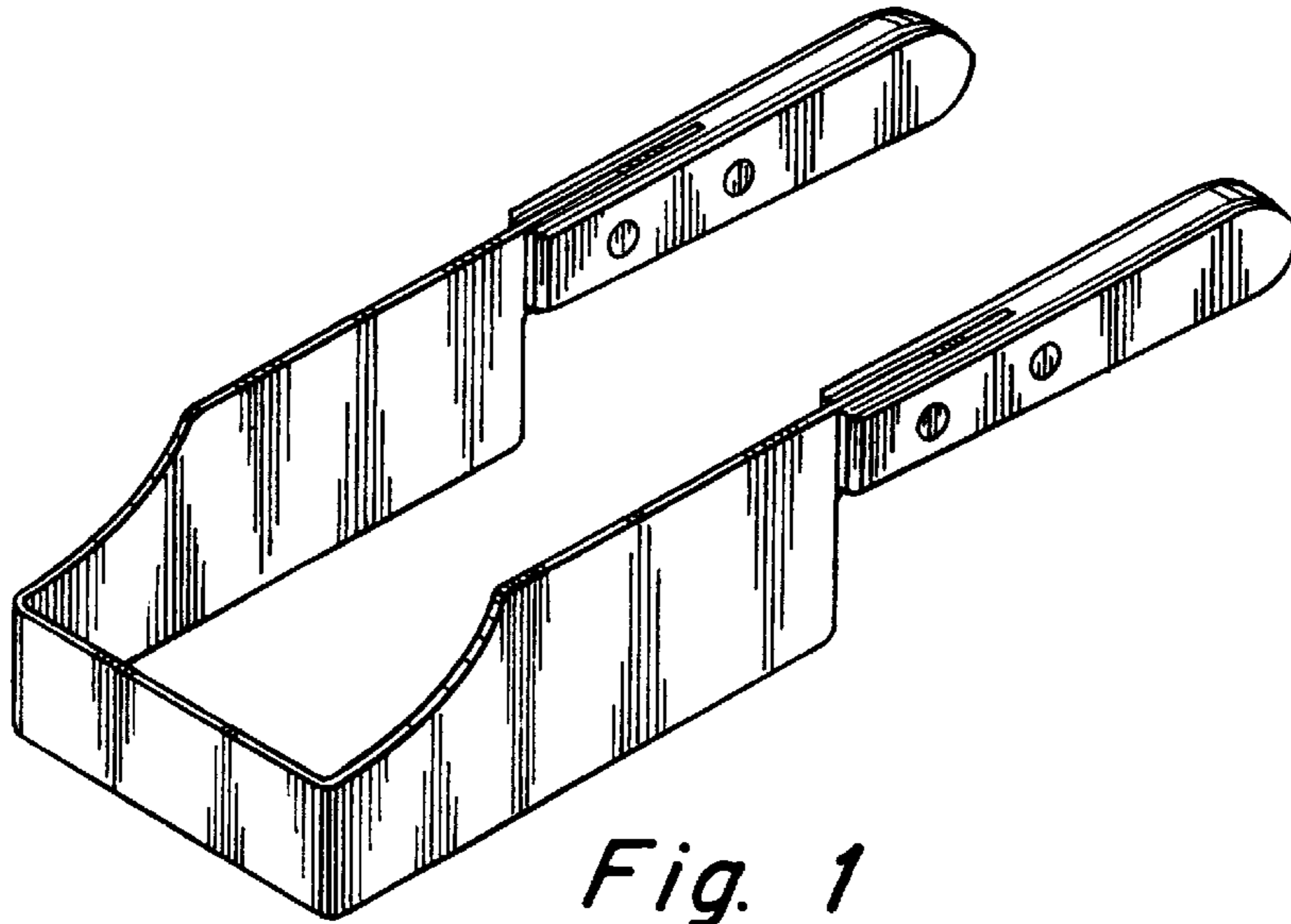
1 Claim, 2 Drawing Sheets

### [56] References Cited

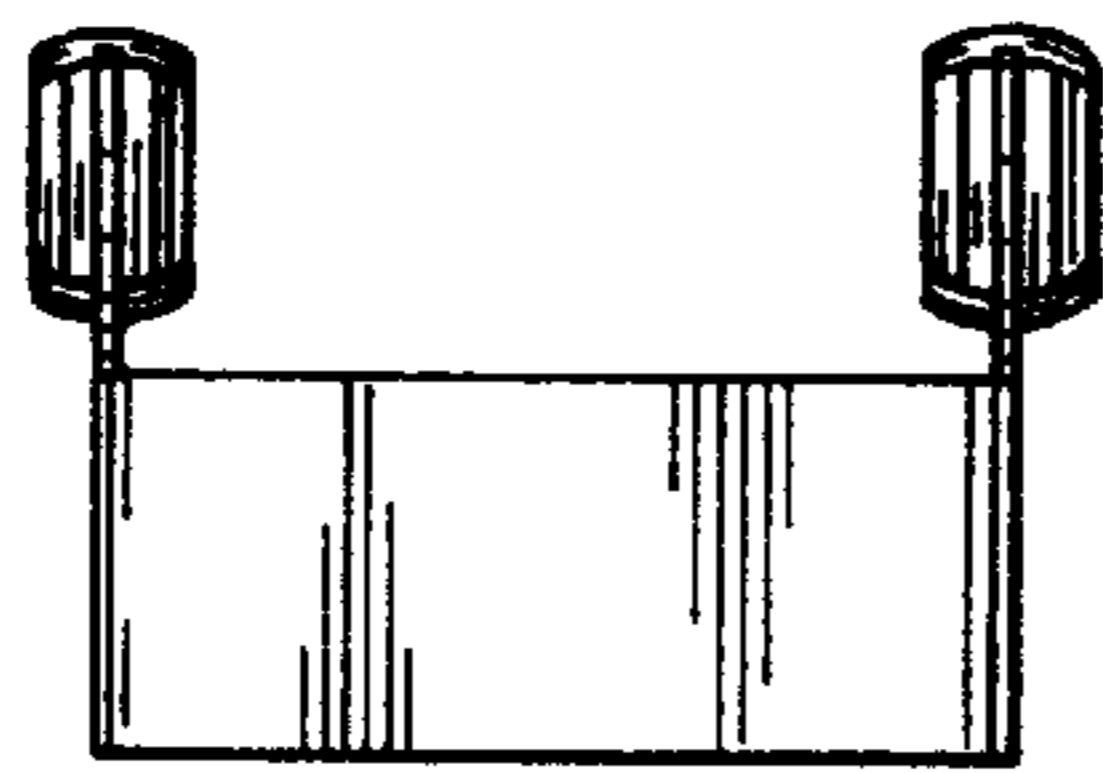
#### U.S. PATENT DOCUMENTS

D. 159,729	8/1950	Harvey .	
D. 248,271	6/1978	McGee, III .	
D. 363,860	11/1995	Gallo .....	D7/673
D. 381,244	7/1997	Laib .....	D7/673
D. 400,064	10/1998	Tellez .....	D7/669
1,104,718	7/1914	Trevisan .	
2,264,486	12/1941	Smith et al. .	
2,403,190	7/1946	Parraga .	

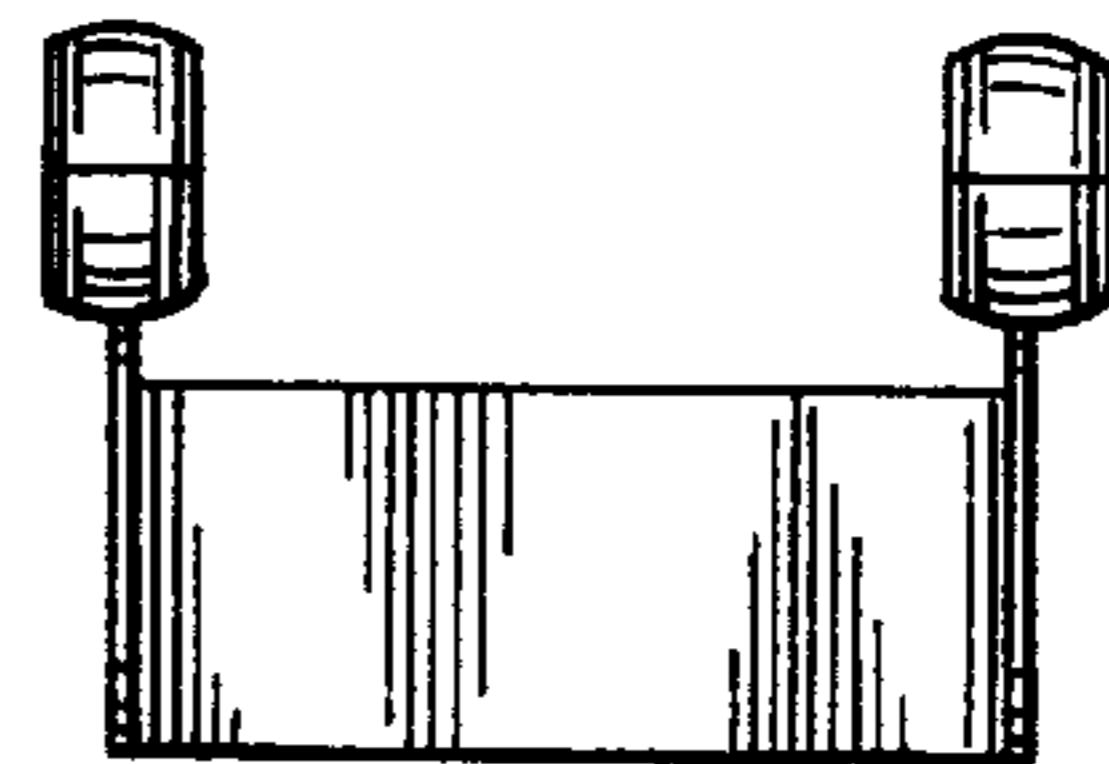




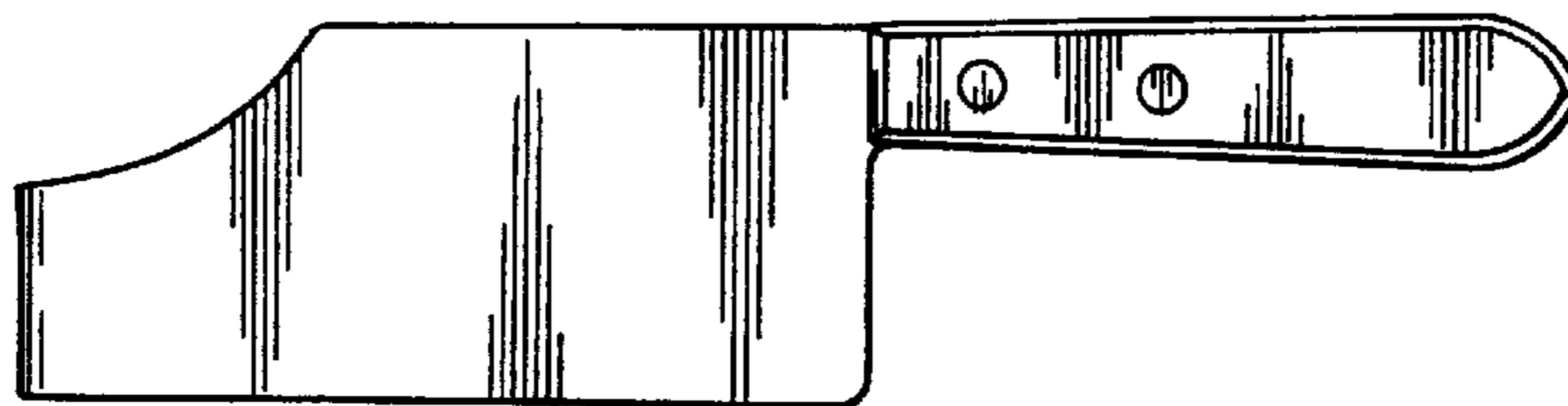
*Fig. 1*



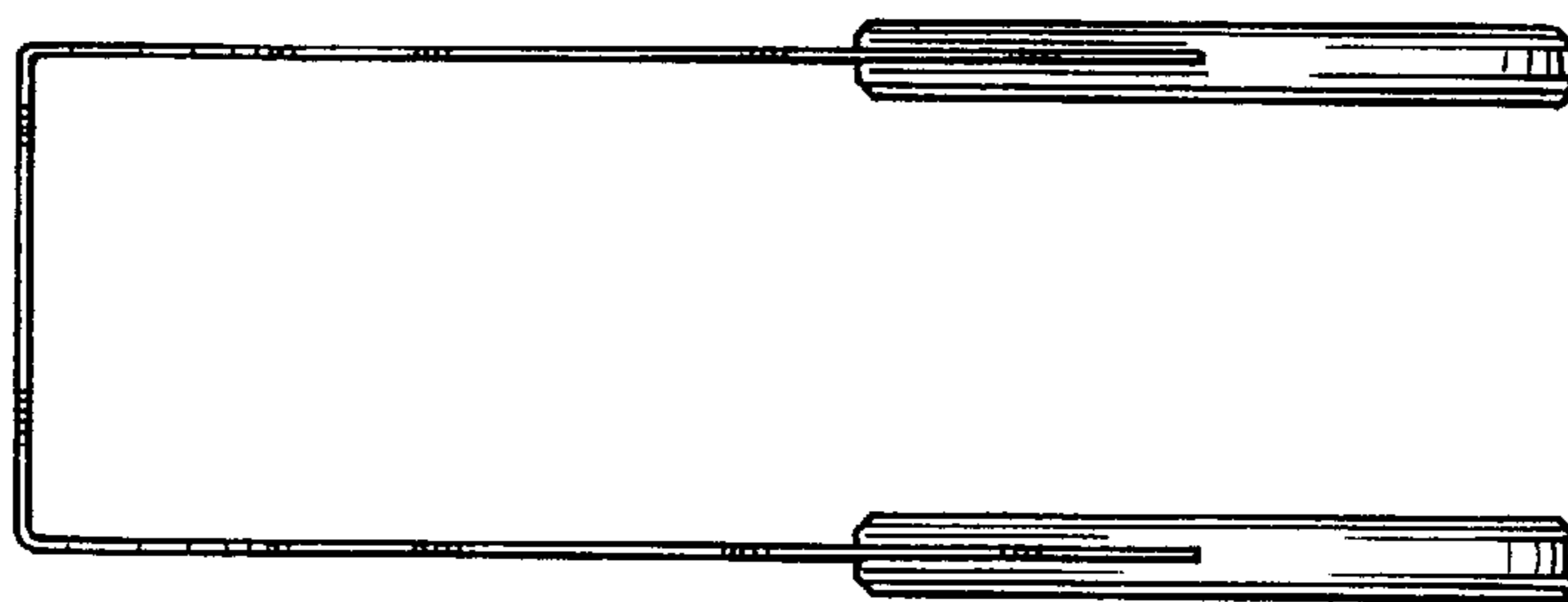
*Fig. 2*



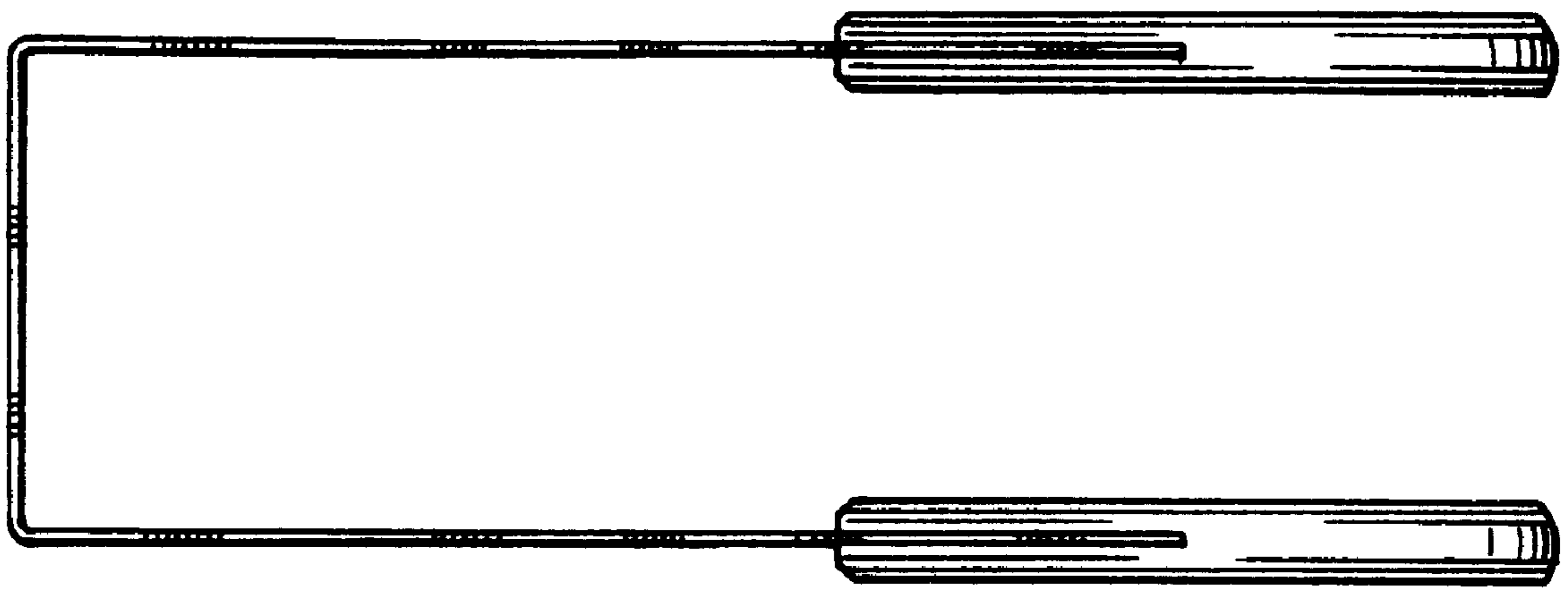
*Fig. 3*



*Fig. 4*



*Fig. 5*



*Fig. 6*