



US00D413049S

**United States Patent** [19]  
**Bergkvist**

[11] **Patent Number: Des. 413,049**

[45] **Date of Patent: \*\* Aug. 24, 1999**

[54] **SPOON**

[75] Inventor: **Håkan Bergkvist**, Bromma, Sweden

[73] Assignee: **Baby Björn AB**, Täby, Sweden

[\*\*] Term: **14 Years**

[21] Appl. No.: **29/094,984**

[22] Filed: **Oct. 14, 1998**

[30] **Foreign Application Priority Data**

Apr. 17, 1998 [SE] Sweden ..... 98-0853

[51] **LOC (6) Cl.** ..... **07-03**

[52] **U.S. Cl.** ..... **D7/653**

[58] **Field of Search** ..... D7/642, 645, 653,  
D7/662-664, 401.2; 30/147-150, 322, 324

[56] **References Cited**

**U.S. PATENT DOCUMENTS**

D. 157,842 3/1950 Chinnock ..... D7/653

*Primary Examiner*—Caron D. Veynar  
*Attorney, Agent, or Firm*—Jacobson, Price, Holman & Stern, PLLC

[57] **CLAIM**

The ornamental design for a spoon, as shown and described.

**DESCRIPTION**

FIG. 1 is a perspective view of a spoon showing the new design;

FIG. 2 is a top plan view thereof;

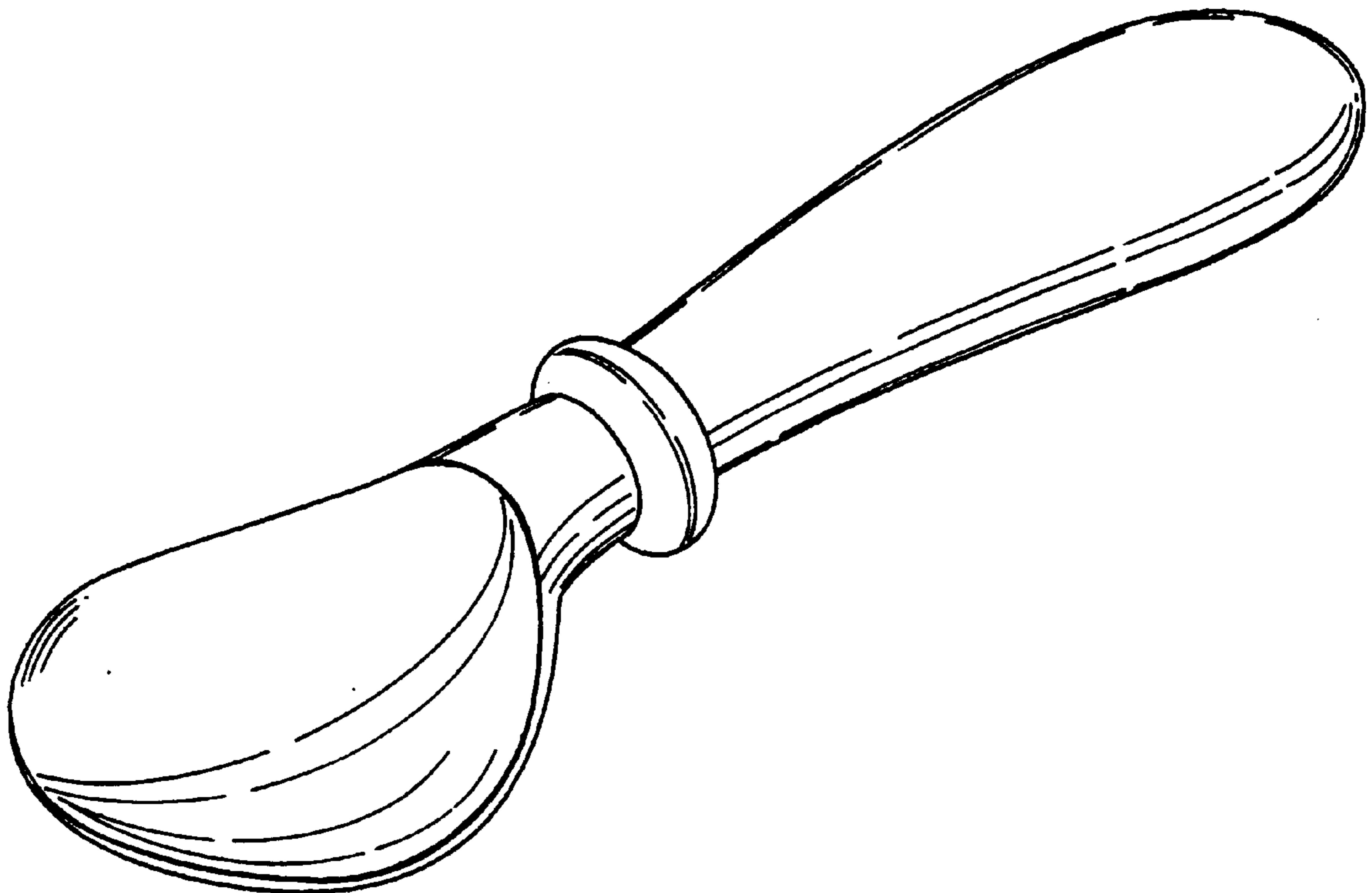
FIG. 3 is a side elevation view, the opposite side view being a mirror image thereof;

FIG. 4 is a bottom plan view thereof;

FIG. 5 is a front end view thereof; and,

FIG. 6 is a rear end view thereof.

**1 Claim, 2 Drawing Sheets**



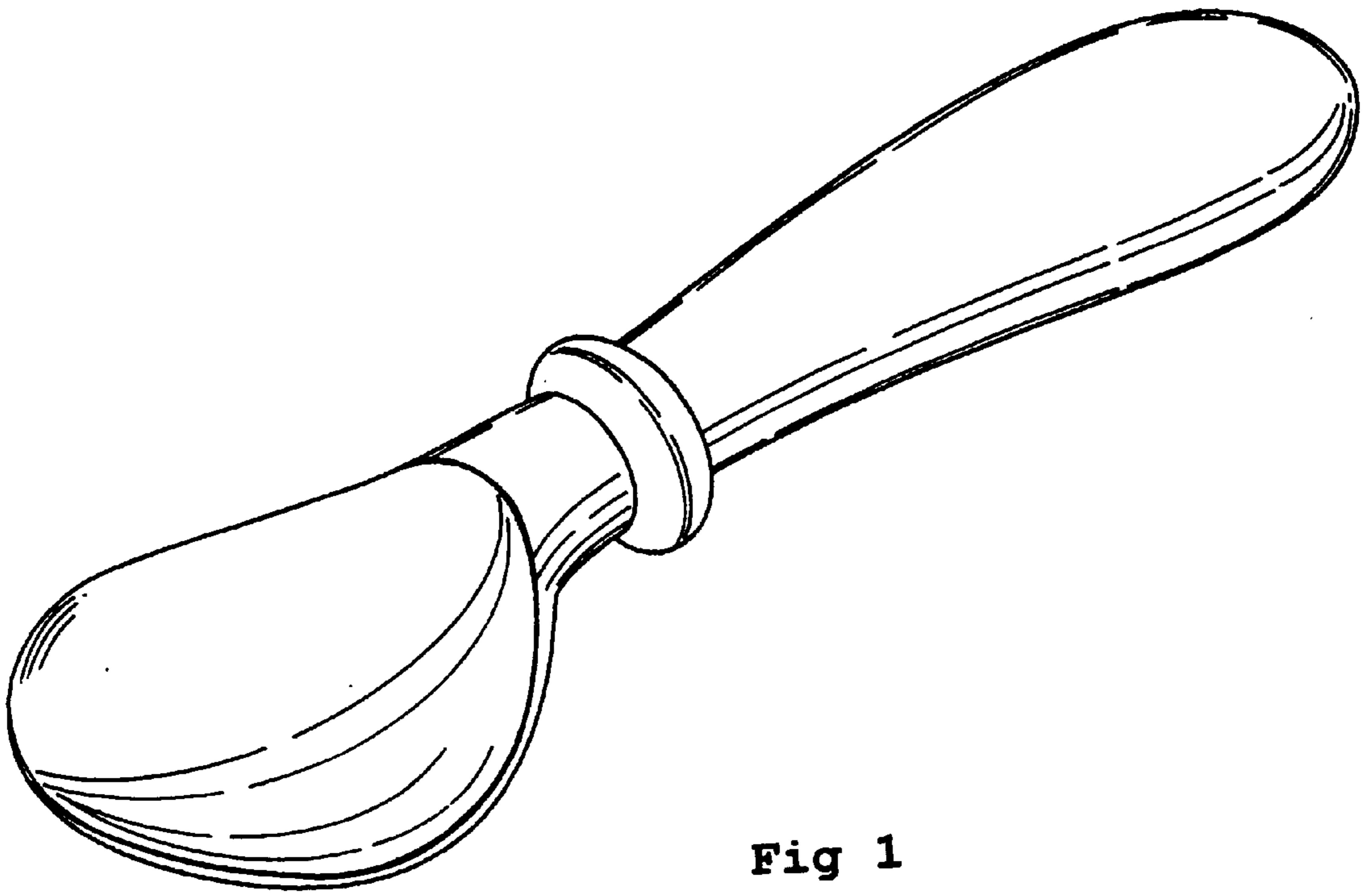


Fig 1

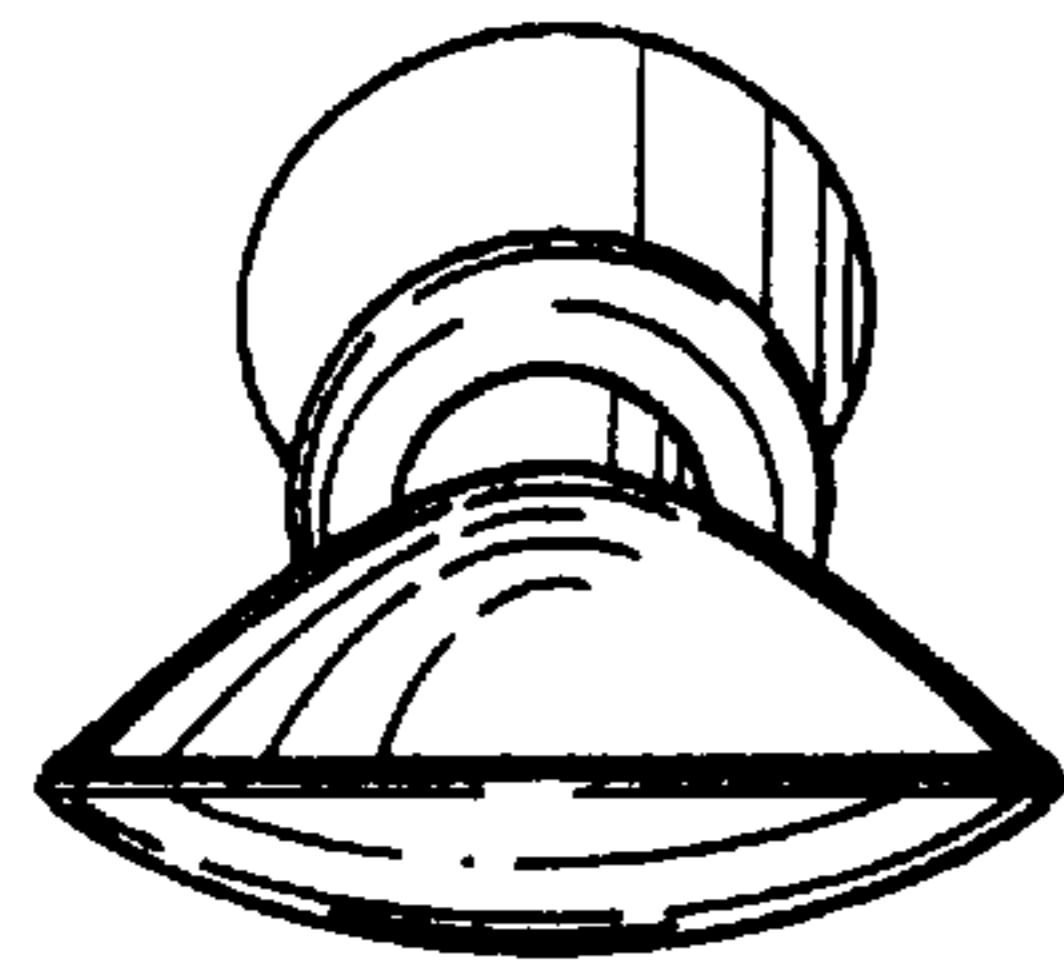


Fig 5

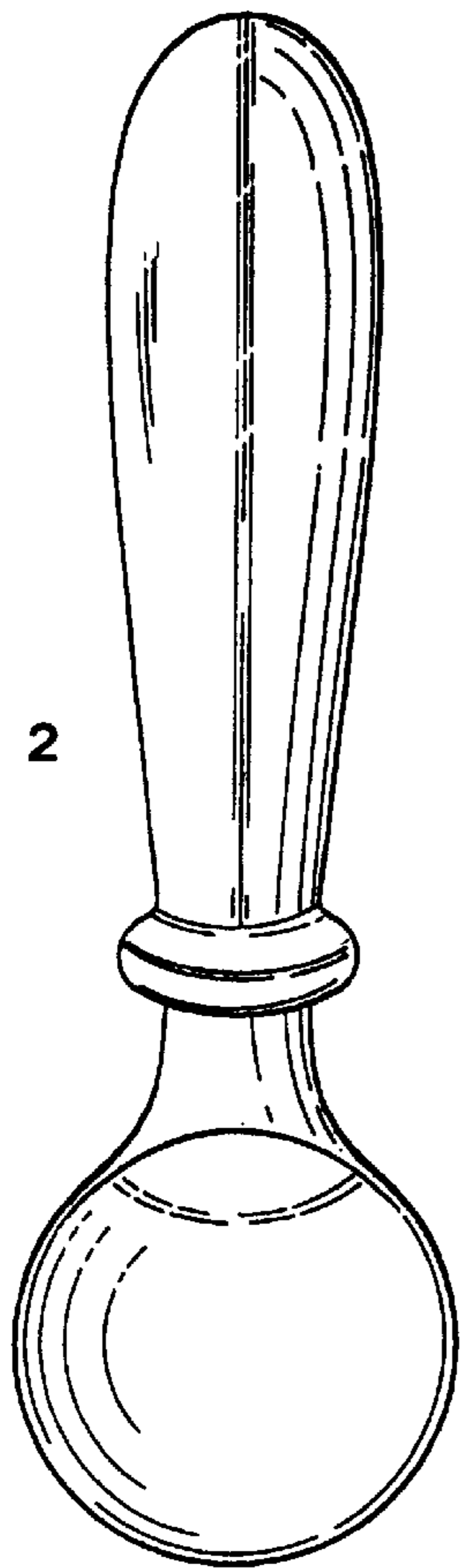


Fig 2

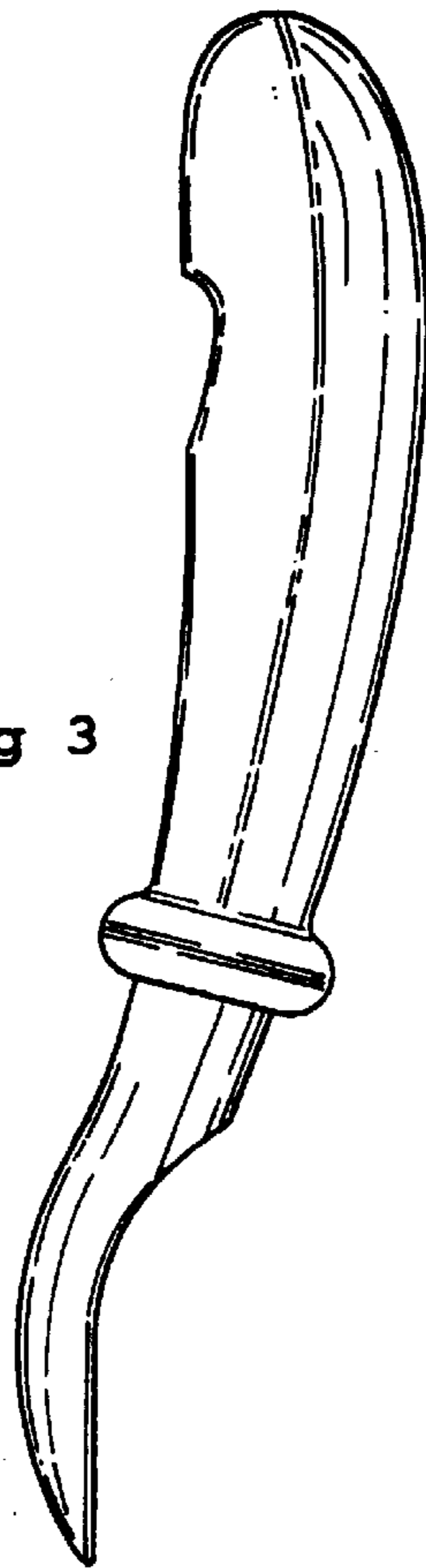


Fig 3

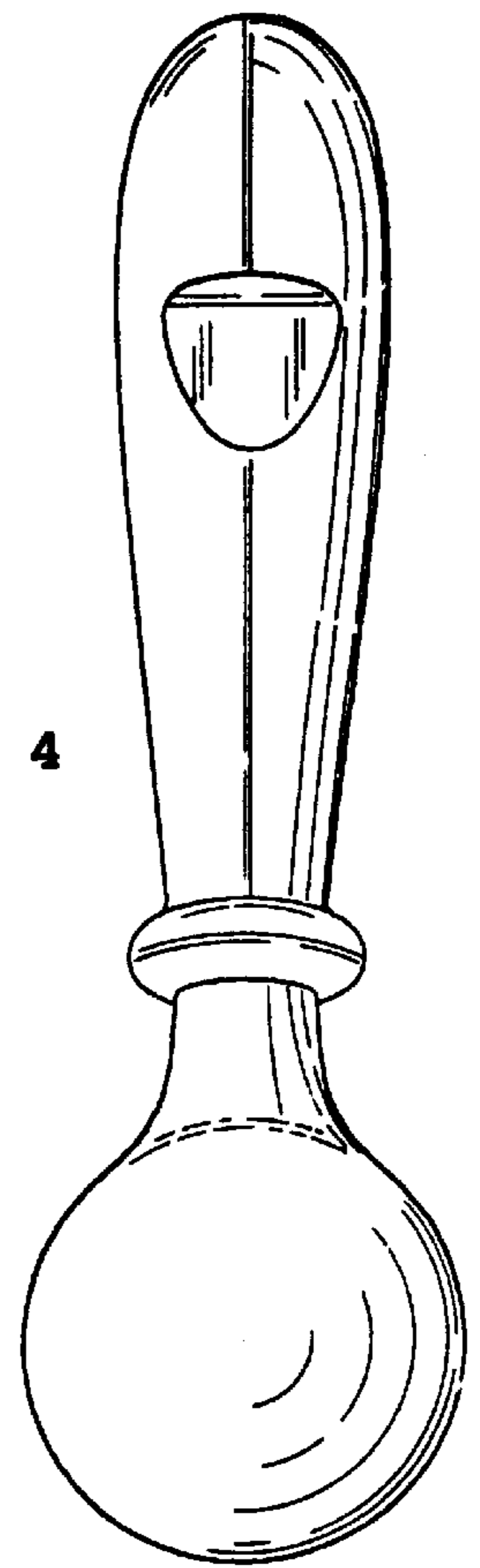


Fig 4

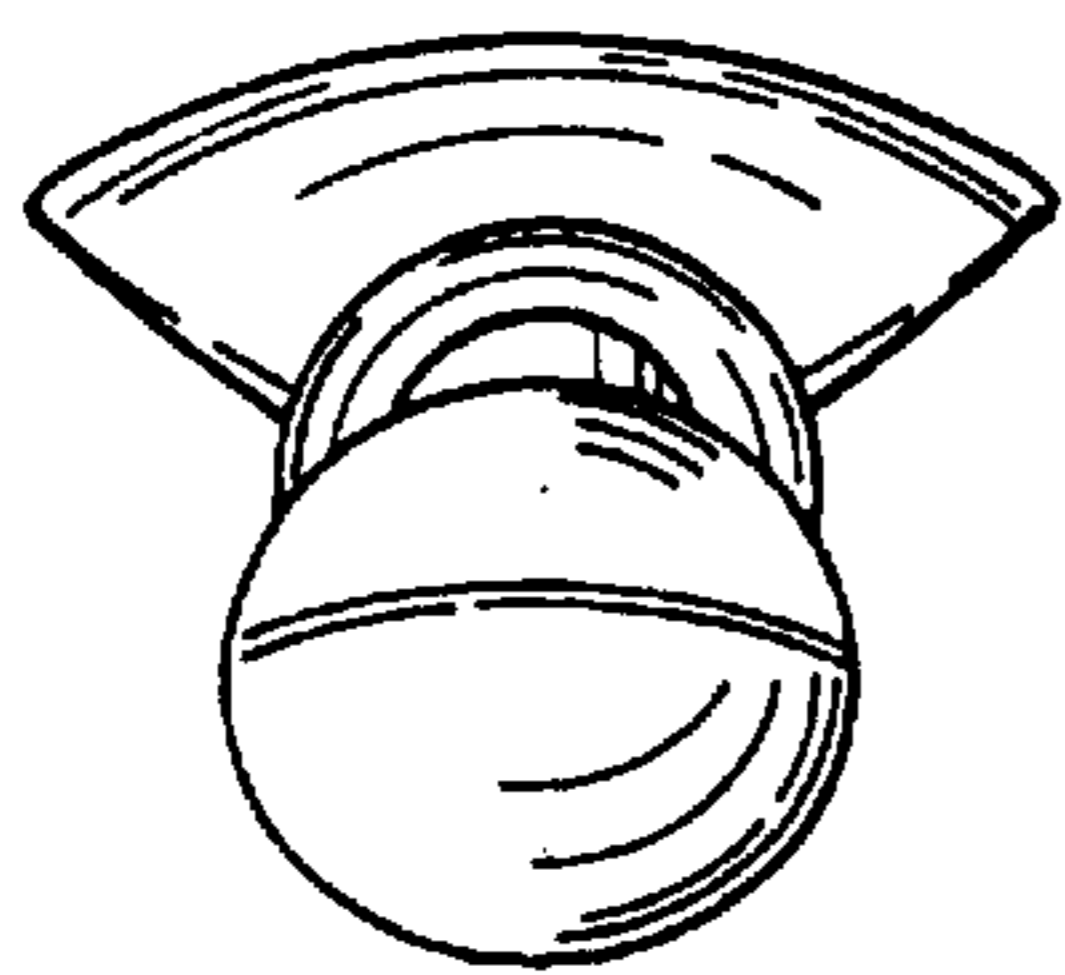


Fig 6