



US00D413046S

United States Patent [19]

[11] Patent Number: Des. 413,046

Fritze

[45] Date of Patent: ** Aug. 24, 1999

[54] SET OF REMOVABLE CAKE PLATES FOR AN ASYMMETRICAL CAKE STAND

[76] Inventor: Karen Marie Fritze, 7475 Lamar Ave. S., Cottage Grove, Minn. 55016

[**] Term: 14 Years

[21] Appl. No.: 29/026,517

[22] Filed: Jan. 9, 1995

Related U.S. Application Data

[63] Continuation-in-part of application No. 07/940,814, Sep. 8, 1992, Pat. No. Des. 357,160.

[51] LOC (6) Cl. 07-07

[52] U.S. Cl. D7/610; D7/505; D7/552.2

[58] Field of Search D6/474, 475, 476, D6/396, 487, 301, 302; D7/501, 610, 557, 558, 500, 642, 396.1, 550, 552, 586, 587; 211/134, 135, 186

[56] References Cited

U.S. PATENT DOCUMENTS

D. 78,783	6/1929	Piperoux	D7/550
D. 146,088	12/1946	Renard	108/92 X
D. 189,541	1/1961	Blumer	D7/500
D. 226,285	2/1973	Bateman	D7/550
D. 303,196	9/1989	Unger	D7/586
D. 357,160	4/1995	Fritze	D6/474
D. 362,787	10/1995	Burke	D7/501 X
D. 370,598	6/1996	Koch	D7/550 X
2,143,592	1/1939	Baldeck	211/134
2,178,166	10/1939	Enstrom	D7/610 X
2,921,691	1/1960	Dembinski	D7/610 X
3,070,236	12/1962	MacPherson, Sr.	108/91 X
3,814,032	6/1974	McMains	D7/610 X

Primary Examiner—Doris V. Coles
Assistant Examiner—Linda Brooks

[57] CLAIM

The ornamental design for a set of removable cake plates for an asymmetrical cake stand, as shown and described.

DESCRIPTION

FIG. 1 is a perspective view of the set of removable cake plates for an asymmetrical cake stand.

FIG. 2 is a top plan view of the top plate of FIG. 1, shown separately for clarity of illustration.

FIG. 3 is a left elevation view of FIG. 1.

FIG. 4 is a right elevation view of FIG. 1.

FIG. 5 is a perspective view of a second embodiment of the set of removable cake plates for an asymmetrical cake stand.

FIG. 6 is a top plan view of the top plate of FIG. 5 on a reduced scale, shown separately for clarity of illustration.

FIG. 7 is a perspective view of a third embodiment of the set of removable cake plates for an asymmetrical cake stand.

FIG. 8 is a top plan view of the top plate of FIG. 7 on a reduced scale, shown separately for clarity of illustration.

FIG. 9 is a perspective view of a fourth embodiment of the set of removable cake plates for an asymmetrical cake stand.

FIG. 10 is a top plan view of the top plate of FIG. 9 on a reduced scale, shown separately for clarity of illustration;

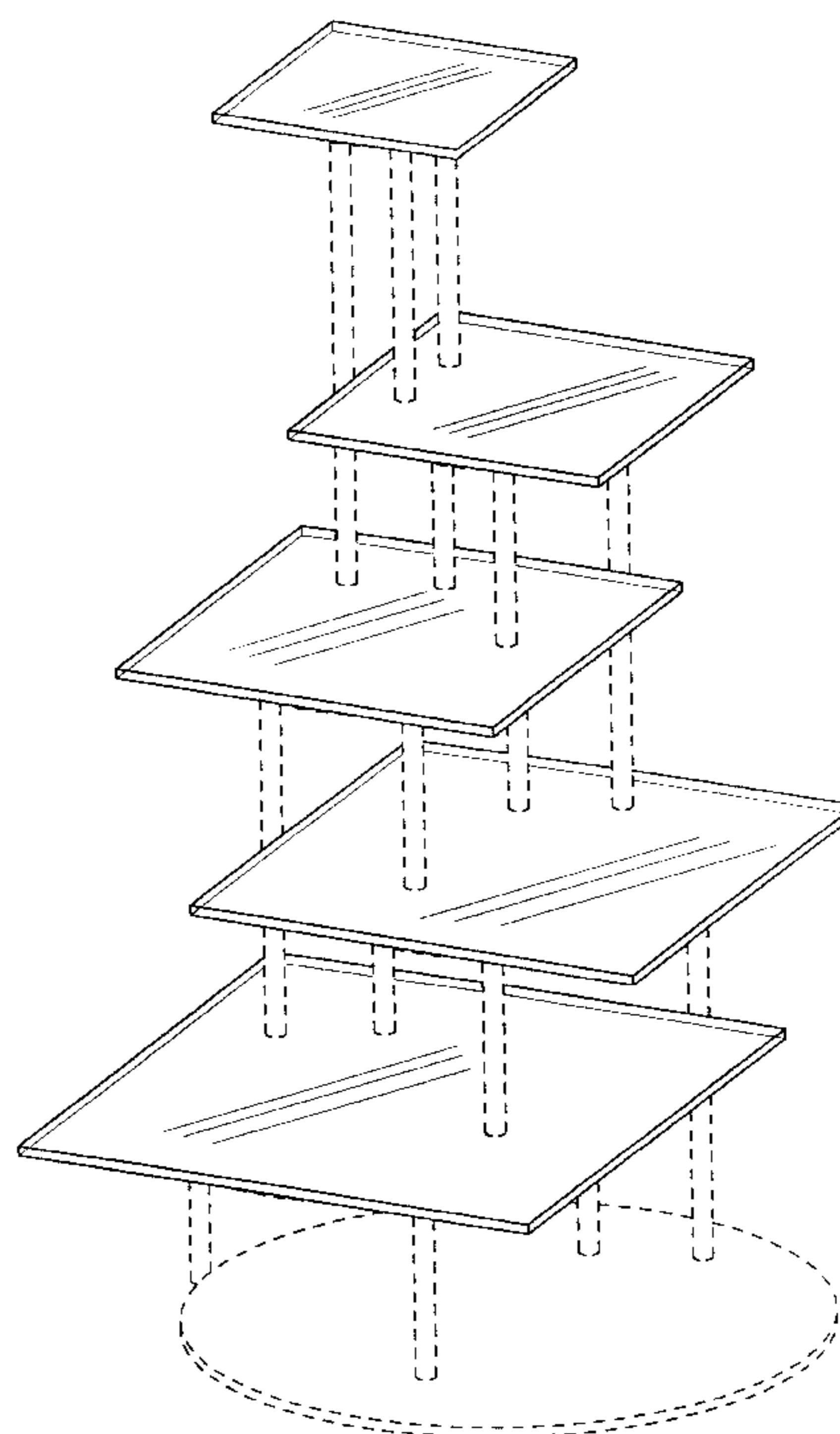
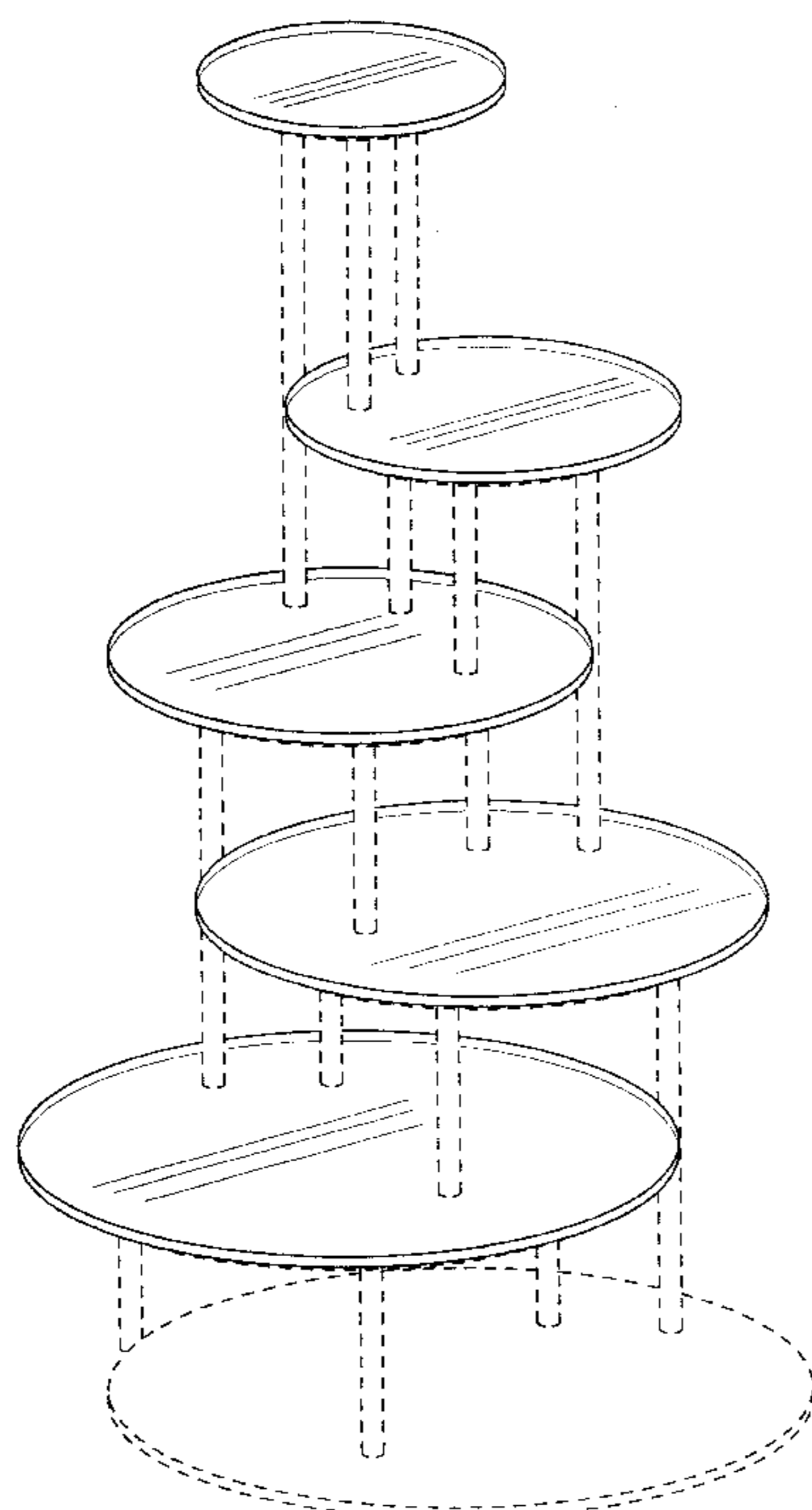
and,

FIG. 11 is a top plan view of FIG. 5.

The broken line showing of a cake stand in FIGS. 1, 3, 5, 7, and 9 is for illustrative purposes only and forms no part of the claimed design.

The left and right side elevational views of the second, third, and fourth embodiments are substantially the same as left and right side elevational views of the first embodiment shown in FIGS. 3 and 4, the only difference being the shape of the plates.

1 Claim, 8 Drawing Sheets



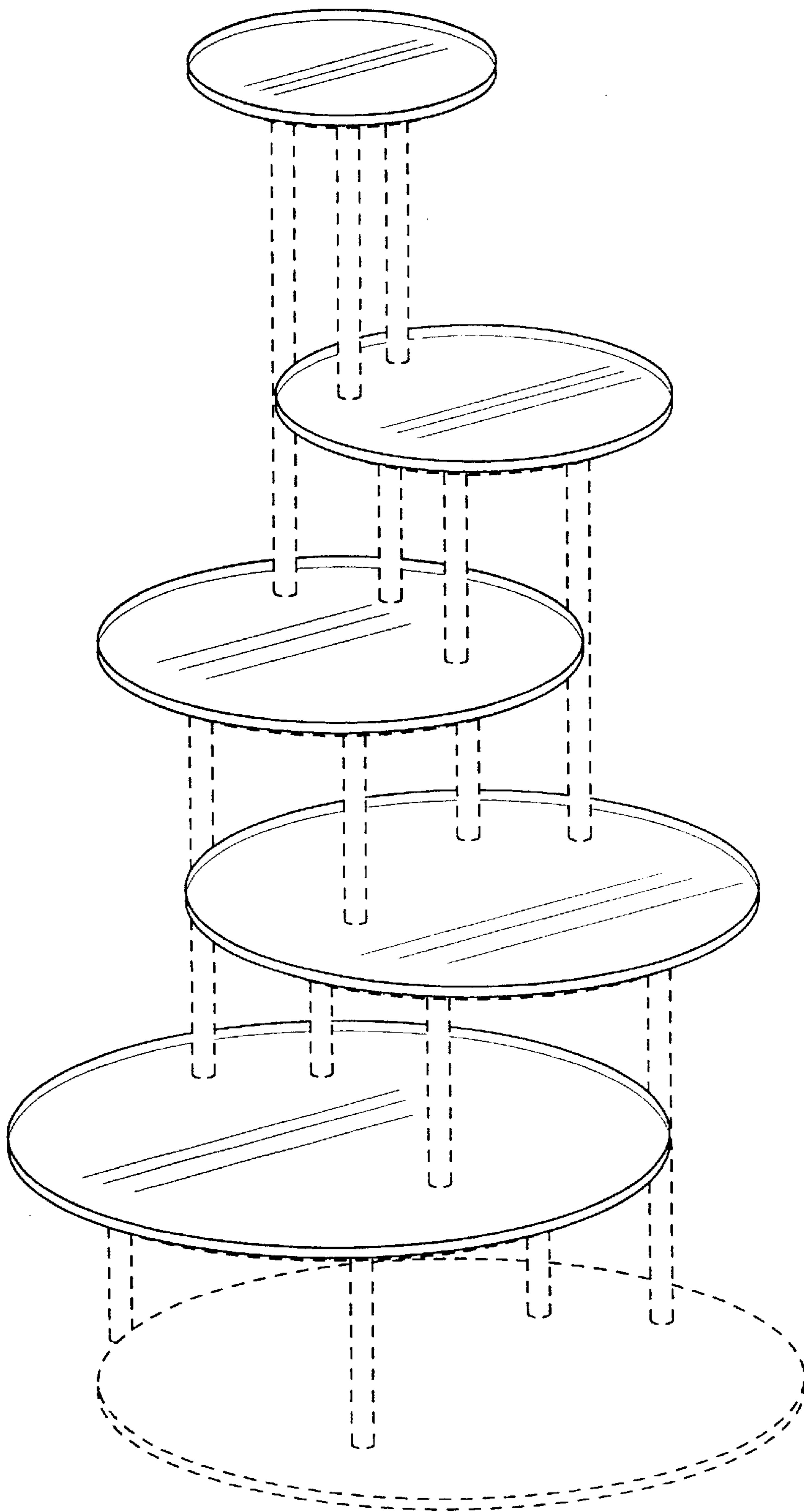


Figure 1

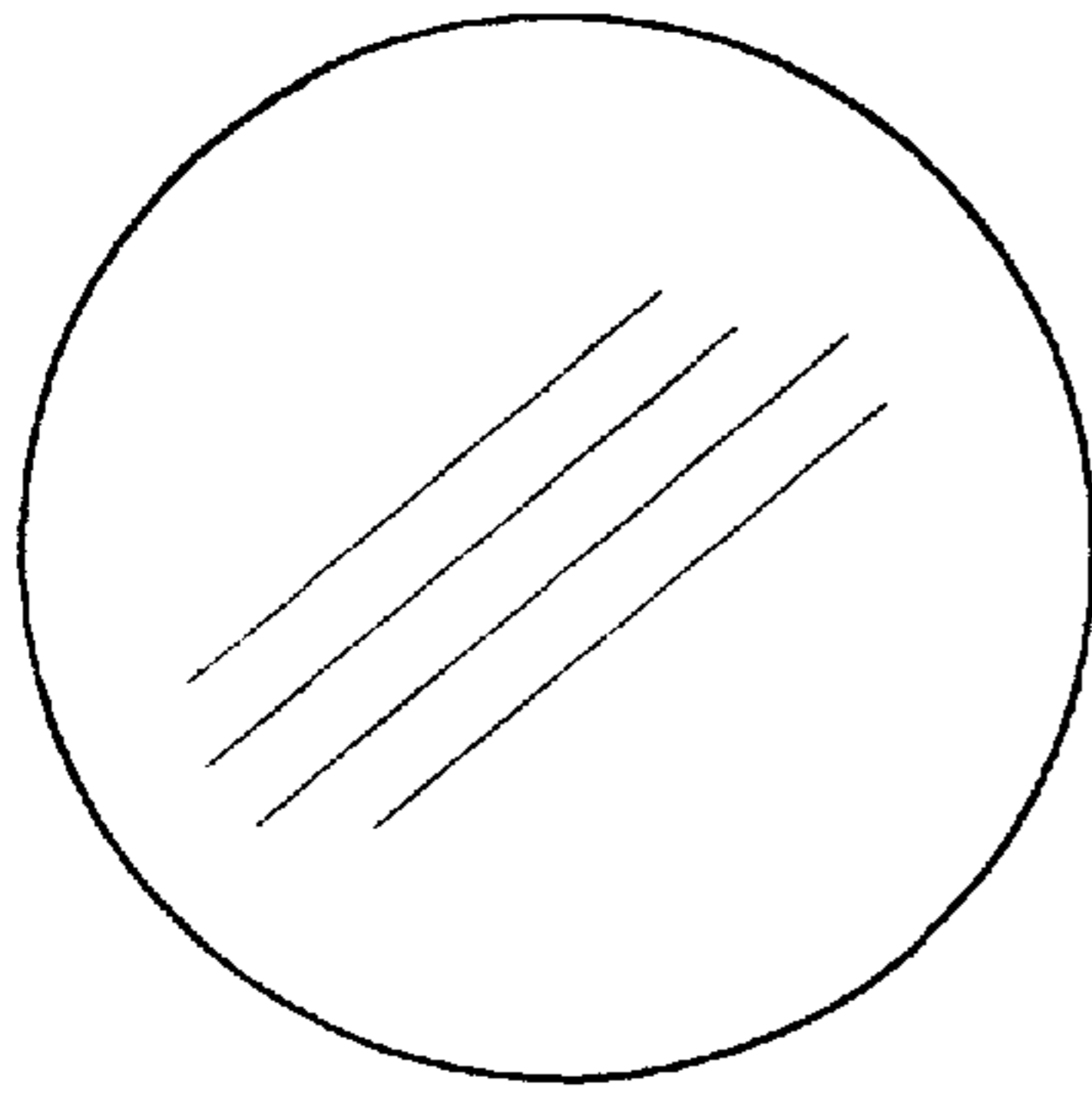


Figure 2

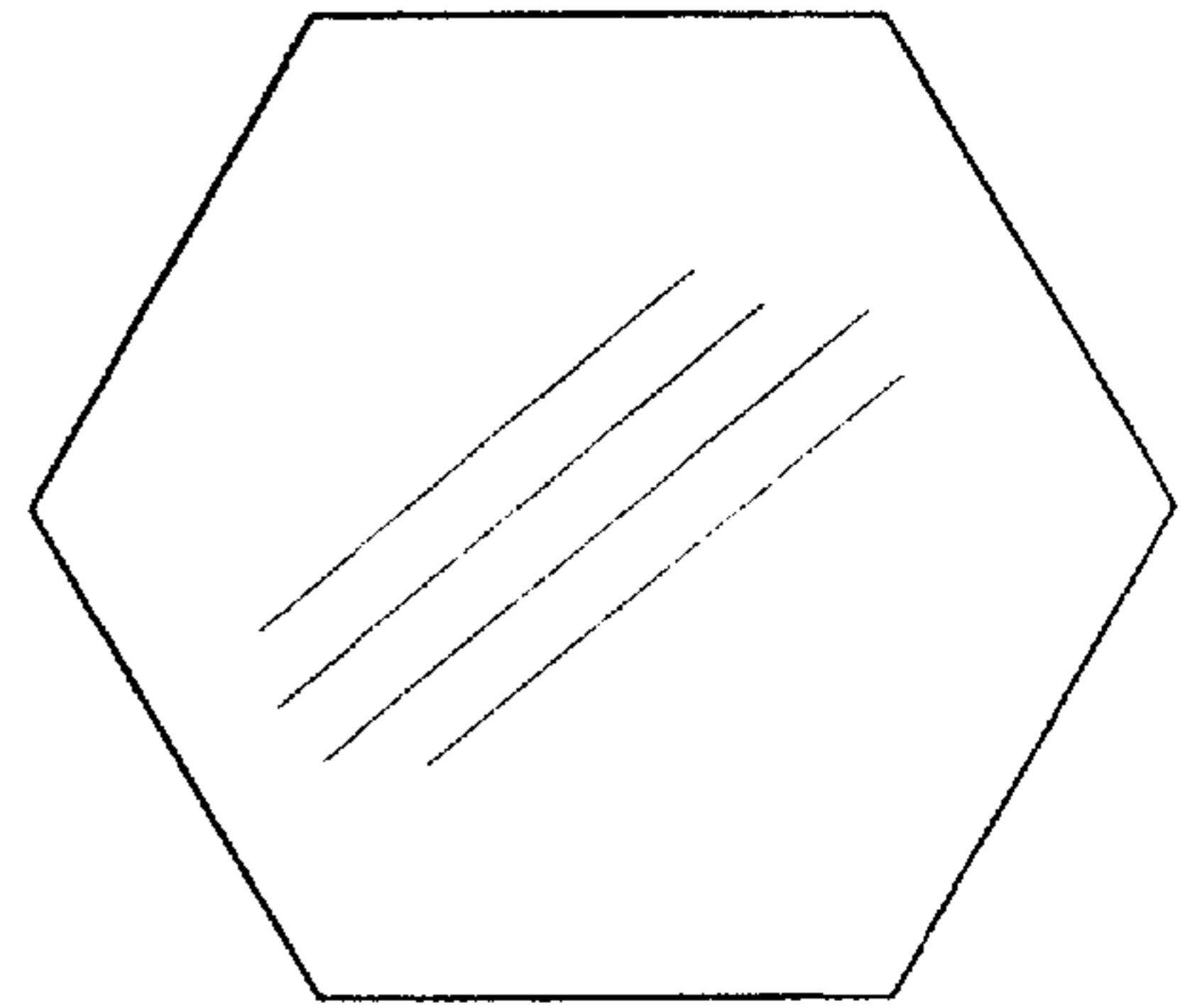


Figure 10

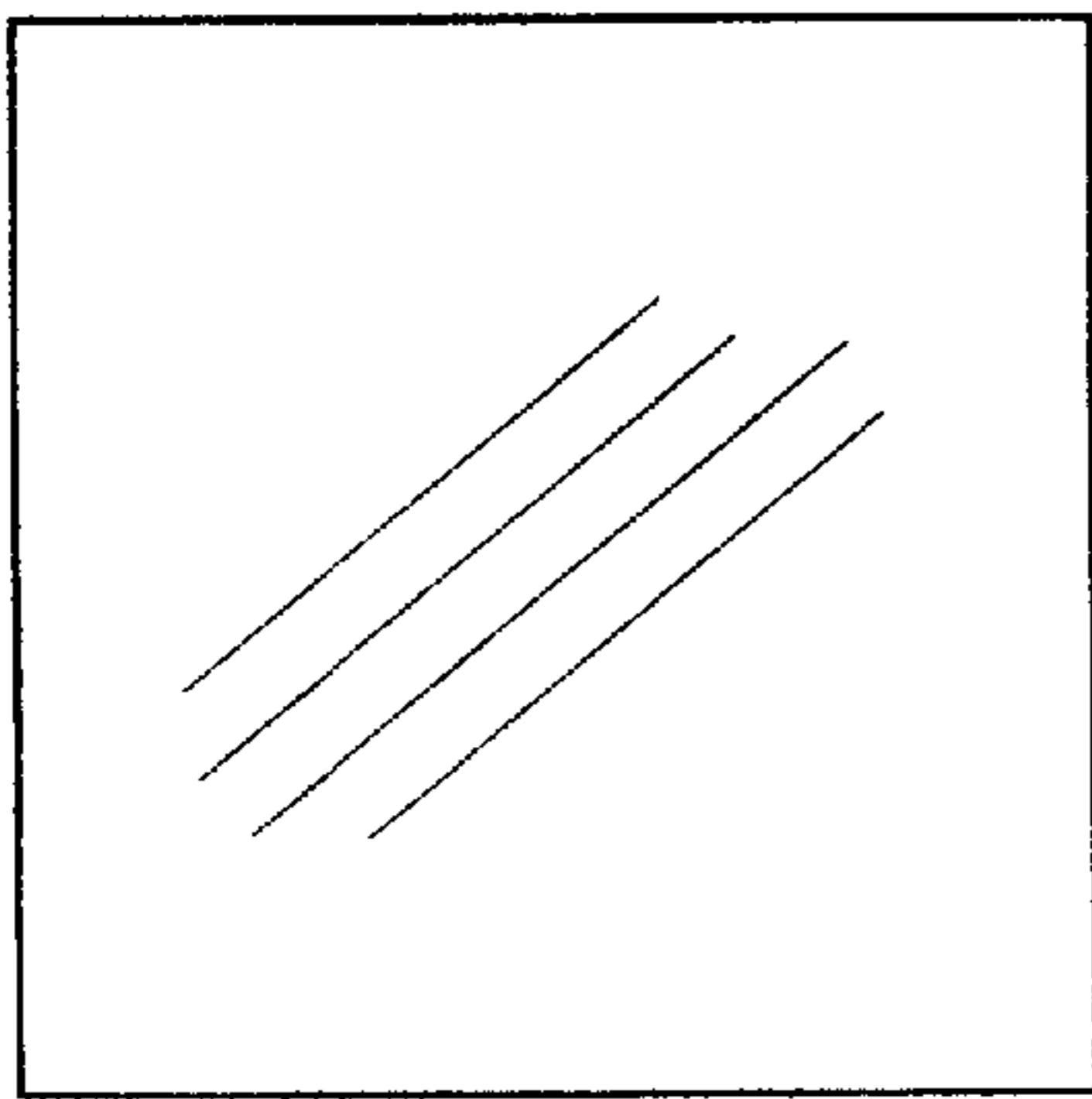


Figure 8

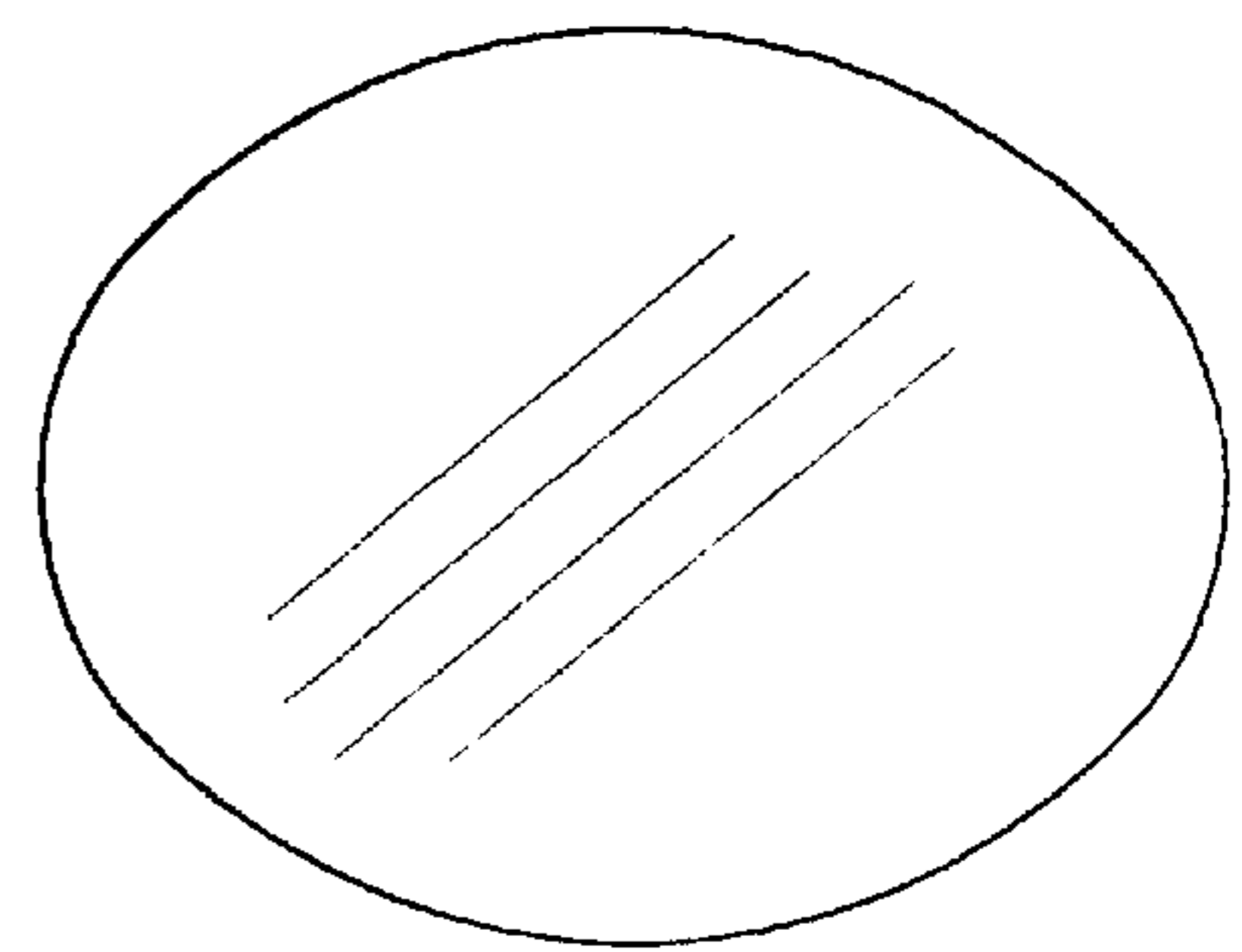


Figure 6

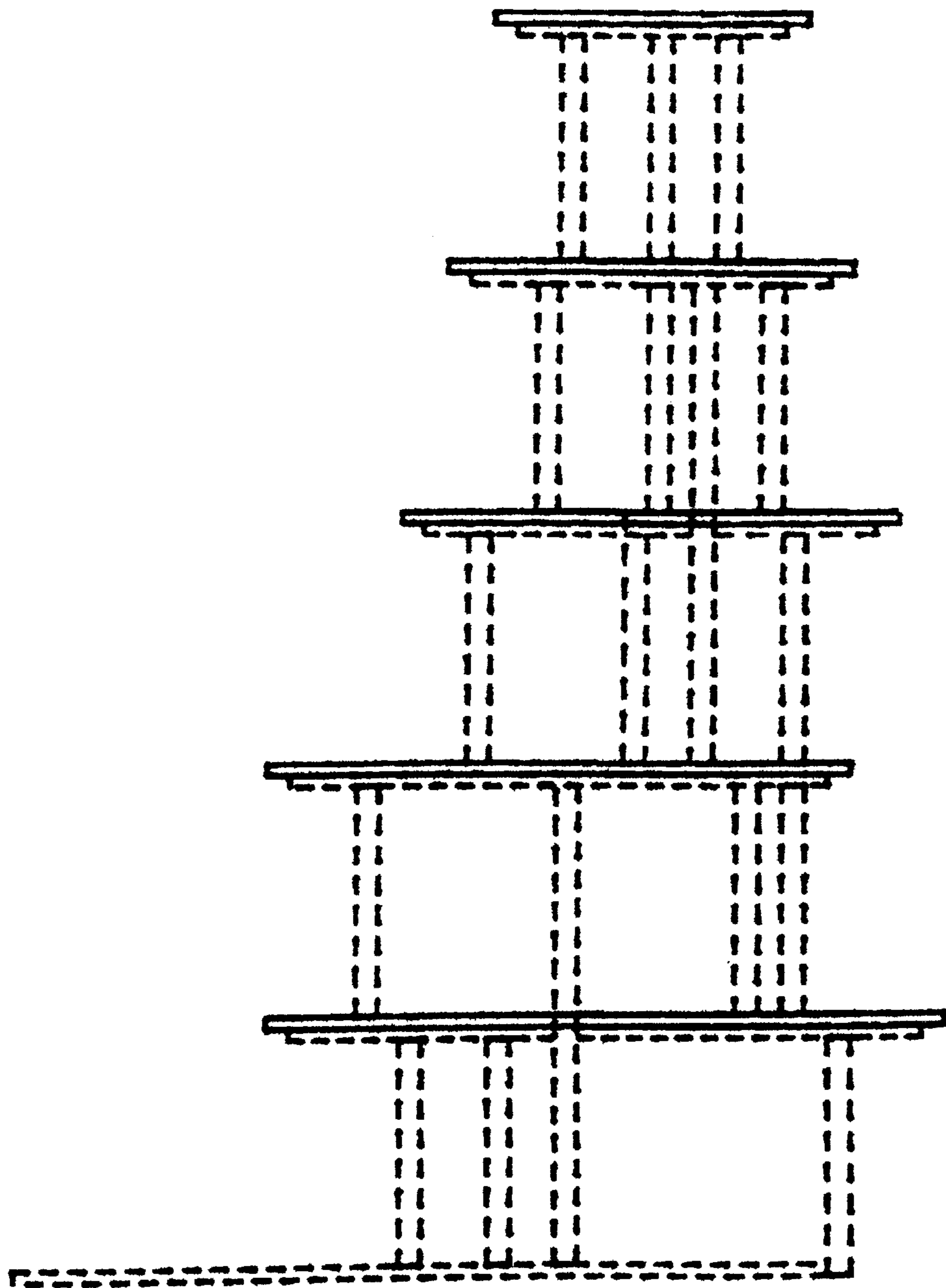


Figure 3

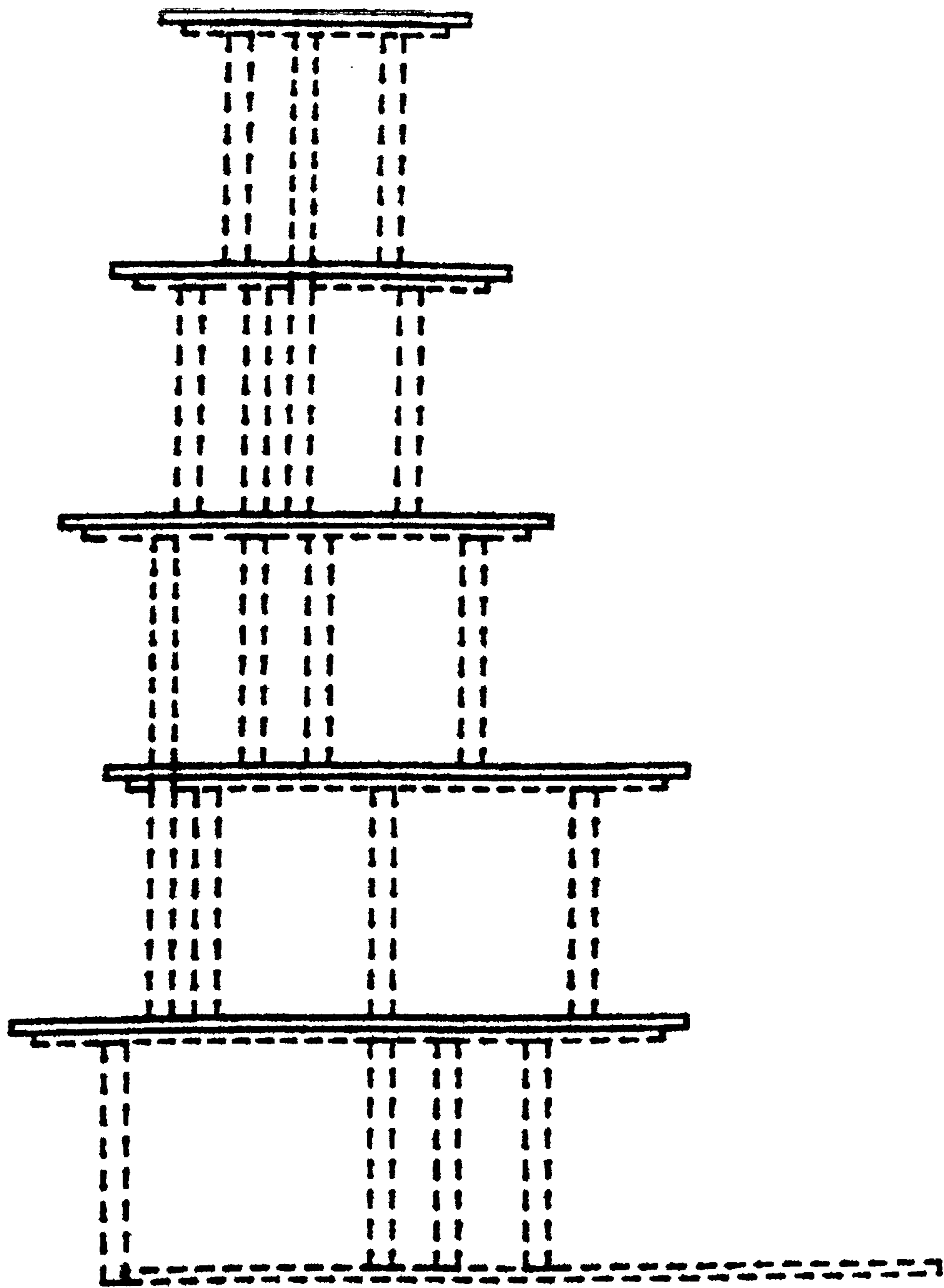


Figure 4

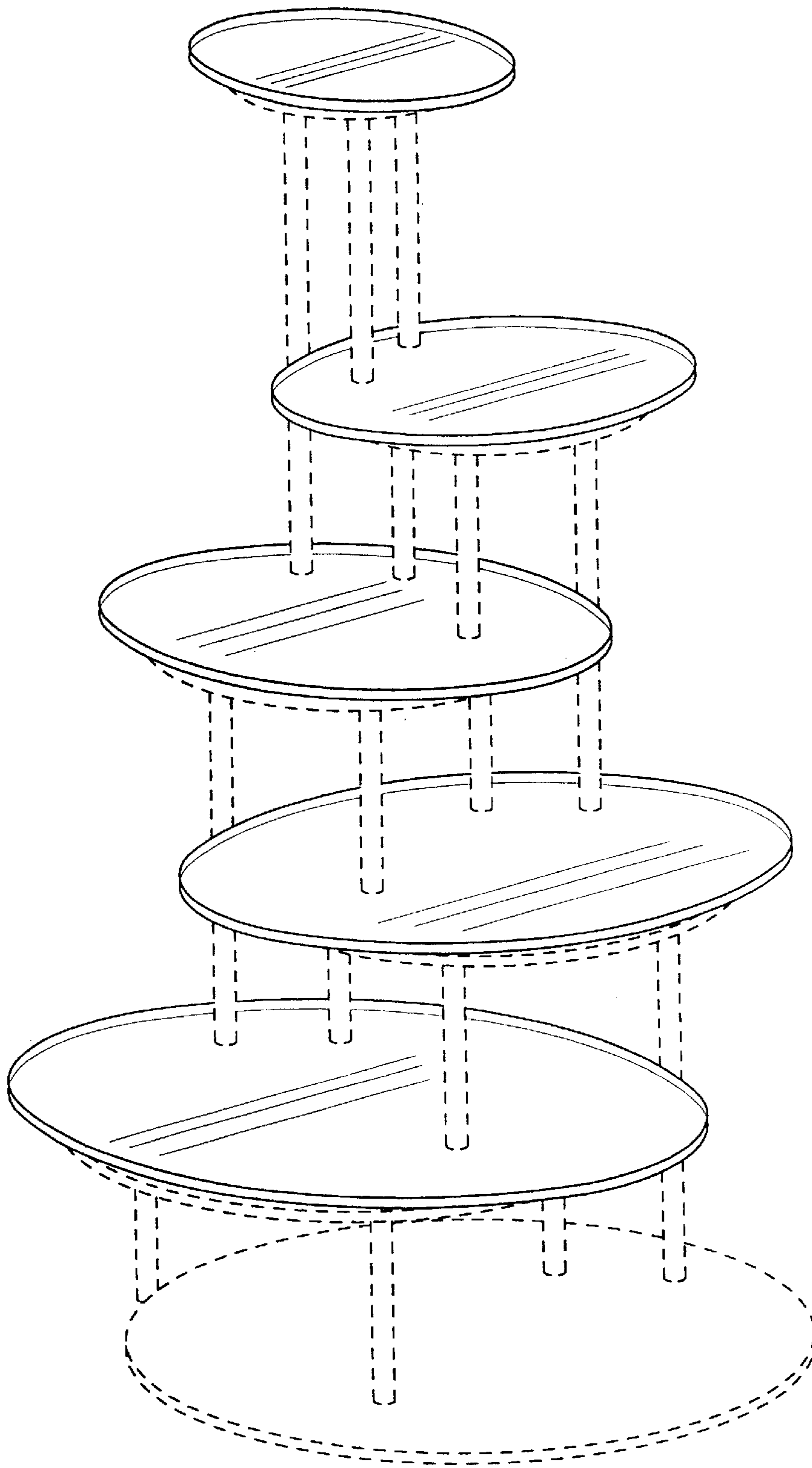


Figure 5

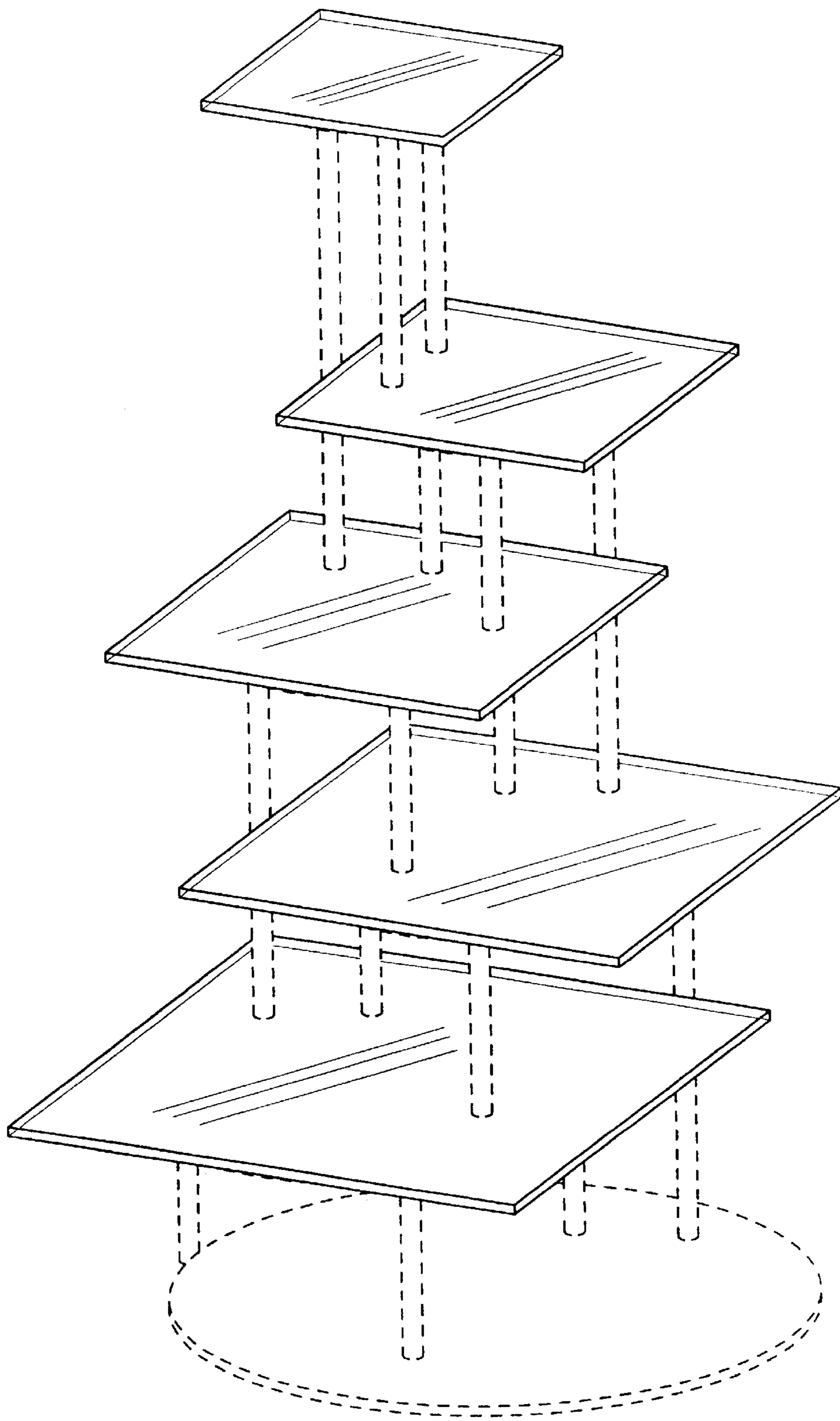


Figure 7

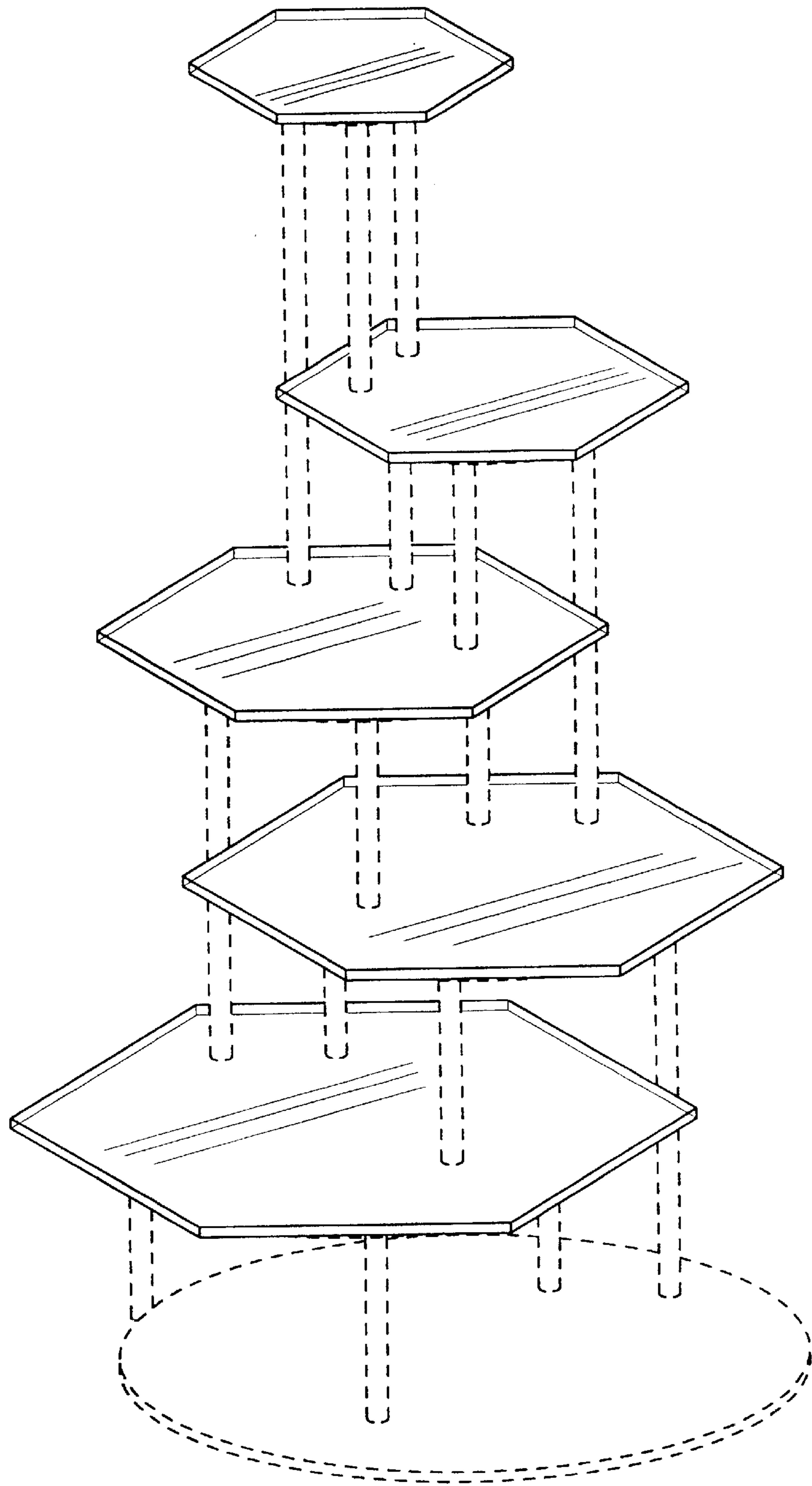


Figure 9

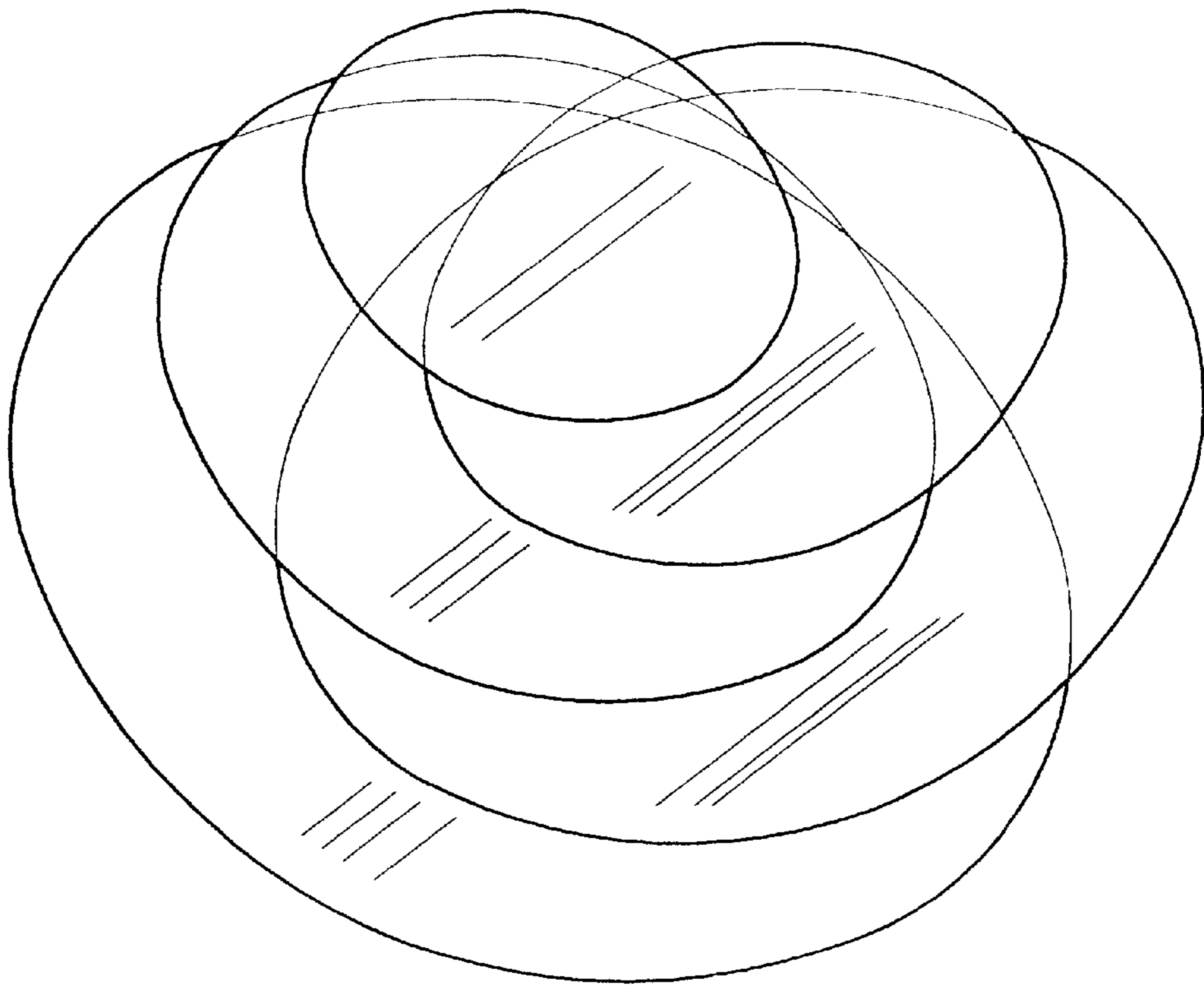


Figure 11