



US00D413044S

**United States Patent** [19]  
**Zappolo**

[11] **Patent Number: Des. 413,044**

[45] **Date of Patent: \*\* Aug. 24, 1999**

[54] **CEREAL BOWL**

[76] Inventor: **Len Zappolo**, 700 Outpost Cir., Wayne, Pa. 19087

[\*\*] Term: **14 Years**

[21] Appl. No.: **29/079,273**

[22] Filed: **Nov. 12, 1997**

[51] **LOC (6) Cl.** ..... **07-01**

[52] **U.S. Cl.** ..... **D7/587; D7/555**

[58] **Field of Search** ..... D7/586, 545, 546,  
D7/549, 555, 587, 608, 513; 220/574, 575,  
23.83; D30/130; D9/414

[56] **References Cited**

**U.S. PATENT DOCUMENTS**

- D. 223,586 5/1972 Burden ..... D7/586 X
- D. 283,096 3/1986 Uhrik ..... D7/586
- D. 305,846 2/1990 Griffith ..... D7/555
- D. 314,704 2/1991 Lillelund et al. .... D9/414

- D. 367,587 3/1996 Perlmutter et al. .... D7/555
- D. 386,358 11/1997 Pfeilsticker ..... D7/555
- D. 390,419 2/1998 Perlmutter et al. .... D7/555
- 1,272,996 7/1918 Poschadel ..... 220/575
- 5,341,953 8/1994 Forester ..... 220/575
- 5,676,275 10/1997 Khattar ..... 220/23.83 X

*Primary Examiner*—M. N. Pandozzi  
*Attorney, Agent, or Firm*—John Lezdey & Assoc.

[57] **CLAIM**

The ornamental design for a cereal bowl, shown and described.

**DESCRIPTION**

FIG. 1 is a top plan view of a cereal bowl showing my new design;  
FIG. 2 is a bottom plan view thereof;  
FIG. 3 is a side elevational view thereof, the opposite being a mirror image; and,  
FIG. 4 is a perspective view thereof.

**1 Claim, 1 Drawing Sheet**

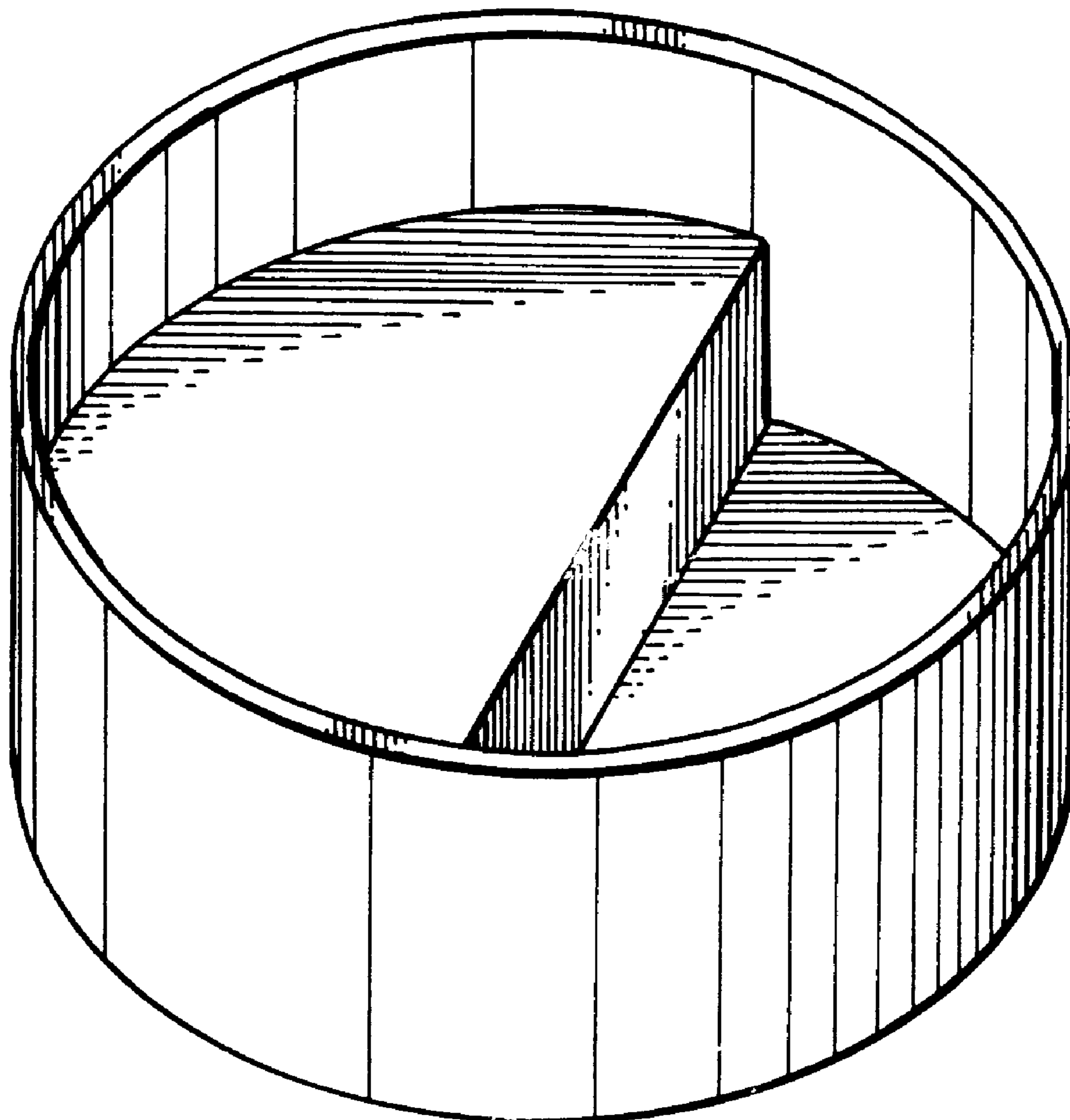


FIG. 1

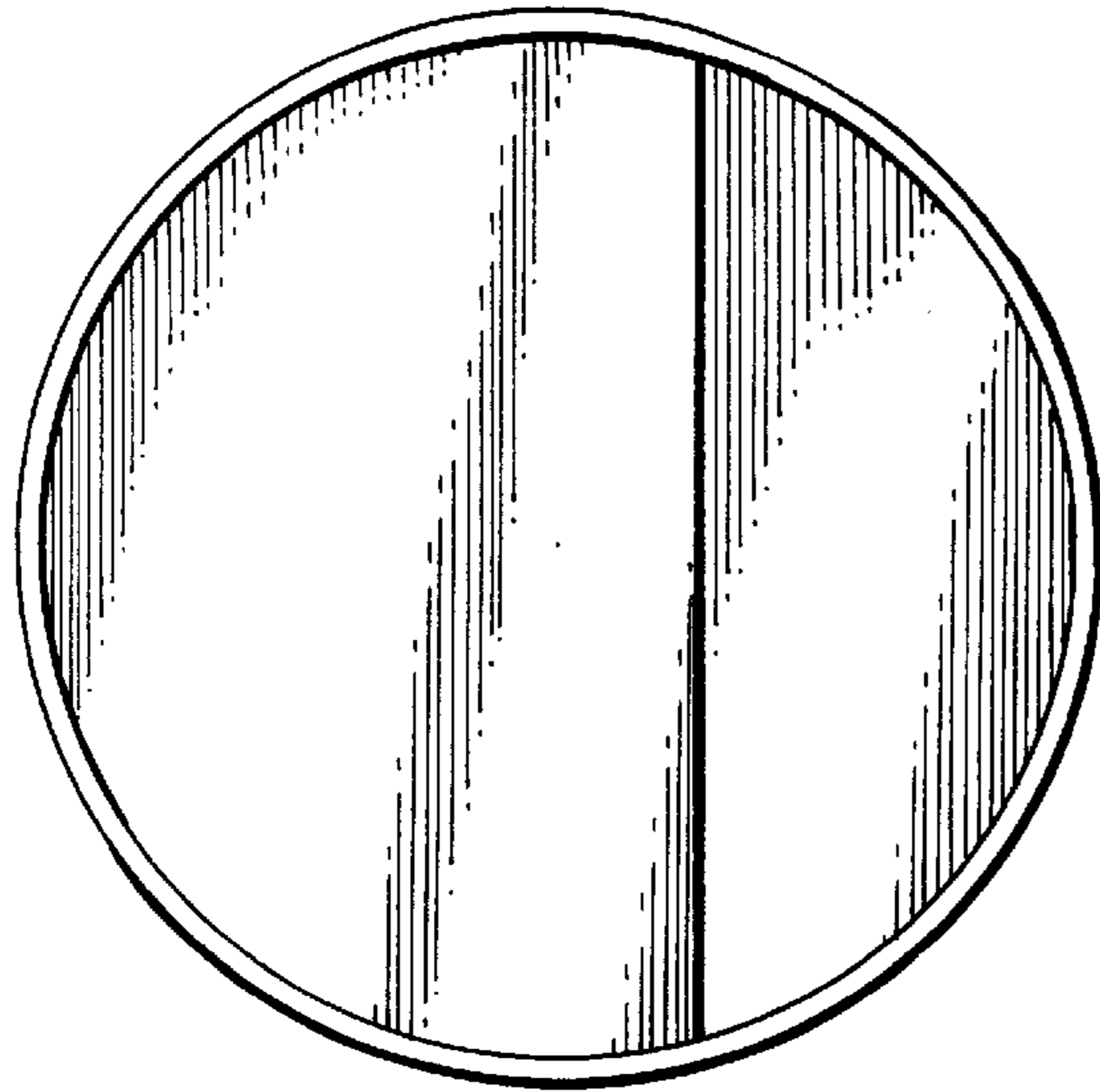


FIG. 2

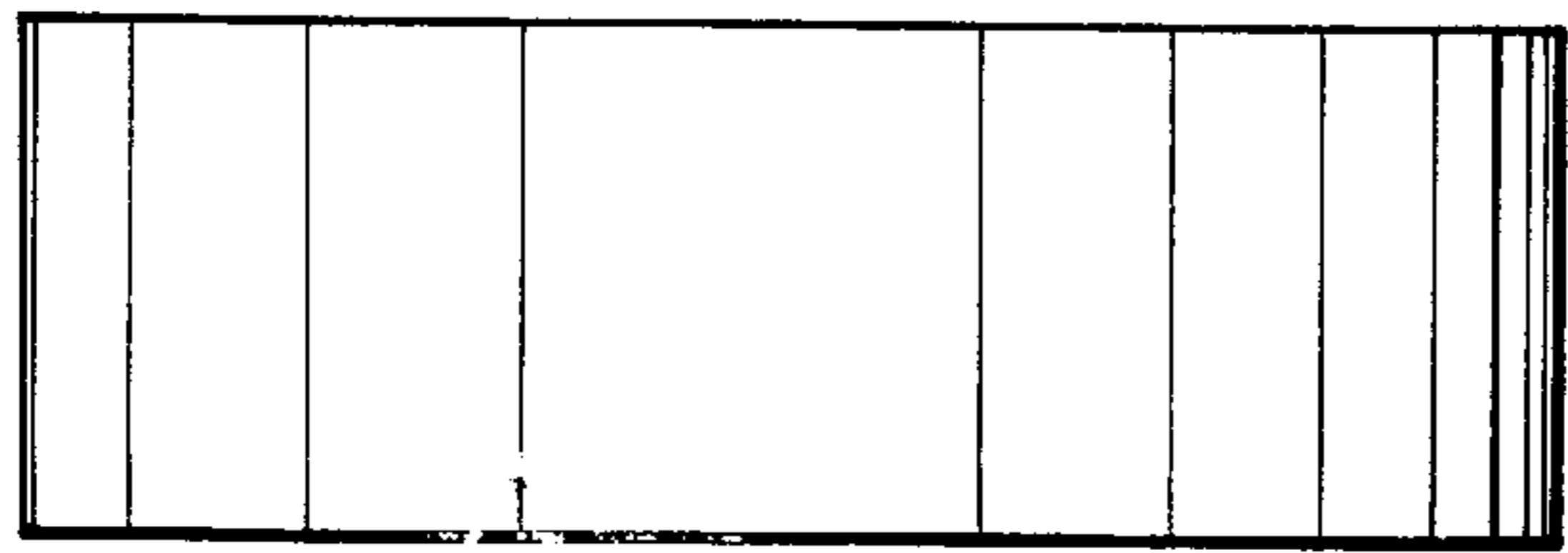
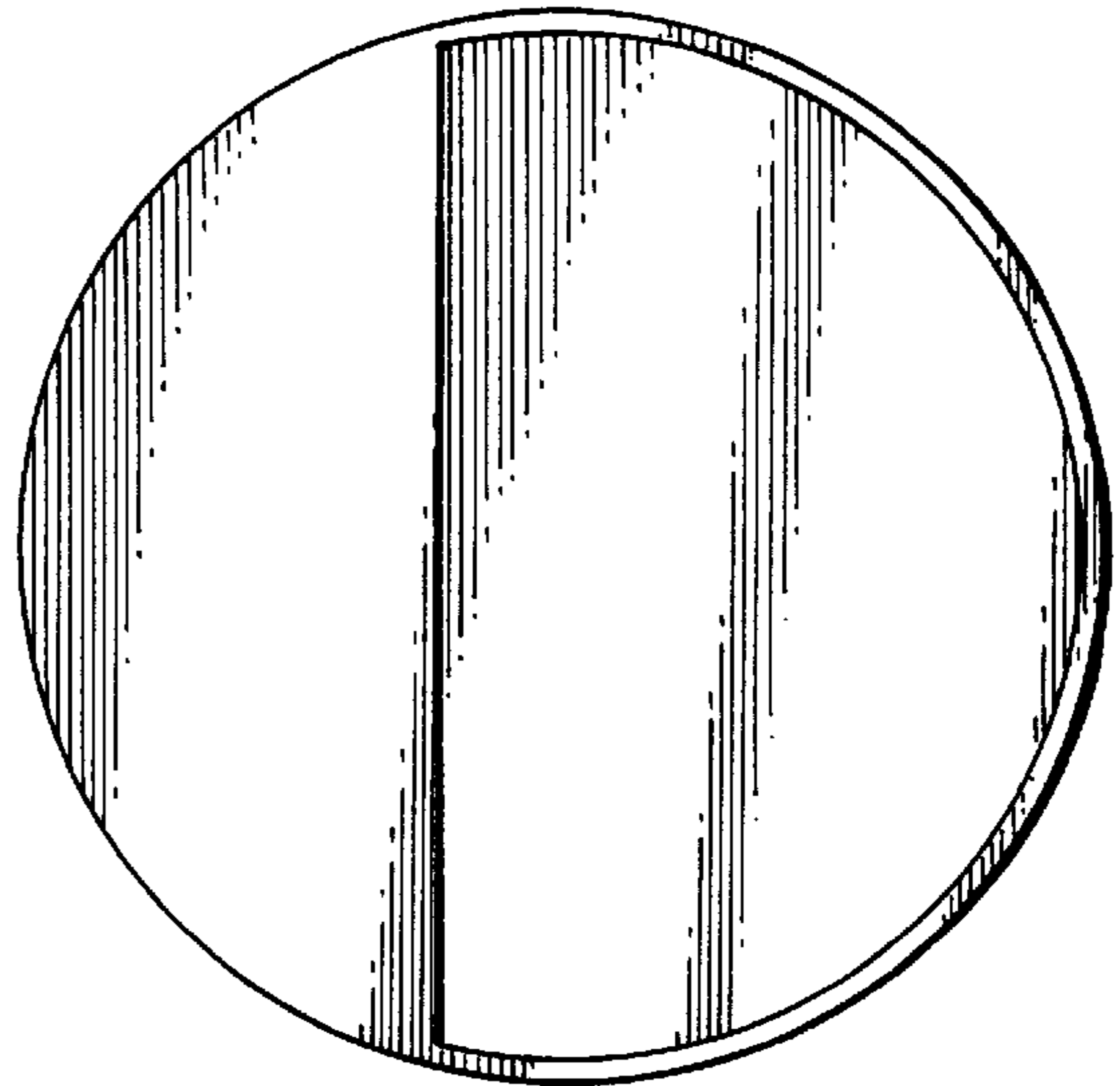


FIG. 3

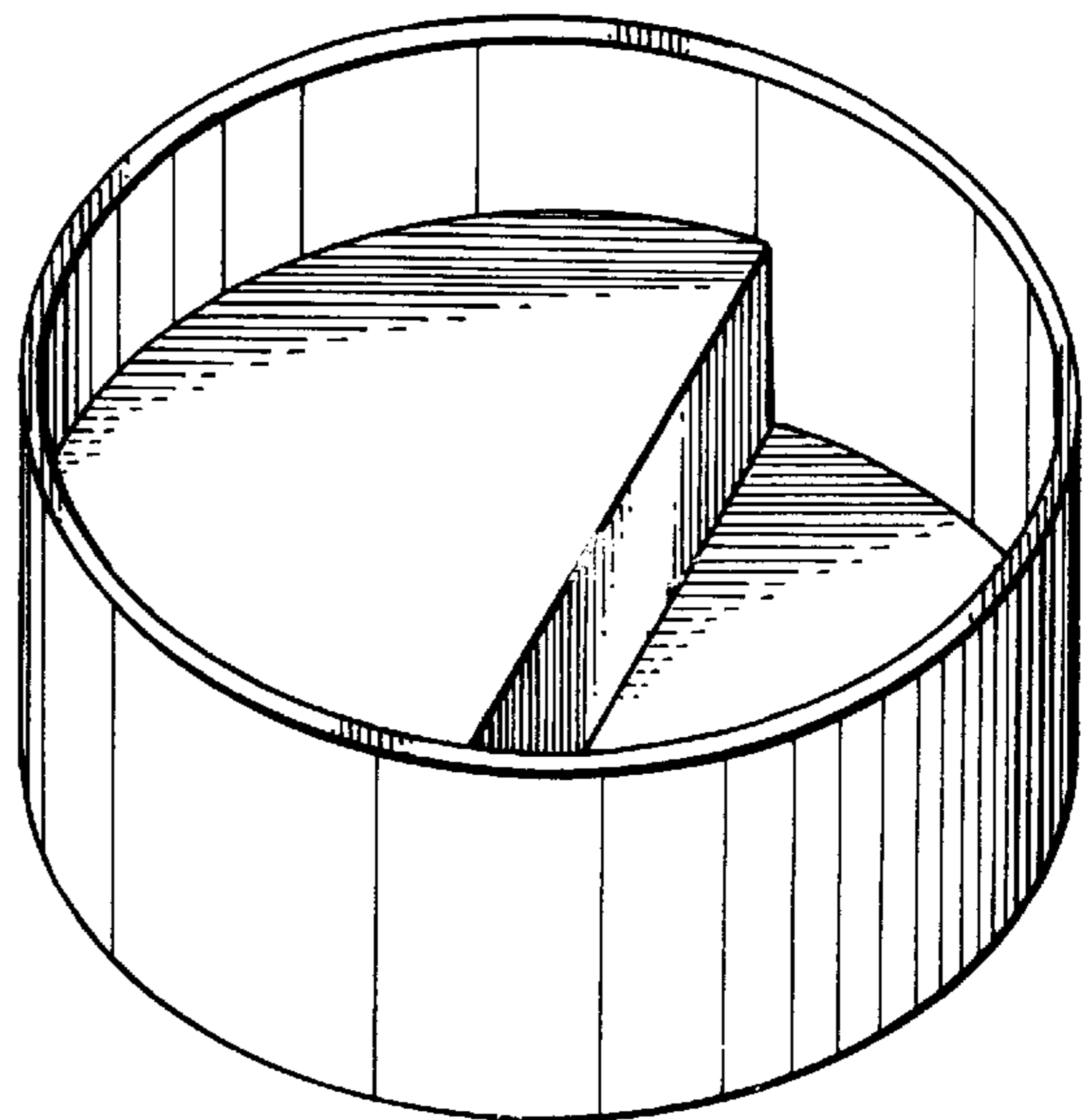


FIG. 4