



US00D413043S

# United States Patent [19]

Wagner et al.

[11] Patent Number: **Des. 413,043**

[45] Date of Patent: **\*\* Aug. 24, 1999**

[54] **SHELF FOR BARBECUE GRILL STAND**

[75] Inventors: **Wesley J. Wagner**, Columbus, Ga.; **Jeff Brant**, Dublin, Ohio

[73] Assignee: **W. C. Bradley Company**, Columbus, Ga.

[\*\*] Term: **14 Years**

[21] Appl. No.: **29/075,203**

[22] Filed: **Aug. 8, 1997**

[51] **LOC (6) Cl.** ..... **07-02**

[52] **U.S. Cl.** ..... **D7/406**

[58] **Field of Search** ..... D7/332-338, 402-404, D7/406, 409; 99/419, 421 R, 421 A, 421 HV, 421 HH, 421 TP, 421 V; 126/25 R, 25 A, 25 AA, 26, 9 B, 40, 41 R, 41 A, 41 B; D6/567, 574, 511; 108/47, 65, 69, 152, 155, 159

[56] **References Cited**

**U.S. PATENT DOCUMENTS**

- D. 298,406 11/1988 Stephen et al. .... D7/402
- D. 362,370 9/1995 Wiese ..... D7/402

- D. 375,436 11/1996 Bird et al. .... D7/403
- D. 377,734 2/1997 Bird et al. .... D7/402
- 4,331,123 5/1982 Alles ..... 126/9 R
- 4,688,541 8/1987 Stephen et al. .... D7/402
- 5,582,094 12/1996 Peterson et al. .... 99/445
- 5,666,941 9/1997 Teufel et al. .... 126/41 R
- 5,694,917 12/1997 Giebel et al. .... 126/41 R

*Primary Examiner*—Ruth McInroy  
*Attorney, Agent, or Firm*—Thomas Kayden Horstemeyer & Risley LLP

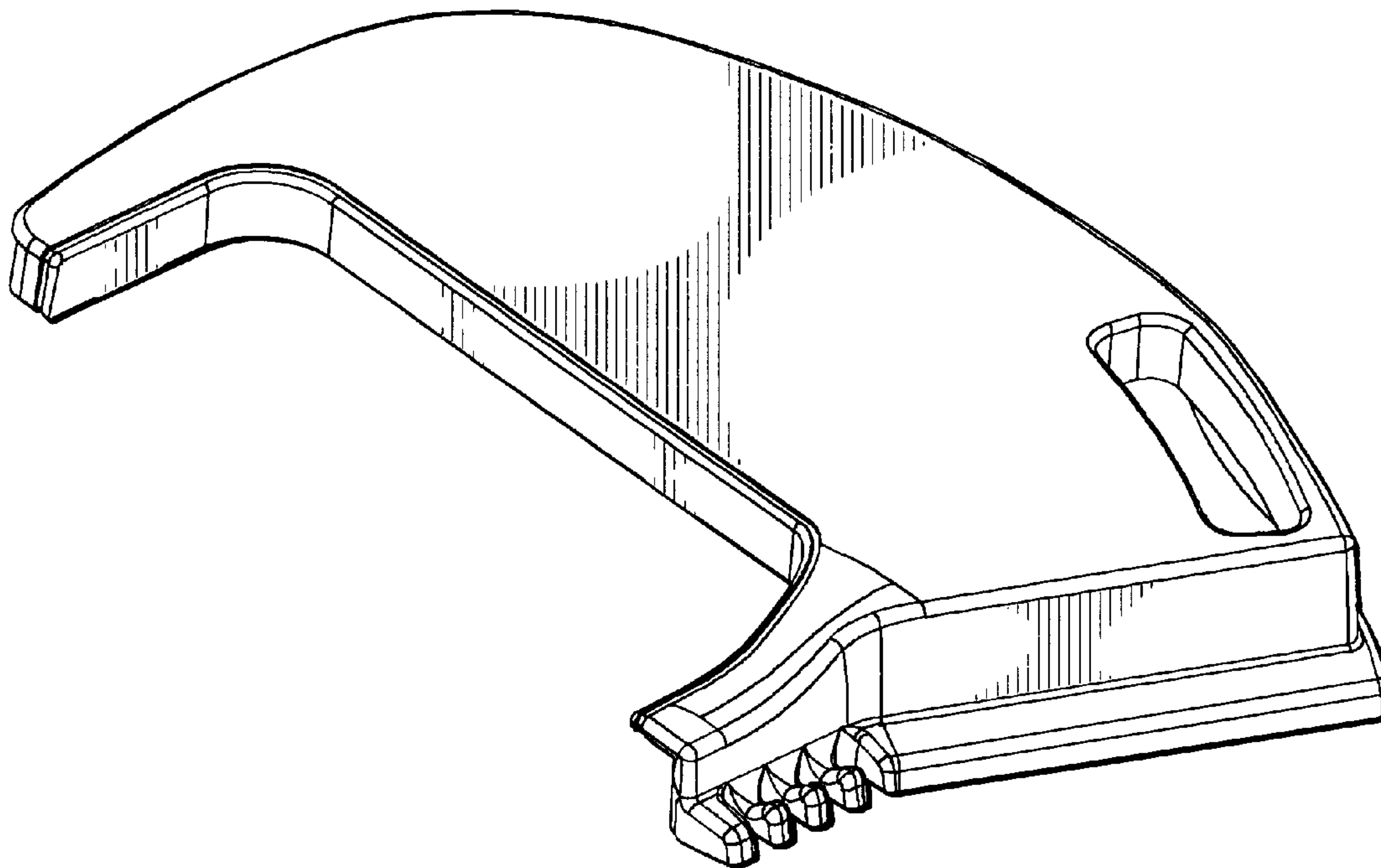
[57] **CLAIM**

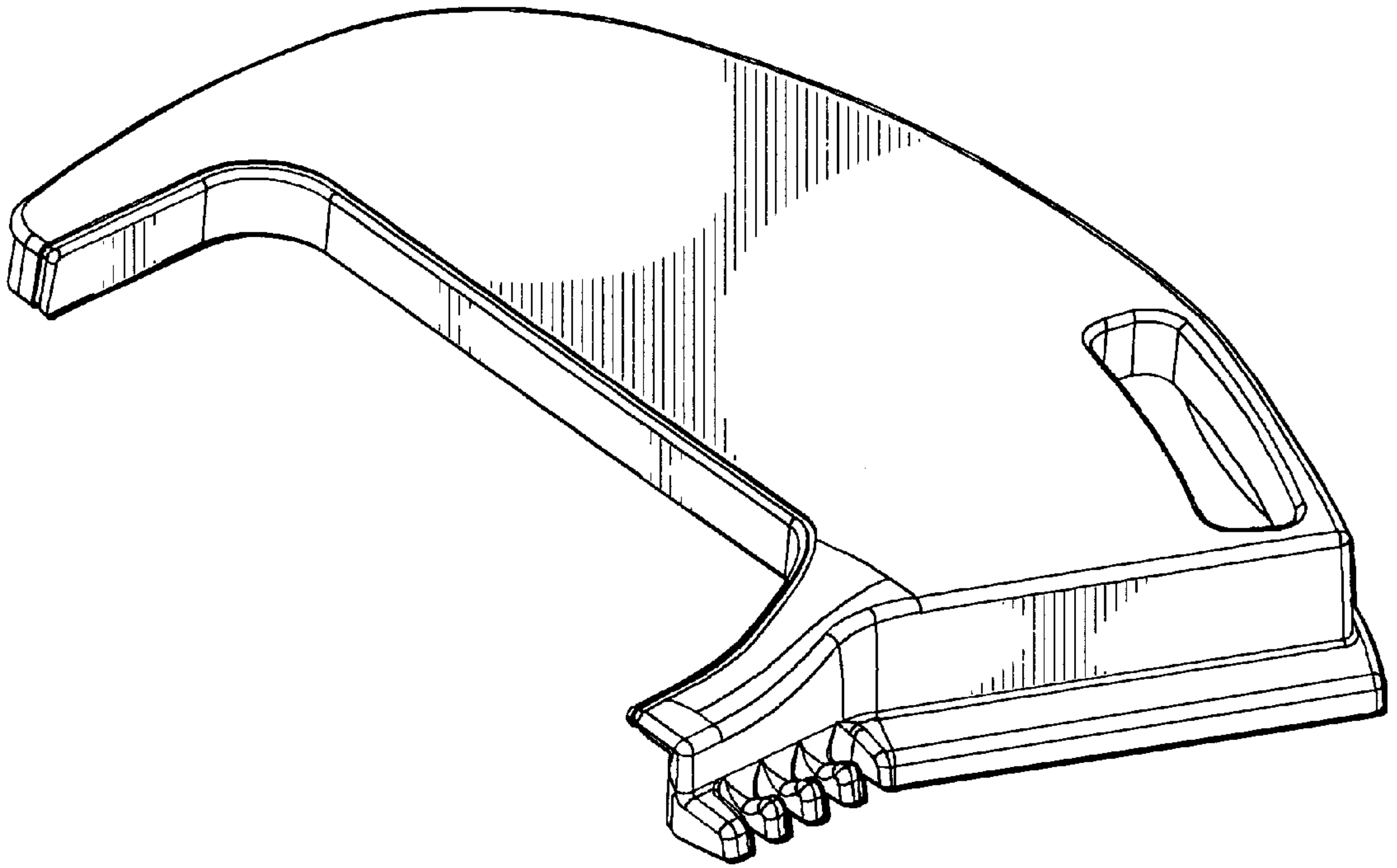
The ornamental design for a shelf for barbecue grill stand, as shown and described.

**DESCRIPTION**

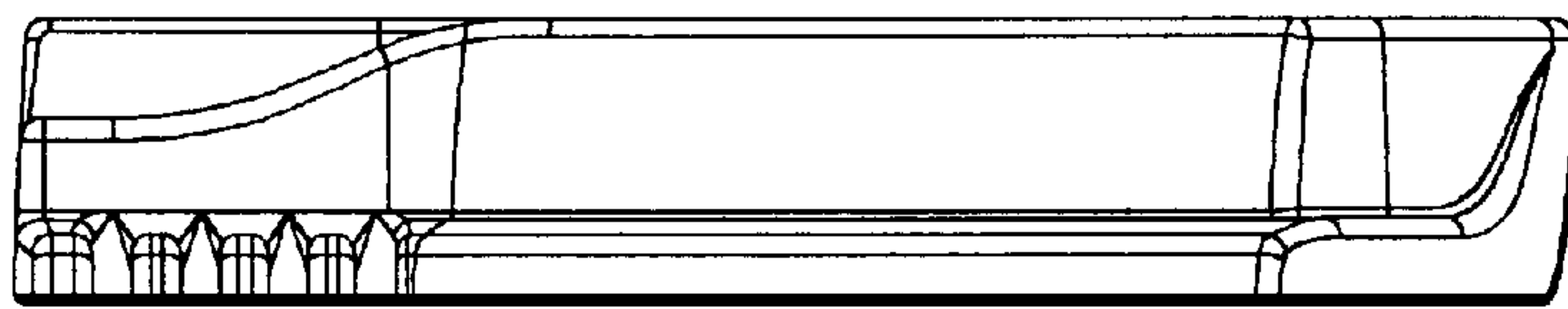
FIG. 1 is a perspective view of a shelf for barbecue grill stand showing our new design;  
FIG. 2 is a left side elevational view thereof;  
FIG. 3 is a front elevational view thereof;  
FIG. 4 is a rear elevational view thereof;  
FIG. 5 is a right side elevational view thereof;  
FIG. 6 is a top plan view thereof; and,  
FIG. 7 is a bottom plan view thereof.

**1 Claim, 3 Drawing Sheets**

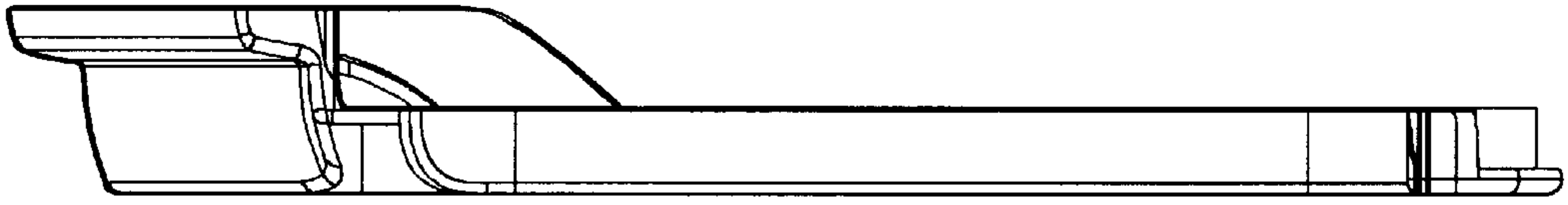




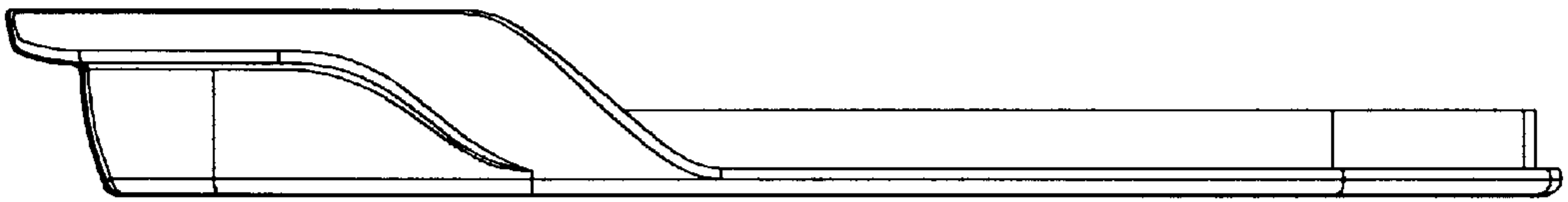
**FIG. 1**



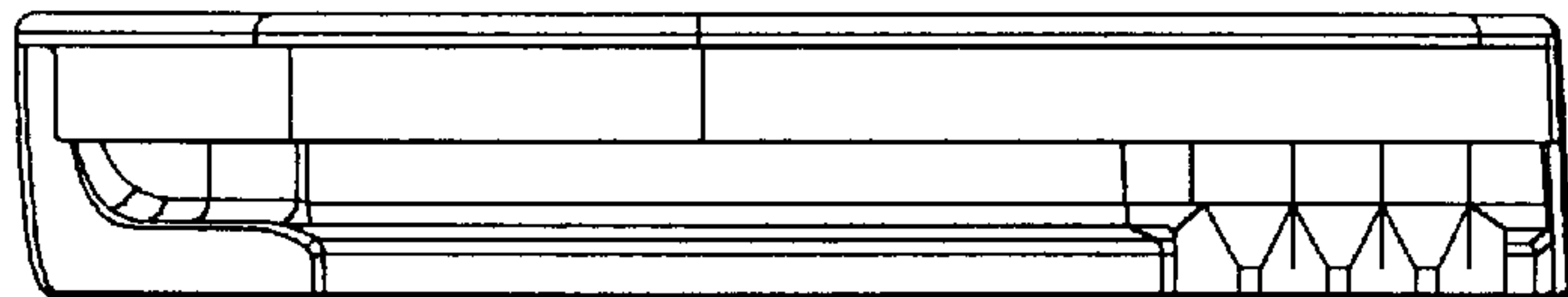
**FIG. 2**



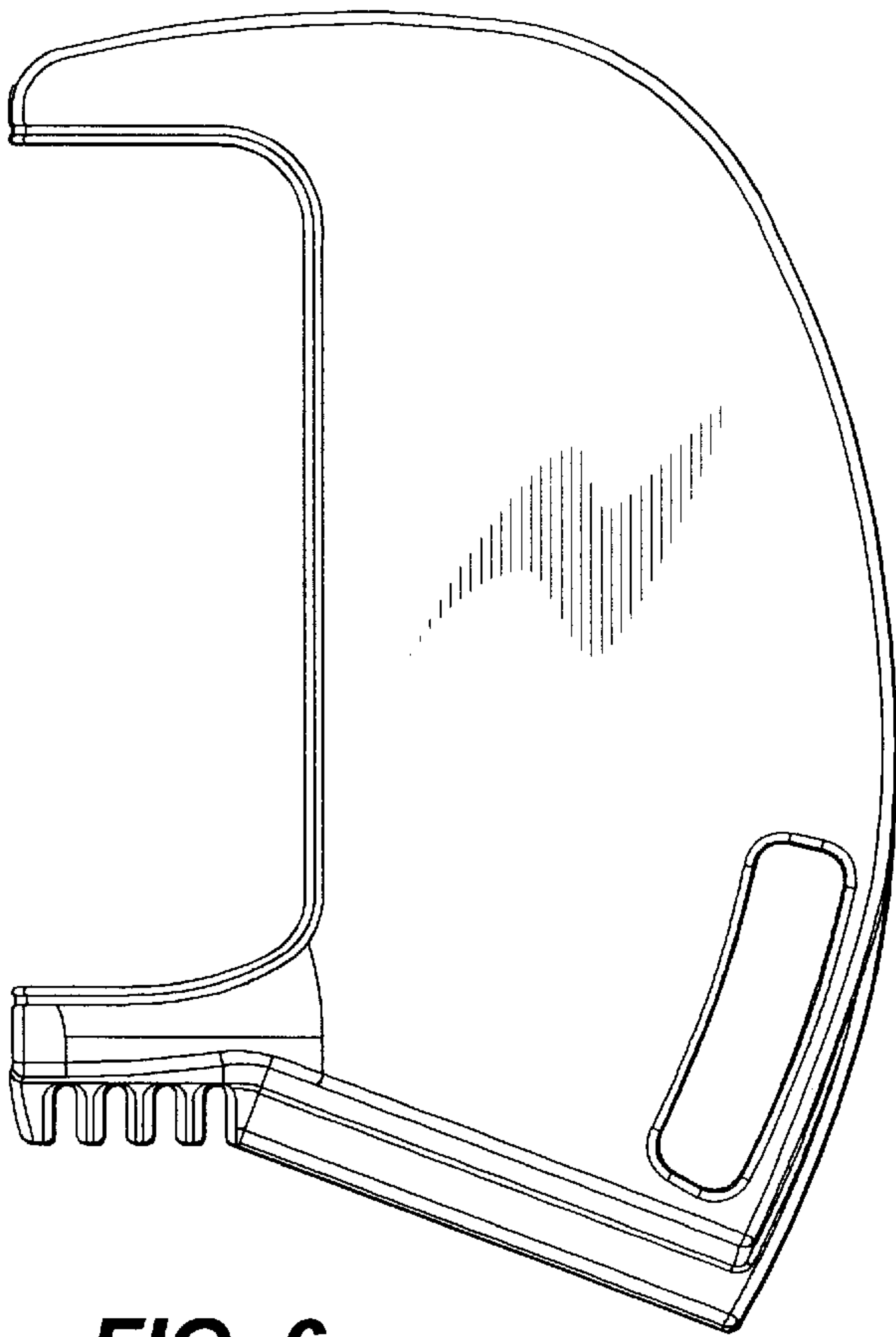
**FIG. 3**



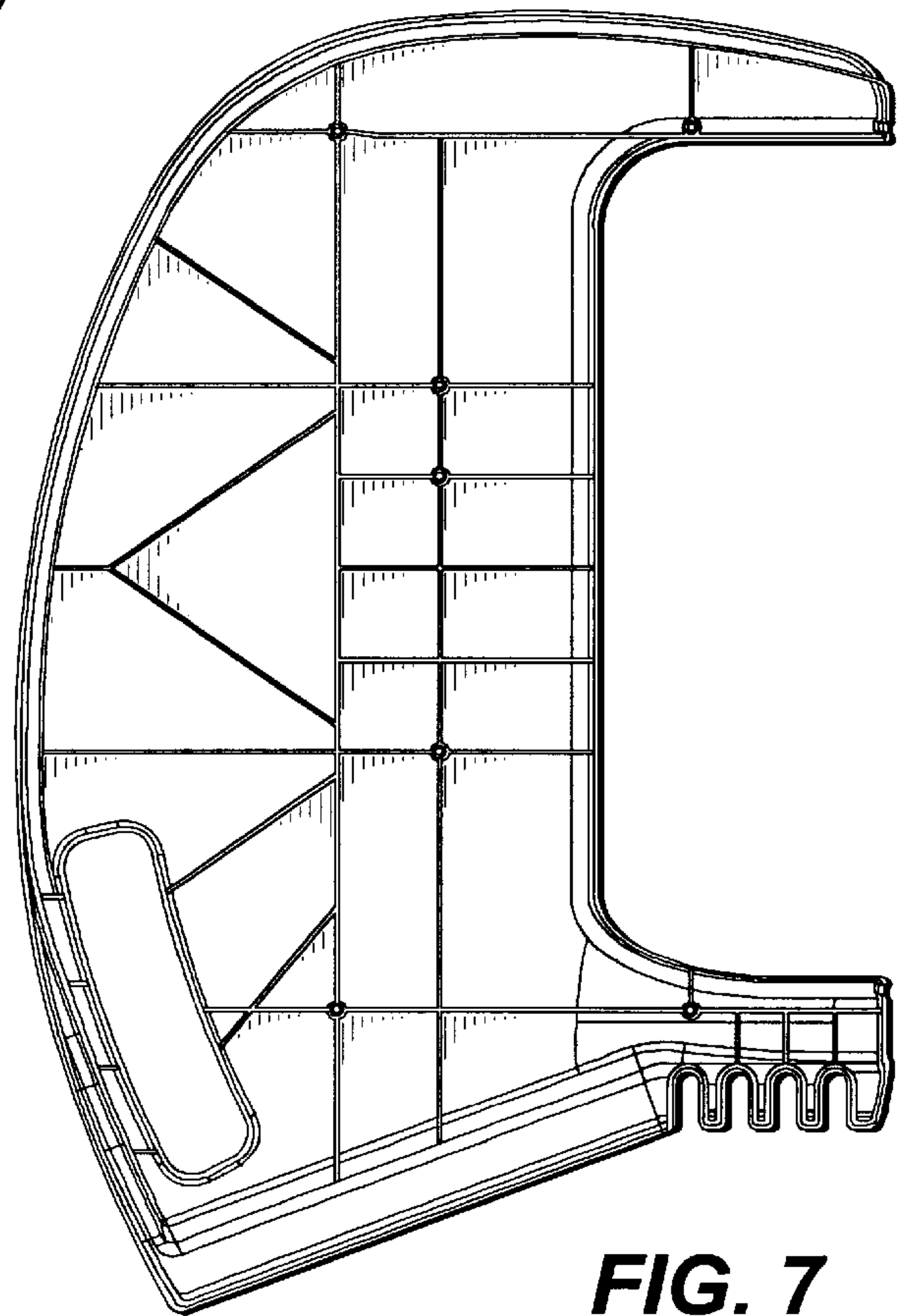
**FIG. 4**



**FIG. 5**



**FIG. 6**



**FIG. 7**